



US00D975349S

(12) **United States Design Patent** (10) **Patent No.:** **US D975,349 S**  
**Zu** (45) **Date of Patent:** **\*\* Jan. 10, 2023**

(54) **ELECTRONIC ATOMIZING DEVICE ASSEMBLY**

(71) Applicant: **Shenzhen Smoore Technology Limited**, Shenzhen (CN)

(72) Inventor: **Yue Zu**, Shenzhen (CN)

(73) Assignee: **SHENZHEN SMOORE TECHNOLOGY LIMITED**, Shenzhen (CN)

(\*\*) Term: **15 Years**

(21) Appl. No.: **29/781,241**

(22) Filed: **Apr. 28, 2021**

(30) **Foreign Application Priority Data**

Nov. 3, 2020 (CN) ..... 202030660390.1

(51) **LOC (14) Cl.** ..... **27-02**

(52) **U.S. Cl.**  
USPC ..... **D27/162**

(58) **Field of Classification Search**  
USPC ..... D27/162, 100, 101, 163–165, 172,  
D27/174–176, 183, 185–194; D24/110,  
D24/110.5  
CPC .... A24F 47/002; A24F 47/006; A24F 47/008;  
A61M 15/00; A61M 15/06  
See application file for complete search history.

(56) **References Cited**

**U.S. PATENT DOCUMENTS**

D846,796 S \* 4/2019 Pan ..... D27/101  
D875,303 S \* 2/2020 Pan ..... D27/162  
D880,053 S \* 3/2020 Han ..... D27/162  
D881,460 S \* 4/2020 Han ..... D27/162

(Continued)

*Primary Examiner* — Rebecca Tsehaye

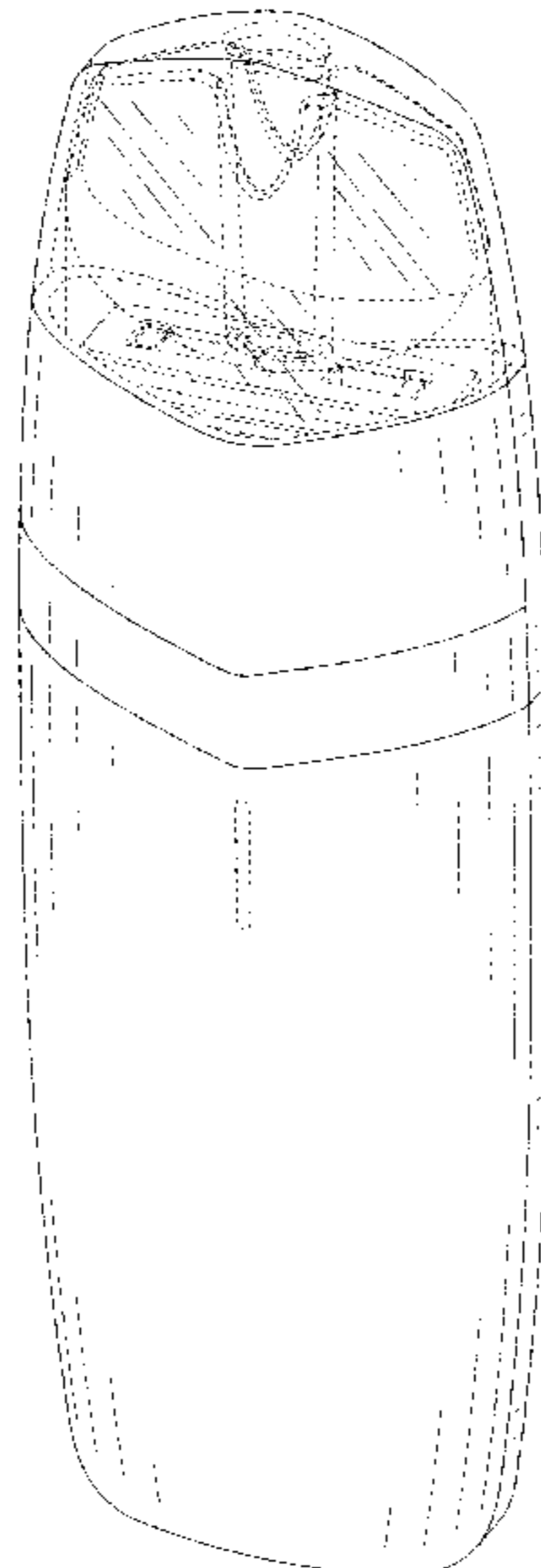
(57) **CLAIM**

The ornamental design for an electronic atomizing device assembly, as shown and described.

**DESCRIPTION**

FIG. 1 is a perspective view of an electronic atomizing device assembly showing my new design; FIG. 2 is another perspective view thereof; FIG. 3 is a front elevational view thereof; FIG. 4 is a rear elevational view thereof; FIG. 5 is a left side elevational view thereof; FIG. 6 is a right side elevational view thereof; FIG. 7 is an enlarged top plan view thereof; FIG. 8 is an enlarged bottom plan view thereof; FIG. 9 is a perspective view of an electronic atomizing device assembly shown with a first component removed from the assembly in FIGS. 1-8 for clarity of disclosure; FIG. 10 is another perspective view thereof; FIG. 11 is a front elevational view thereof; FIG. 12 is a rear elevational view thereof; FIG. 13 is a left side elevational view thereof; FIG. 14 is a right side elevational view thereof; FIG. 15 is a top plan view thereof; FIG. 16 is a bottom plan view thereof; FIG. 17 is a perspective view of an electronic atomizing device assembly shown with a second component removed from the assembly in FIGS. 1-8 for clarity of disclosure. FIG. 18 is another perspective view thereof; FIG. 19 is a front elevational view thereof; FIG. 20 is an enlarged rear elevational view thereof; FIG. 21 is a left side elevational view thereof; FIG. 22 is a right side elevational view thereof; FIG. 23 is an enlarged top plan view thereof; and, FIG. 24 is an enlarged bottom plan view thereof. The dash-dash lines in the drawings depict portions of the electronic atomizing device assembly that form no part of the claimed design. Oblique lines on the surfaces of the electronic atomizing device assembly indicate that those surfaces are transparent.

**1 Claim, 24 Drawing Sheets**



(56)

**References Cited**

## U.S. PATENT DOCUMENTS

D901,067	S	*	11/2020	Powell	.....	D27/101
D908,279	S	*	1/2021	Li	.....	D27/162
D914,277	S	*	3/2021	Han	.....	D27/162
D918,466	S	*	5/2021	Yan	.....	D27/162
D919,172	S	*	5/2021	Zu	.....	D27/162
D919,879	S	*	5/2021	Han	.....	D27/162
D921,283	S	*	6/2021	Laidlaw	.....	D27/162
D927,772	S	*	8/2021	Han	.....	D27/162
D929,649	S	*	8/2021	Wang	.....	D27/162
D929,651	S	*	8/2021	Powell	.....	D27/162
D930,234	S	*	9/2021	Wang	.....	D27/162
D930,235	S	*	9/2021	Liu	.....	D27/162
D936,896	S	*	11/2021	Farrow	.....	D27/162
D937,476	S	*	11/2021	Zu	.....	D27/162
D940,951	S	*	1/2022	Ding	.....	D27/162
D948,108	S	*	4/2022	He	.....	D27/162
D948,782	S	*	4/2022	Zhang	.....	D27/162
D949,462	S	*	4/2022	Wang	.....	D27/162
D950,150	S	*	4/2022	Ding	.....	D27/167
D959,733	S	*	8/2022	Powell	.....	D27/162
D965,860	S	*	10/2022	Sun	.....	D27/162

\* cited by examiner

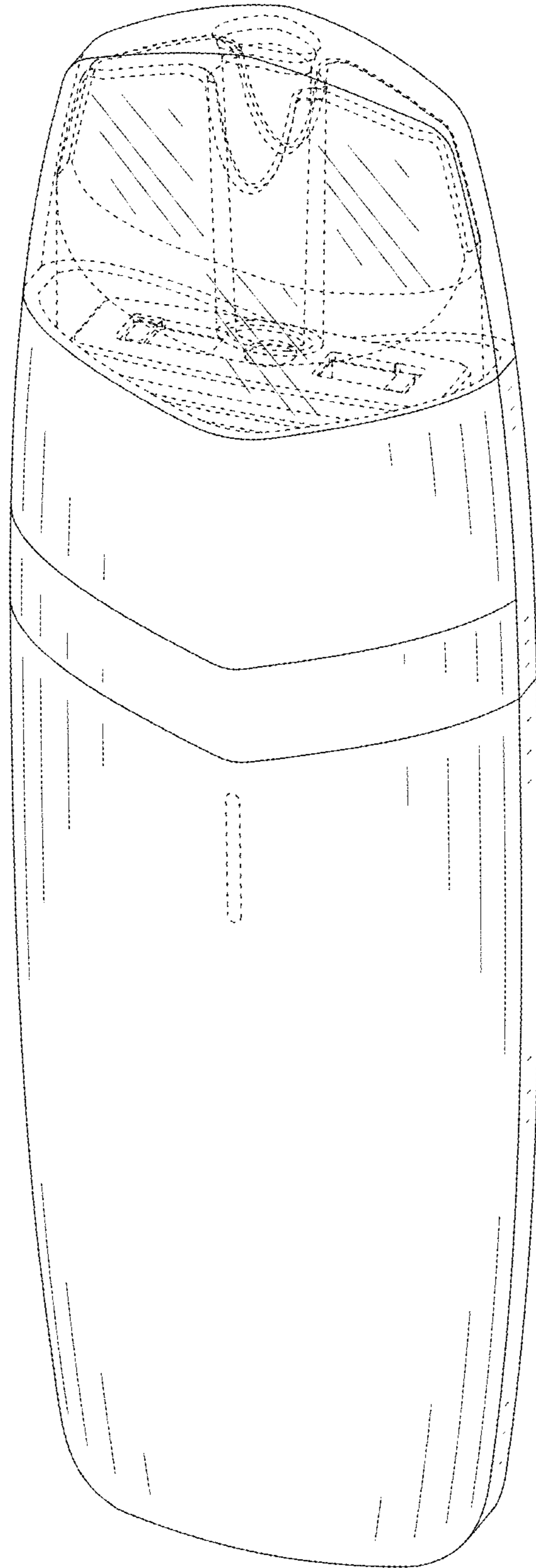


FIG. 1

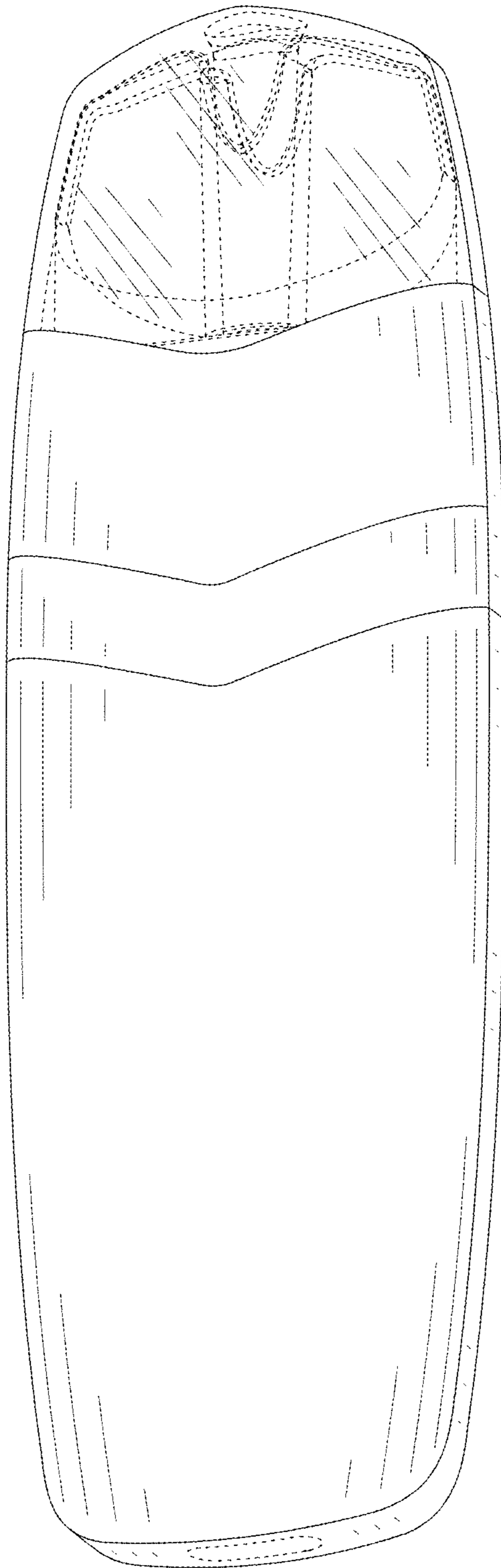


FIG. 2

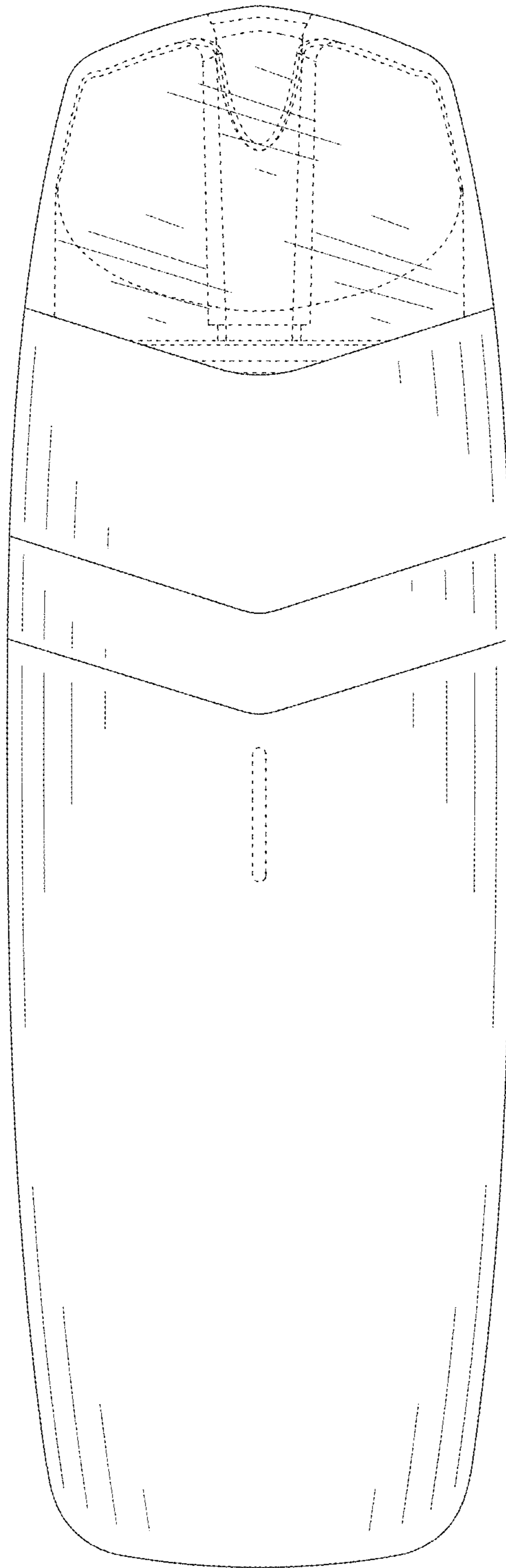


FIG. 3

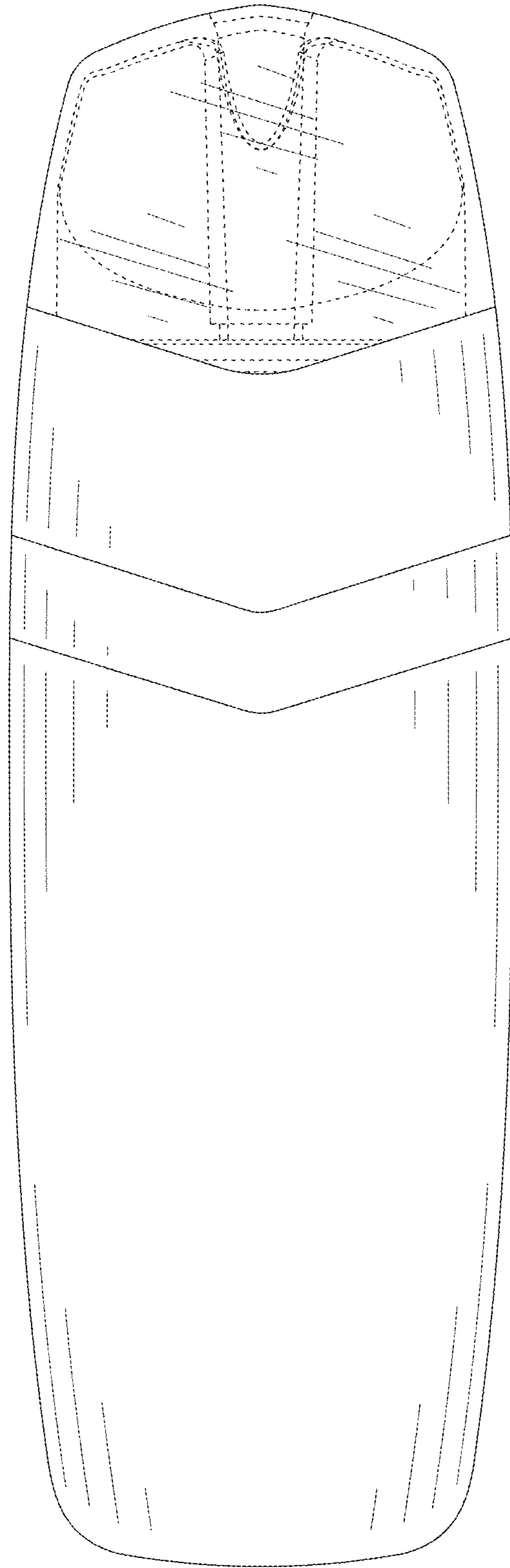


FIG. 4

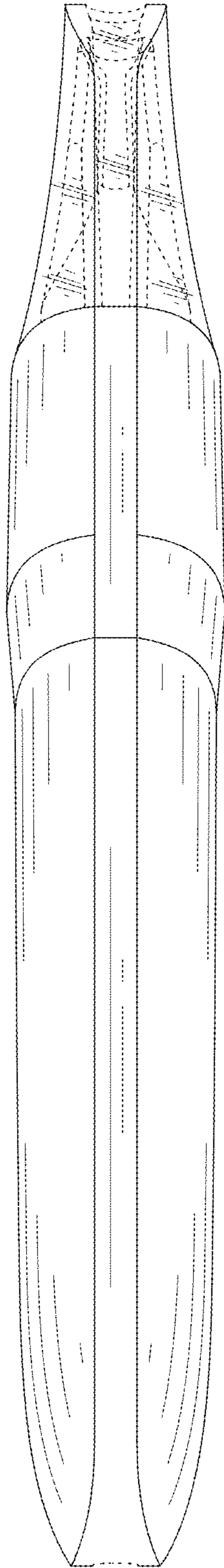


FIG. 5

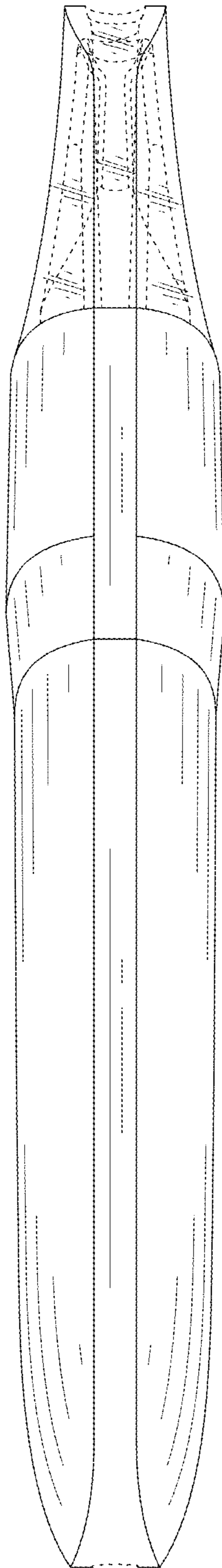


FIG. 6



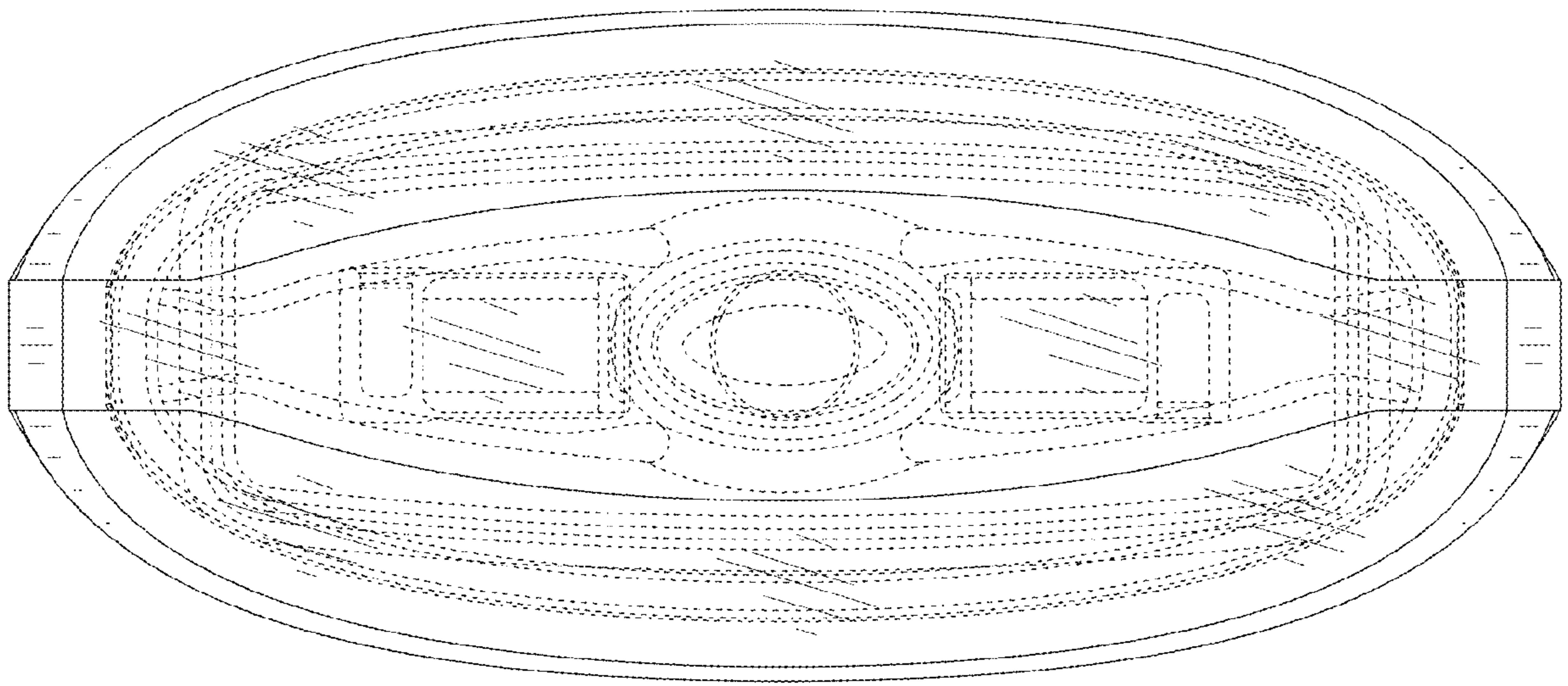


FIG. 7

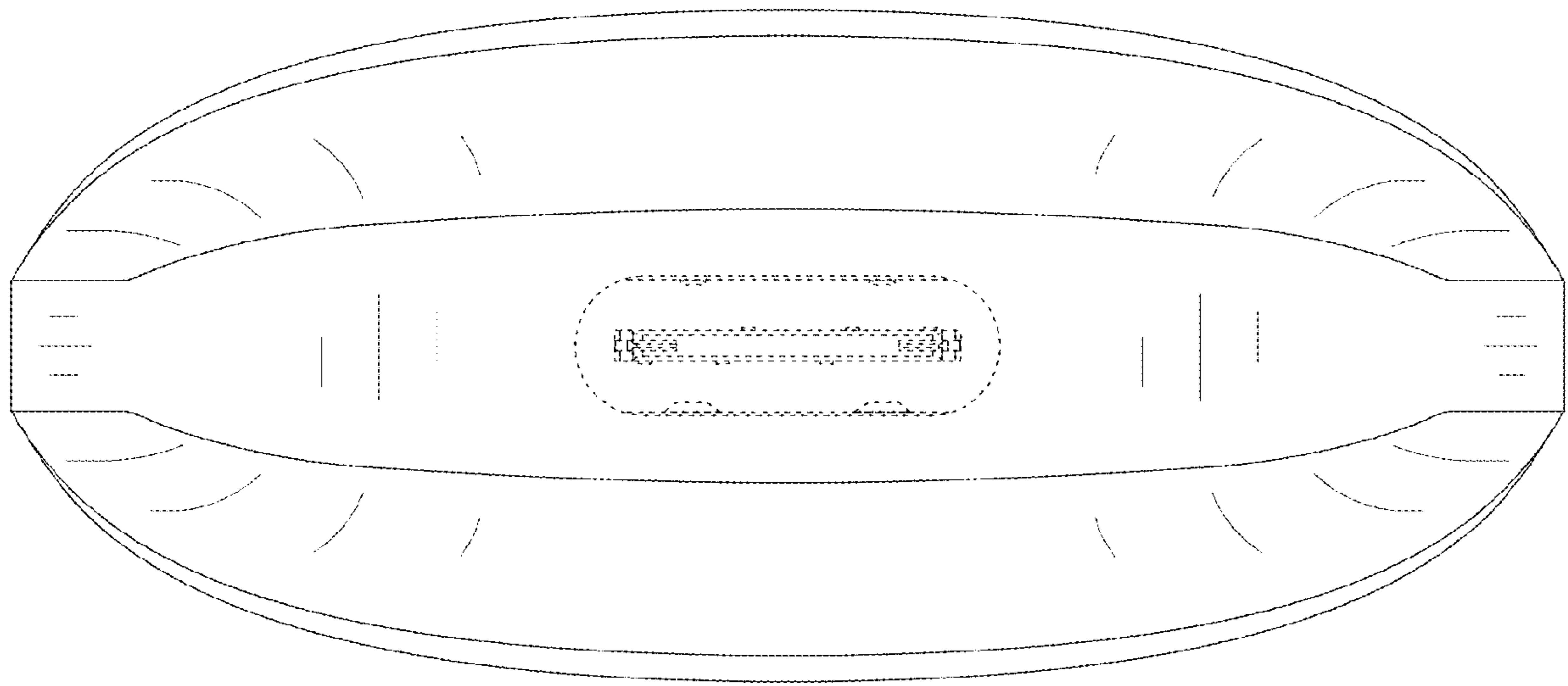


FIG. 8

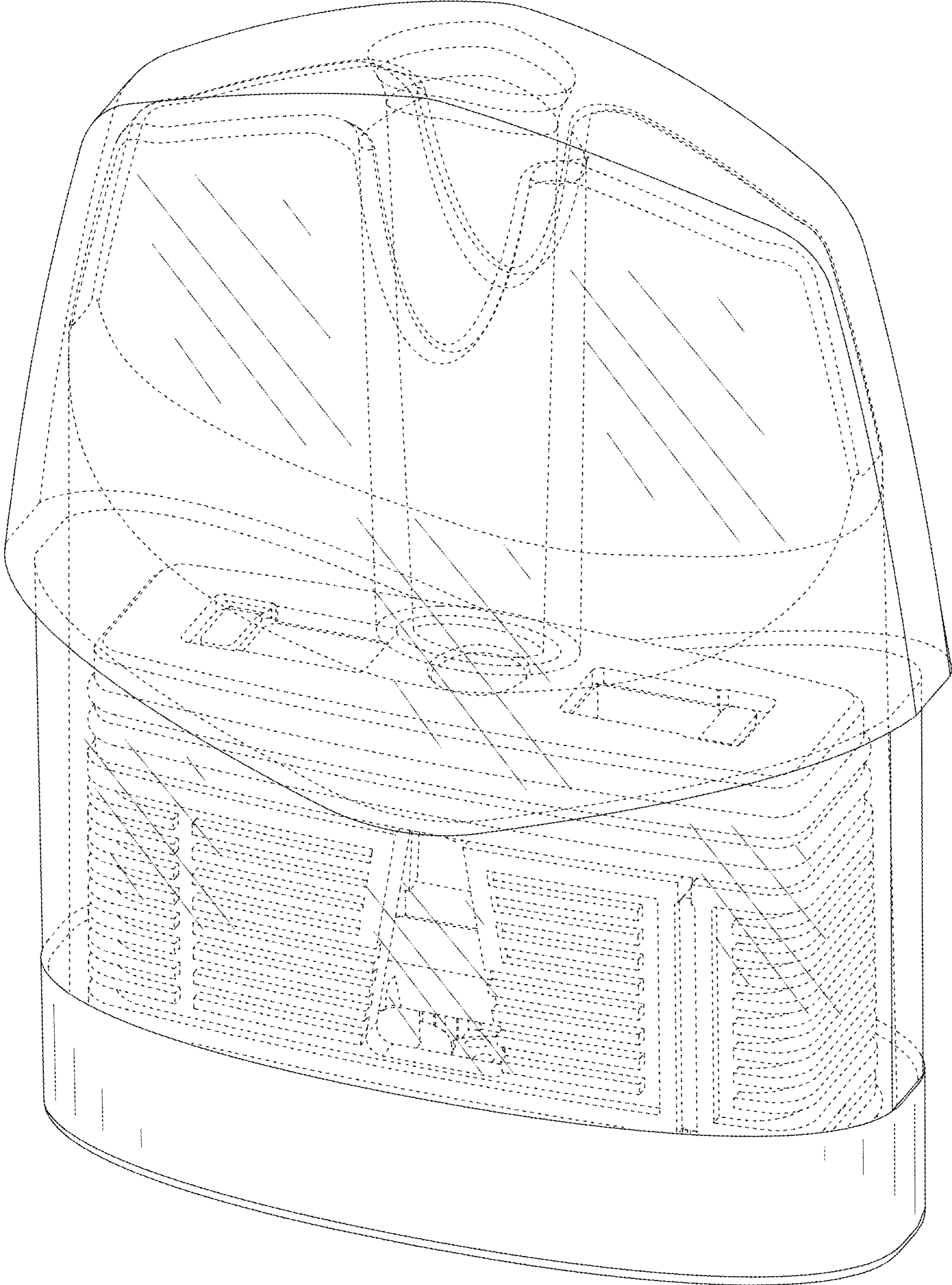


FIG. 9

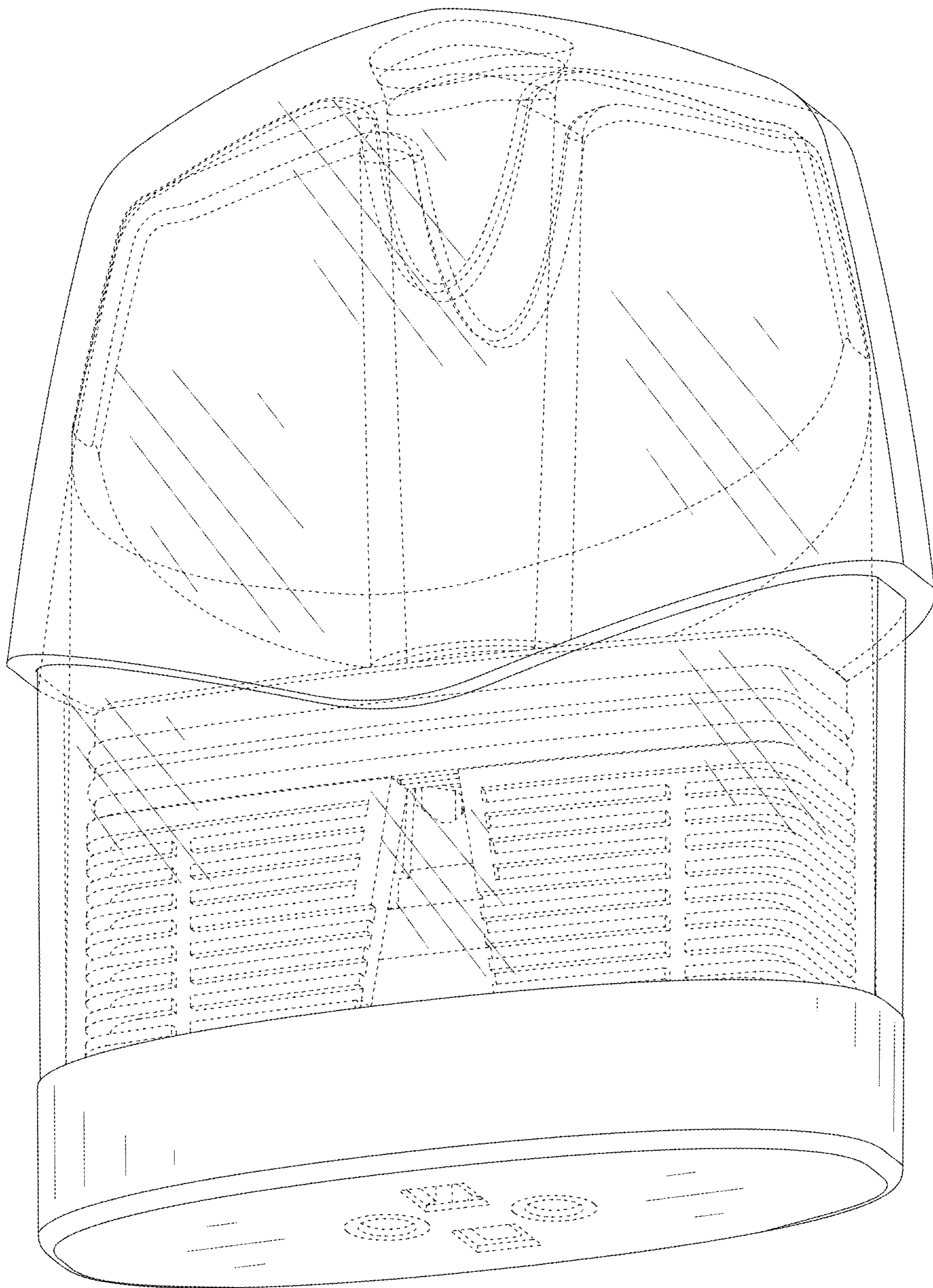


FIG. 10

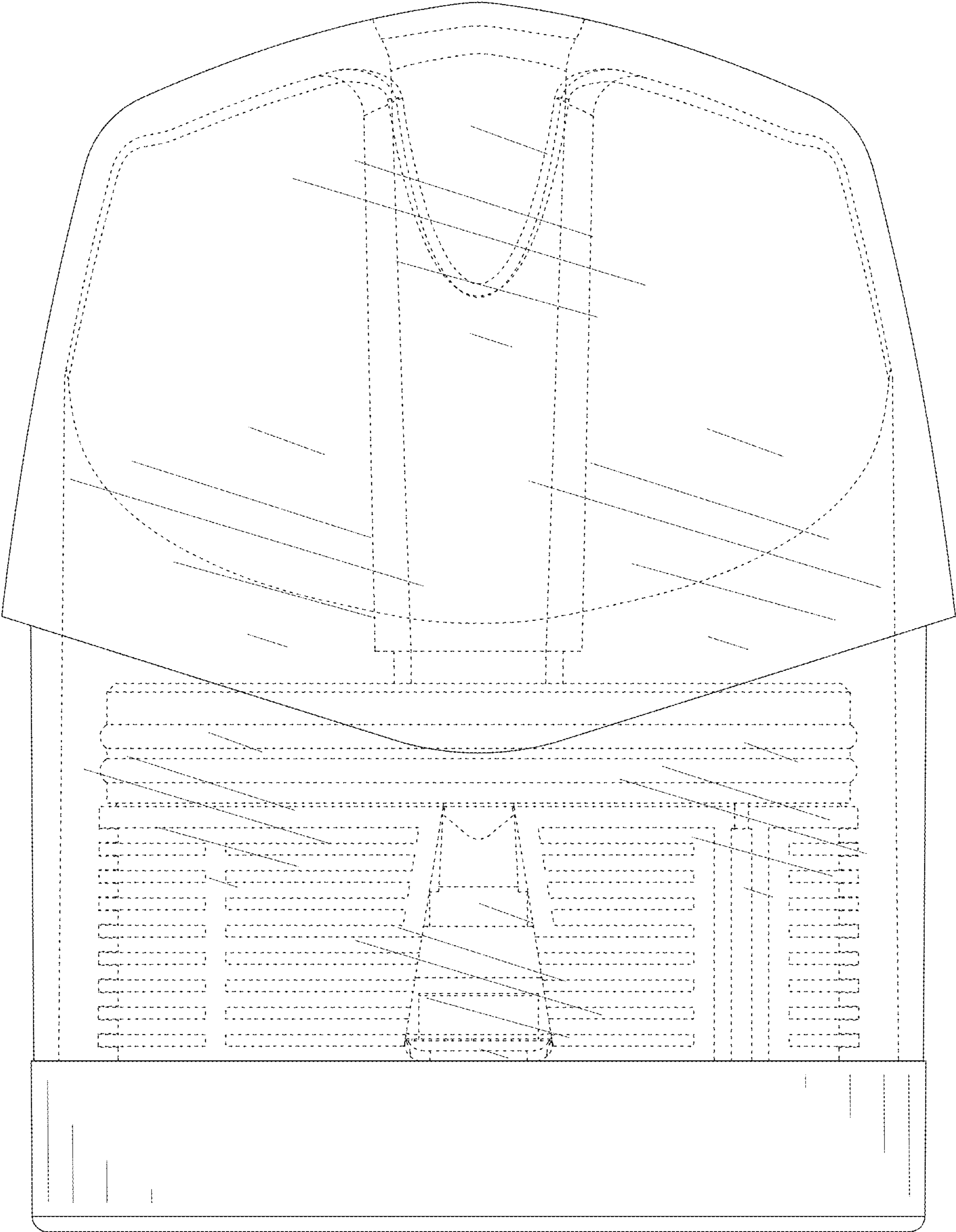


FIG. 11

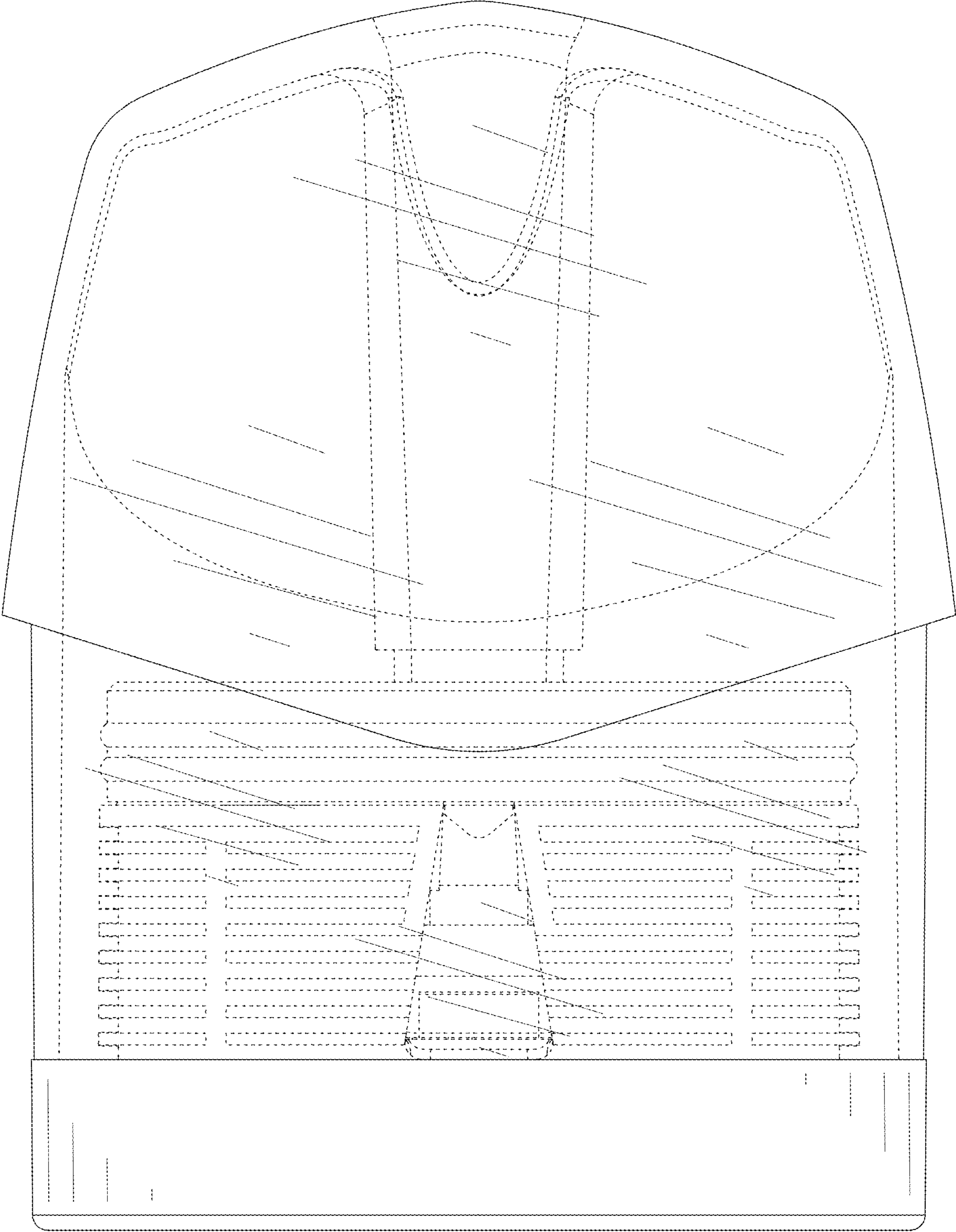


FIG. 12

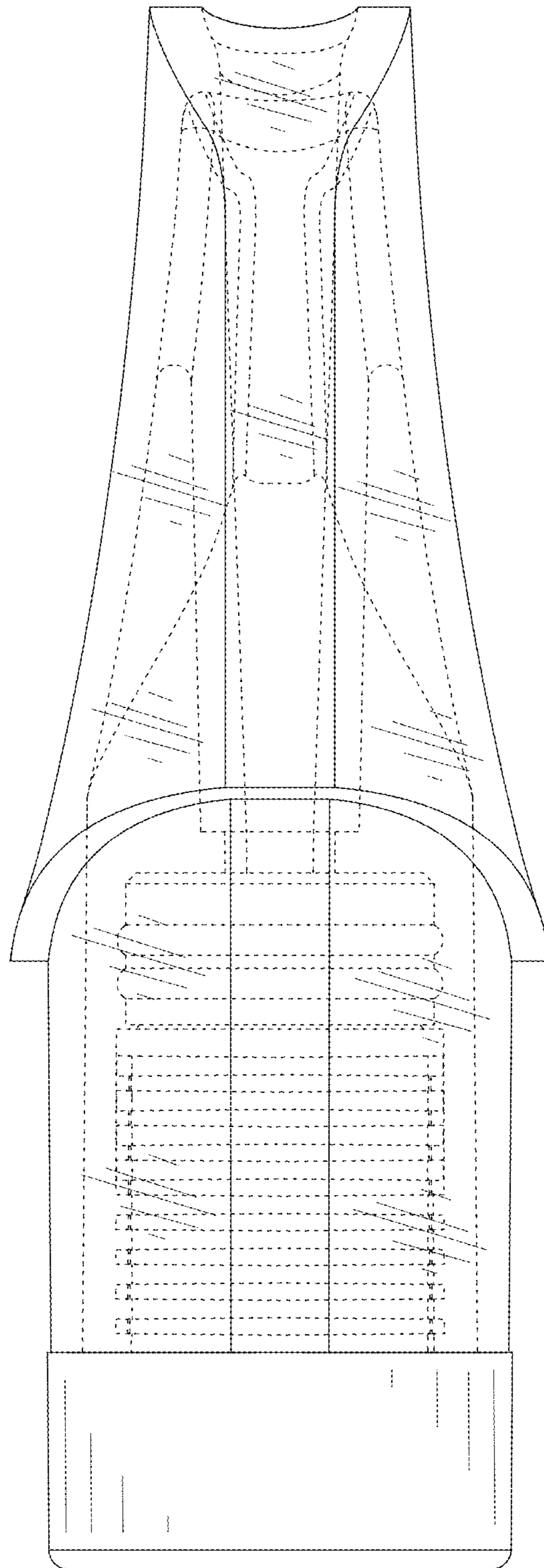


FIG. 13

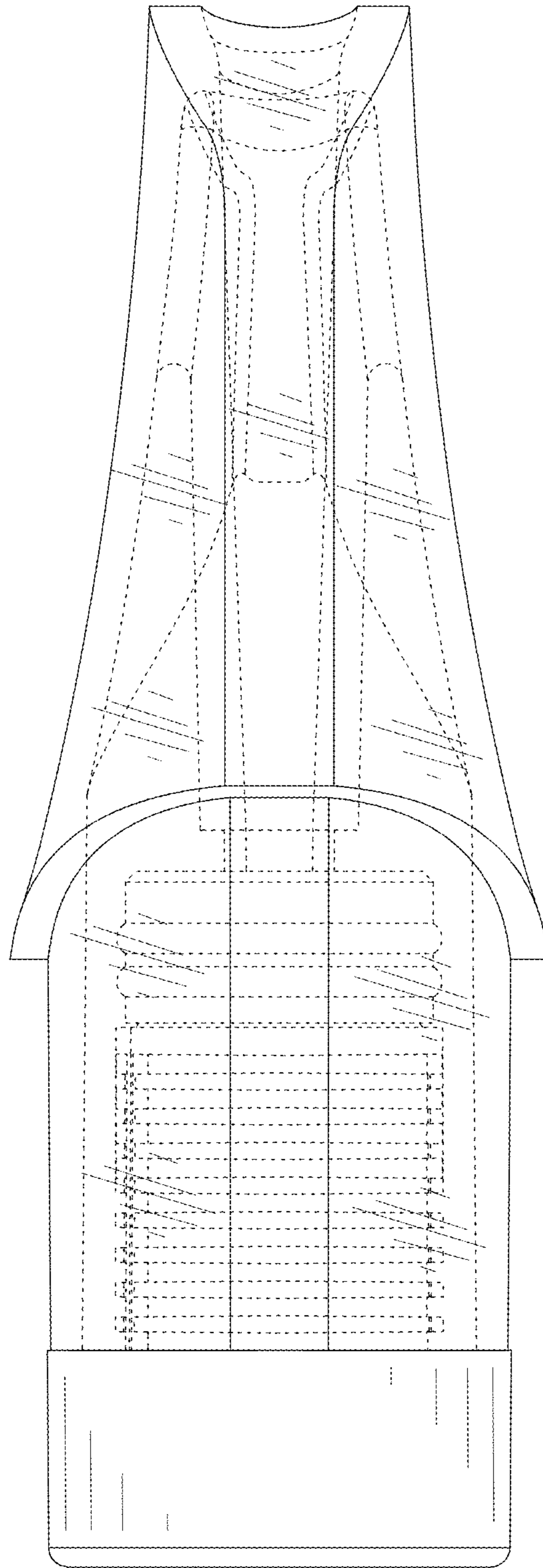


FIG. 14



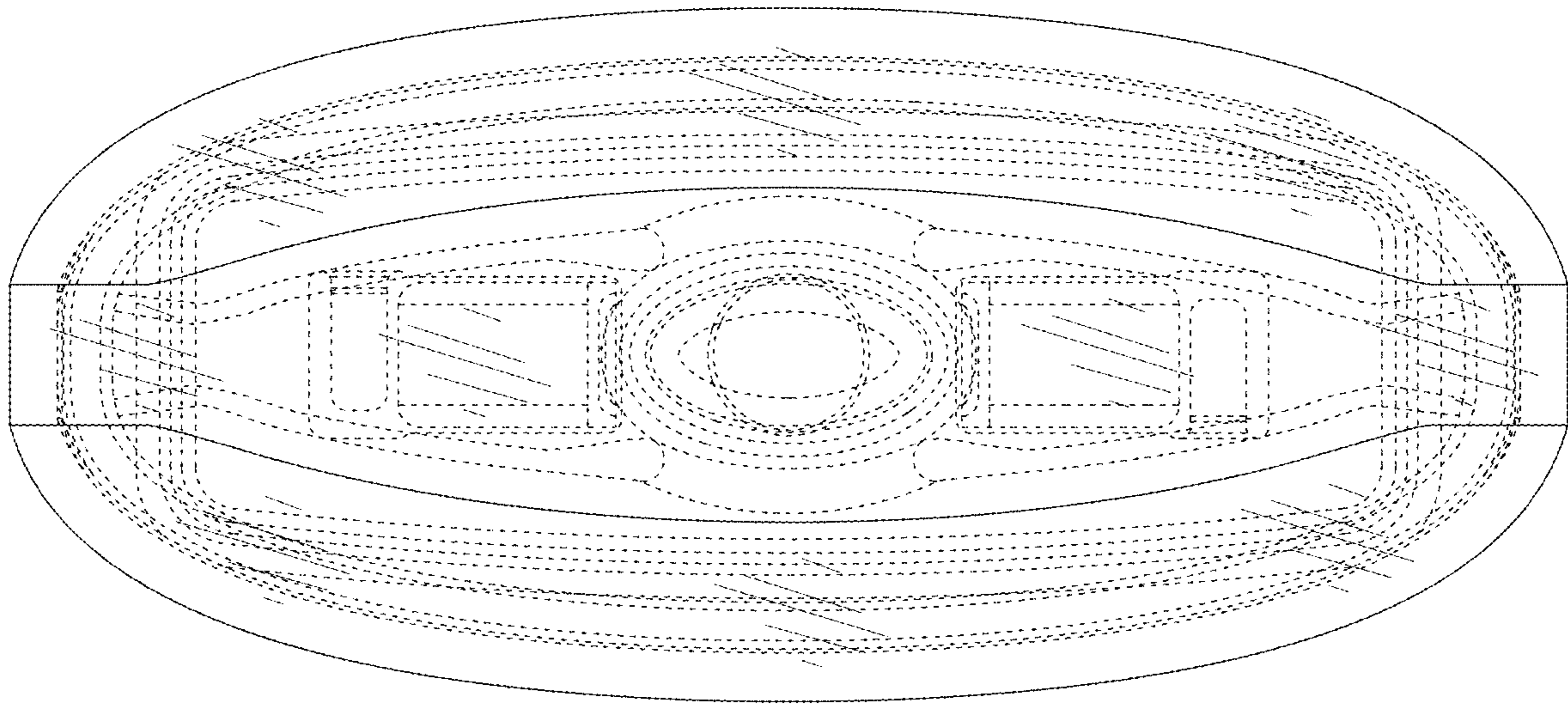


FIG. 15

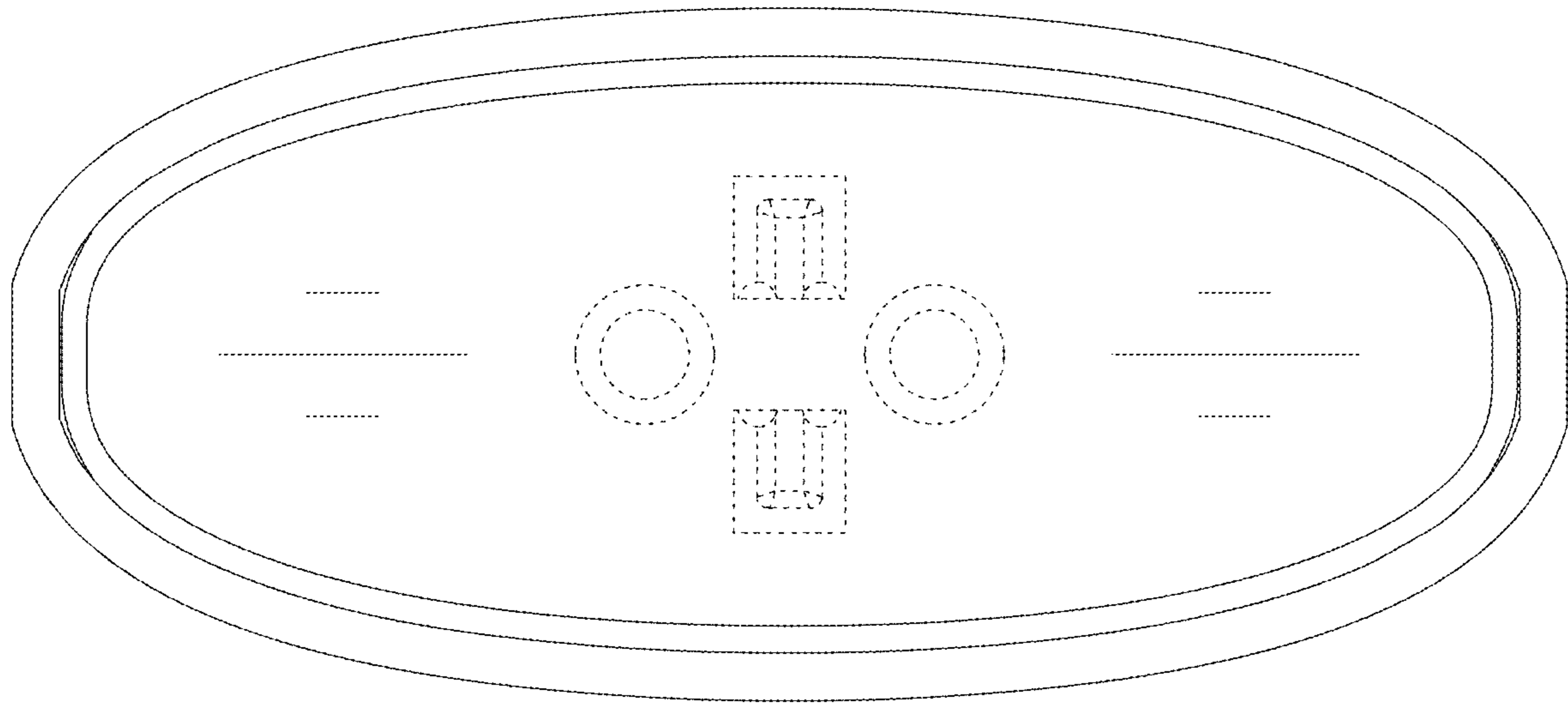


FIG. 16

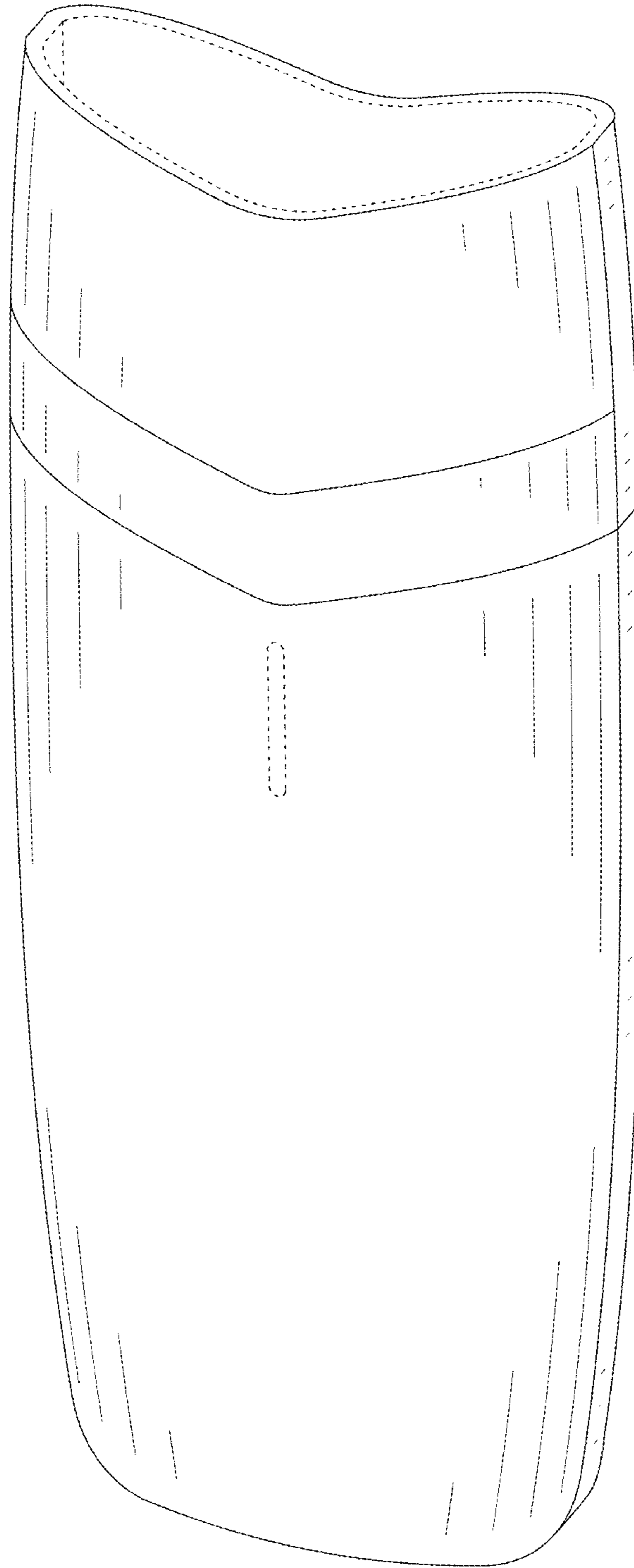


FIG. 17

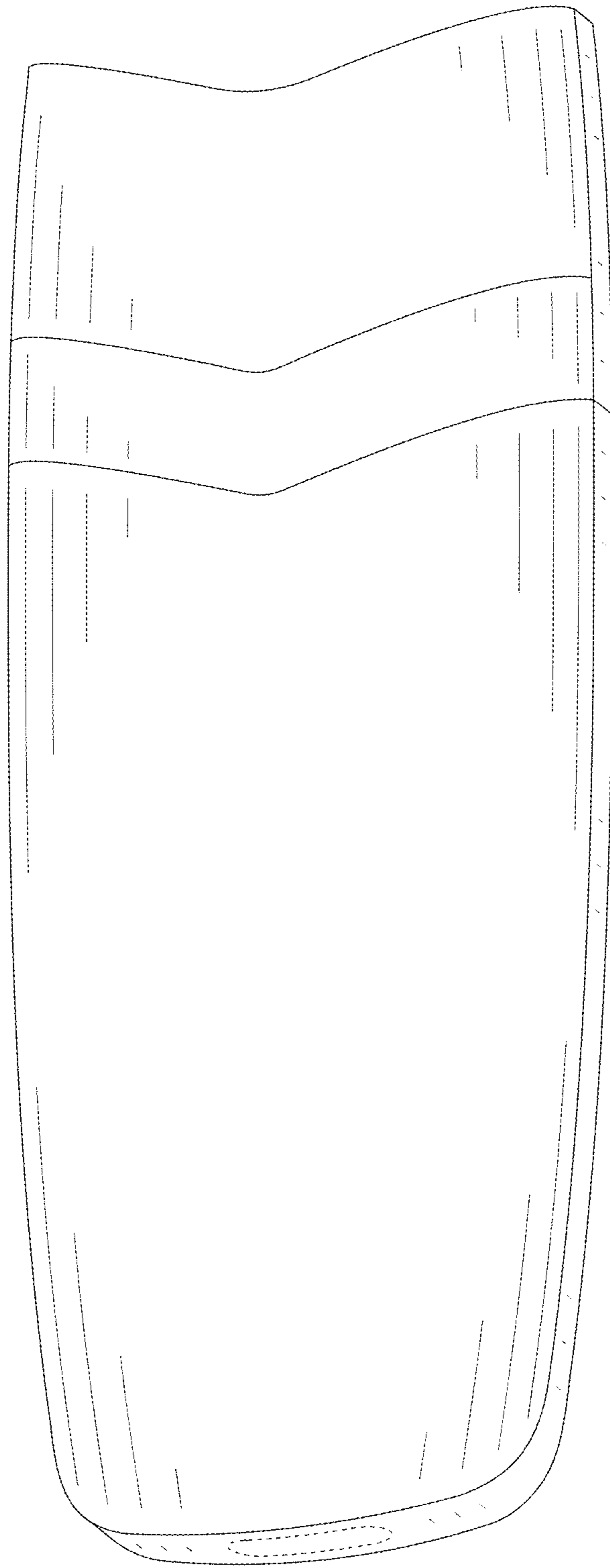


FIG. 18

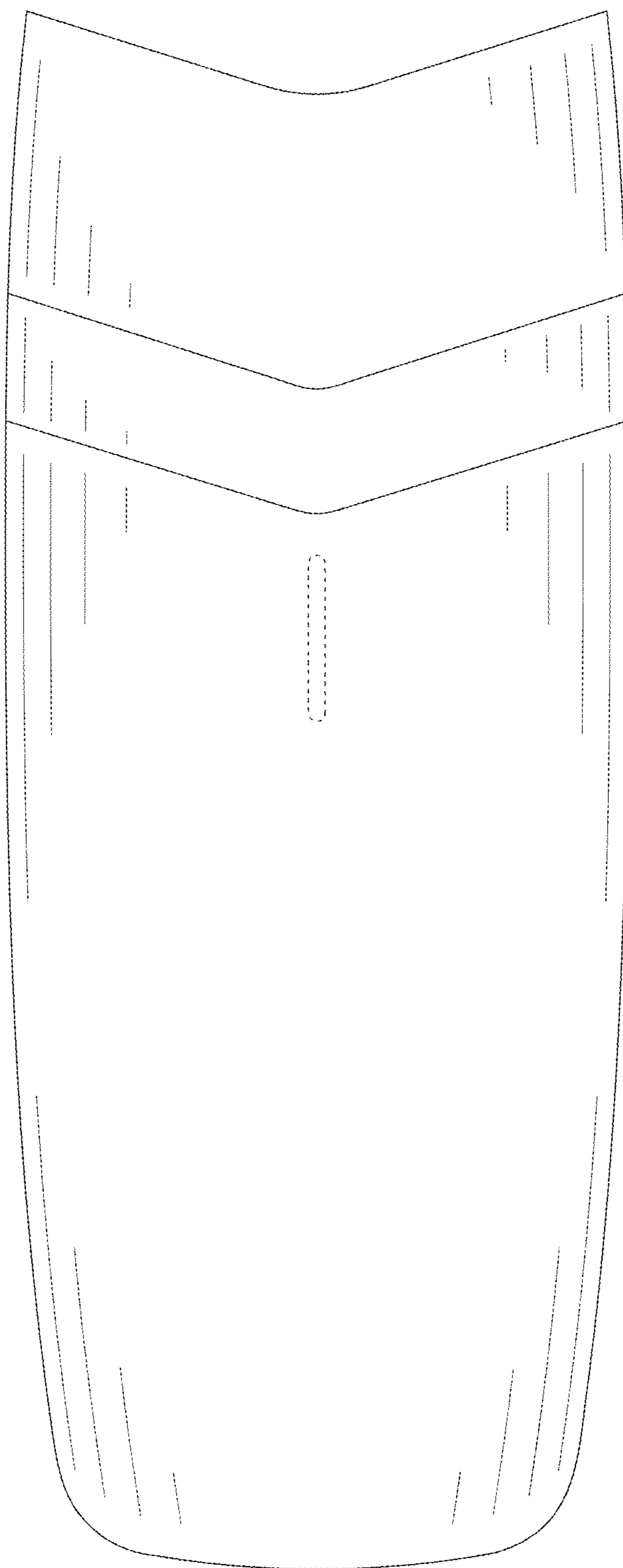


FIG. 19

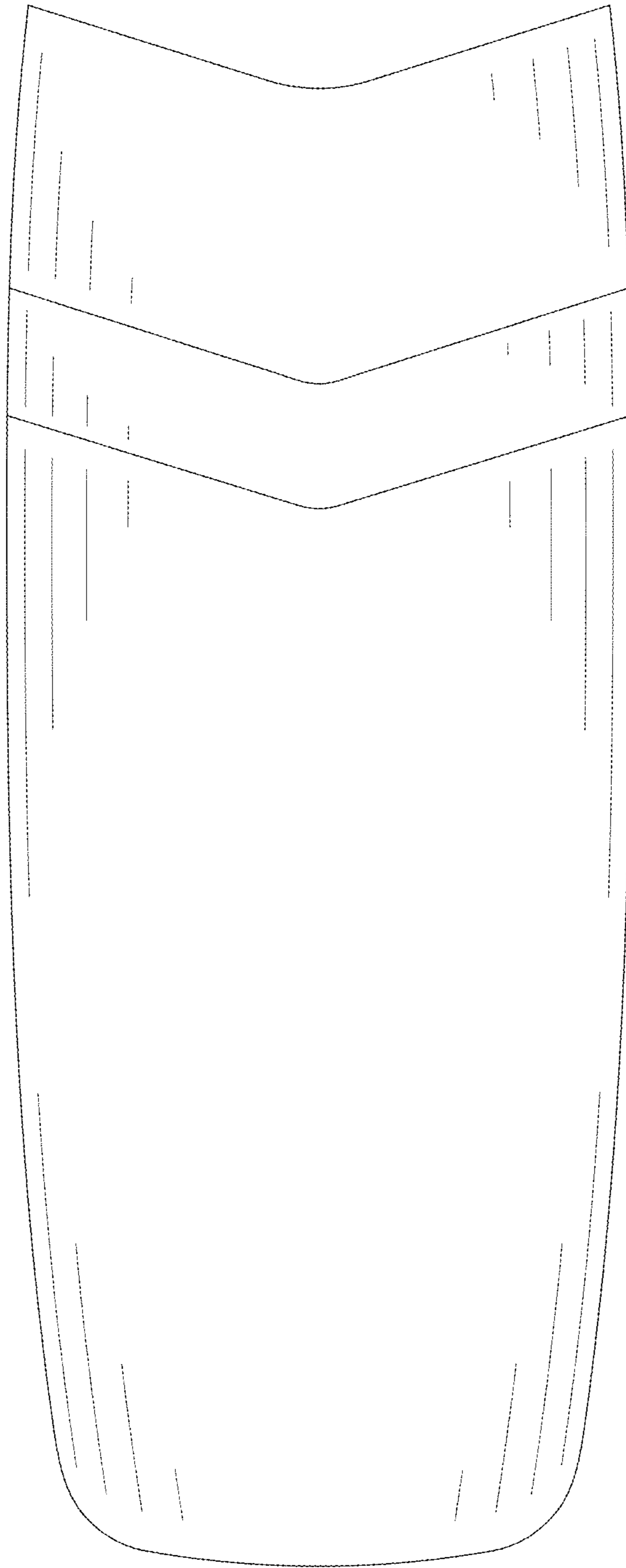


FIG. 20

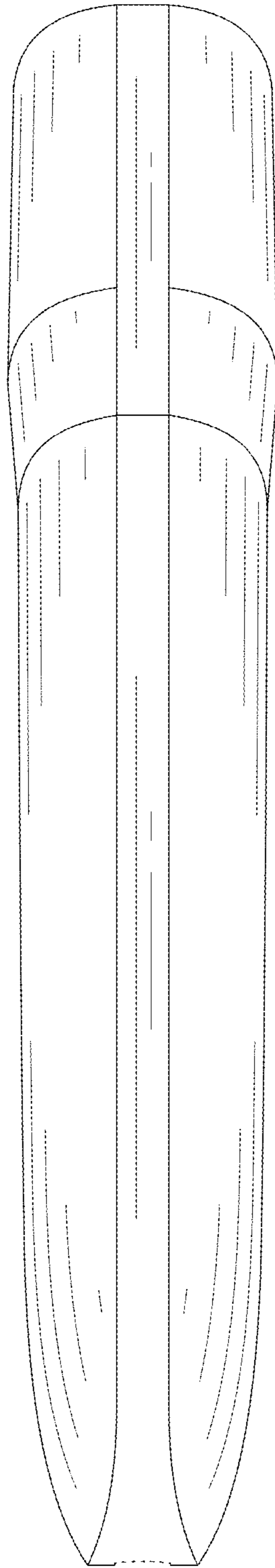


FIG. 21

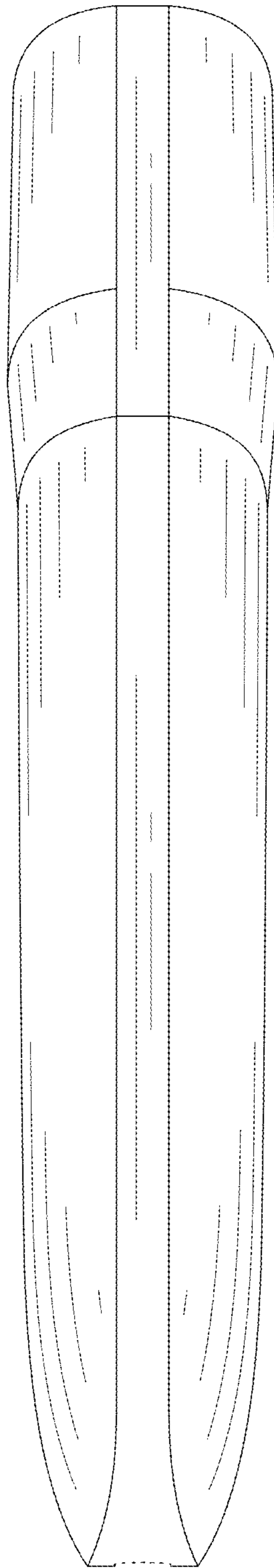


FIG. 22



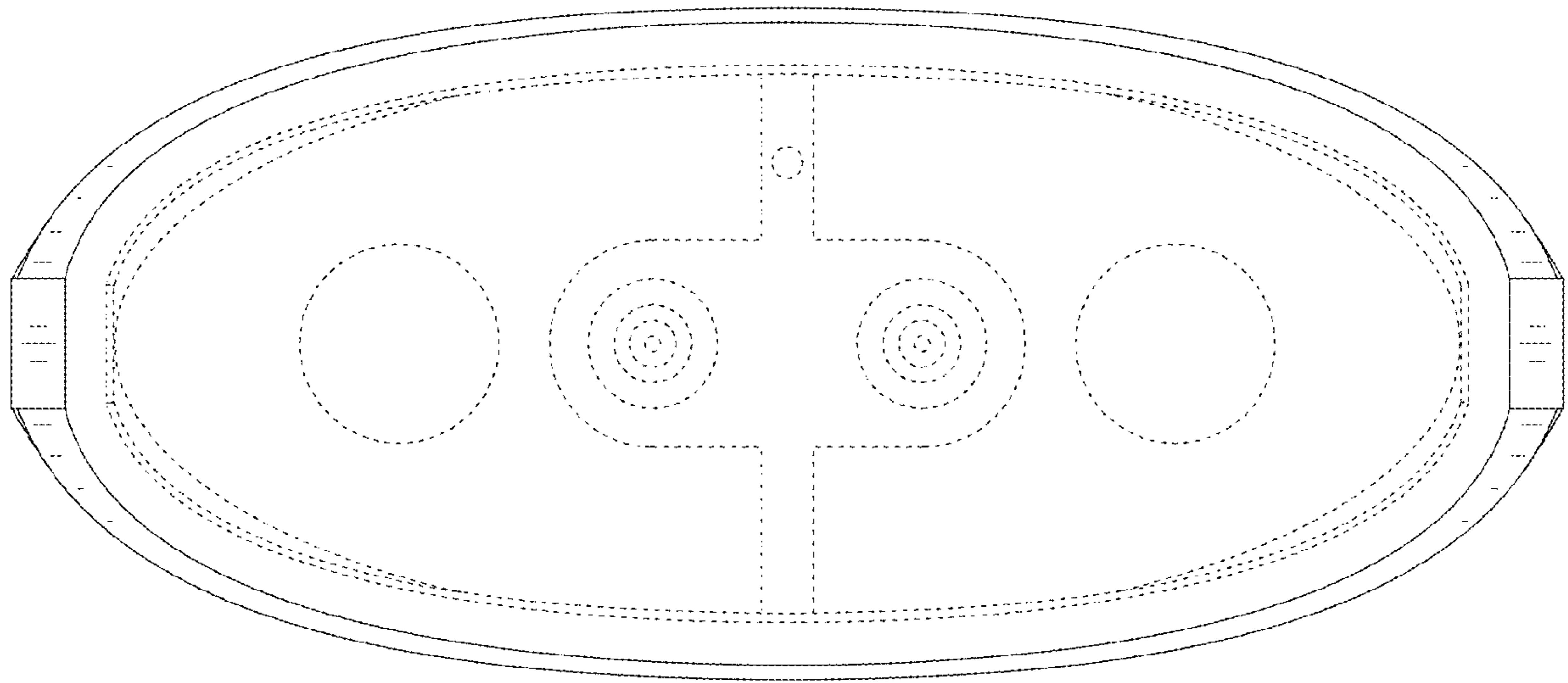


FIG. 23

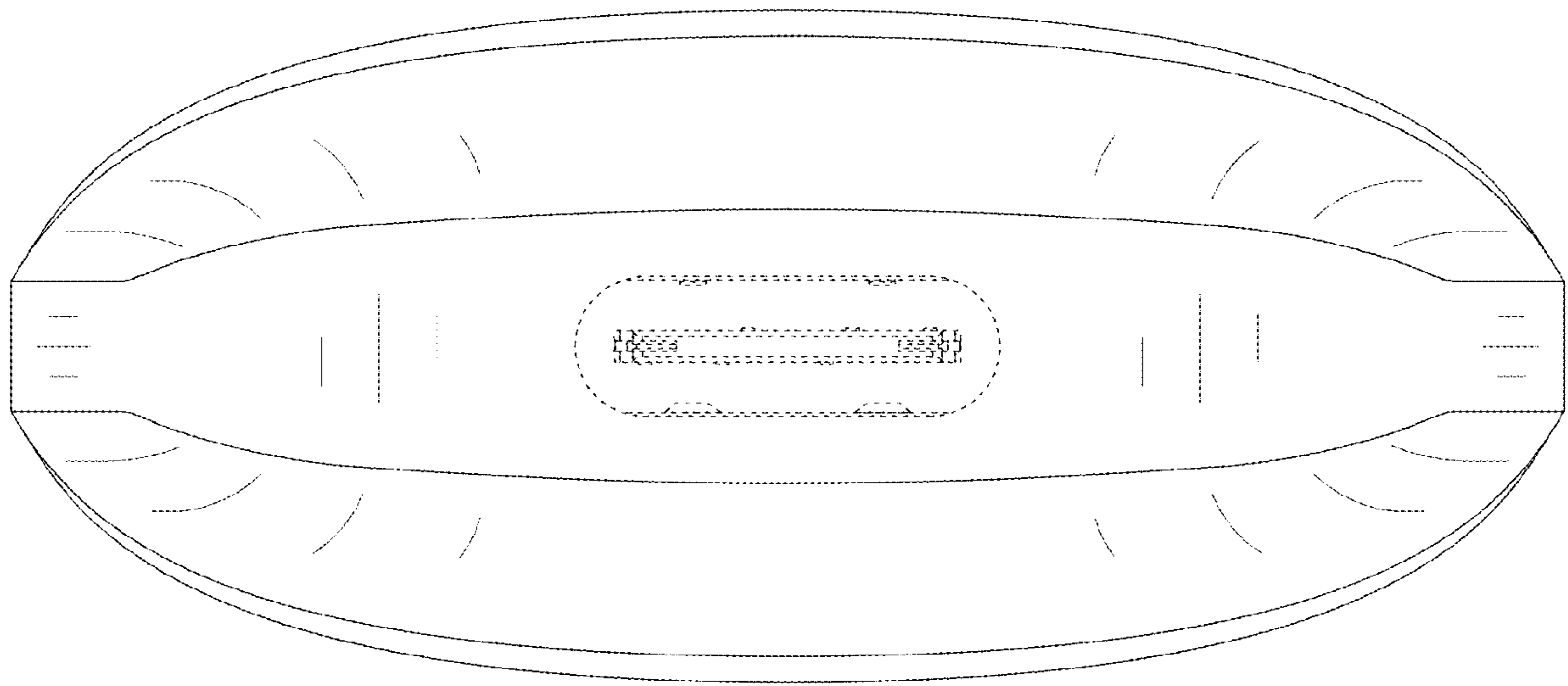


FIG. 24