



US00D975346S

(12) **United States Design Patent** (10) **Patent No.:** **US D975,346 S**
Liu (45) **Date of Patent:** **** Jan. 10, 2023**

(54) **MOON LAMP SET**
(71) Applicant: **Yong Liu**, Yuanjiang (CN)
(72) Inventor: **Yong Liu**, Yuanjiang (CN)
(**) Term: **15 Years**
(21) Appl. No.: **29/819,784**
(22) Filed: **Dec. 17, 2021**

D915,662 S * 4/2021 Zhang D26/110
D915,663 S * 4/2021 Feng D26/110
D919,170 S * 5/2021 Liu D26/142
D942,671 S * 2/2022 Liu D26/104
D956,317 S * 6/2022 Ji D26/94
11,365,865 B1 * 6/2022 Zheng F21V 1/10
D960,762 S * 8/2022 Morris D11/131

FOREIGN PATENT DOCUMENTS

CN 304813176 * 9/2018

OTHER PUBLICATIONS

Floating Moon Lamp. By FIRPOW. Dated Dec. 24, 2021. Found online [Aug. 22, 2022]. <https://www.amazon.com/FIRPOW-Floating-Moon-Lamp-Levitating/dp/B09P51Z2LT> (Year: 2021).*

* cited by examiner

Primary Examiner — Marissa J Cash
Assistant Examiner — William B Melliar

(57) **CLAIM**

The ornamental design for a moon lamp set, as shown and described.

DESCRIPTION

FIG. 1 is a perspective view of a moon lamp set showing my new design;
FIG. 2 is another perspective view thereof;
FIG. 3 is a front elevational view thereof;
FIG. 4 is a rear elevational view thereof;
FIG. 5 is a left side elevational view thereof;
FIG. 6 is a right side elevational view thereof;
FIG. 7 is a top plan view thereof; and,
FIG. 8 is a bottom plan view thereof.
The broken lines in the drawings depict portions of the moon lamp set that form no part of the claimed design.

1 Claim, 8 Drawing Sheets

(30) **Foreign Application Priority Data**

Aug. 16, 2021 (CN) 202130531395.9

(51) **LOC (14) Cl.** **26-05**

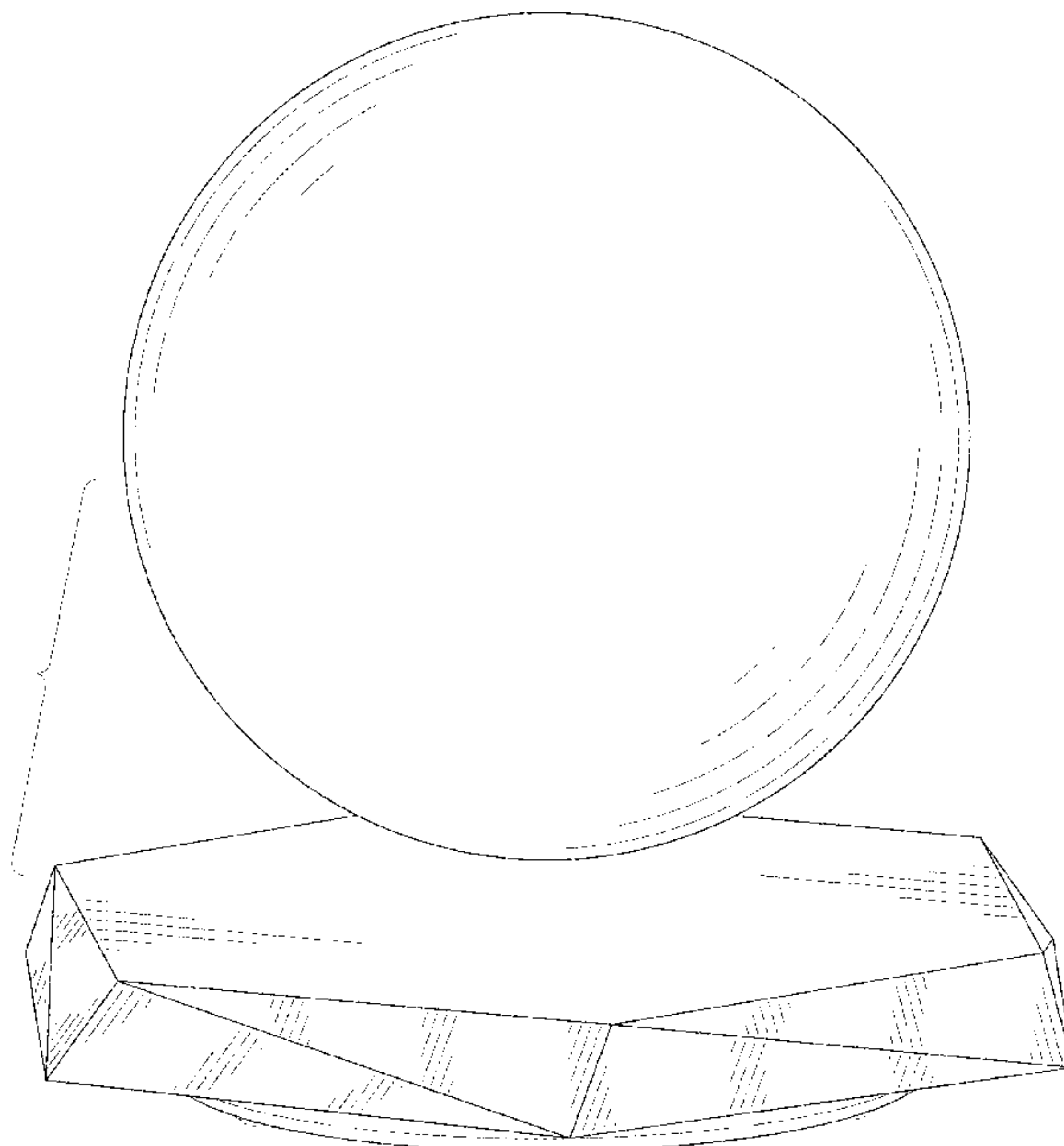
(52) **U.S. Cl.**
USPC **D26/110**

(58) **Field of Classification Search**
USPC D26/24, 51–52, 60–65, 85, 93–94,
D26/104–108, 110, 113, 142; D11/131
CPC F21S 6/003; F21S 6/002; F21S 6/00; F21S
8/00; F21S 10/00; F21S 6/004; F21S
6/006; F21S 6/008; F21S 10/007; F21V
21/26; F21V 21/14; F21Y 2115/10
See application file for complete search history.

(56) **References Cited**

U.S. PATENT DOCUMENTS

D496,126 S * 9/2004 Huang D26/104
D577,456 S * 9/2008 Schwendinger D26/85
D752,802 S * 3/2016 Johnson D26/94
D759,882 S * 6/2016 Johnson D26/98
D799,100 S * 10/2017 Morris D26/110
D849,314 S 5/2019 Pan
D862,776 S * 10/2019 Bie D26/110
D890,406 S * 7/2020 Chen D26/104
D905,316 S * 12/2020 Bie D26/93
D907,279 S * 1/2021 Bie D26/93



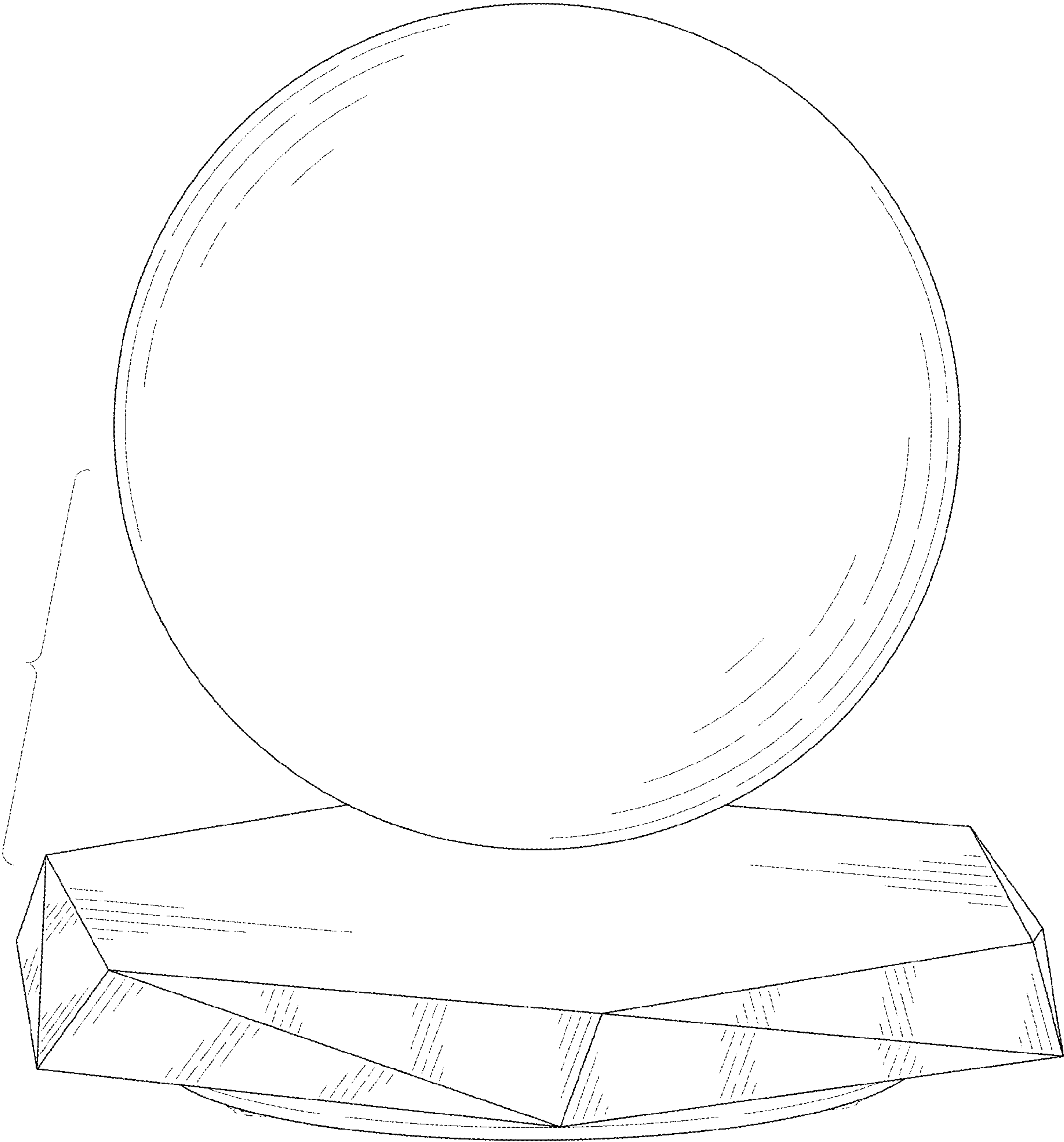


FIG. 1

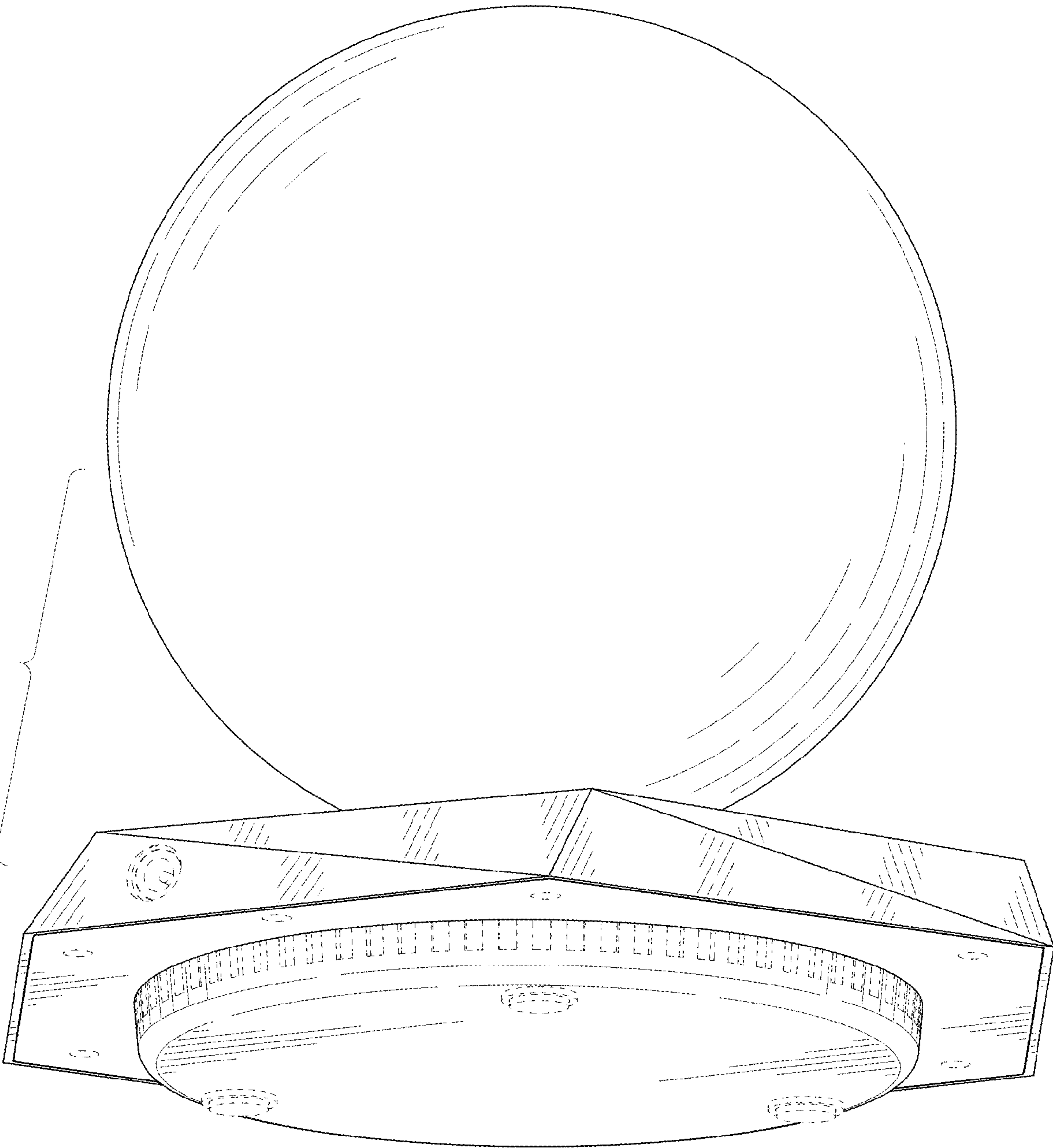


FIG. 2

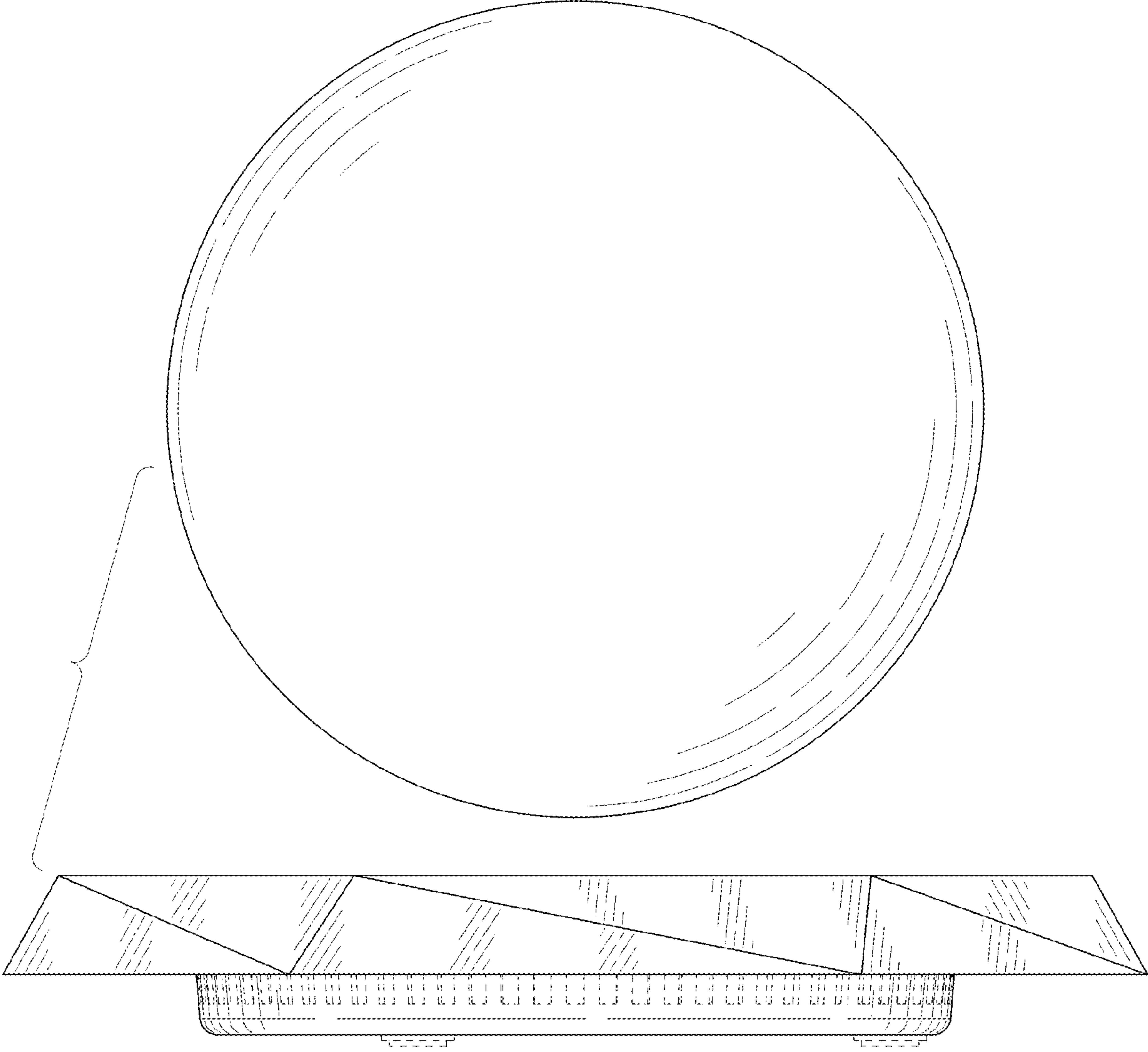


FIG. 3

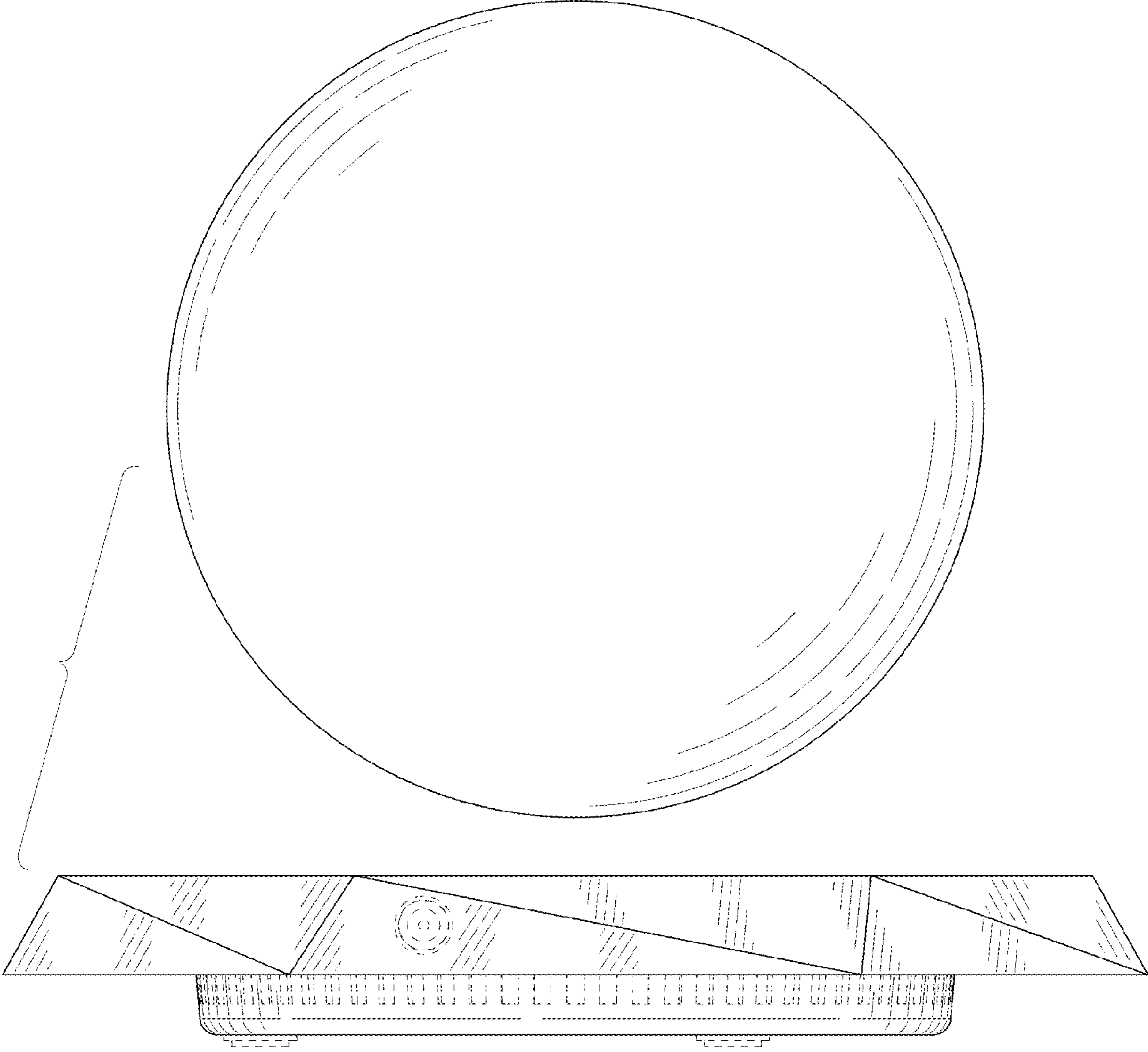


FIG. 4

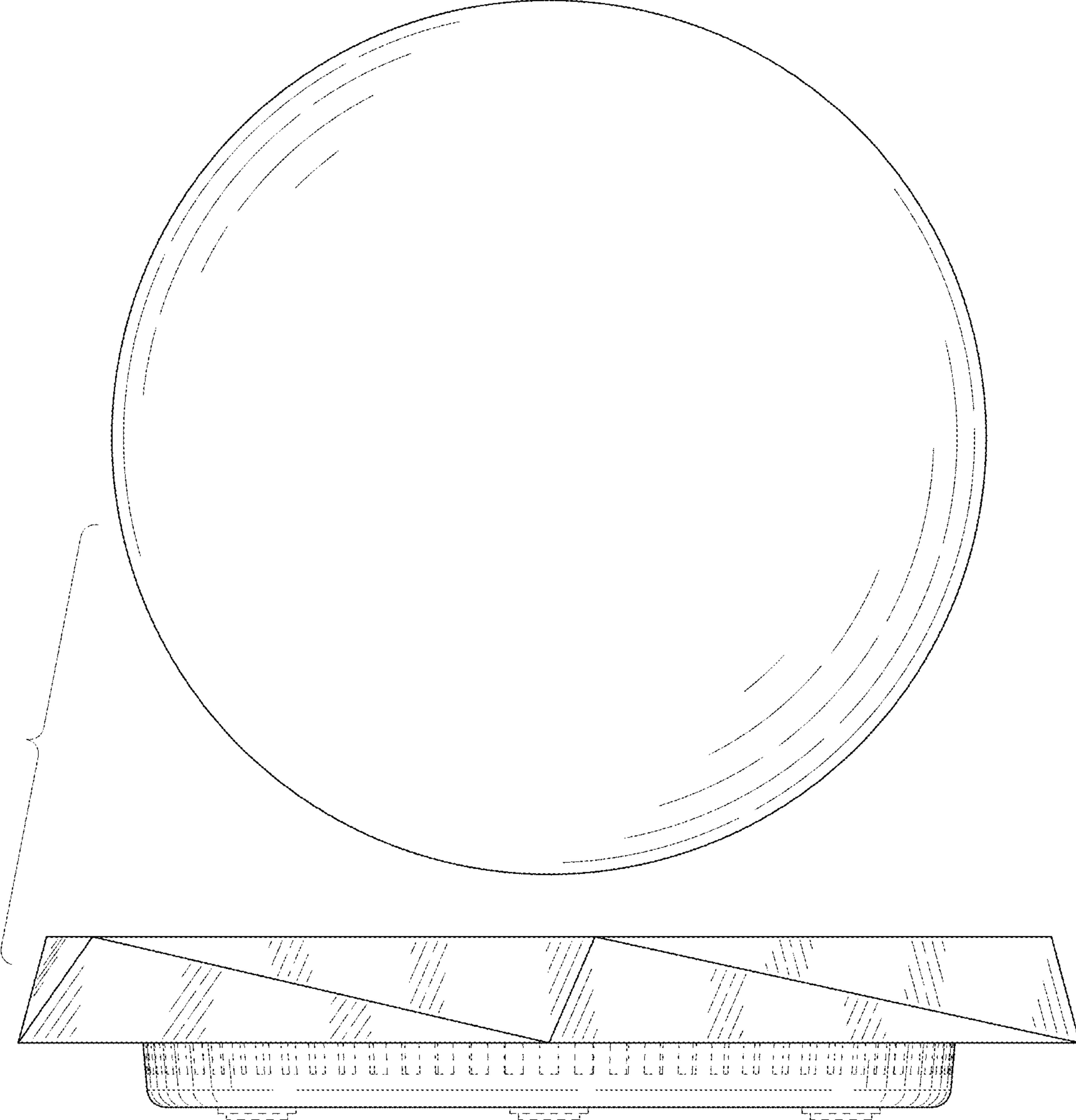


FIG. 5

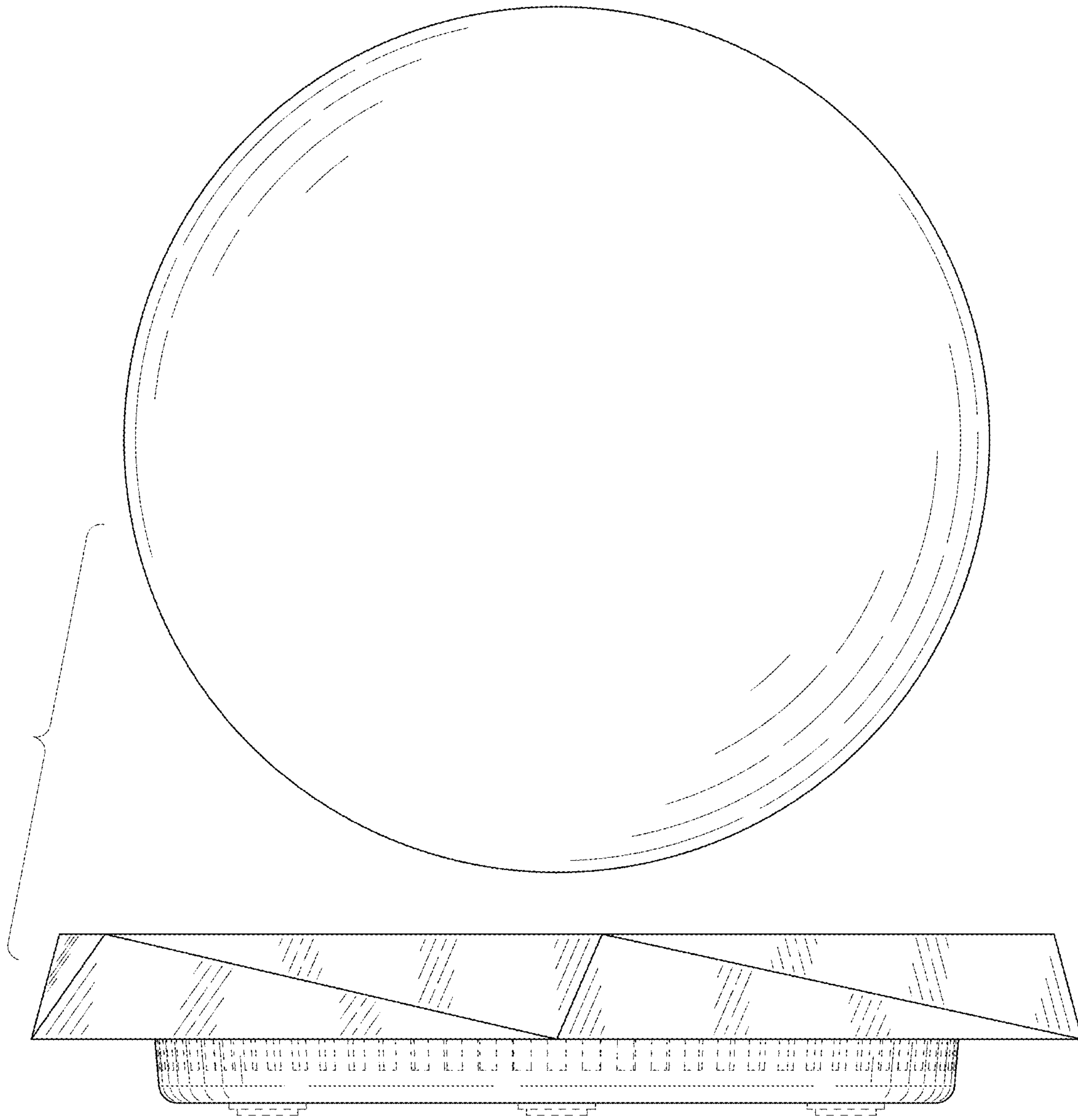


FIG. 6

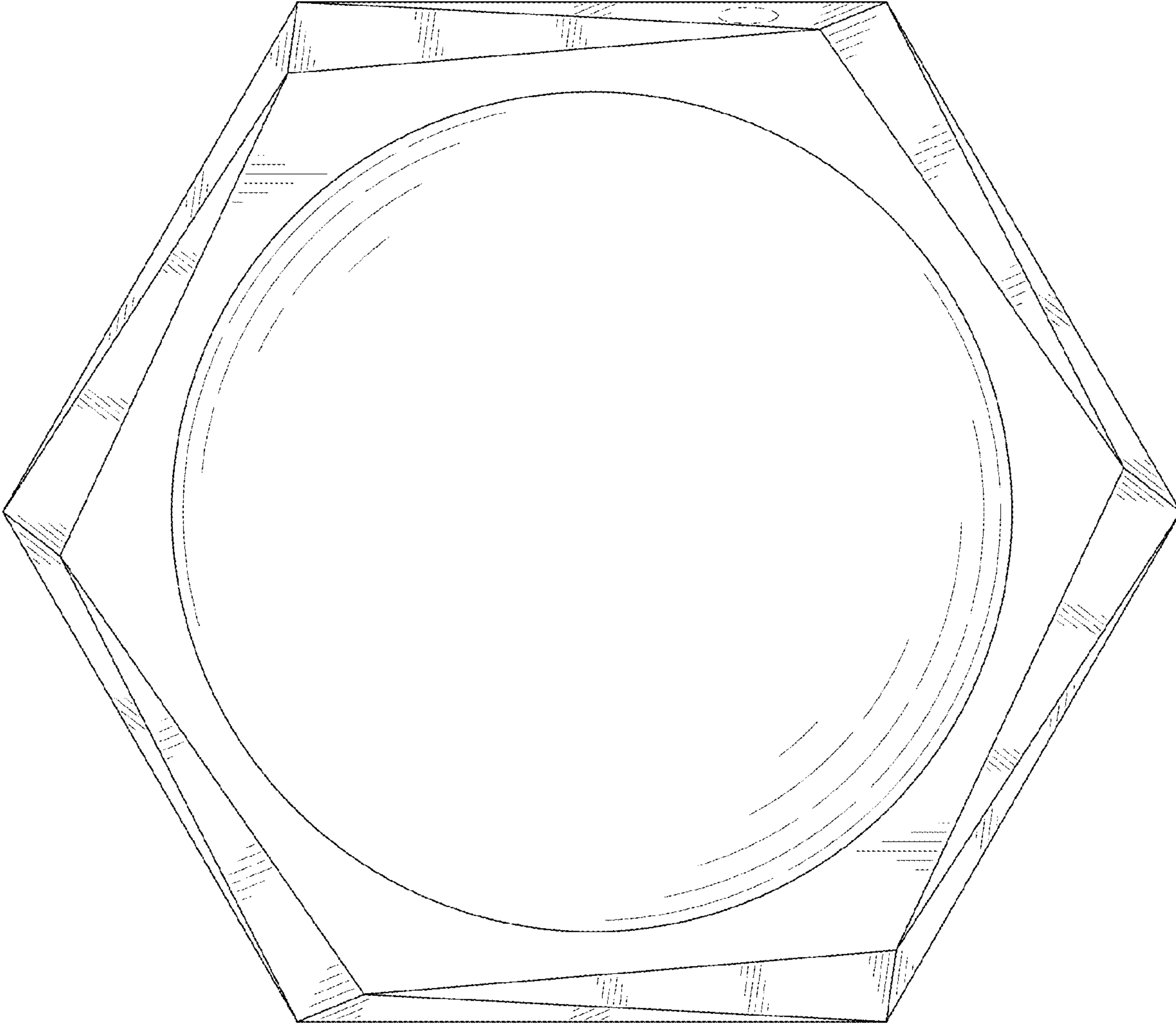


FIG. 7

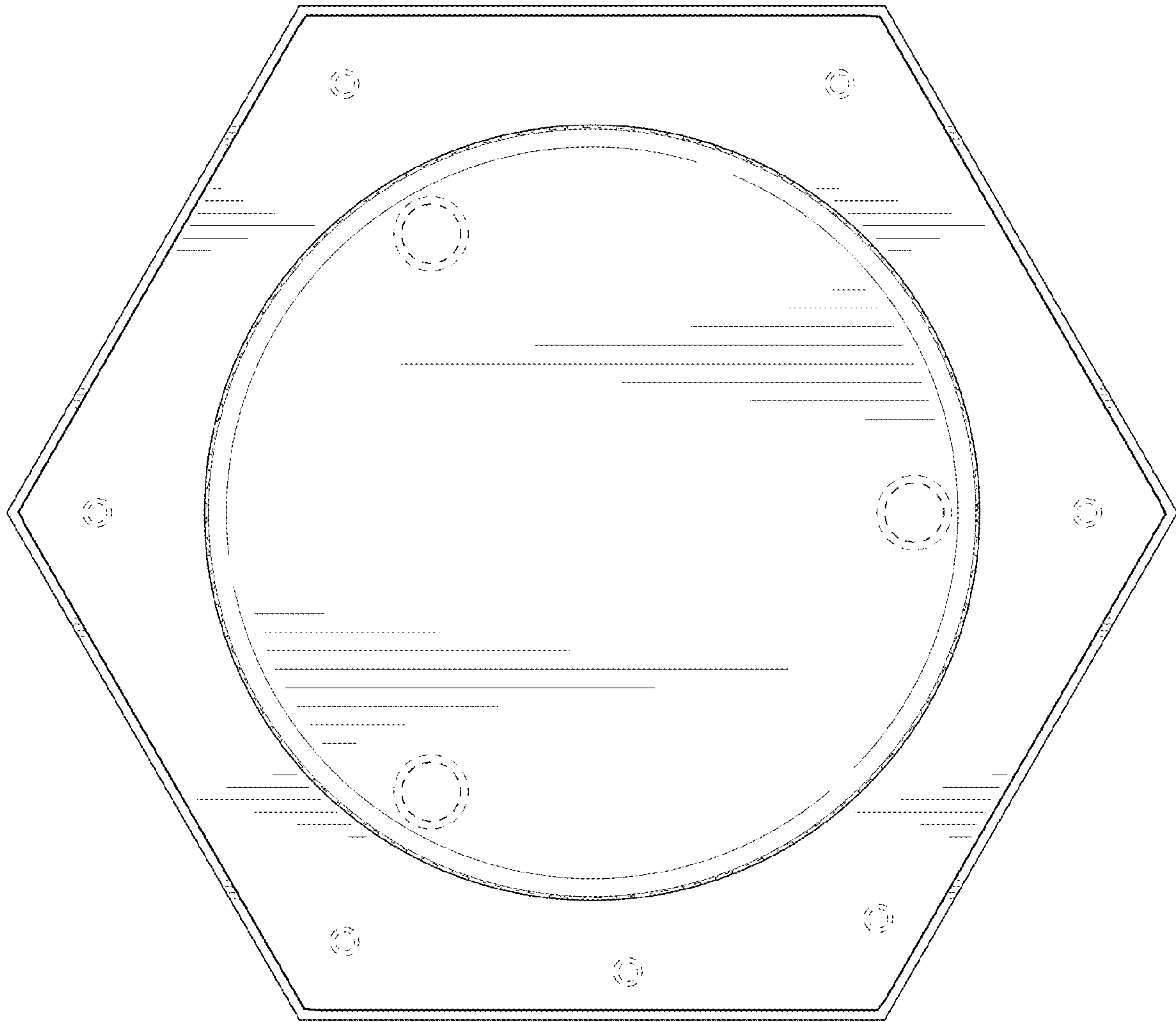


FIG. 8