



US00D975343S

(12) **United States Design Patent**
Chen

(10) **Patent No.:** **US D975,343 S**
(45) **Date of Patent:** **** Jan. 10, 2023**

(54) **FLOOR LAMP**

(71) Applicant: **SHENZHEN BRIGHT STAR TECHNOLOGY CO., LTD**, Shenzhen (CN)

(72) Inventor: **Guohua Chen**, Shenzhen (CN)

(73) Assignee: **SHENZHEN BRIGHT STAR TECHNOLOGY CO., LTD**, Shenzhen (CN)

(**) Term: **15 Years**

(21) Appl. No.: **29/812,510**

(22) Filed: **Oct. 21, 2021**

(30) **Foreign Application Priority Data**

Oct. 15, 2021 (EM) 008726913-0005

(51) **LOC (14) Cl.** **26-05**

(52) **U.S. Cl.**
USPC **D26/106; D26/62**

(58) **Field of Classification Search**
USPC D26/24, 93, 104, 106, 107, 108, 110, D26/112, 113, 118, 138, 61, 62, 63
CPC F21S 6/00; F21S 6/002; F21S 6/003; F21S 6/004; F21S 6/005; F21S 6/006; F21S 6/007; F21S 6/008; F21V 1/00; F21V 1/02; F21V 1/14; F21V 3/00
See application file for complete search history.

(56) **References Cited**

U.S. PATENT DOCUMENTS

D728,846 S * 5/2015 McCormick D26/107
D728,847 S * 5/2015 Wiedenmann D26/107
D732,217 S * 6/2015 Wiedenmann D26/60
D757,342 S * 5/2016 Cai D26/107
D772,470 S * 11/2016 Feit D26/106
D788,972 S 6/2017 Araiza
D822,266 S * 7/2018 Jiang D26/107

D822,267 S * 7/2018 Yao D26/107
D824,580 S * 7/2018 Hu D26/107
D835,329 S * 12/2018 Edgar D26/107
D859,730 S * 9/2019 Blechner D26/118
D870,942 S * 12/2019 Yang D26/60
D873,475 S * 1/2020 Wang D26/107
D876,705 S * 2/2020 Tang D26/107
D876,706 S 2/2020 Tang et al.
D881,444 S * 4/2020 Blechner D26/118

(Continued)

FOREIGN PATENT DOCUMENTS

EM 008726913-0005 * 10/2021

OTHER PUBLICATIONS

Syrinx Floor Lamp, Mar. 30, 2018, Amazon.com, site visited Aug. 30, 2022, url: <https://www.amazon.com/dp/B079STZ3BP/> (Year: 2018).*

(Continued)

Primary Examiner — T Chase Nelson
Assistant Examiner — Rachel Wolfe

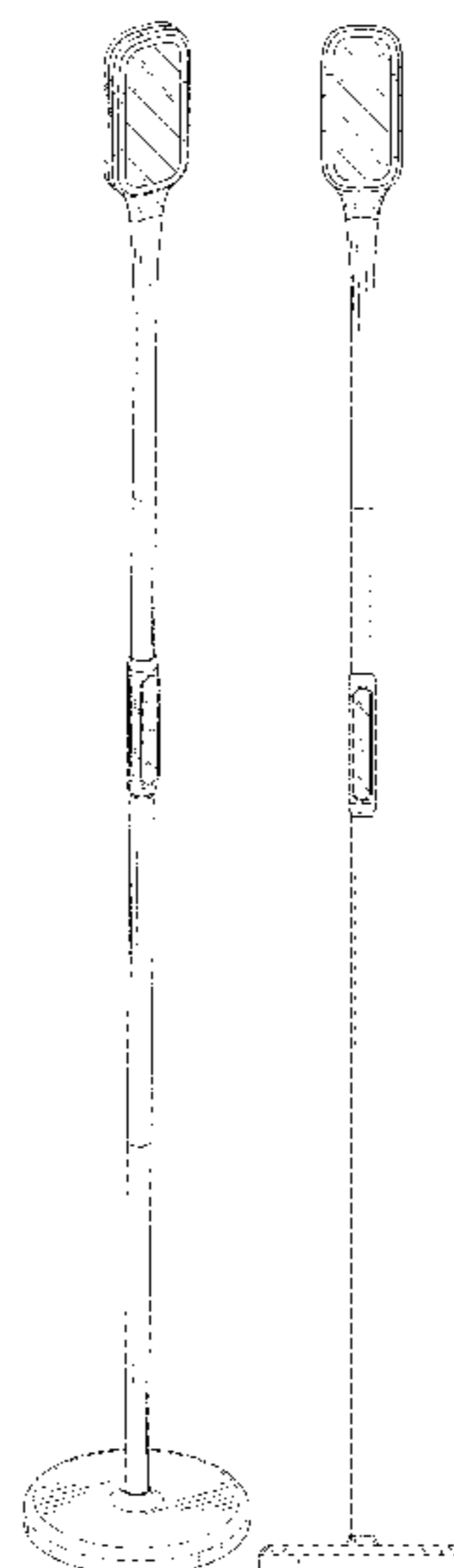
(57) **CLAIM**

The ornamental design for a floor lamp, as shown and described.

DESCRIPTION

FIG. 1 is a perspective view of a floor lamp showing my new design;
FIG. 2 is another perspective view thereof;
FIG. 3 is a front elevational view thereof;
FIG. 4 is a rear elevational view thereof;
FIG. 5 is a left side elevational view thereof;
FIG. 6 is a right side elevational view thereof;
FIG. 7 is a top plan view thereof; and,
FIG. 8 is a bottom plan view thereof.
The broken lines in the drawings depict portions of the floor lamp that form no part of the claimed design.

1 Claim, 8 Drawing Sheets



(56)

References Cited

U.S. PATENT DOCUMENTS

D882,858 S * 4/2020 Sun D26/107
D929,631 S * 8/2021 Tong D26/51
D948,104 S * 4/2022 Gu D26/107
2007/0019420 A1* 1/2007 Farmer F21S 6/003
362/396
2008/0091250 A1* 4/2008 Powell H05B 45/20
607/90

OTHER PUBLICATIONS

Henzin LED Floor Lamp, Mar. 20, 2018, Amazon.co.uk, site visited Aug. 30, 2022, url: <https://www.amazon.co.uk/dp/B086MR4115?th=1> (Year: 2018).*

Tomshine Led Floor Lamp, Dec. 11, 2019, Amazon.co.uk, site visited Aug. 30, 2022, url: <https://www.amazon.co.uk/dp/B082LRF5WP?th=1> (Year: 2019).*

Lastar LED Floor Lamp, Oct. 27, 2021, Amazon.co.uk, site visited Aug. 30, 2022, url: <https://www.amazon.co.uk/dp/B09KGG8QP5> (Year: 2021).*

* cited by examiner

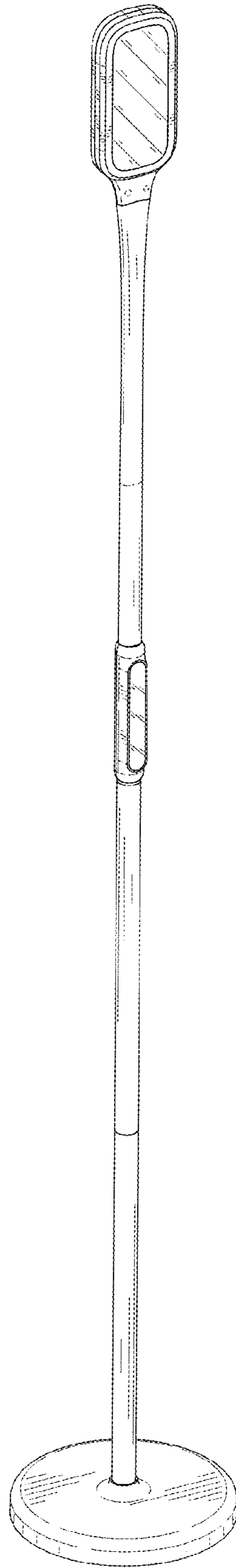


FIG. 1

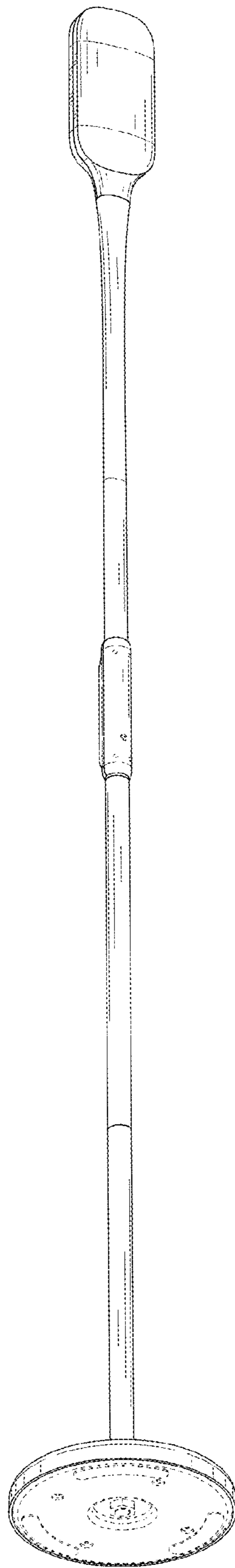


FIG. 2

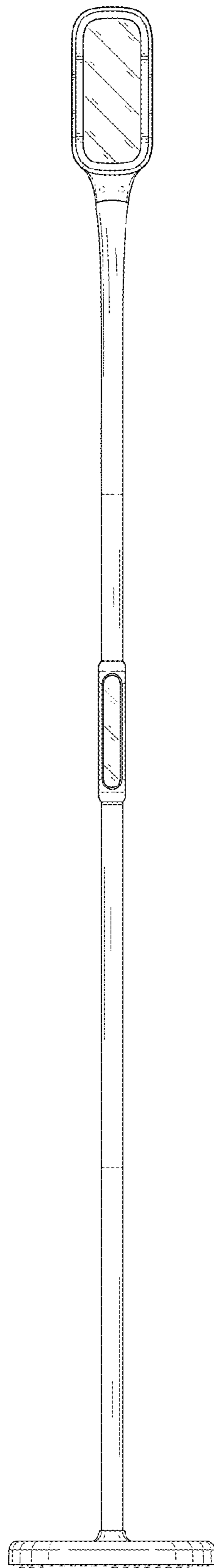


FIG. 3

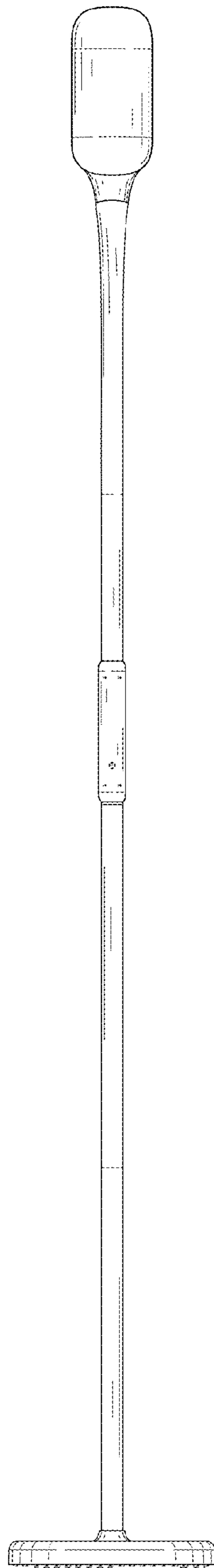


FIG. 4

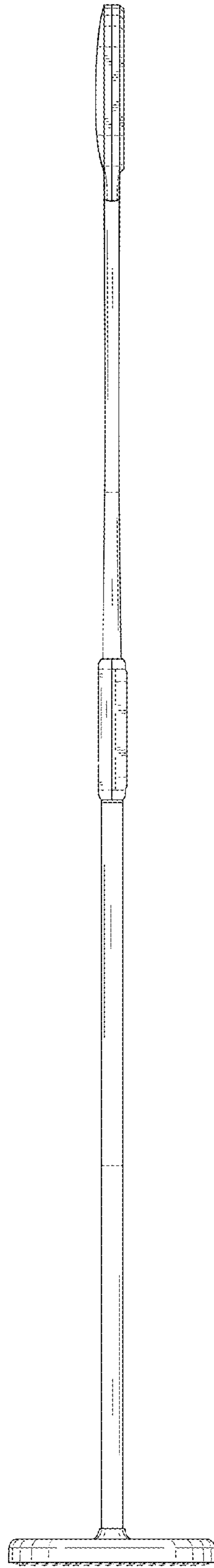


FIG. 5

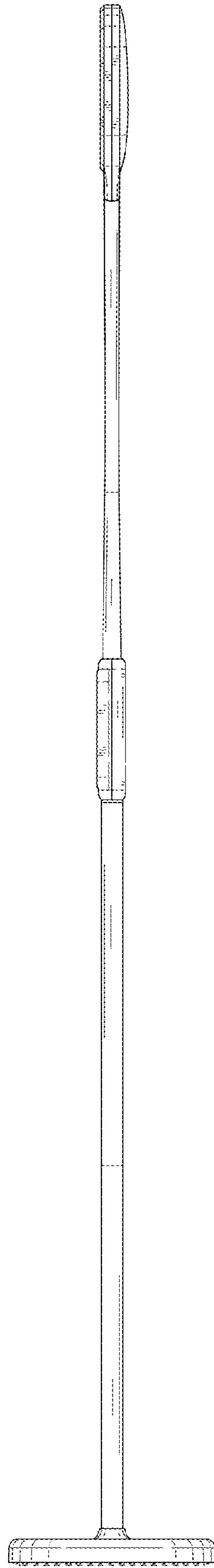


FIG. 6

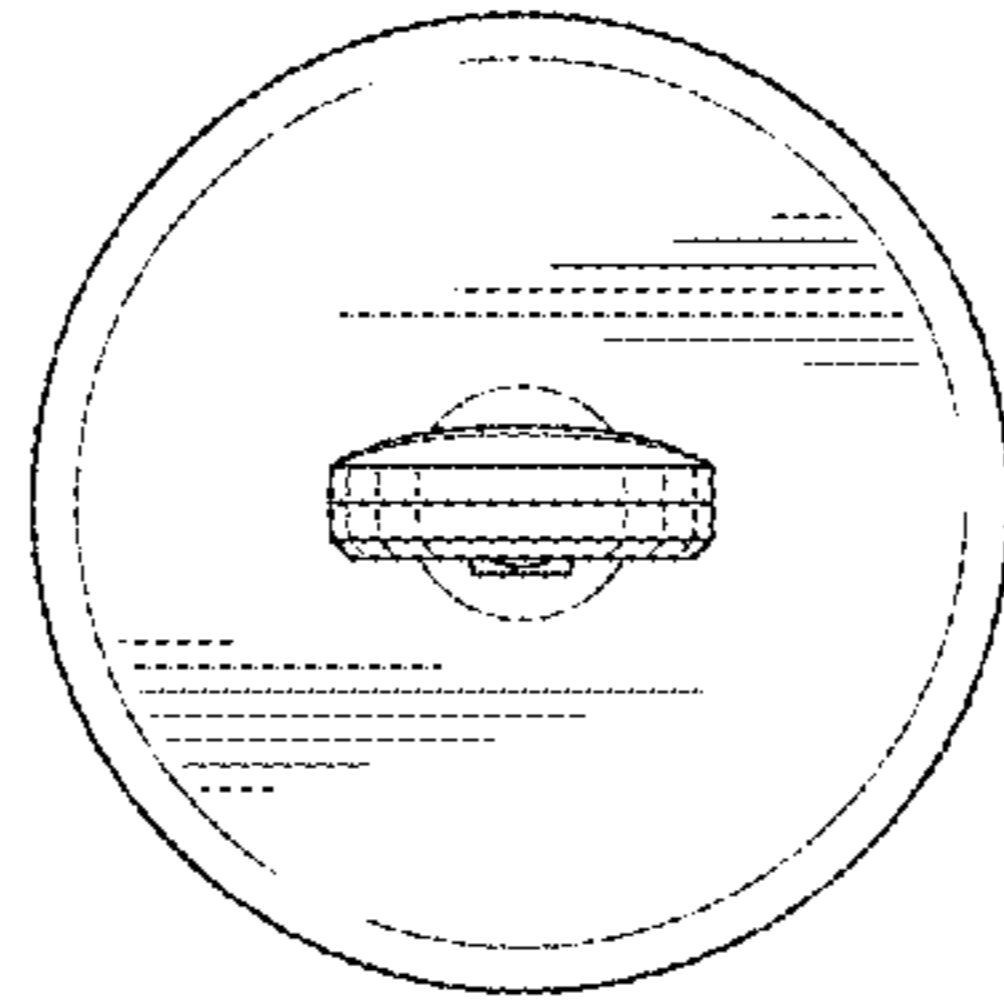


FIG. 7

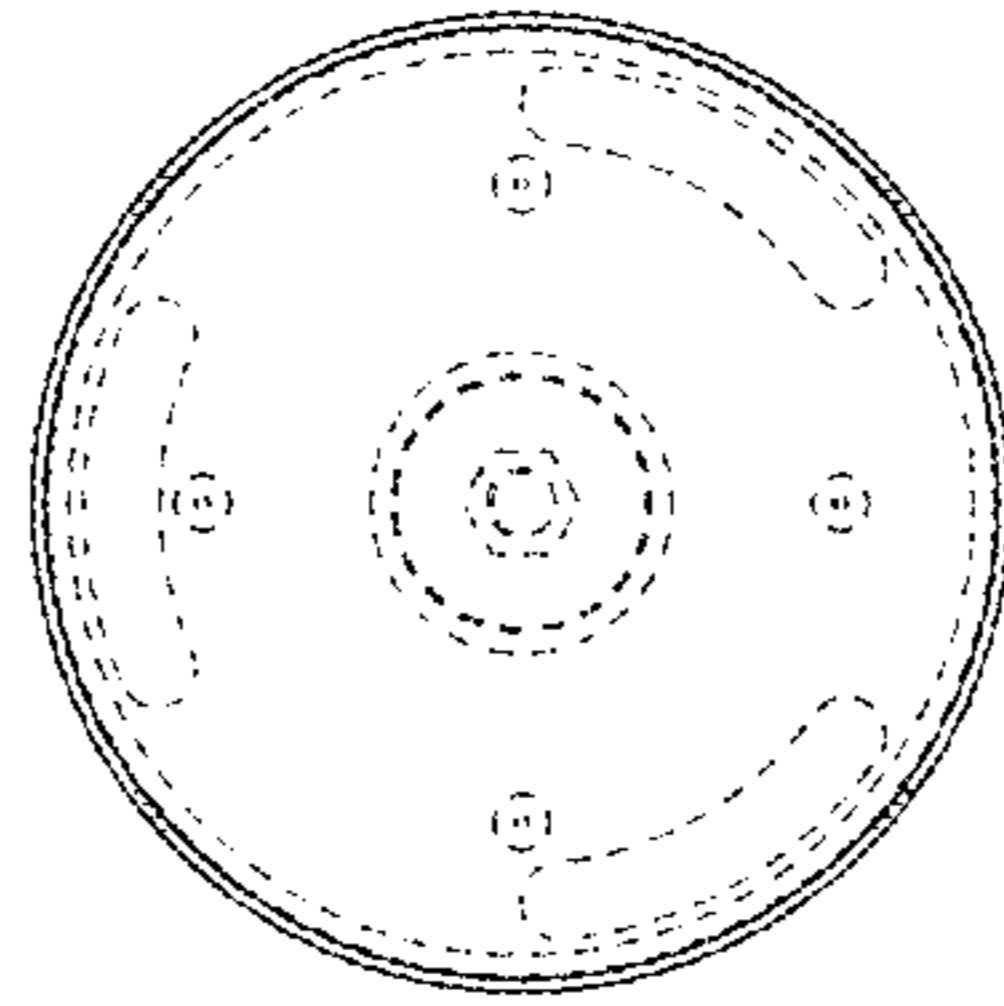


FIG. 8