



US00D975337S

(12) **United States Design Patent**
Ye et al.

(10) **Patent No.:** **US D975,337 S**
(45) **Date of Patent:** **** Jan. 10, 2023**

(54) **GROW LIGHT**

FOREIGN PATENT DOCUMENTS

(71) Applicant: **Shenzhen Westland technology Co., Ltd.**, Shenzhen (CN)

CN	303808495	*	8/2016
CN	305871869	*	6/2020
CN	306498424	*	4/2021
CN	306640324	*	6/2021

(72) Inventors: **Taijun Ye**, Shenzhen (CN); **Dequan Lin**, Shenzhen (CN); **Wuyi Li**, Shenzhen (CN); **Jianjun Huang**, Shenzhen (CN)

OTHER PUBLICATIONS

(**) Term: **15 Years**

Grow Light Full Spectrum, available in Amazon.com, oldest customer review date Oct. 12, 2020 [online], [site visited Aug. 19, 2022], Available from the internet URL: https://www.amazon.com/GROPLANNER-Spectrum-Indoor-450Watts-Control/dp/B08DKYV518/ref=sr_1_12?keywords=grow+lights&qid=1660939161&sr=8-12 (Year: 2020).*

(21) Appl. No.: **29/797,046**

(Continued)

(22) Filed: **Jun. 29, 2021**

(51) **LOC (14) Cl.** **26-04**

Primary Examiner — Brett Miller

(52) **U.S. Cl.**

Assistant Examiner — Jasmine L. Comedy

USPC **D26/76**

(74) *Attorney, Agent, or Firm* — Runit Ranjit Kanakia

(58) **Field of Classification Search**

(57) **CLAIM**

USPC D26/76, 77, 85, 113, 72, 118; 362/223, 362/220, 249.15

The ornamental design for a grow light, as shown and described.

CPC .. F21Y 2113/00; F21Y 2103/00; F21V 17/00; F21S 8/04; A01G 7/045; A01G 9/249

DESCRIPTION

See application file for complete search history.

FIG. 1 is a first perspective view of a grow light showing my new design;
FIG. 2 is a second perspective view thereof;
FIG. 3 is a front view thereof;
FIG. 4 is a back view thereof;
FIG. 5 is a left side view thereof;
FIG. 6 is a right side view thereof;
FIG. 7 is a top view thereof;
FIG. 8 is a bottom view thereof; and,
FIG. 9 is an enlarged view of the selected portion in FIG. 1. The broken lines shown in the drawings depict portions of the grow light in which the design is embodied that form no part of the claimed design.

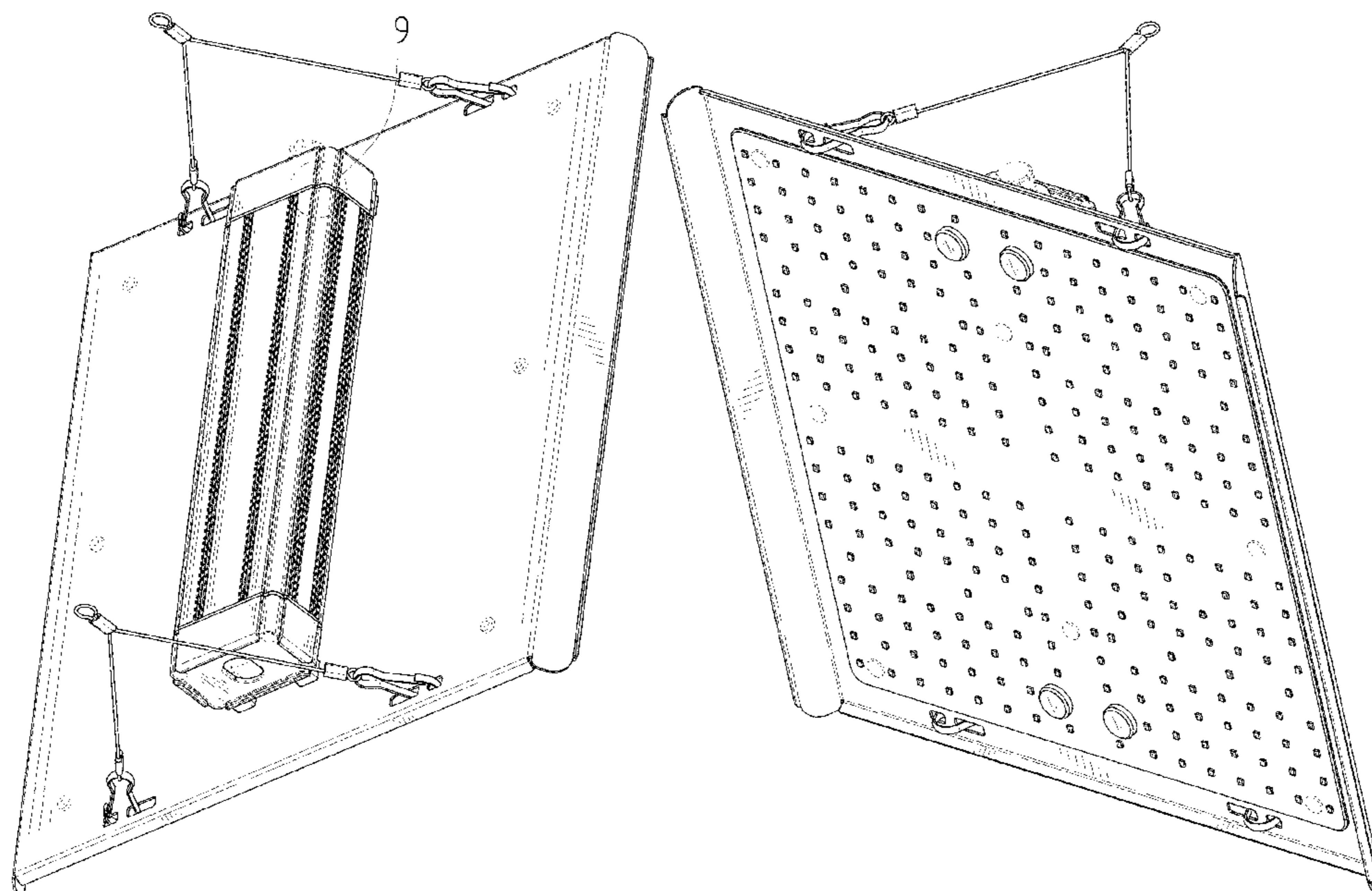
(56)

References Cited

U.S. PATENT DOCUMENTS

D893,076	S	*	8/2020	Liu	D26/76
D893,077	S	*	8/2020	Liu	D26/76
D893,078	S	*	8/2020	Liu	D26/76
D910,222	S	*	2/2021	Zhang	D26/72
D925,105	S	*	7/2021	Johnson	D26/118
D927,770	S	*	8/2021	Hu	D26/118
D933,876	S	*	10/2021	Lin	D26/118
D934,481	S	*	10/2021	Liu	D26/76
D947,438	S	*	3/2022	Zhang	D26/76
D951,514	S	*	5/2022	Shen	D26/76

1 Claim, 9 Drawing Sheets



(56)

References Cited

OTHER PUBLICATIONS

FECiDA 600W LED Grow Light, available in Amazon.com, date first available Apr. 2, 2021 [online], [site visited Aug. 19, 2022], Available from the internet URL: https://www.amazon.com/FECiDA-Dimmable-Spectrum-Seeding-Function/dp/B093BLNT14/ref=sr_1_49?keywords=grow+lights&qid=1660939161&sr=8-49 (Year: 2021).*

Serwing 200W LED Grow Light Full Spectrum, available in Amazon.com, date first available Jan. 7, 2021 [online], [site visited Aug. 19, 2022], Available from the internet URL: <https://www.amazon.com/Grow-Light-Indoor-Plants-Cultivation/dp/B08SBW9B2G?th=1> (Year: 2021).*

ACKE / Aceple 20W LED Grow Light Review, announced in YouTube on Jan. 20, 2019 [online], [site visited Aug. 19, 2022], Available from the internet URL: <https://www.youtube.com/watch?v=8abMZUI0ac4> (Year: 2019).*

* cited by examiner

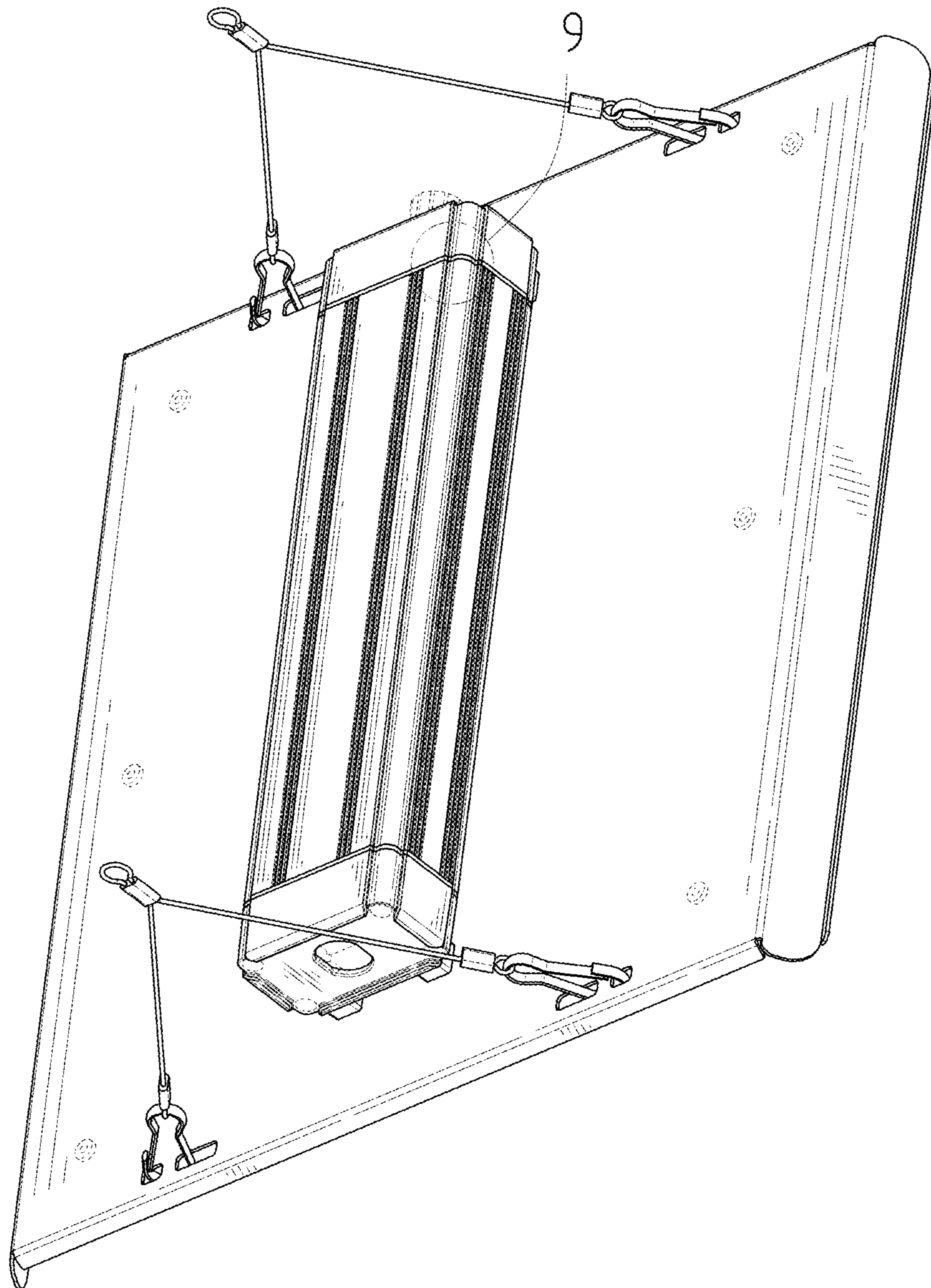


FIG. 1

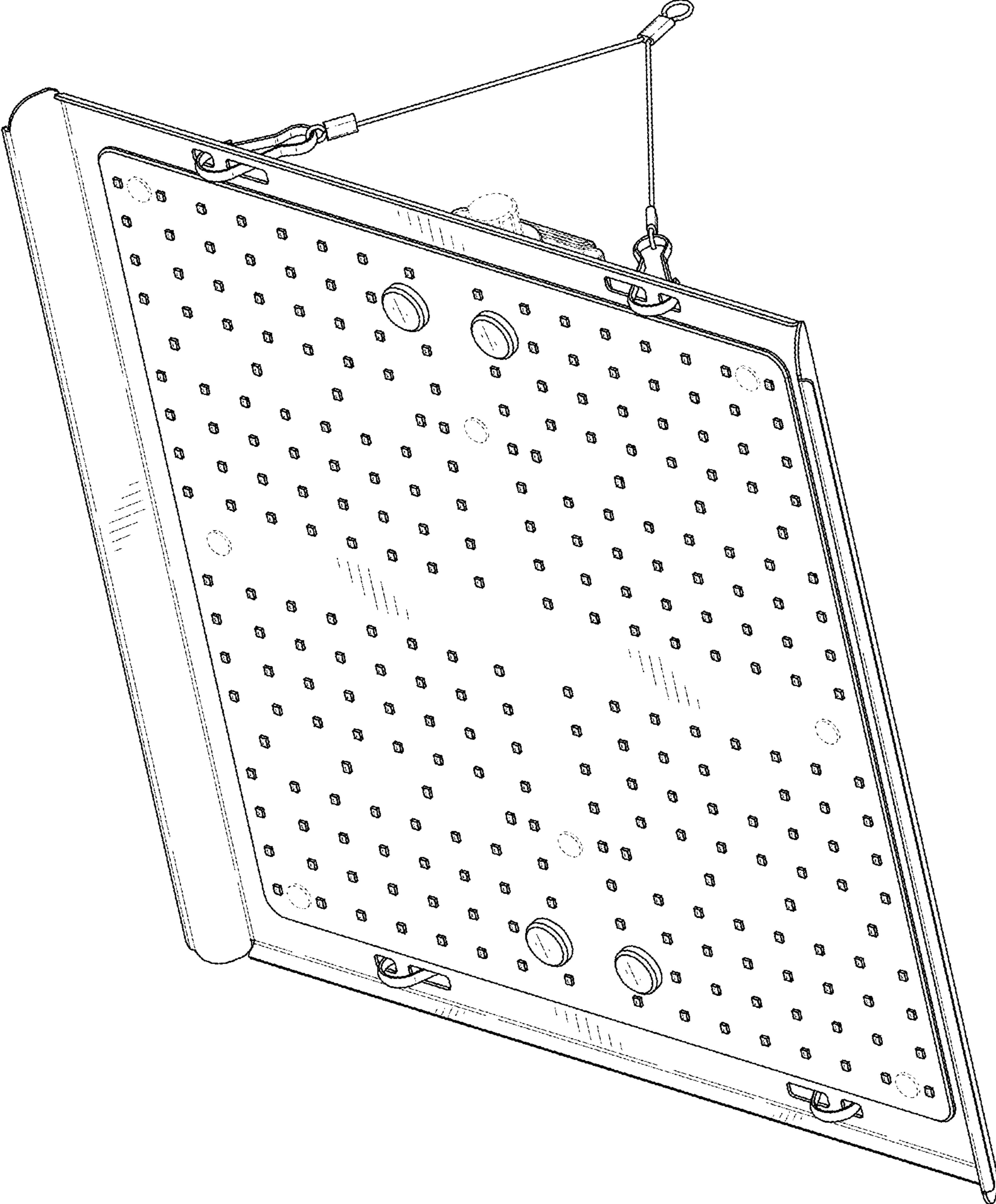


FIG. 2

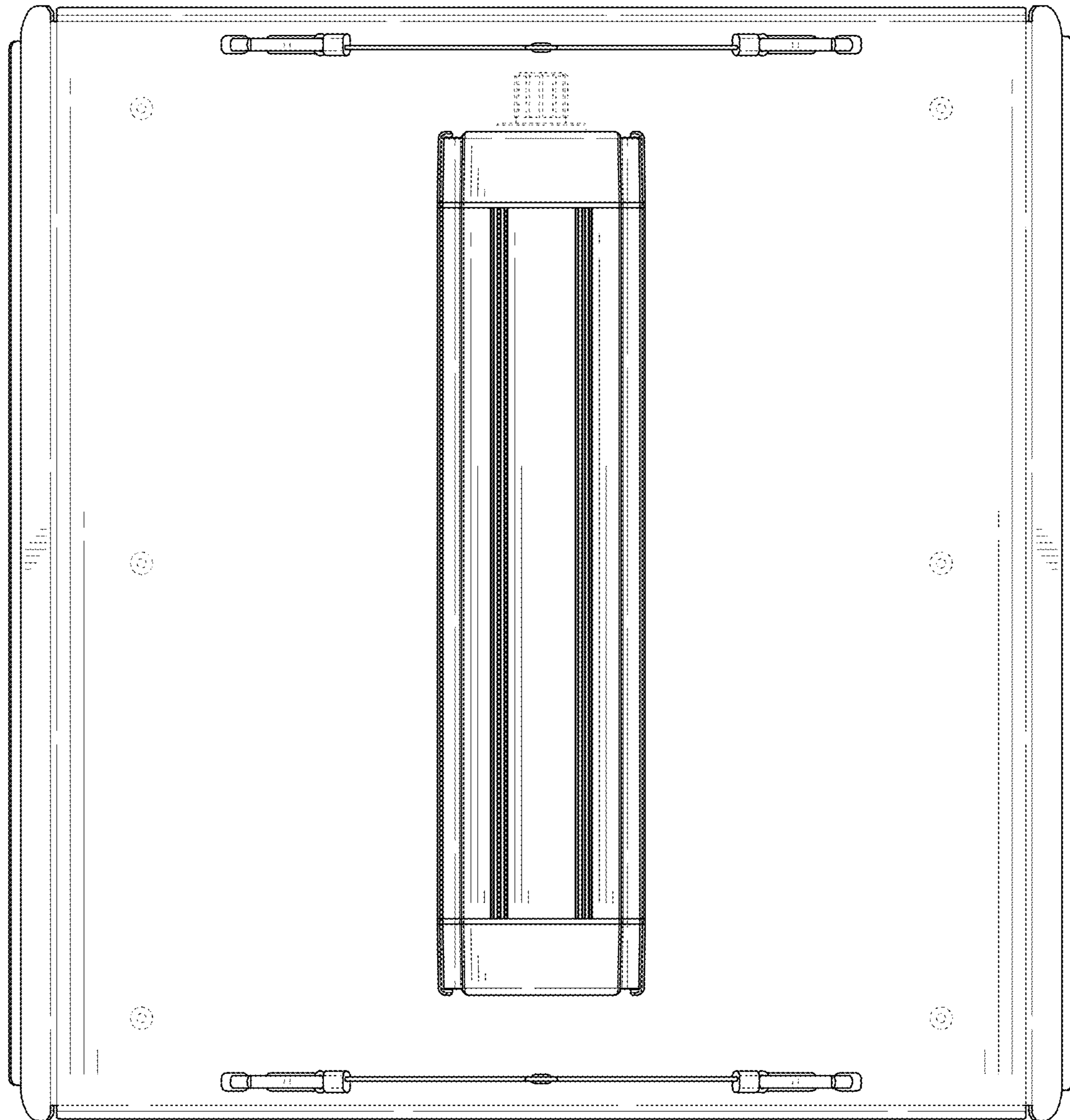


FIG. 3

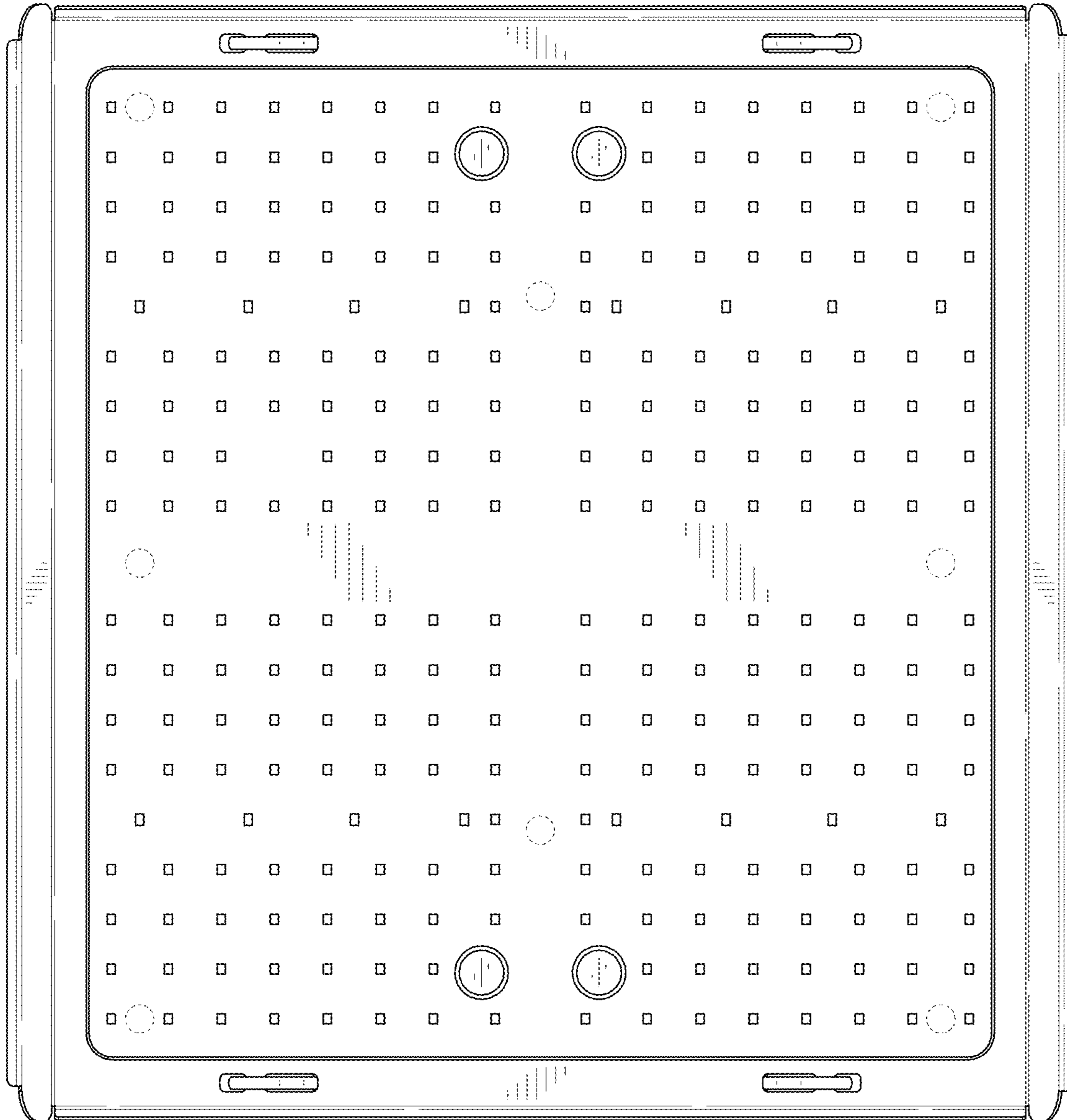


FIG. 4

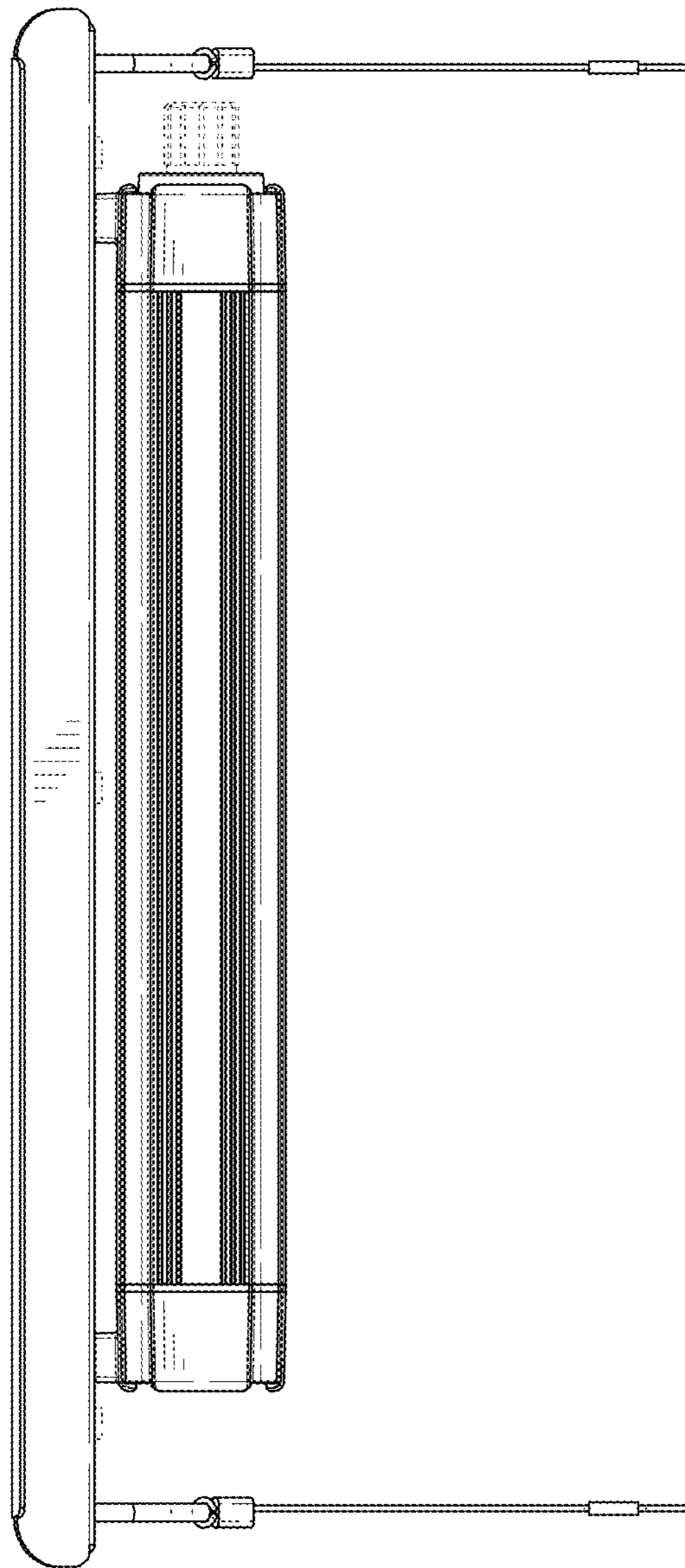


FIG. 5

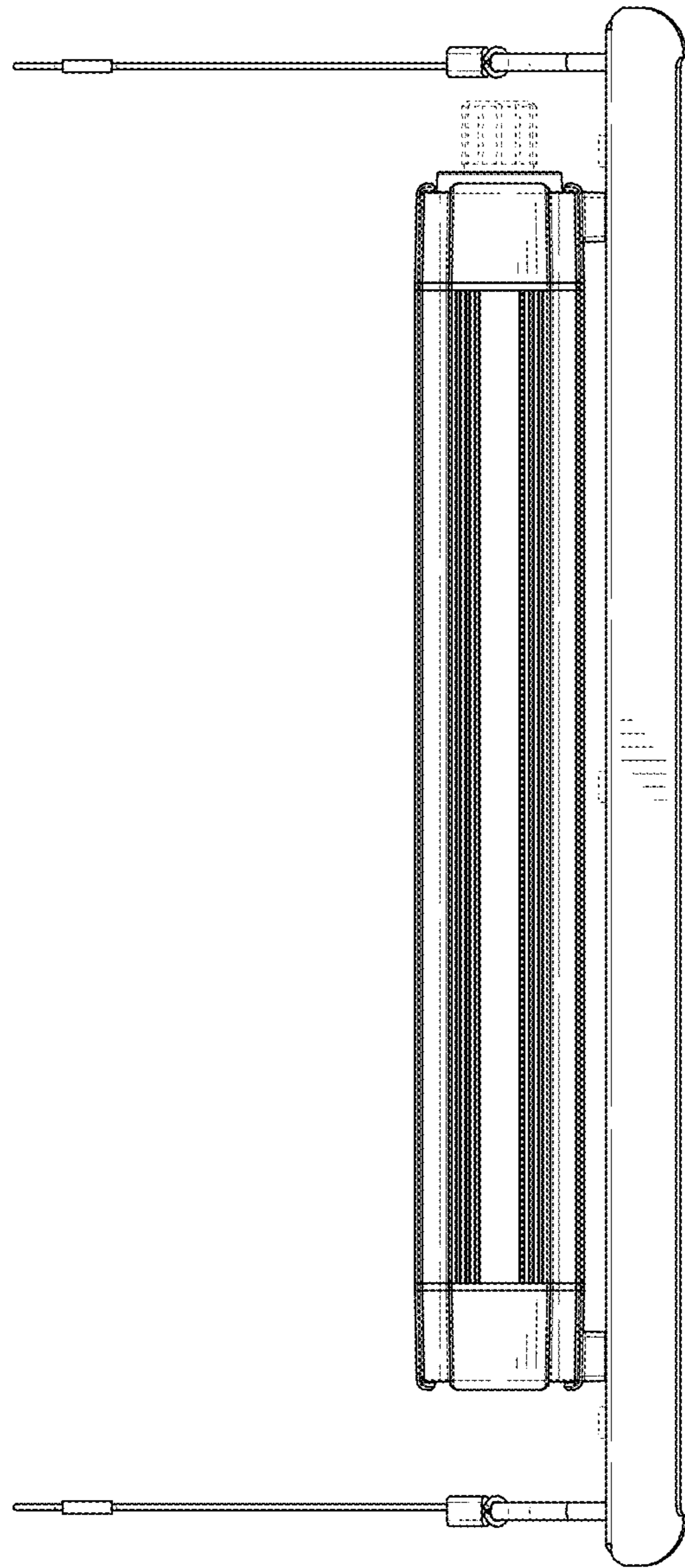


FIG. 6

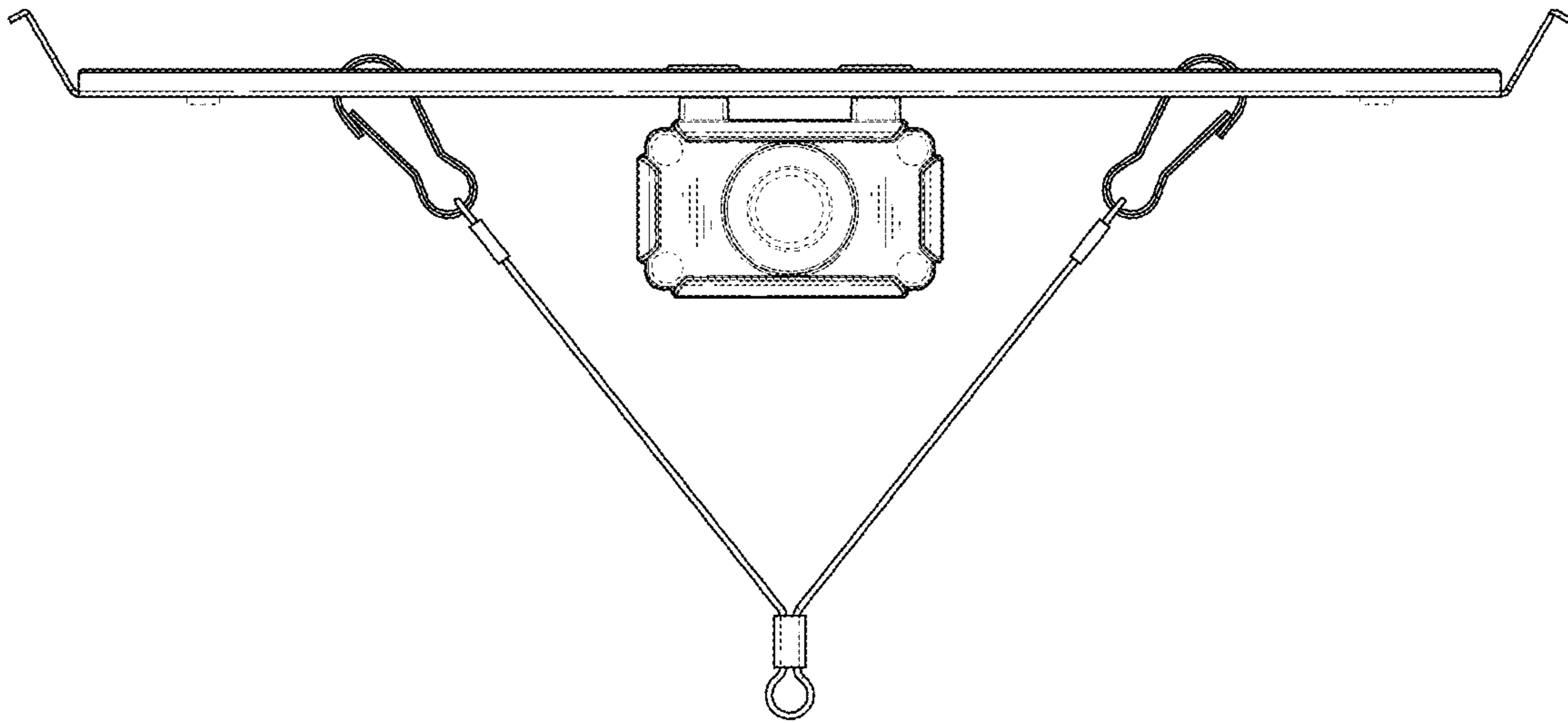


FIG. 7

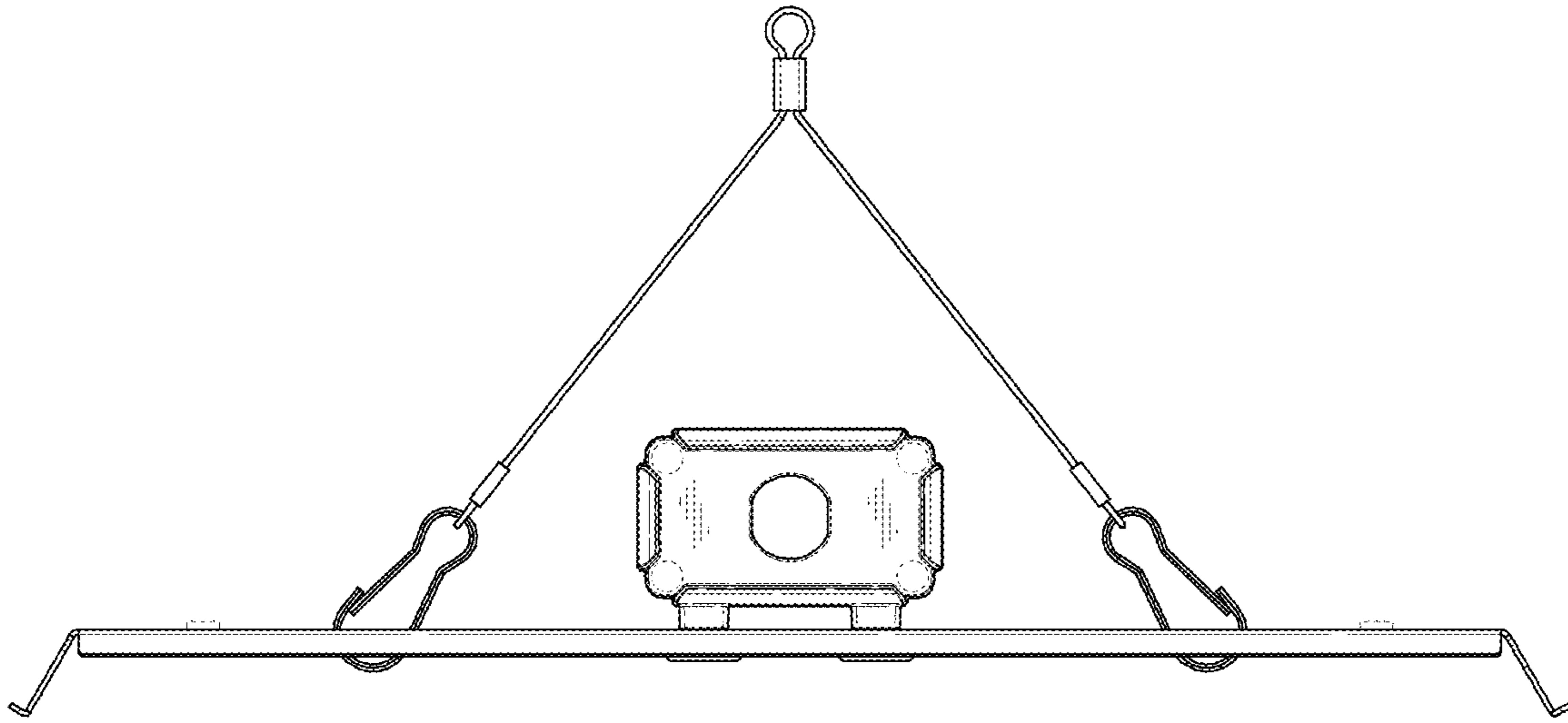


FIG. 8

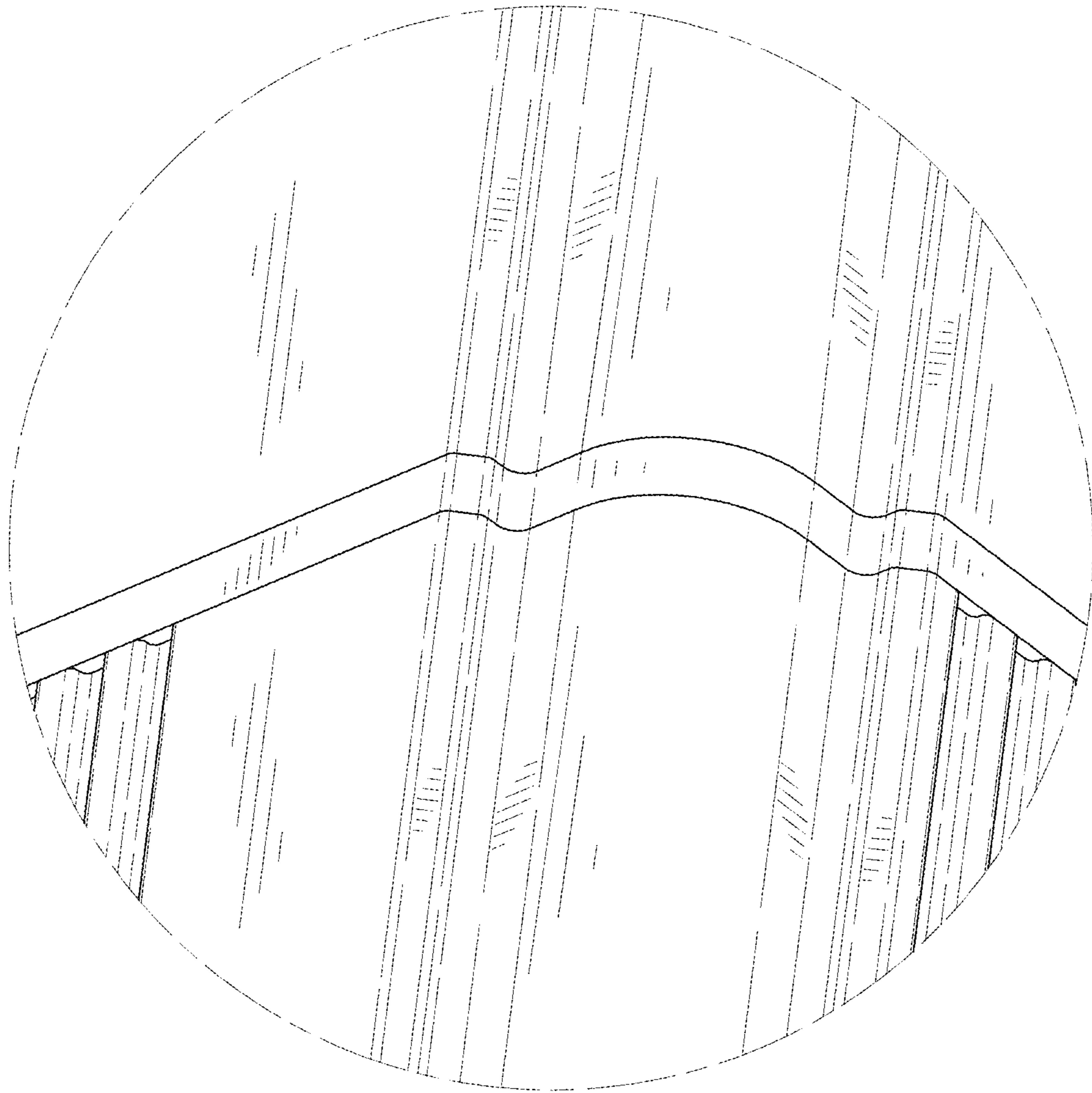


FIG. 9