



US00D975335S

(12) **United States Design Patent** (10) **Patent No.:** **US D975,335 S**  
**Ye et al.** (45) **Date of Patent:** **\*\* Jan. 10, 2023**

(54) **GROW LIGHT**

OTHER PUBLICATIONS

(71) Applicant: **Shenzhen Westland technology Co., Ltd.**, Shenzhen (CN)

Grow Light Full Spectrum, available in Amazon.com, oldest customer review date Oct. 12, 2020 [online], [site visited Aug. 19, 2022], Available from the internet URL: [https://www.amazon.com/GROPLANNER-Spectrum-Indoor-450Watts-Control/dp/B08DKYV518/ref=sr\\_1\\_12?keywords=grow+lights&qid=1660939161&sr=8-12](https://www.amazon.com/GROPLANNER-Spectrum-Indoor-450Watts-Control/dp/B08DKYV518/ref=sr_1_12?keywords=grow+lights&qid=1660939161&sr=8-12) (Year: 2020).\*

(72) Inventors: **Taijun Ye**, Shenzhen (CN); **Dequan Lin**, Shenzhen (CN); **Wuyi Li**, Shenzhen (CN); **Jianjun Huang**, Shenzhen (CN)

(Continued)

(\*\*) Term: **15 Years**

*Primary Examiner* — Brett Miller

*Assistant Examiner* — Jasmine L. Comedy

(21) Appl. No.: **29/797,042**

(74) *Attorney, Agent, or Firm* — Rumit Ranjit Kanakia

(22) Filed: **Jun. 29, 2021**

(51) **LOC (14) Cl.** ..... **26-04**

(57) **CLAIM**

(52) **U.S. Cl.**

The ornamental design for a grow light, as shown and described.

USPC ..... **D26/76**

(58) **Field of Classification Search**

**DESCRIPTION**

USPC ..... D26/76, 77, 85, 113, 72, 118; 362/223, 362/220, 249.15

CPC .. F21Y 2113/00; F21Y 2103/00; F21V 17/00; F21S 8/04; A01G 7/045; A01G 9/249

See application file for complete search history.

FIG. 1 is a first perspective view of a grow light showing my new design;

FIG. 2 is a second perspective view thereof;

FIG. 3 is a front view thereof;

FIG. 4 is a back view thereof;

FIG. 5 is a left side view thereof;

FIG. 6 is a right side view thereof;

FIG. 7 is a top view thereof;

FIG. 8 is a bottom view thereof;

FIG. 9 is an enlarged view of the selected portion in FIG. 1;

FIG. 10 is an enlarged view of the selected portion in FIG. 1;

FIG. 11 is an enlarged view of the selected portion in FIG. 2; and,

FIG. 12 is an enlarged view of the selected portion in FIG. 7.

The broken lines shown in the drawings depict portions of the grow light in which the design is embodied that form no part of the claimed design.

(56) **References Cited**

U.S. PATENT DOCUMENTS

D893,076 S *	8/2020	Liu	.....	D26/76
D893,077 S *	8/2020	Liu	.....	D26/76
D893,078 S *	8/2020	Liu	.....	D26/76
D910,222 S *	2/2021	Zhang	.....	D26/72
D925,105 S *	7/2021	Johnson	.....	D26/118
D927,770 S *	8/2021	Hu	.....	D26/118
D933,876 S *	10/2021	Lin	.....	D26/118
D934,481 S *	10/2021	Liu	.....	D26/76

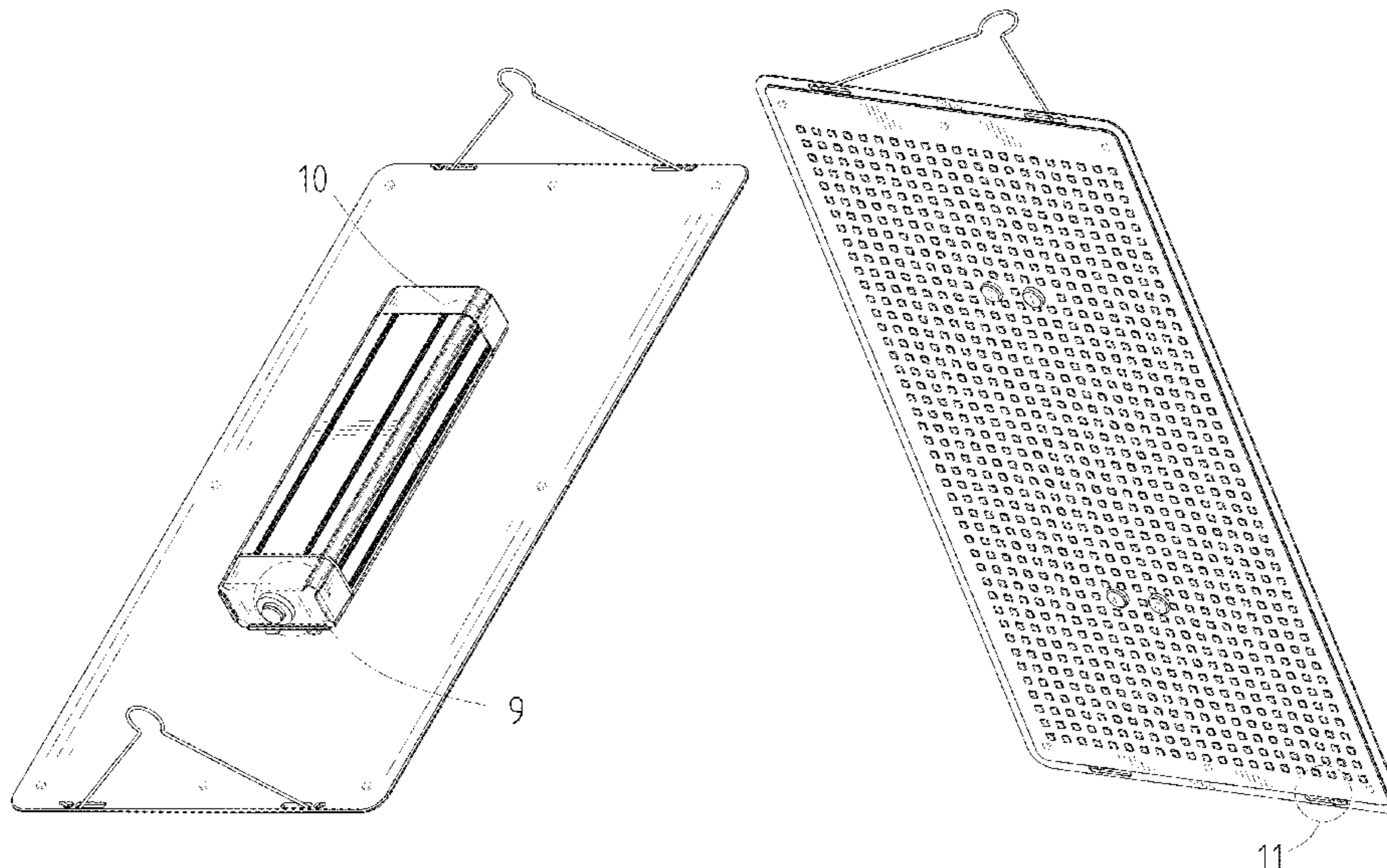
(Continued)

FOREIGN PATENT DOCUMENTS

CN	303808495	*	8/2016
CN	305871869	*	6/2020

(Continued)

**1 Claim, 12 Drawing Sheets**



(56)

**References Cited**

U.S. PATENT DOCUMENTS

D947,438 S \* 3/2022 Zhang ..... D26/76  
D951,514 S \* 5/2022 Shen ..... D26/76

FOREIGN PATENT DOCUMENTS

CN 306498424 \* 4/2021  
CN 306640324 \* 6/2021

OTHER PUBLICATIONS

FECiDA 600W LED Grow Light, available in Amazon.com, date first available Apr. 2, 2021 [online], [site visited Aug. 19, 2022], Available from the internet URL: [https://www.amazon.com/FECiDA-Dimmable-Spectrum-Seeding-Function/dp/B093BLNT14/ref=sr\\_1\\_49?keywords=grow+lights&qid=1660939161&sr=8-49](https://www.amazon.com/FECiDA-Dimmable-Spectrum-Seeding-Function/dp/B093BLNT14/ref=sr_1_49?keywords=grow+lights&qid=1660939161&sr=8-49) (Year: 2021).\*

Serwing 200W LED Grow Light Full Spectrum, available in Amazon.com, date first available Jan. 7, 2021 [online], [site visited Aug. 19, 2022], Available from the internet URL: <https://www.amazon.com/Grow-Light-Indoor-Plants-Cultivation/dp/B08SBW9B2G?th=1> (Year: 2021).\*

ACKE / Aceple 20W LED Grow Light Review, announced in YouTube on Jan. 20, 2019 [online], [site visited Aug. 19, 2022], Available from the internet URL: <https://www.youtube.com/watch?v=8abMZUI0ac4> (Year: 2019).\*

\* cited by examiner

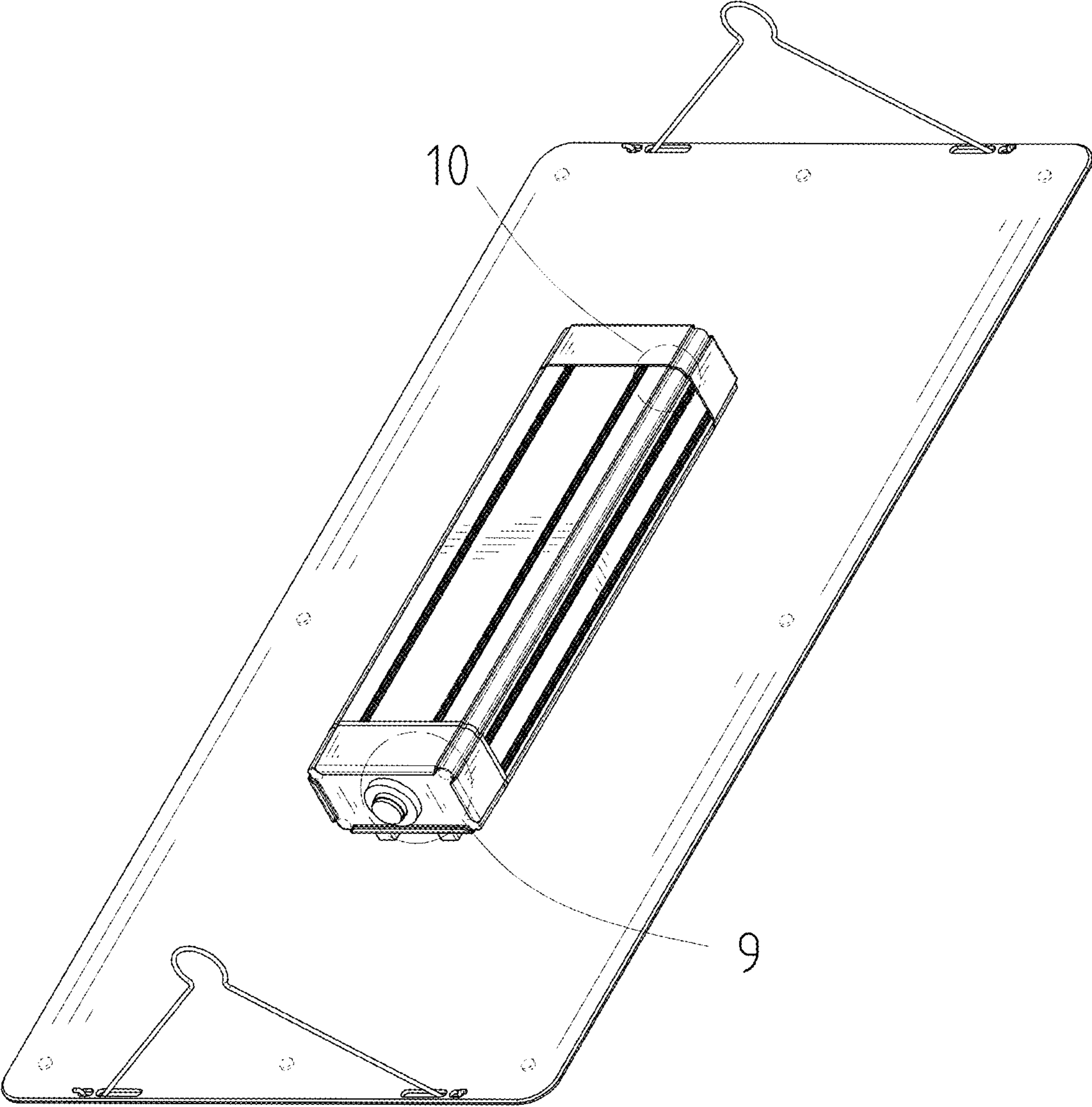


FIG. 1

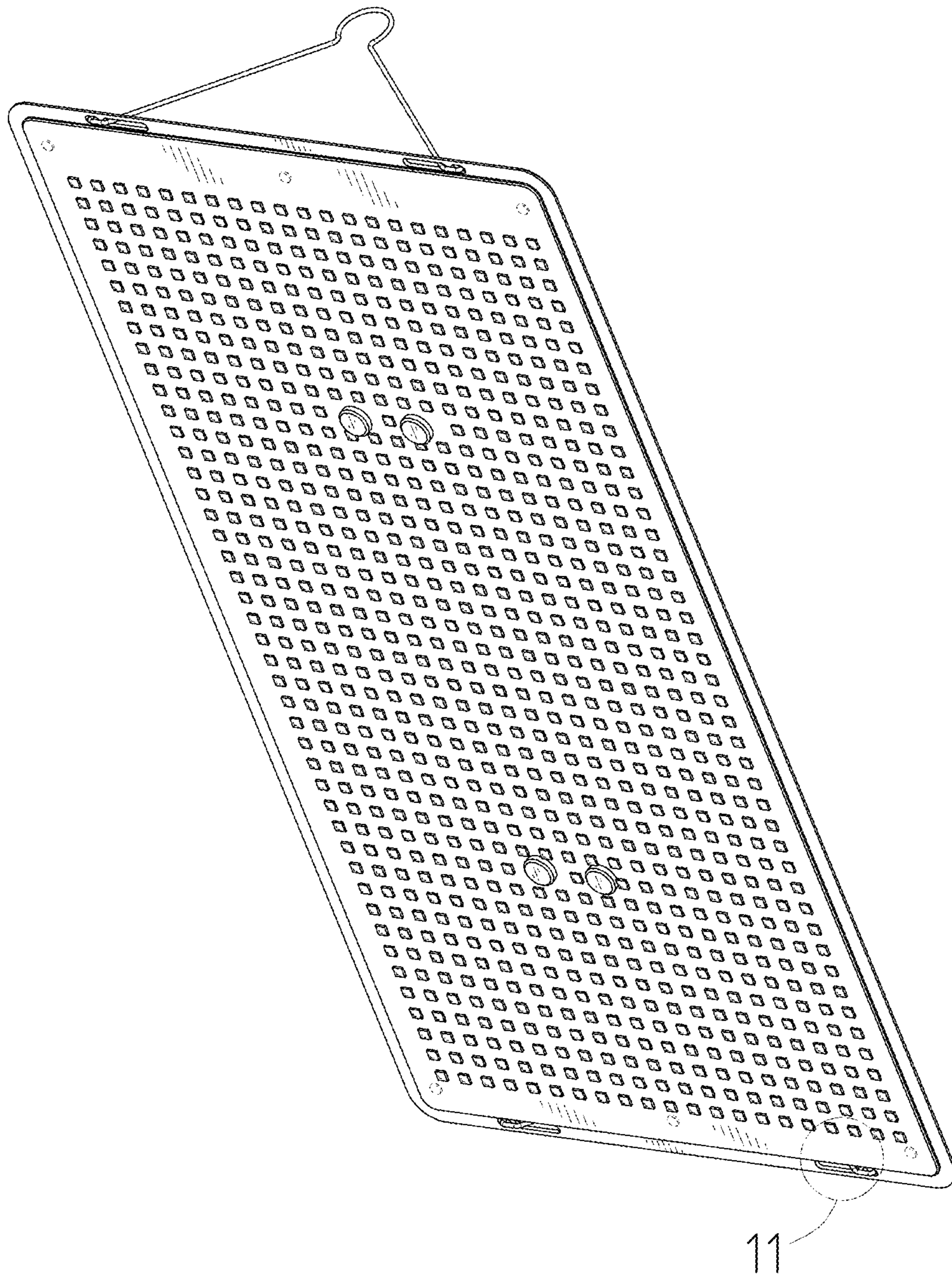


FIG. 2

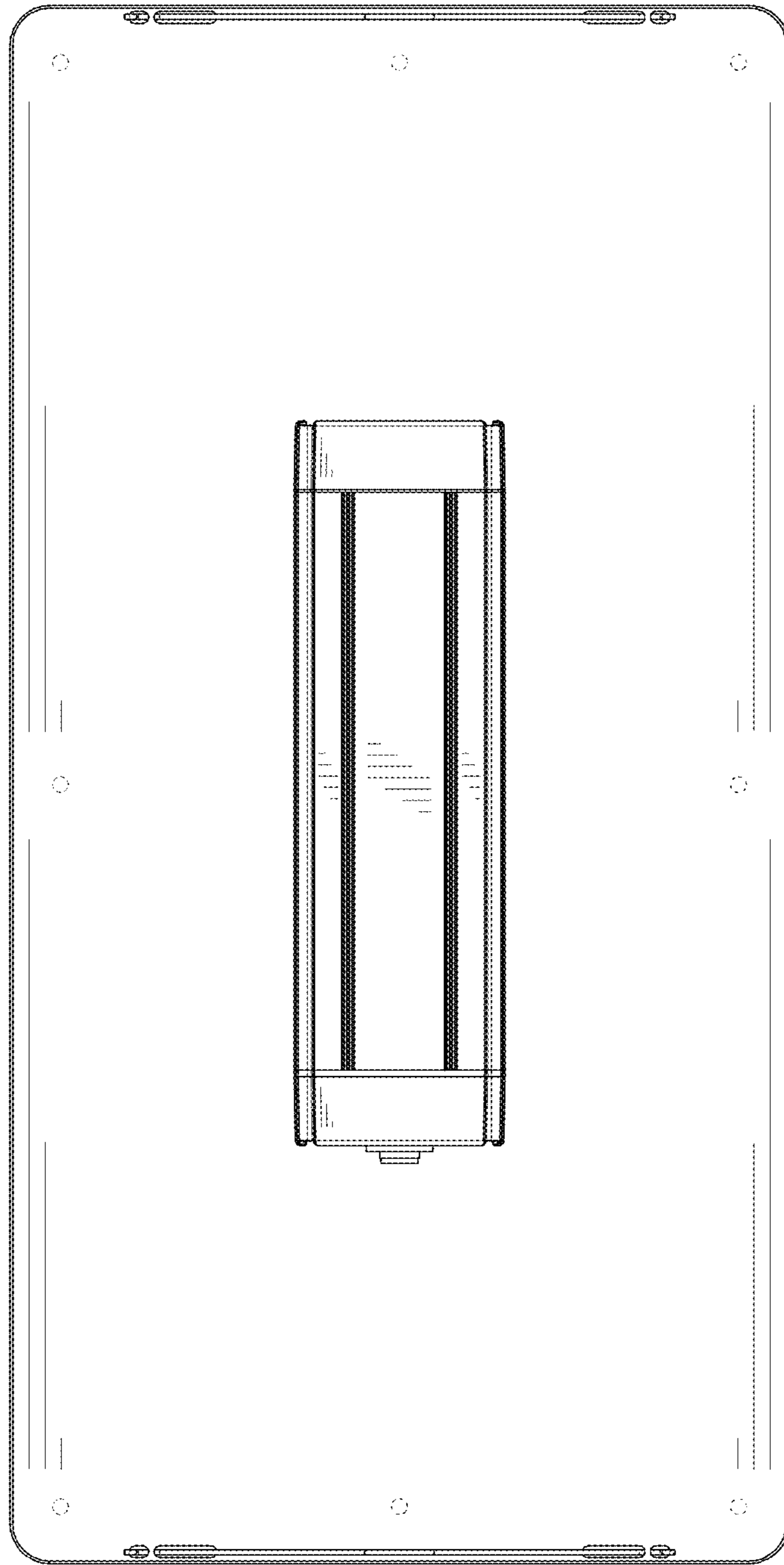


FIG. 3

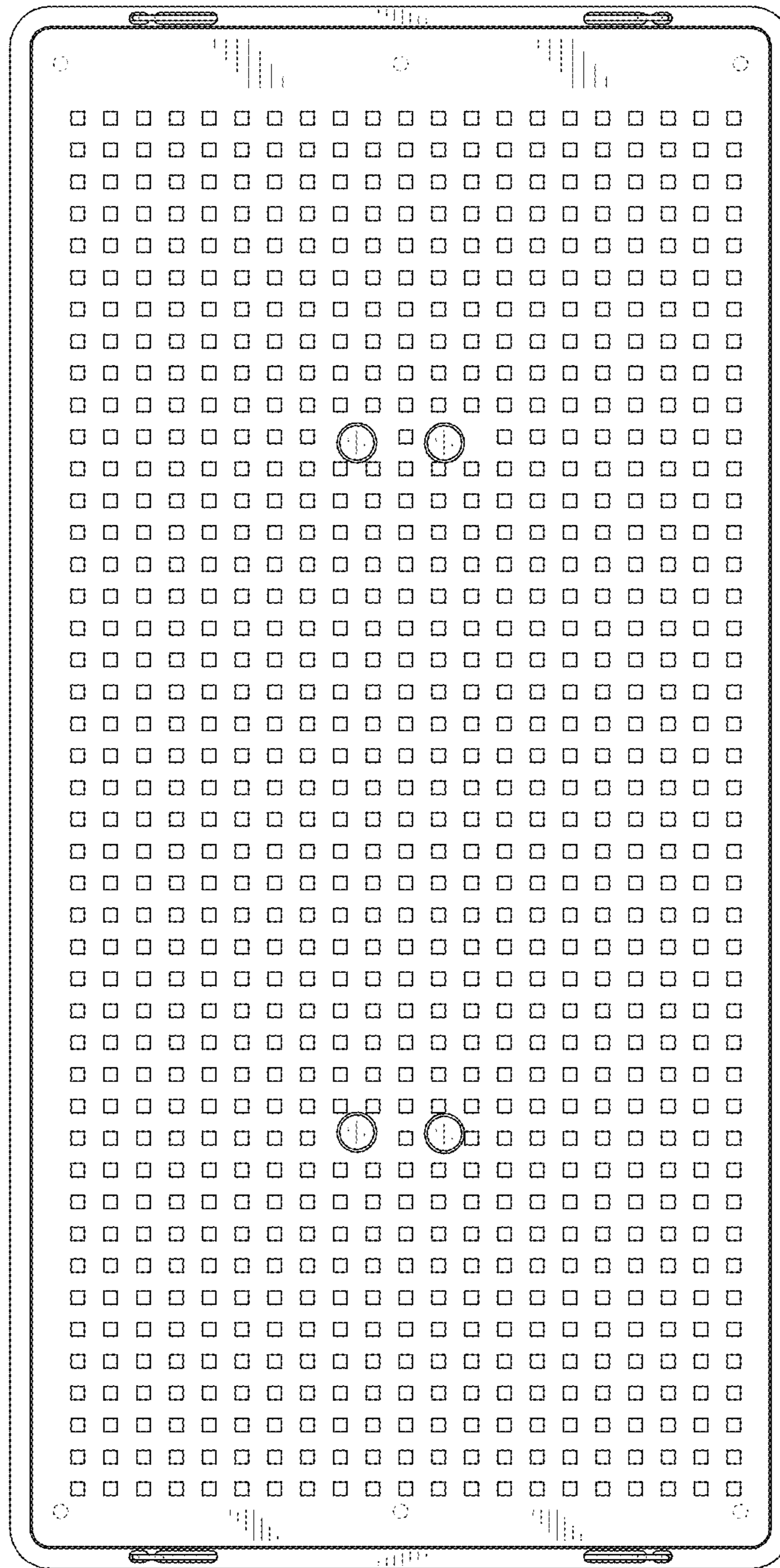


FIG. 4

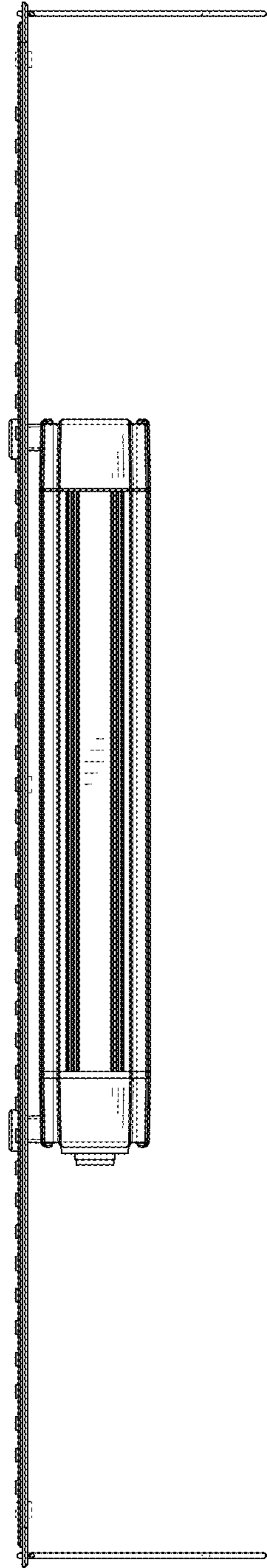


FIG. 5

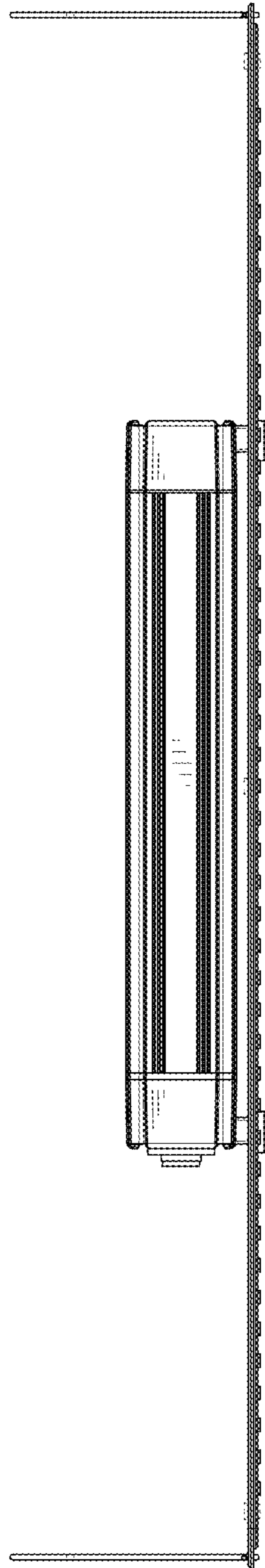


FIG. 6



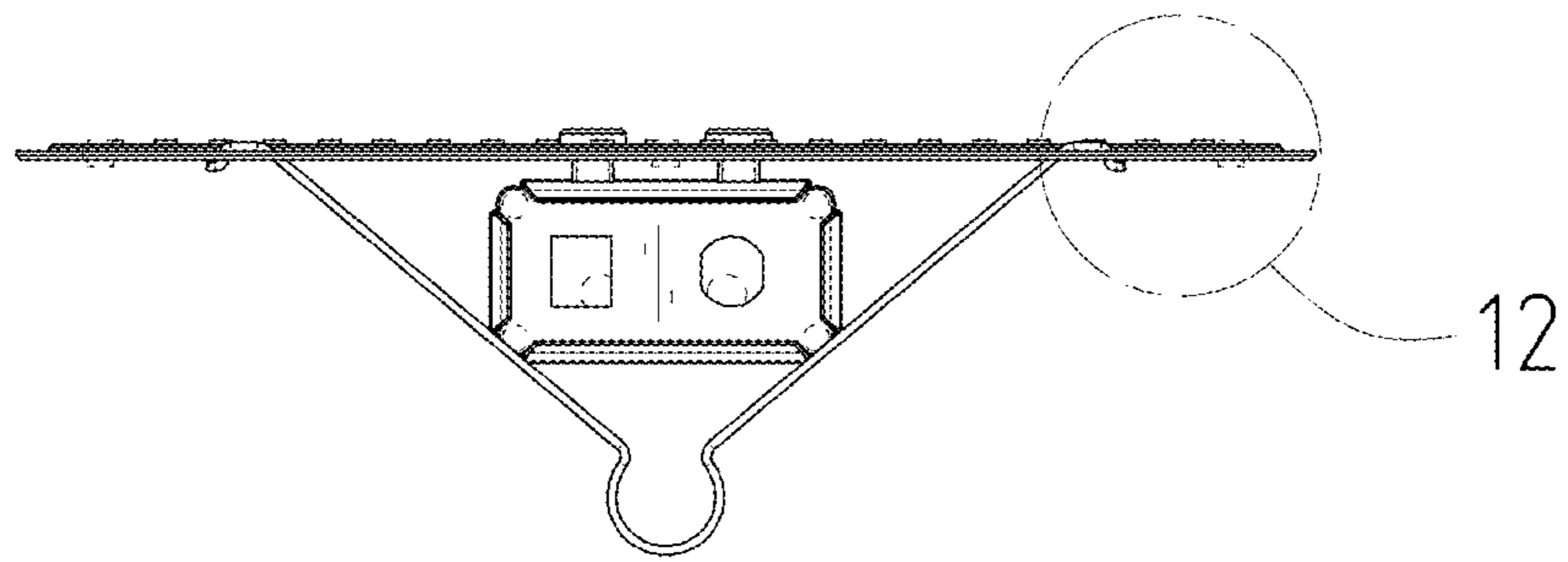


FIG. 7

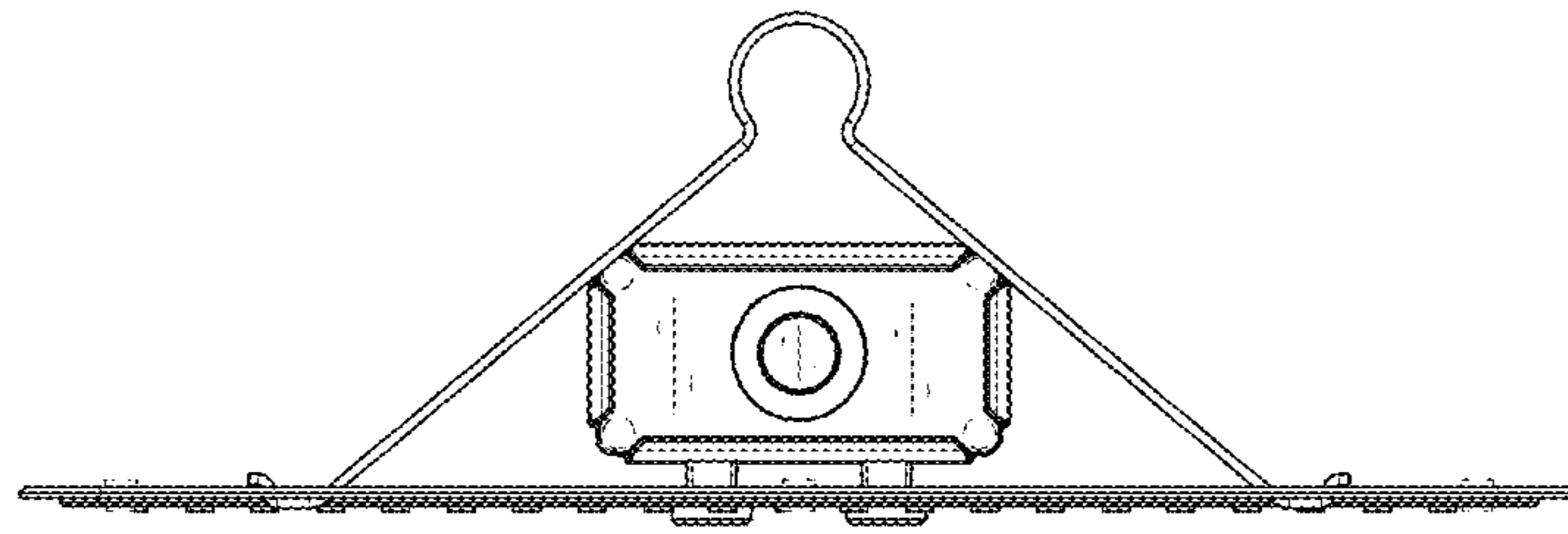


FIG. 8

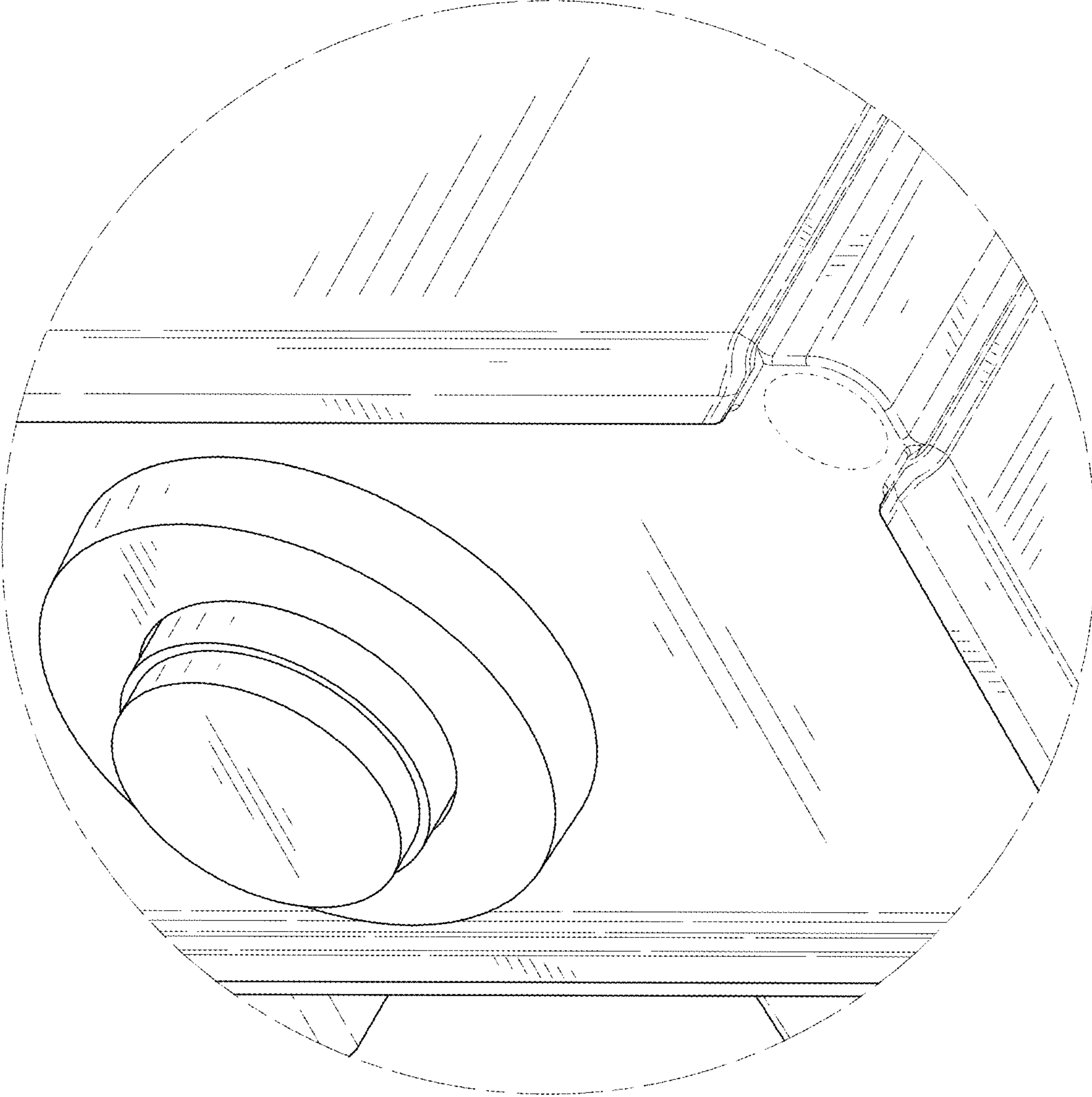


FIG. 9

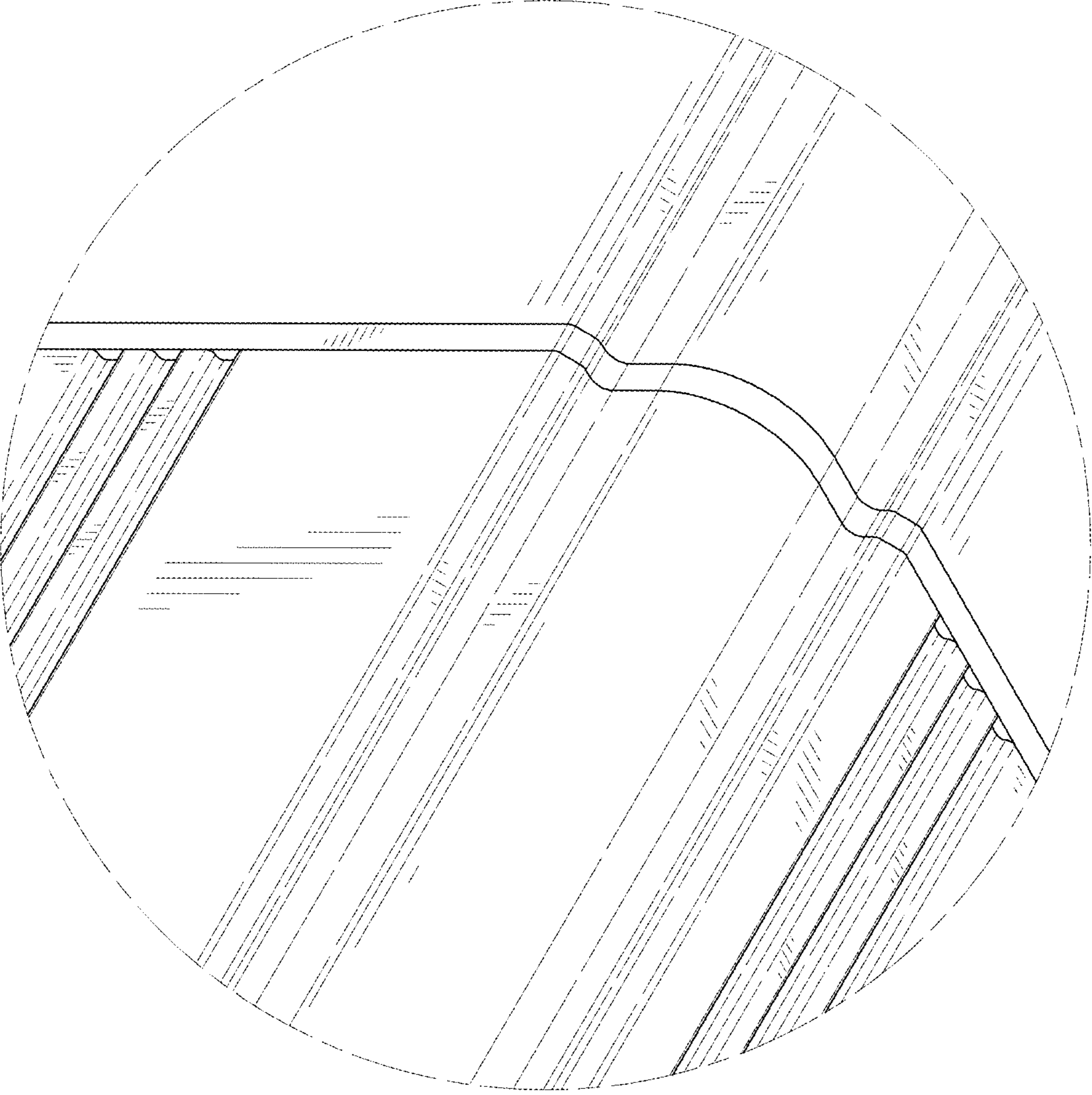


FIG. 10

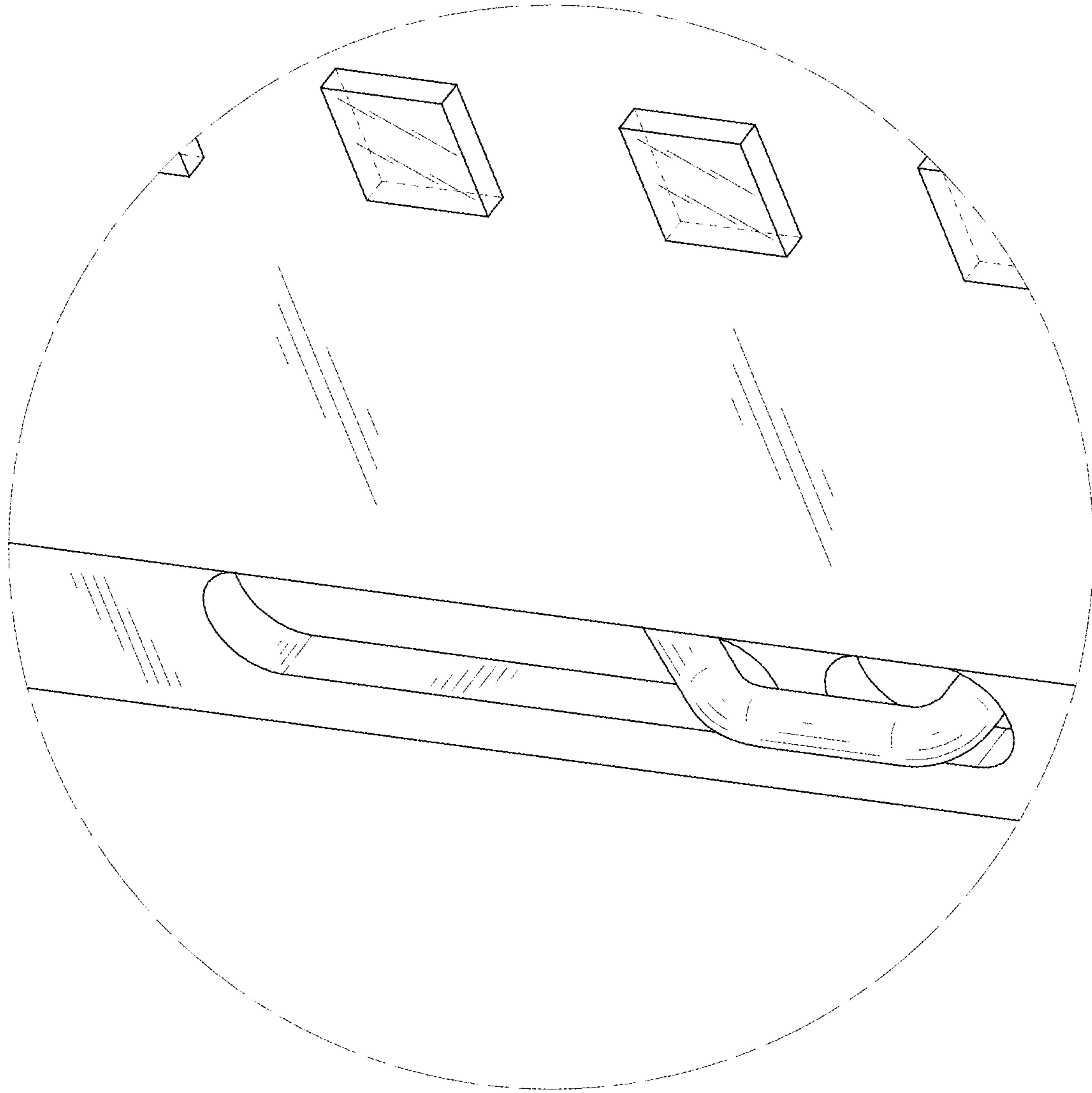


FIG. 11

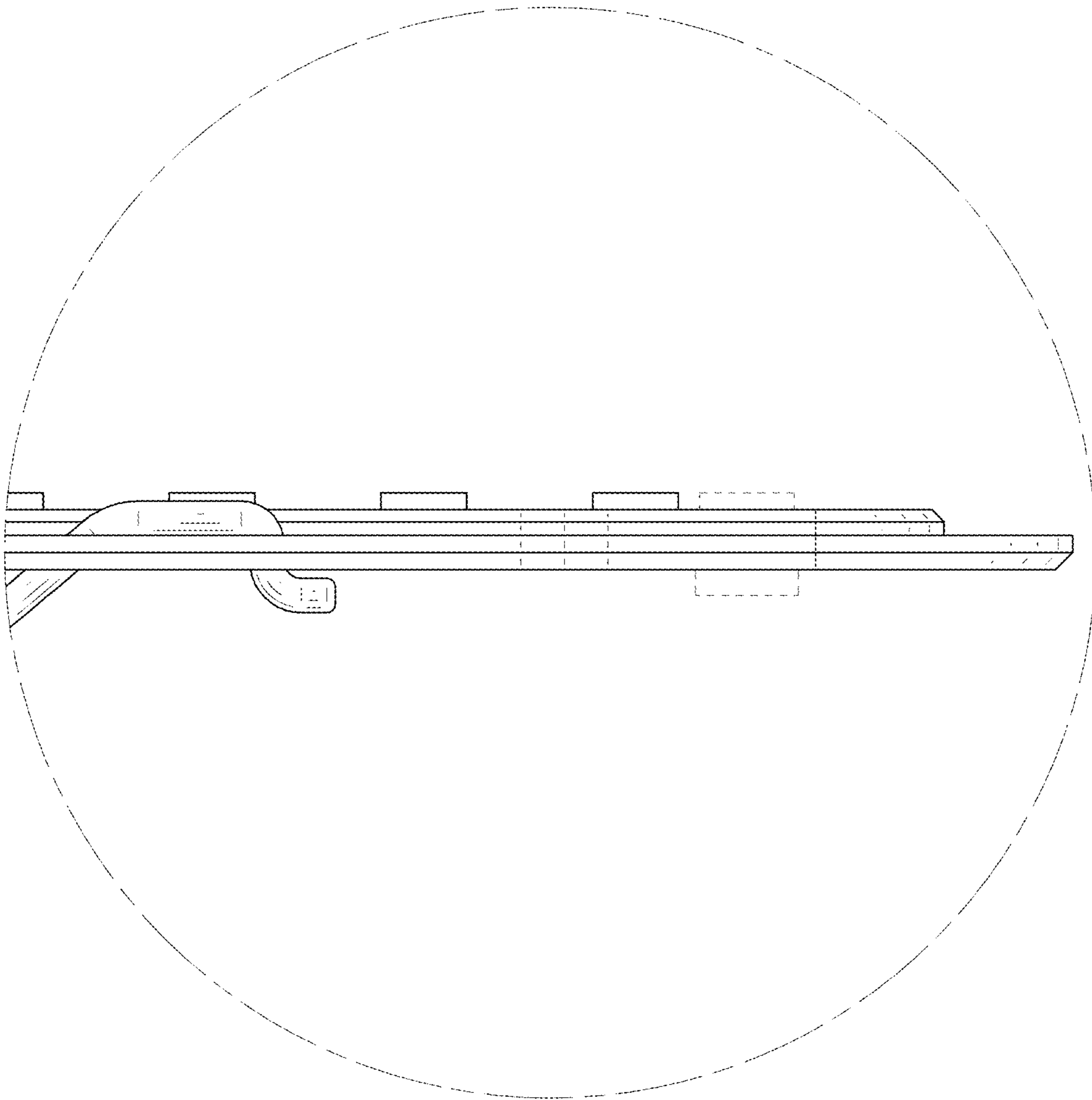


FIG. 12