



US00D975334S

(12) **United States Design Patent** (10) **Patent No.:** **US D975,334 S**
Qiu (45) **Date of Patent:** **** Jan. 10, 2023**

(54) **WALL LAMP**

(71) Applicant: **Jin Qiu**, Ganzhou (CN)

(72) Inventor: **Jin Qiu**, Ganzhou (CN)

(**) Term: **15 Years**

(21) Appl. No.: **29/775,277**

(22) Filed: **Mar. 22, 2021**

(51) **LOC (14) Cl.** **26-04**

(52) **U.S. Cl.**
USPC **D26/76; D26/72; D26/63**

(58) **Field of Classification Search**
USPC D26/24, 63-76, 85, 92
CPC .. F21S 8/033; F21S 8/036; F21S 8/024; F21S
8/03; Y02E 10/40; Y02E 10/50
See application file for complete search history.

(56) **References Cited**

U.S. PATENT DOCUMENTS

D625,870 S	*	10/2010	Feigenbaum	D26/63
D677,419 S	*	3/2013	Sauvage	D26/92
D714,481 S	*	9/2014	Moeller	D26/63
D720,487 S	*	12/2014	Moeller	D26/63
D723,727 S	*	3/2015	Moeller	D26/63
D731,688 S	*	6/2015	Piano	D26/63
D752,797 S	*	3/2016	Moeller	D26/63
D805,673 S	*	12/2017	Dai	D26/63
D818,170 S	*	5/2018	Mou	D26/63
D842,526 S	*	3/2019	Zhuo	D26/85
D862,759 S	*	10/2019	Mo	D26/65

OTHER PUBLICATIONS

Jackyled Solar Powered Spotlight, available in Amazon.com, date first available Jul. 6, 2020 [online], [site visited Oct. 12, 2022],

Available from the internet URL: <https://www.amazon.com/JACKYLED-Spotlights-Waterproof-Security-Lighting/dp/B08CDWLDS9?th=1> (Year: 2020).*
LED Wall Light Solar Lights Automatic Light Control Security Lights, available in Amazon.com, date first available Mar. 3, 2020 [online], [site visited Nov. 2, 2022], Available from the internet URL: <https://www.amazon.com/Light-Solar-Automatic-Security-Waterproof/dp/B07D9M64KB> (Year: 2020).*
Solar Motion Sensor Light Outdoor, available in Amazon.com, date first available Dec. 22, 2016 [online], [site visited Nov. 2, 2022], Available from the internet URL: <https://a.co/d/0ZWDOhz> (Year: 2016).*

* cited by examiner

Primary Examiner — Brett Miller

Assistant Examiner — Jasmine L. Comedy

(74) *Attorney, Agent, or Firm* — Sandy Lipkin

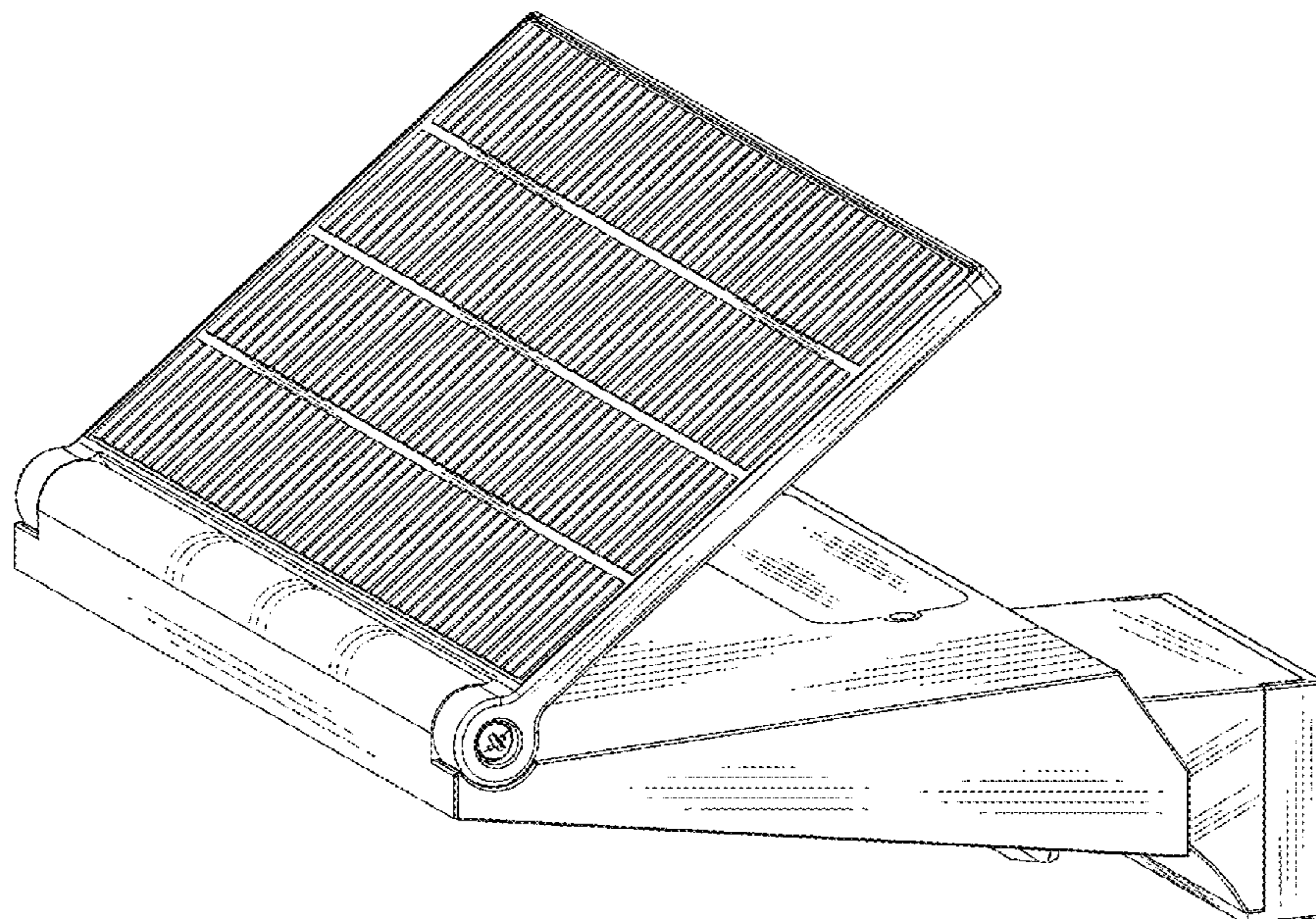
(57) **CLAIM**

The ornamental design for a wall lamp, as shown and described.

DESCRIPTION

FIG. 1 is a front view of a wall lamp, showing my new design;
FIG. 2 is a top plan view thereof;
FIG. 3 is a bottom plan view thereof;
FIG. 4 is a rear plan view thereof;
FIG. 5 is a left plan view thereof;
FIG. 6 is a right plan view thereof; and,
FIG. 7 is a perspective view thereof.

1 Claim, 7 Drawing Sheets



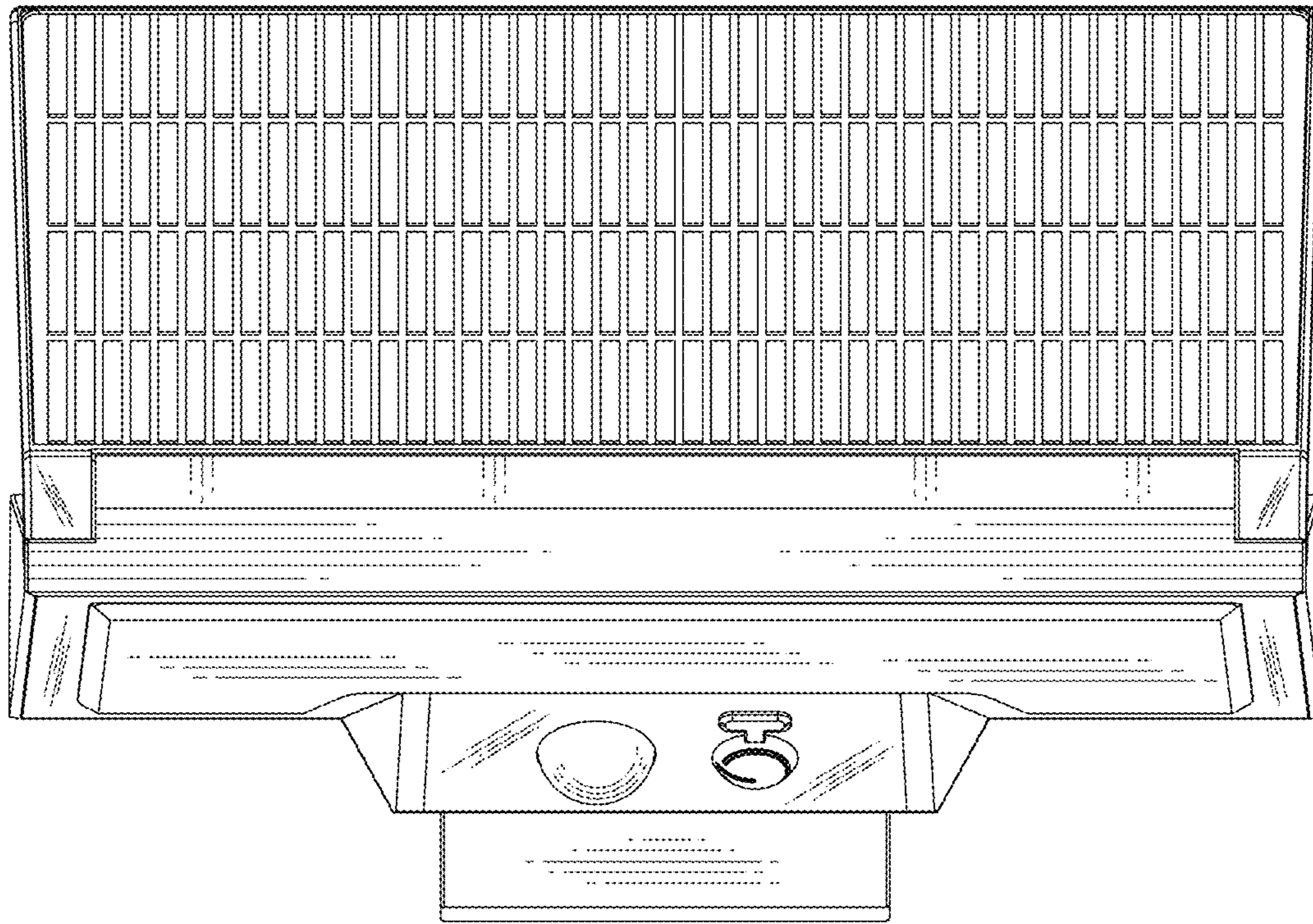


FIG. 1

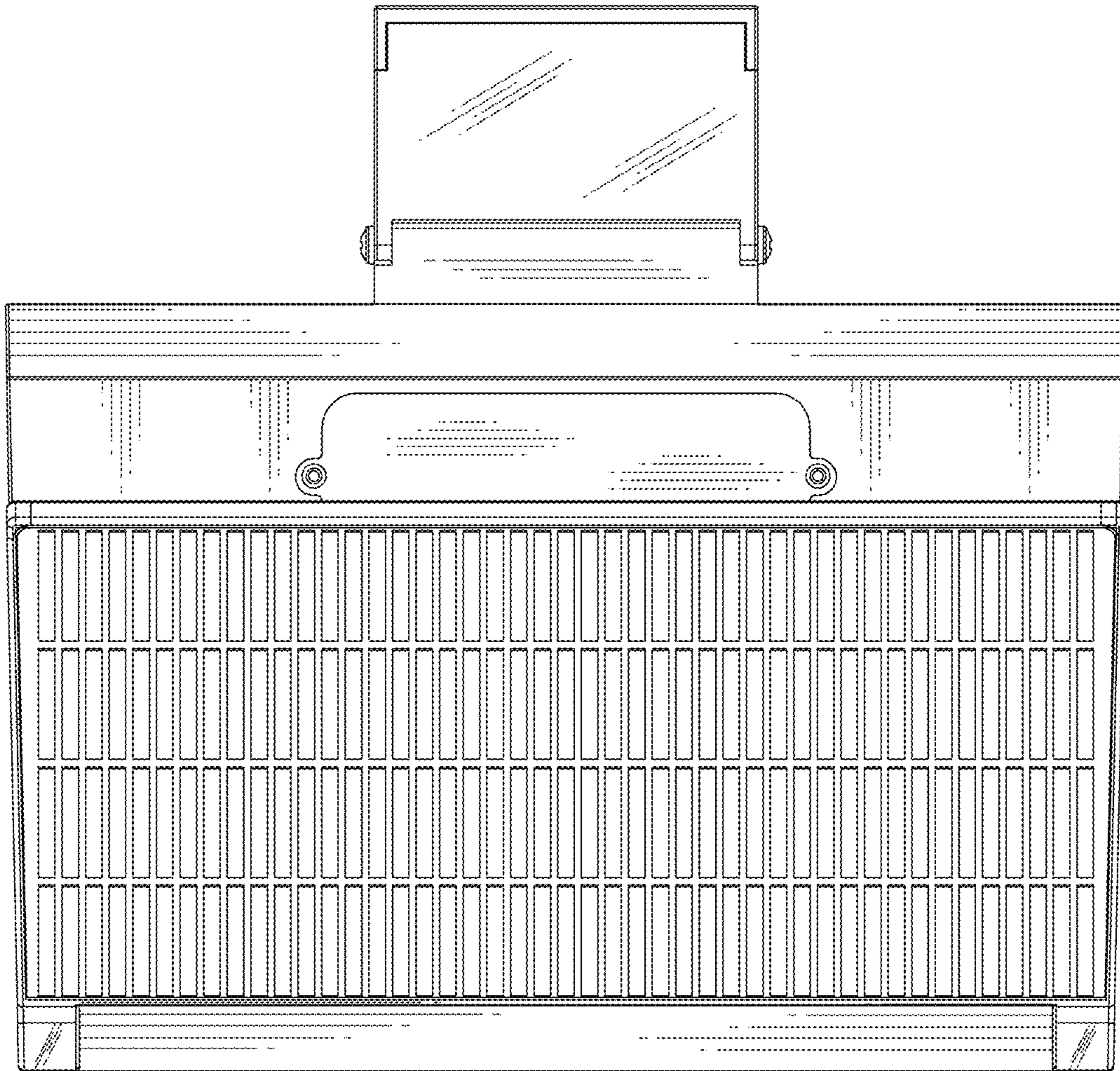


FIG. 2

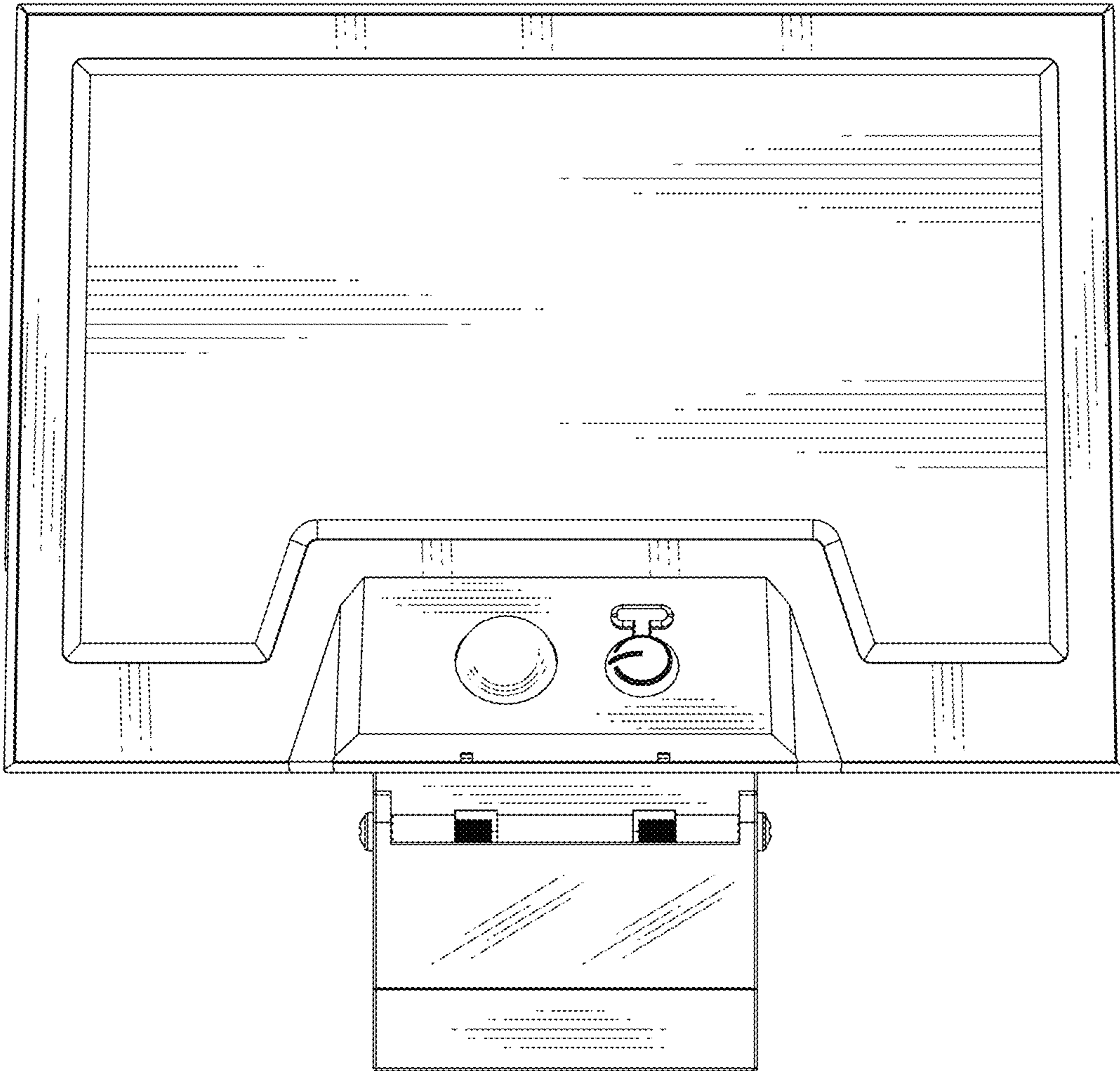


FIG. 3

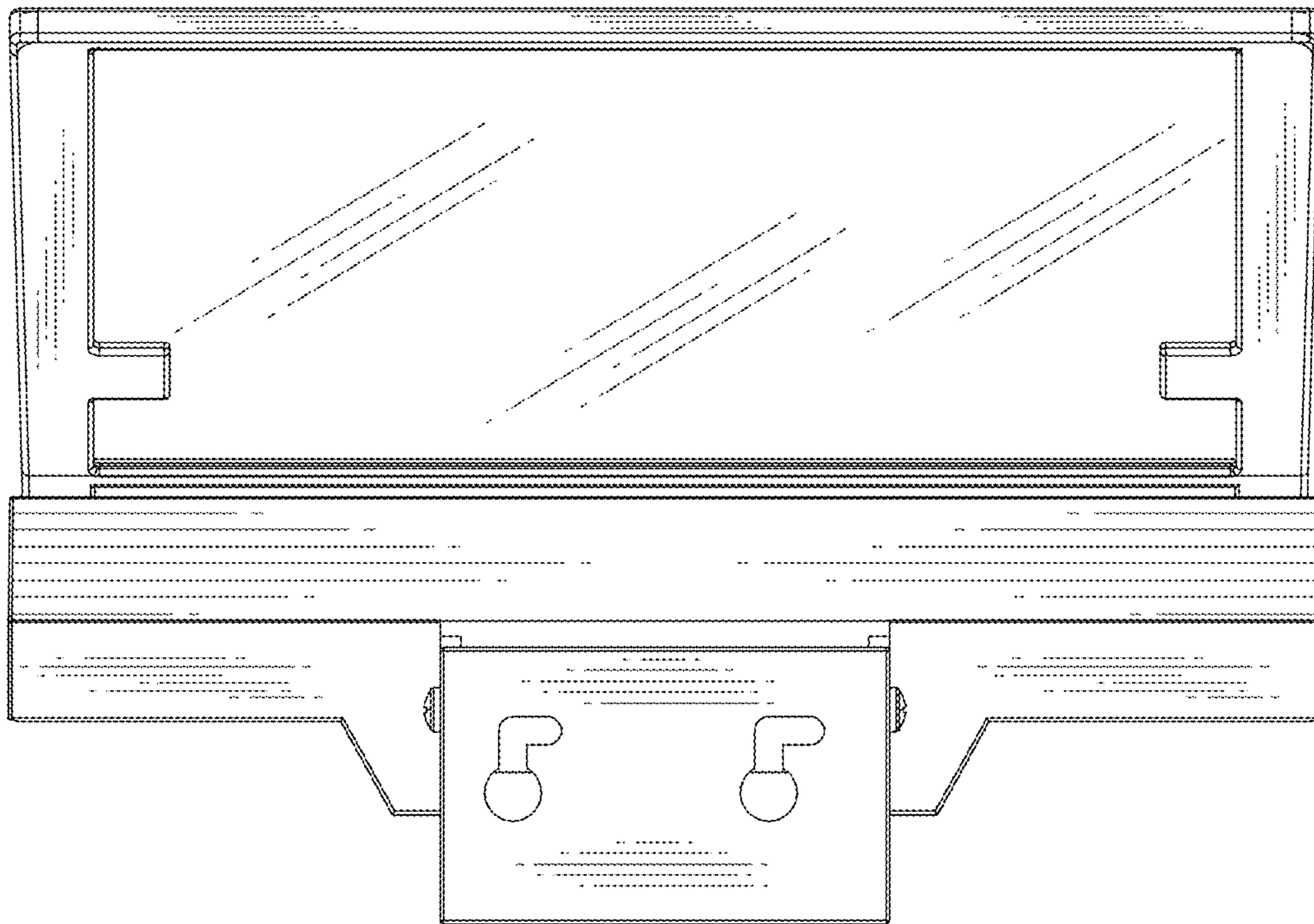


FIG. 4

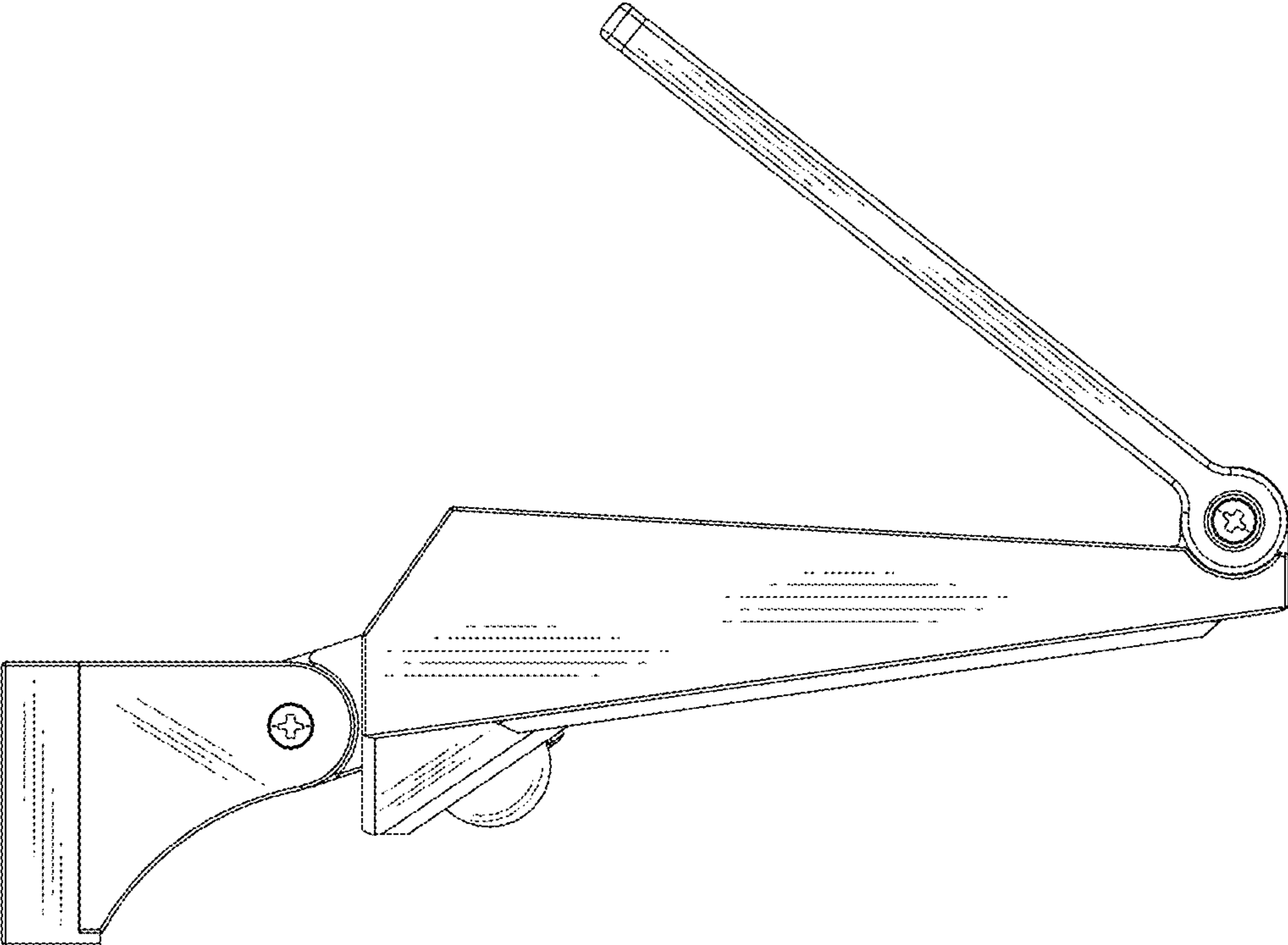


FIG. 5

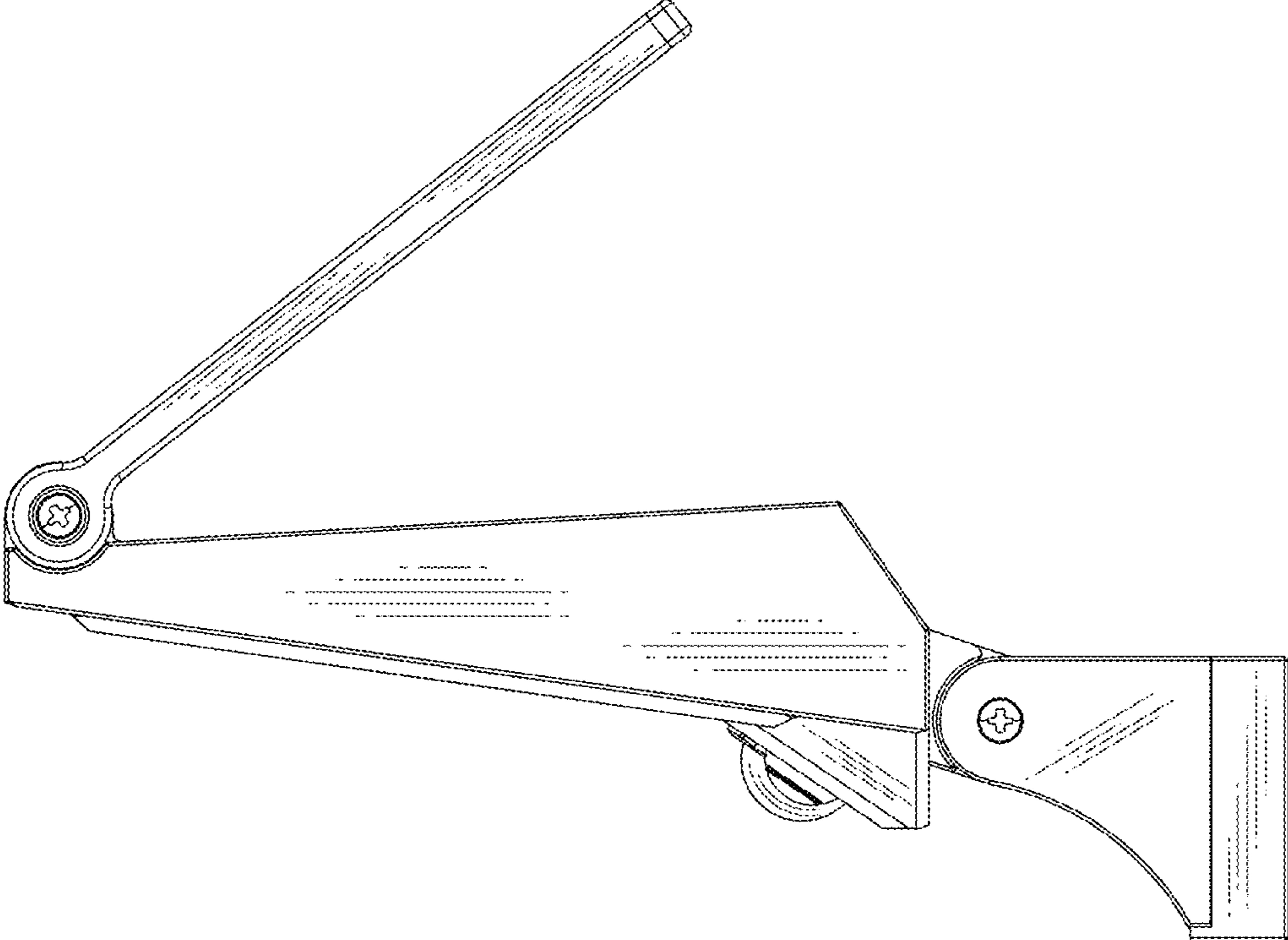


FIG. 6

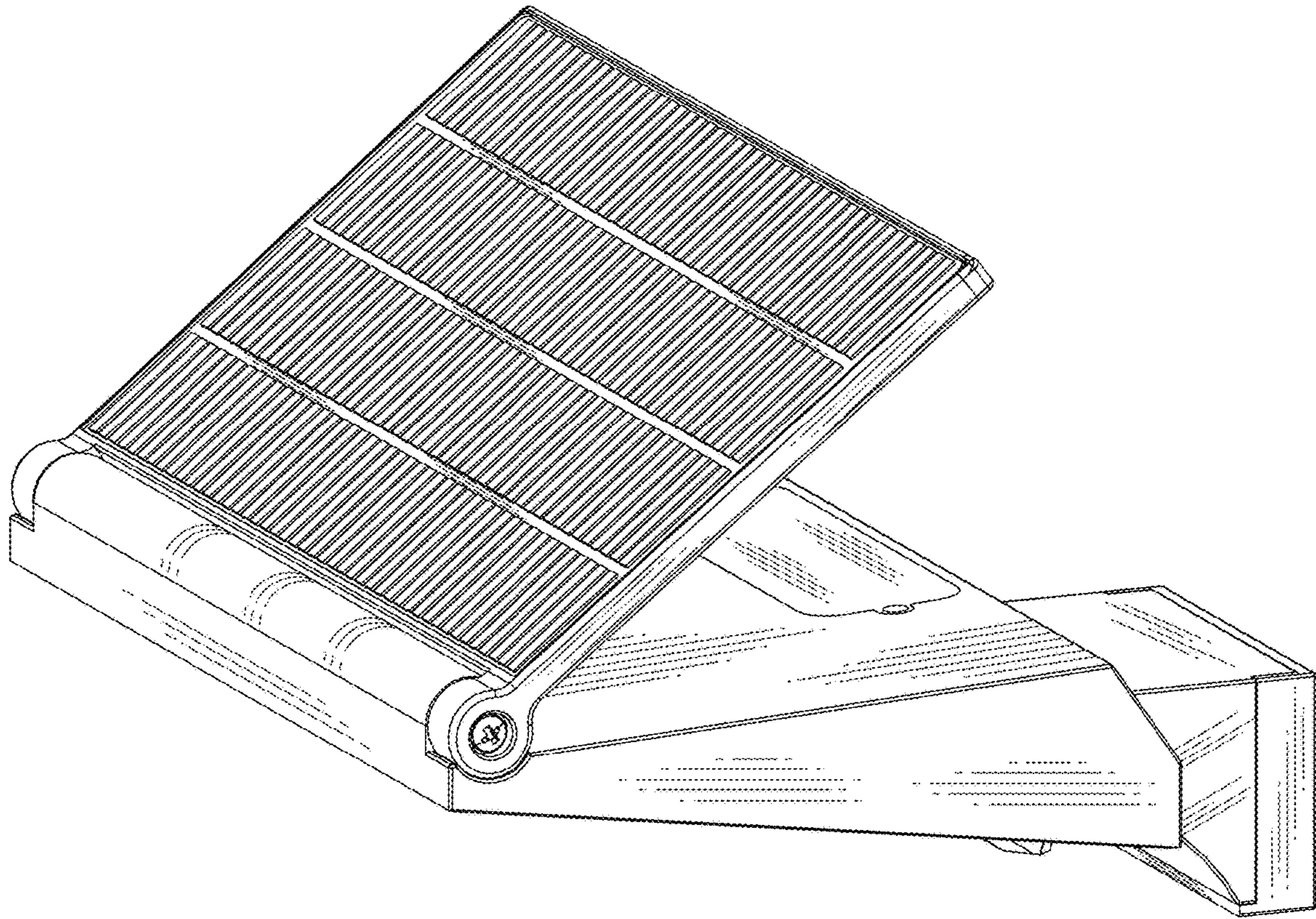


FIG. 7