



US00D975333S

(12) **United States Design Patent** (10) **Patent No.:** **US D975,333 S**  
**Chen et al.** (45) **Date of Patent:** **\*\* \*Jan. 10, 2023**

(54) **PLANT LAMP**

2113/13; F21Y 2103/10; F21Y 2113/10;  
F21Y 2105/00; F21Y 2105/10; F21Y  
2115/00

(71) Applicant: **Shenzhen Longood Intelligent Electric Co., Ltd.**, Guangdong (CN)

See application file for complete search history.

(72) Inventors: **Zhigao Chen**, Shenzhen (CN);  
**Qingsong Chu**, Shenzhen (CN); **Yujie Zhang**, Shenzhen (CN)

(56) **References Cited**

U.S. PATENT DOCUMENTS

(73) Assignee: **Shenzhen Longood Intelligent Electric Co., Ltd.**, Guangdong (CN)

D633,632 S *	3/2011	Culbert	.....	D26/24
D822,881 S *	7/2018	Drew	.....	D26/118
D843,640 S *	3/2019	Stanley	.....	D26/118
10,238,043 B1 *	3/2019	Vardi	.....	F21S 4/00
D848,665 S *	5/2019	Stanley	.....	D26/118
D851,814 S *	6/2019	Stanley	.....	D26/118

(Continued)

(\*) Notice: This patent is subject to a terminal disclaimer.

(\*\*) Term: **15 Years**

OTHER PUBLICATIONS

(21) Appl. No.: **29/684,679**

Growers Choice Master Pursuit 1000 Watt CMH Grow Light. By Hydrobuilder. Dated Feb. 2, 2019. Found online [Aug. 16, 2021]. <https://hydrobuilder.com/growers-choice-master-pursuit-1000w-cmh-grow-light-system-with-dual-cmh-bulbs.html> (Year: 2019).\*

(22) Filed: **Mar. 22, 2019**

(30) **Foreign Application Priority Data**

Jan. 18, 2019 (CN) ..... 201930028475.5

*Primary Examiner* — Marissa J Cash

*Assistant Examiner* — William B Melliar

(51) **LOC (14) Cl.** ..... **26-04**

(74) *Attorney, Agent, or Firm* — Banner & Witcoff, Ltd.

(52) **U.S. Cl.**

USPC ..... **D26/76; D26/118**

(58) **Field of Classification Search**

(57) **CLAIM**

USPC ..... D26/24, 26, 37–52, 55, 58, 61–62, 87,  
D26/92–93, 101–102, 113, 118, 127, 76,  
D26/80; D11/143–145, 152, 155

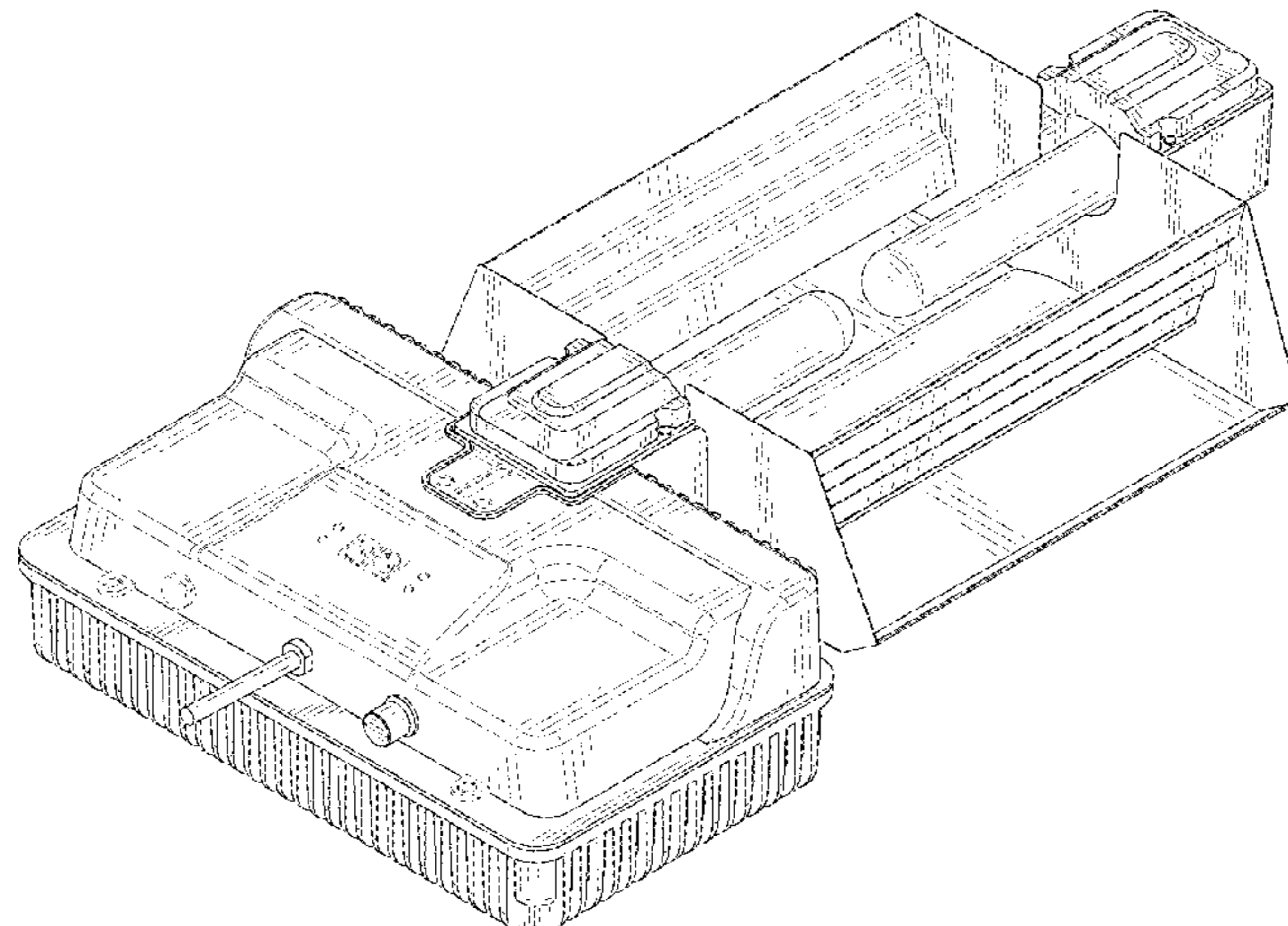
The ornamental design for a plant lamp, as shown and described.

CPC ..... A01G 7/045; A01G 9/249; A01G 9/20;  
A01G 7/00; A01G 22/05; A01G 31/00;  
A01G 31/02; A01G 7/06; A01G 22/15;  
A01G 7/04; A01G 22/40; A01G 22/60;  
A01G 9/00; A01G 9/16; A01G 9/18;  
A01G 9/243; A01G 9/246; A01G  
2031/006; A01G 22/25; A01G 22/35;  
A01G 22/63; A01G 25/167; A01G 27/00;  
A01G 31/06; A01G 33/00; A01G 7/02;  
A01G 9/02; A01G 9/14; Y02P 60/14;  
Y02P 60/12; Y02P 60/124; Y02P 60/21;  
Y02P 60/216; F21Y 2115/10; F21Y

**DESCRIPTION**

FIG. 1 is a front, bottom, and right perspective view of a plant lamp showing my new design;  
FIG. 2 is a rear, top and left perspective view thereof;  
FIG. 3 is a front elevational view of;  
FIG. 4 is a rear elevational view thereof;  
FIG. 5 is a left side elevational view thereof;  
FIG. 6 is a right side elevational view thereof;  
FIG. 7 is a top plan view thereof; and,  
FIG. 8 is a bottom plan view thereof.

(Continued)



The broken lines in the drawings depict portions of the plant lamp which form no part of the claimed design.

**1 Claim, 8 Drawing Sheets**

(56)

**References Cited**

U.S. PATENT DOCUMENTS

D855,238	S	*	7/2019	Stanley	.....	D26/76
D869,050	S	*	12/2019	Scarlata	.....	D26/76
D871,654	S	*	12/2019	Reynolds	.....	D26/118
D889,024	S	*	6/2020	Deng	.....	D26/118
D895,891	S	*	9/2020	Reynolds	.....	D26/118
D897,029	S	*	9/2020	Stanley	.....	D26/118
D901,061	S	*	11/2020	Stanley	.....	D26/76
2018/0292056	A1	*	10/2018	Kim	.....	F21S 8/086
2019/0327911	A1	*	10/2019	Montagano	.....	A01G 9/16

\* cited by examiner

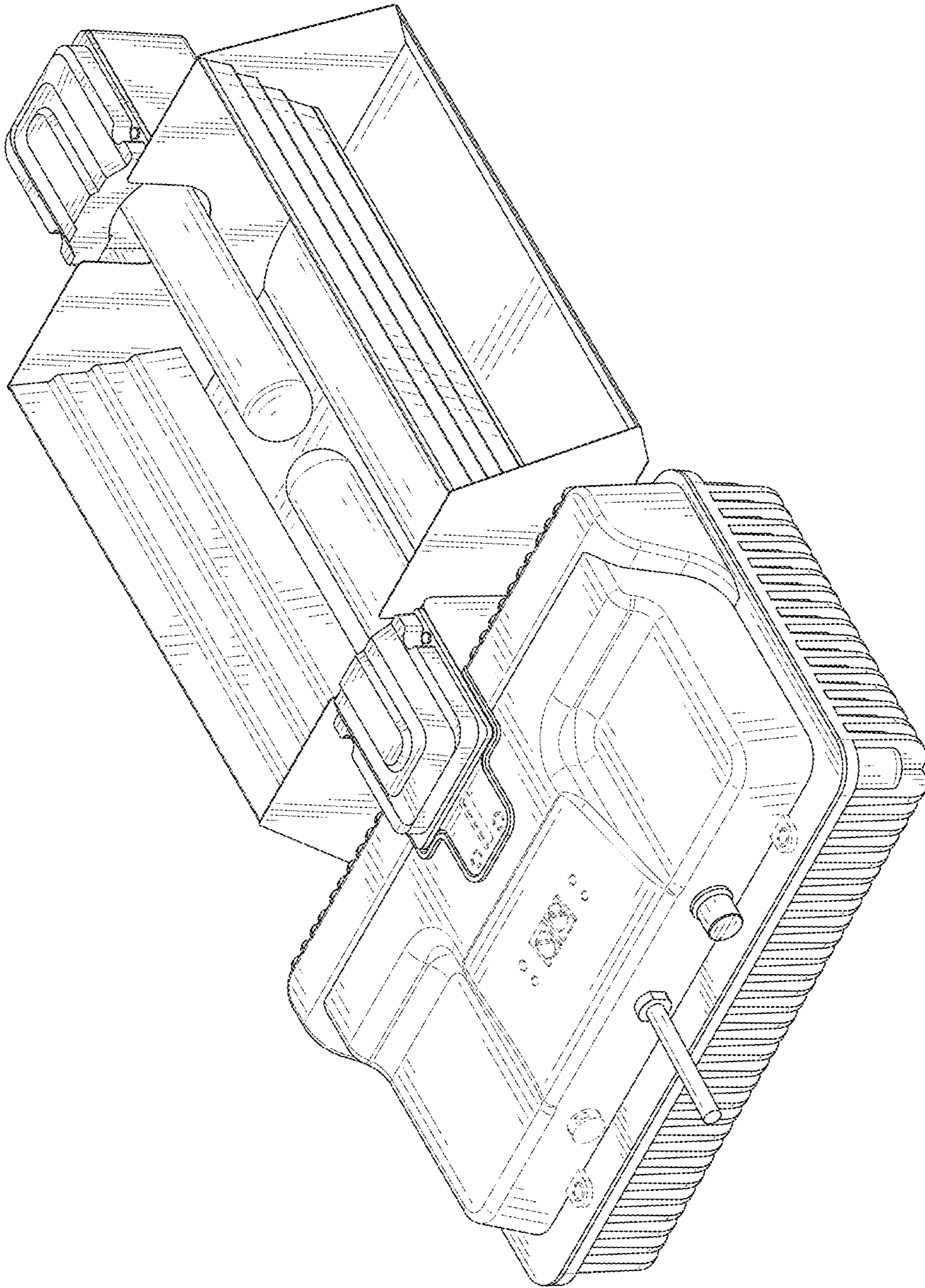


FIG. 1

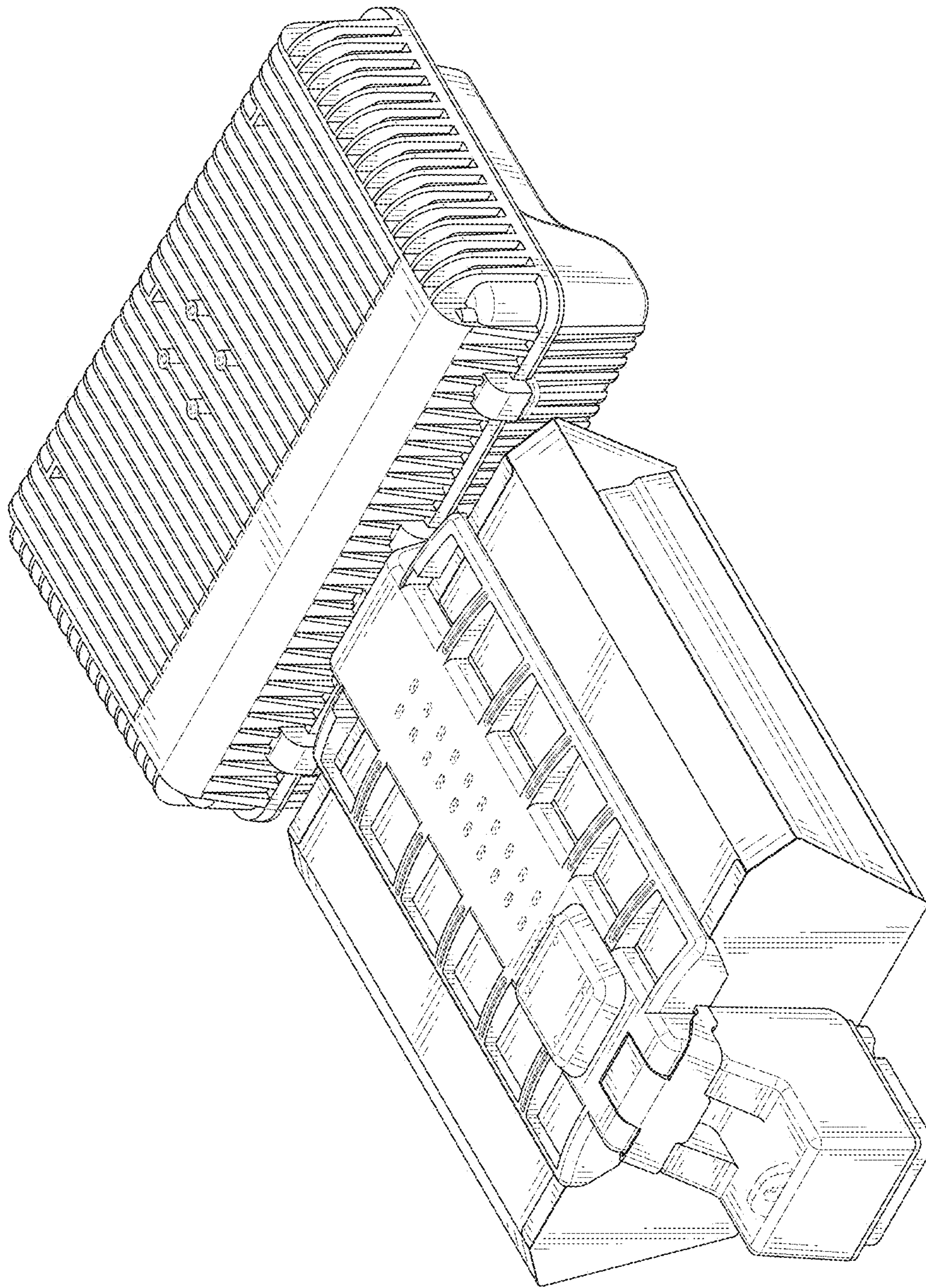


FIG. 2

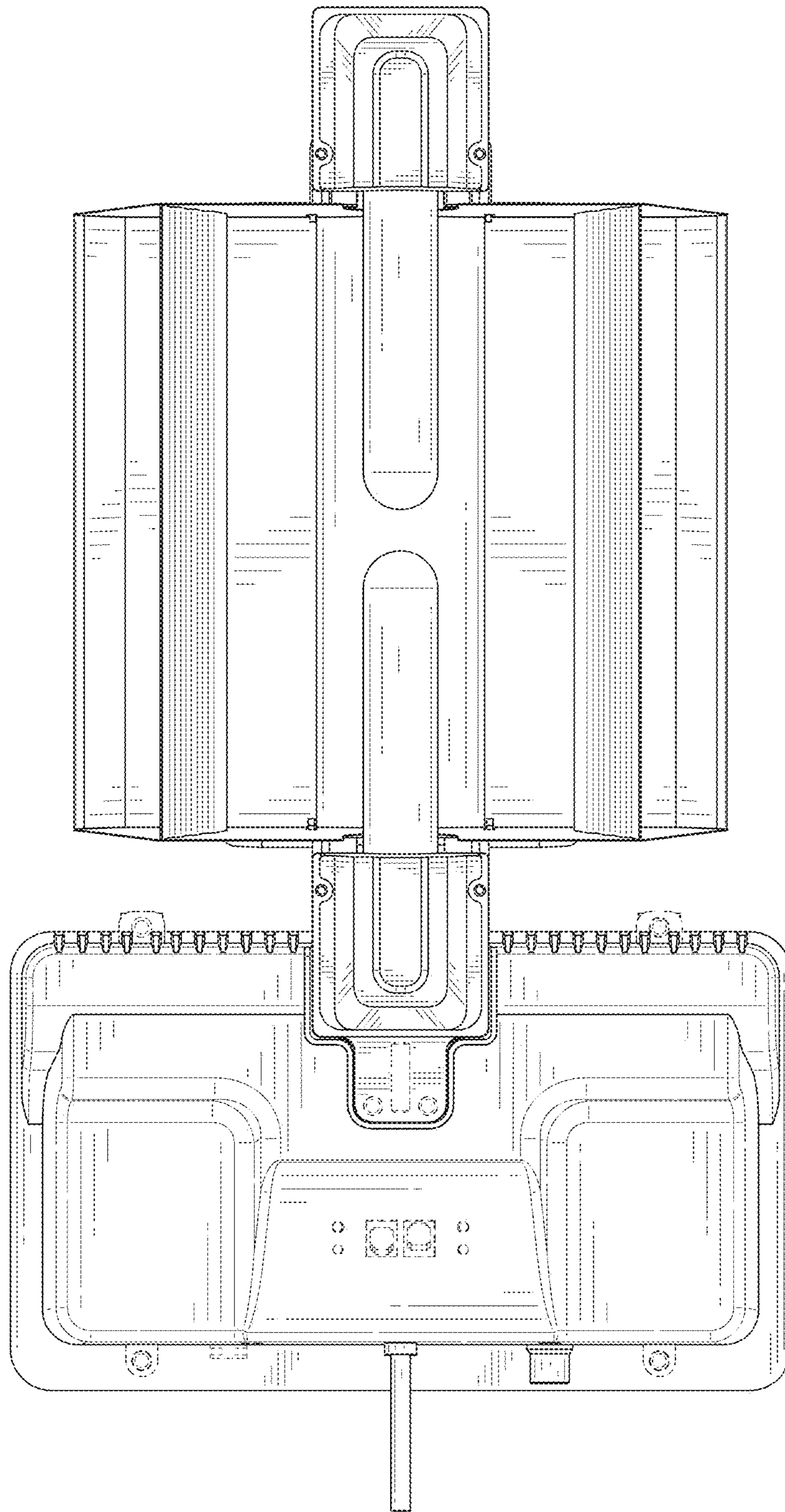


FIG. 3

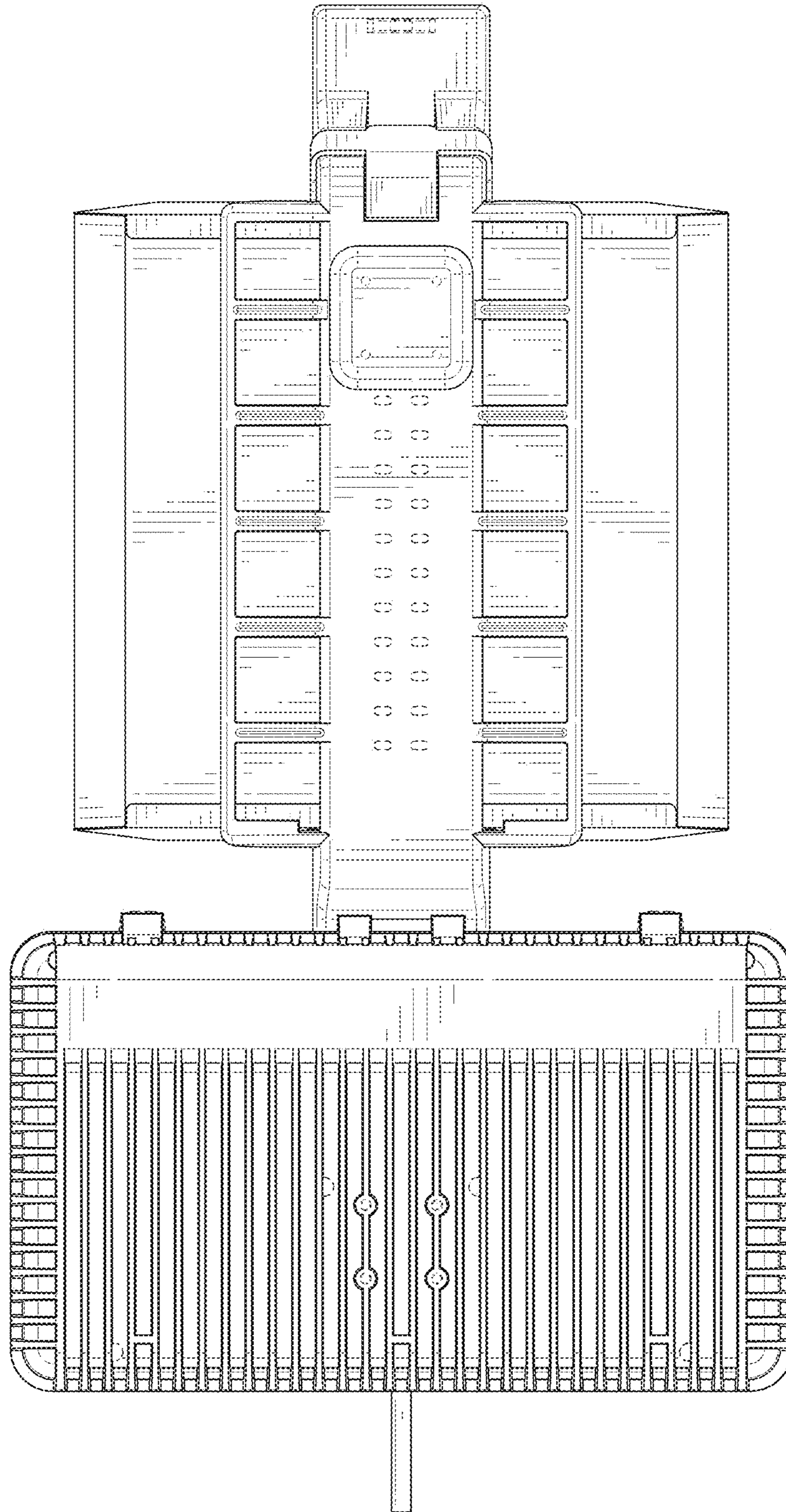


FIG. 4

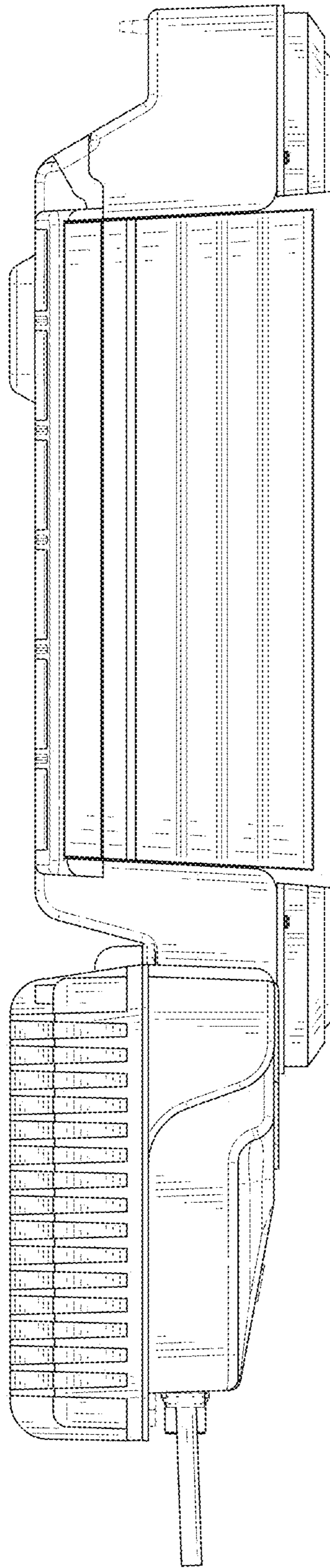


FIG. 5

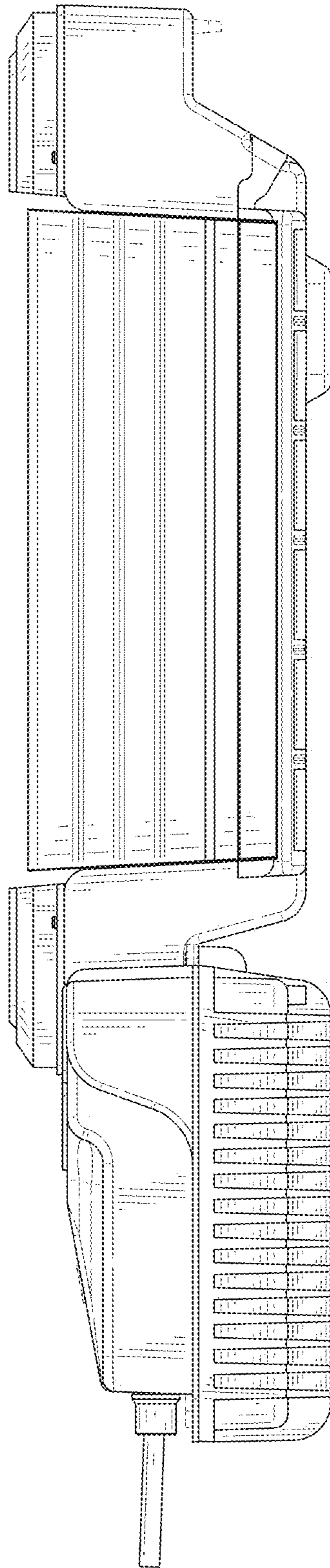


FIG. 6



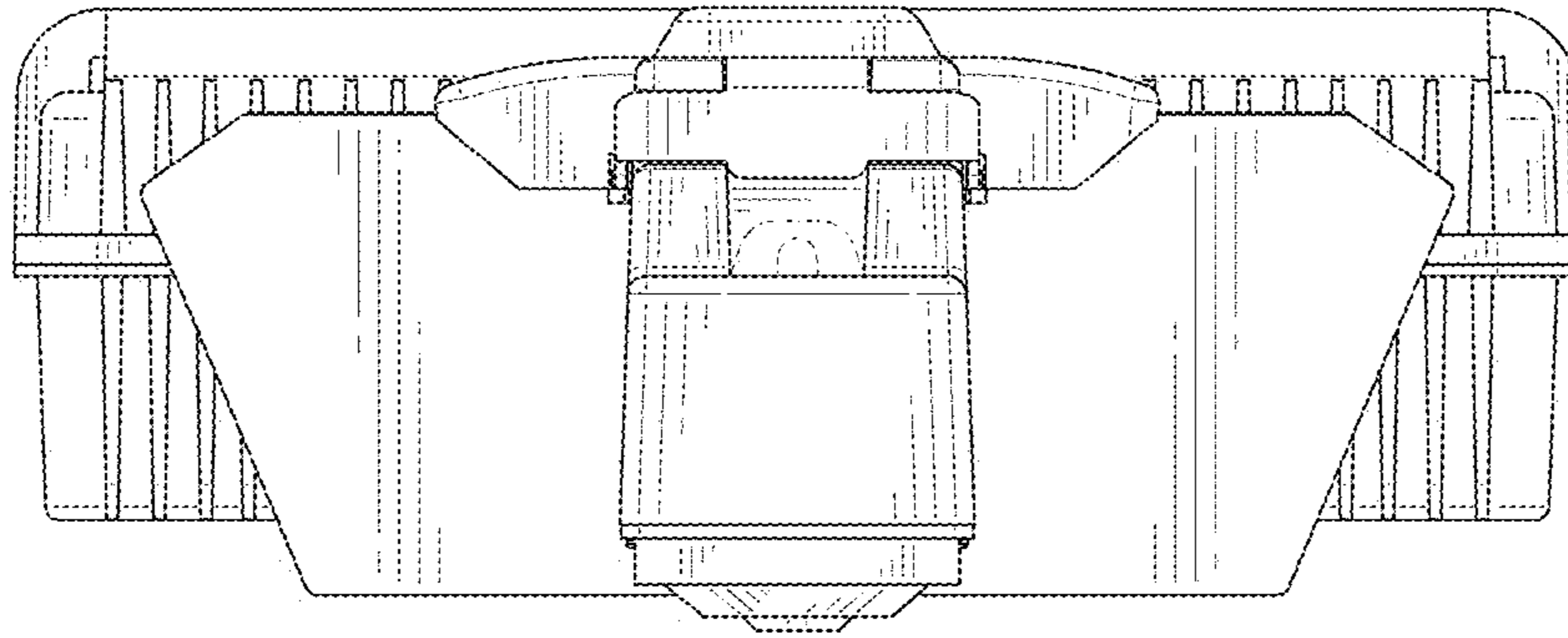


FIG. 7

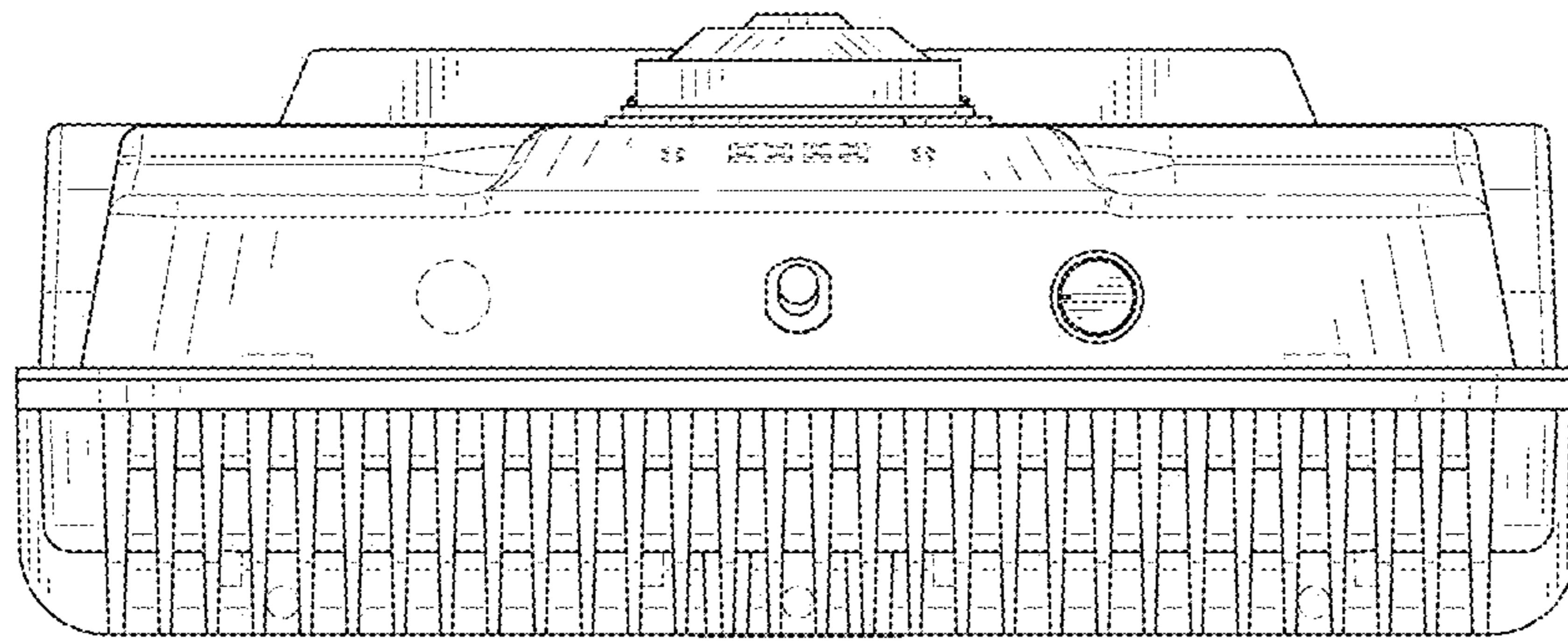


FIG. 8