

US00D975332S

(12) **United States Design Patent**
Wu

(10) **Patent No.:** **US D975,332 S**
(45) **Date of Patent:** **** Jan. 10, 2023**

(54) **DOWNLIGHT**

(71) Applicant: **Shenzhen Lingke Technology Co., Ltd.**, Guangdong (CN)

(72) Inventor: **Zhiqiang Wu**, Guangdong (CN)

(73) Assignee: **Shenzhen Lingke Technology Co., Ltd.**, Guangdong (CN)

(**) Term: **15 Years**

(21) Appl. No.: **29/803,943**

(22) Filed: **Aug. 17, 2021**

(51) **LOC (14) Cl.** **26-05**

(52) **U.S. Cl.**
USPC **D26/74**

(58) **Field of Classification Search**
USPC D26/74, 72, 75, 76, 77, 78, 85, 88, 89, D26/118, 138, 141
CPC F21V 7/06; F21V 21/044; F21V 21/047; F21S 8/02; F21S 8/026
See application file for complete search history.

(56) **References Cited**

U.S. PATENT DOCUMENTS

D397,490 S *	8/1998	Lecluze	D26/118
D473,966 S *	4/2003	Lecluze	D26/74
D665,117 S *	8/2012	Yoshida	D26/74
D767,809 S	9/2016	Gotz-Schafer		
D777,966 S	1/2017	Jeswani		
D942,666 S *	2/2022	Ou Yang	D26/74
D942,668 S *	2/2022	Ou Yang	D26/74
2017/0045188 A1 *	2/2017	Im	F21V 15/015

2019/0226671 A1 *	7/2019	Huang	F21V 7/04
2019/0318697 A1 *	10/2019	Kumar	H05B 47/11
2020/0386376 A1 *	12/2020	Zeng	F21V 21/30
2022/0074583 A1 *	3/2022	Huang	G02B 6/0085
2022/0082235 A1 *	3/2022	Chen	F21V 23/003

* cited by examiner

Primary Examiner — Angela J Lee

(74) *Attorney, Agent, or Firm* — ScienBiziP, P.C.

(57) **CLAIM**

The ornamental design for a downlight, as shown and described.

DESCRIPTION

FIG. 1 is a front, left, and top perspective view of a downlight, showing my design.

FIG. 2 is a rear, right, and bottom perspective view thereof.

FIG. 3 is a front elevation view thereof.

FIG. 4 is a rear elevation view thereof.

FIG. 5 is a left side elevation view thereof.

FIG. 6 is a right side elevation view thereof.

FIG. 7 is a top plan view thereof.

FIG. 8 is a bottom plan view thereof.

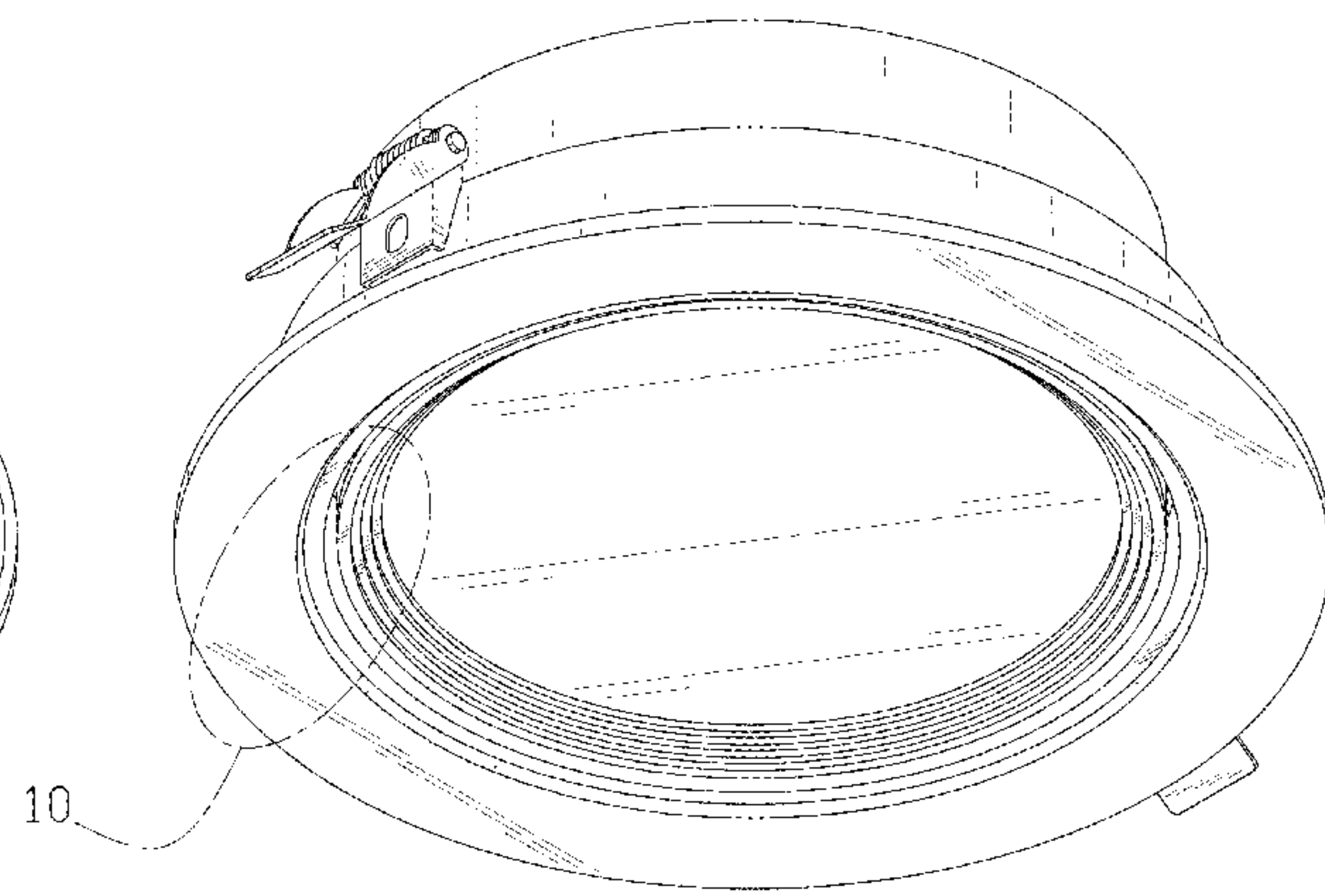
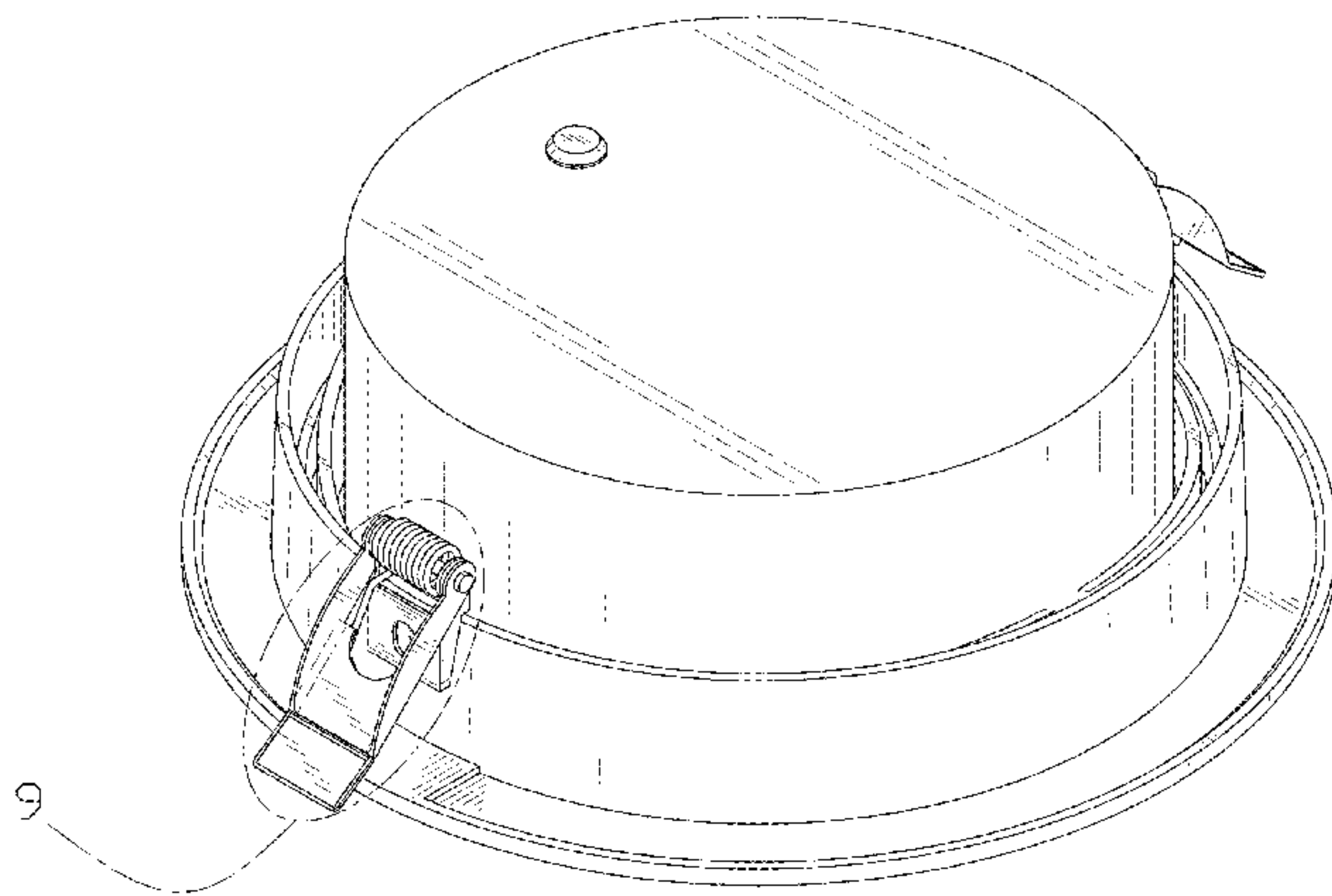
FIG. 9 is a partial enlarged view of an area labeled 9 in FIG. 1 comprising a buckle.

FIG. 10 is a partial enlarged view of an area labeled 10 in FIG. 2 comprising a part of an inner side; and,

FIG. 11 is another front, left, and top perspective view of the downlight, wherein a bulb is in a tilted state.

The broken lines shown in the drawings are included for the purpose of illustrating portions of the downlight that form no part of the claimed design.

1 Claim, 11 Drawing Sheets



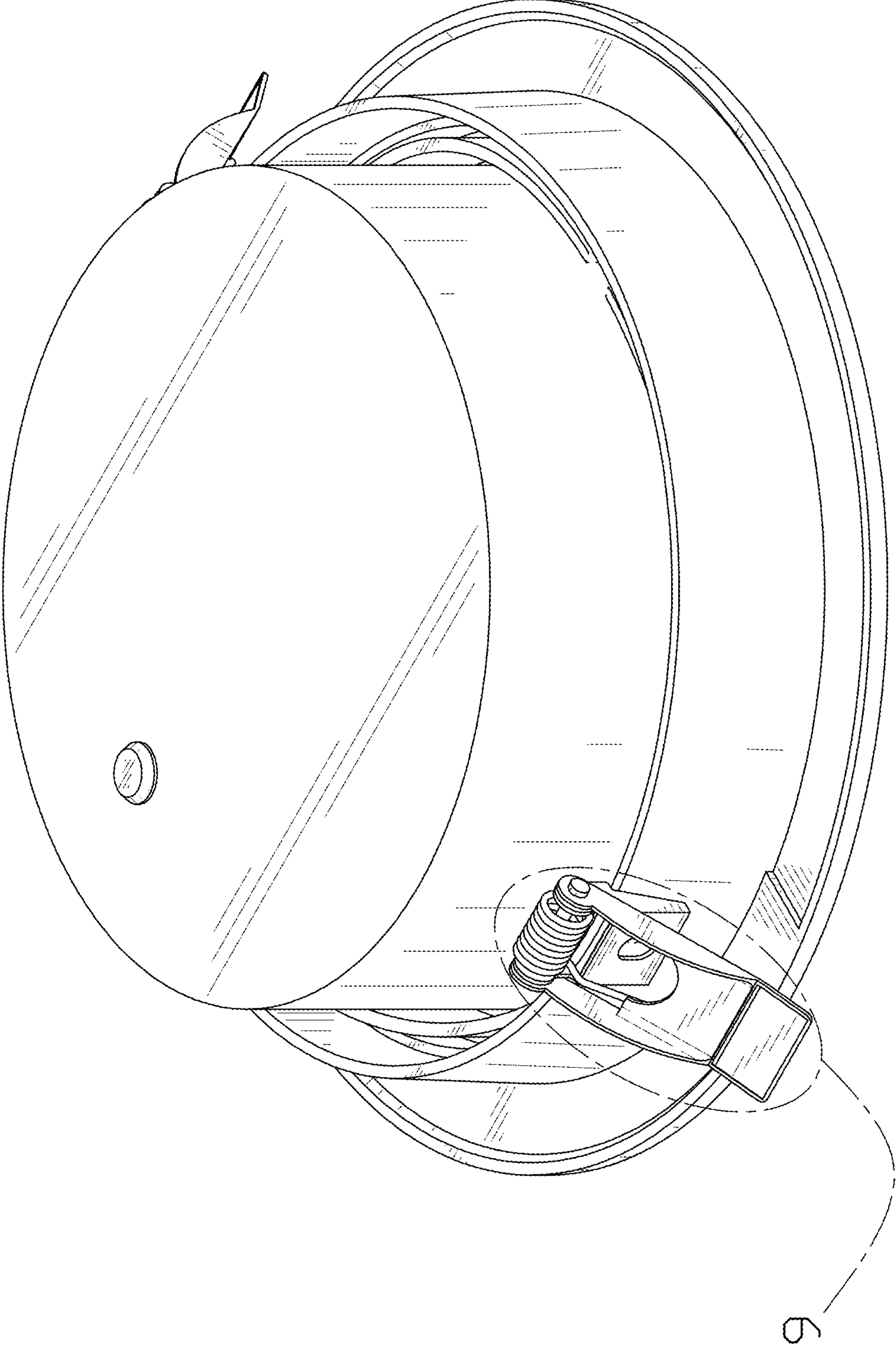


FIG. 1

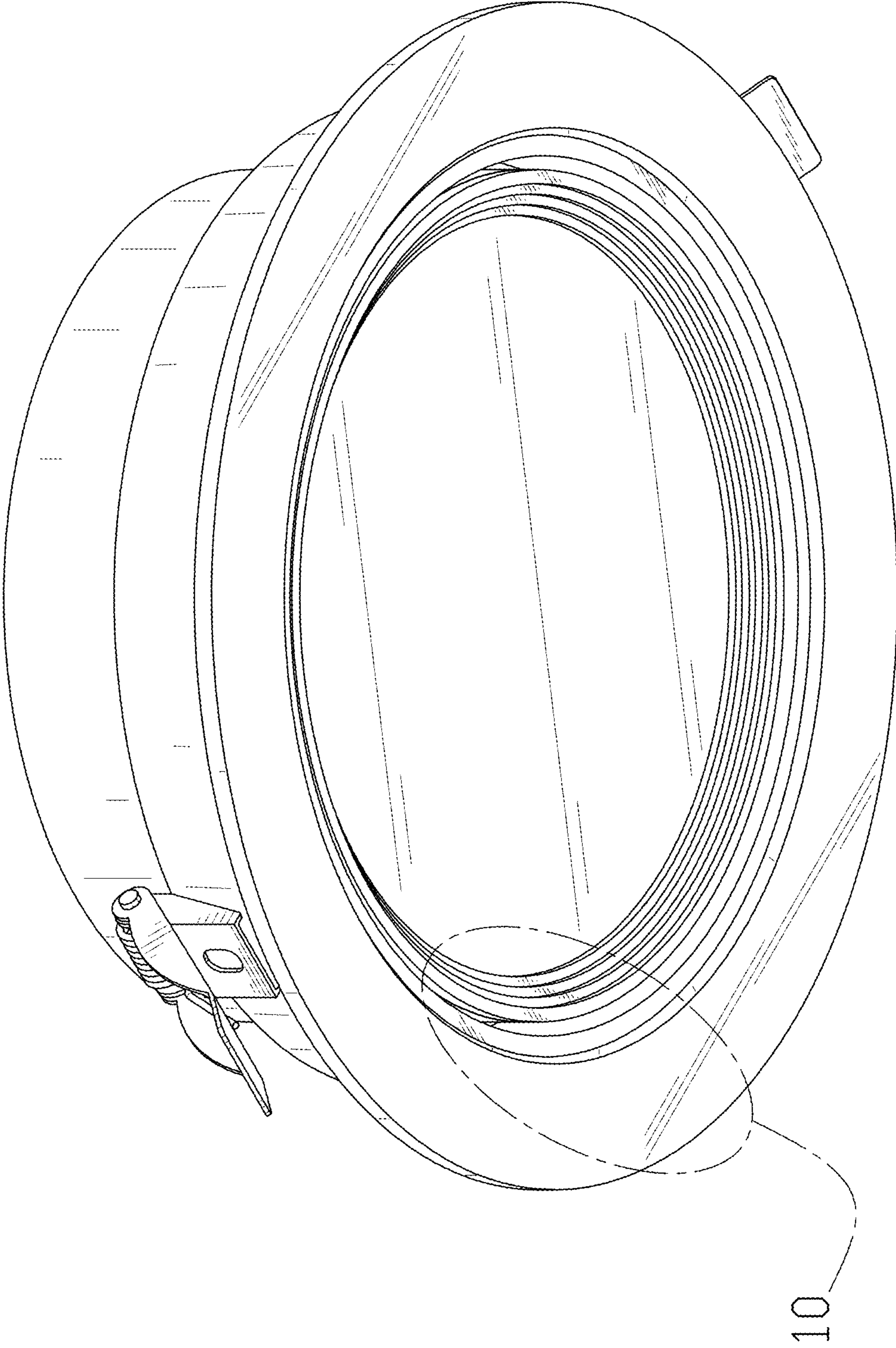


FIG. 2

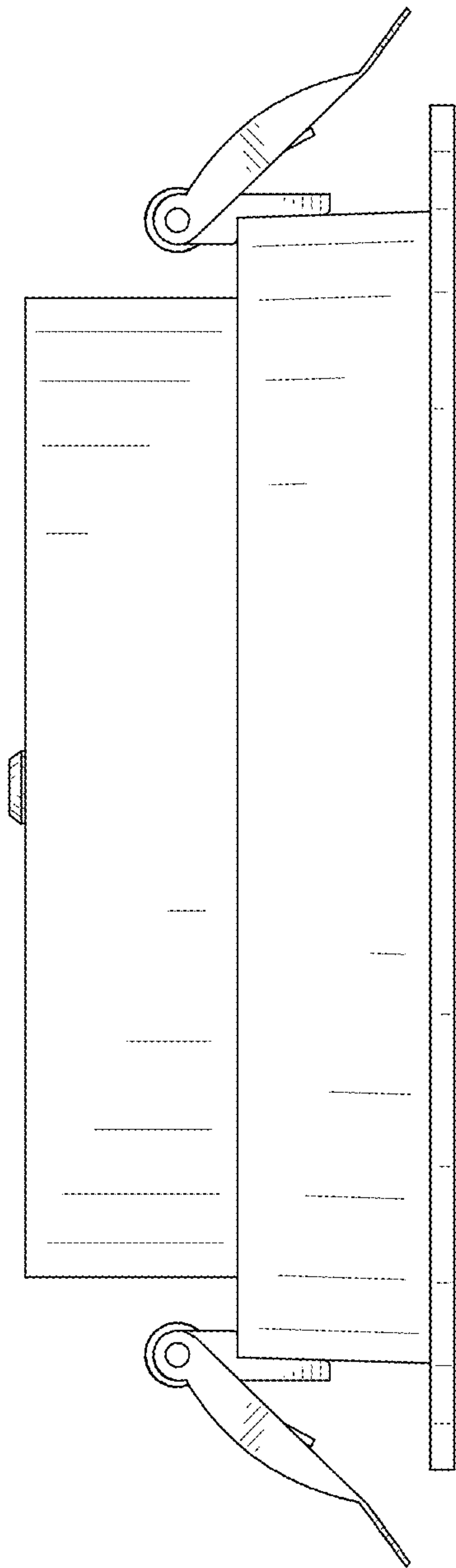


FIG. 3

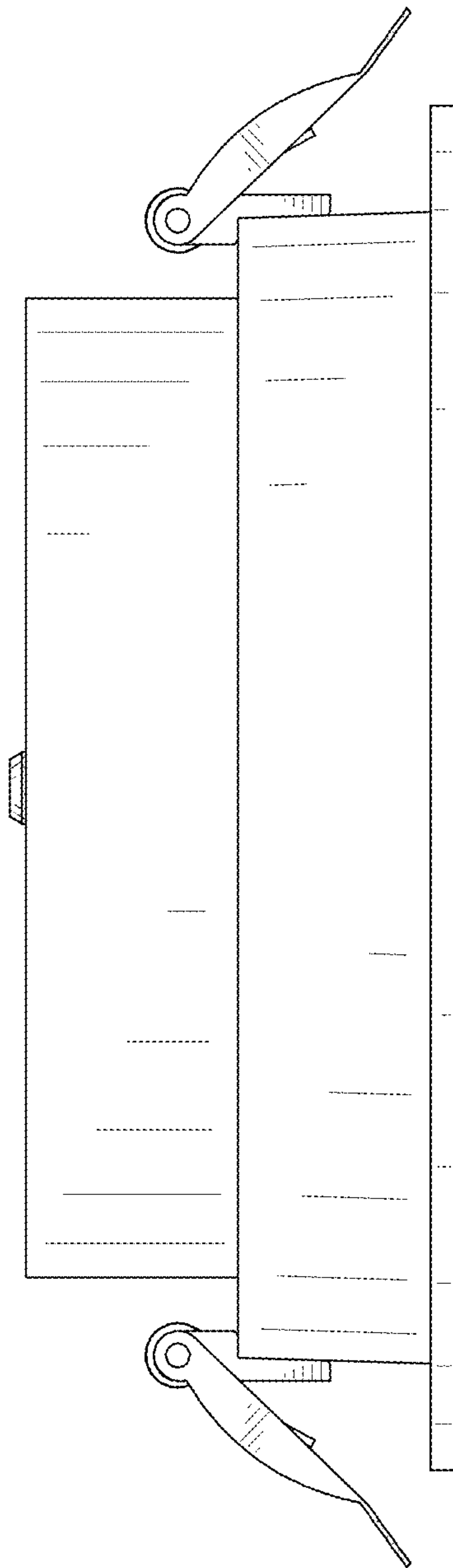


FIG. 4

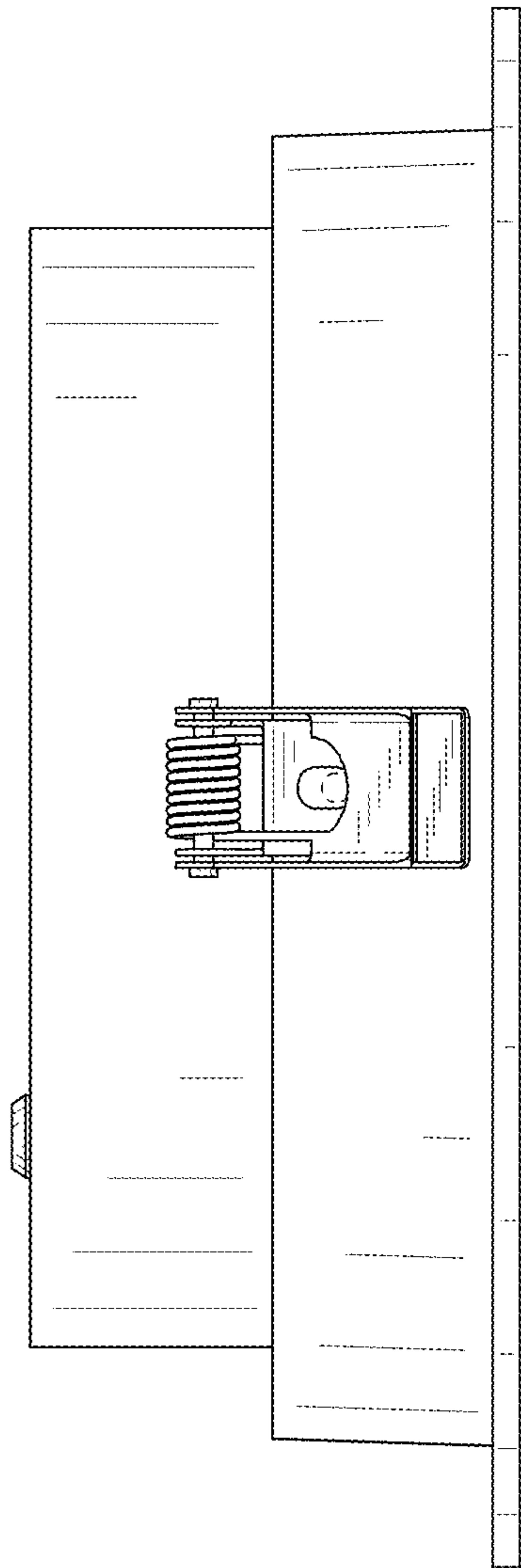


FIG. 5

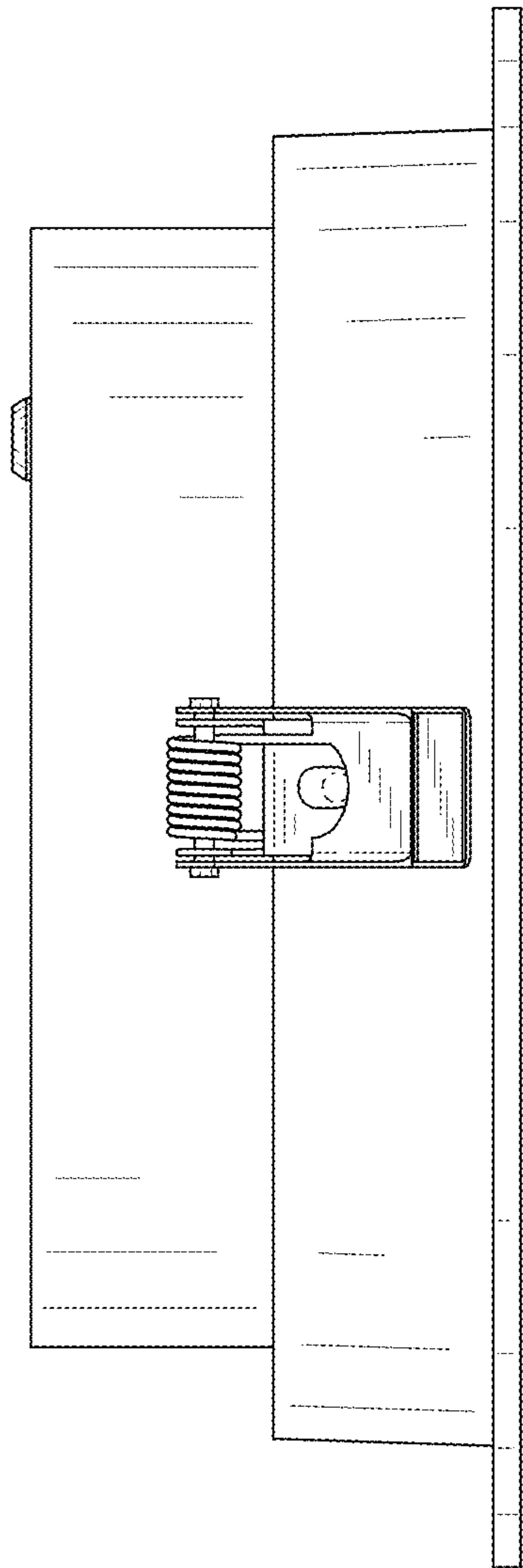


FIG. 6

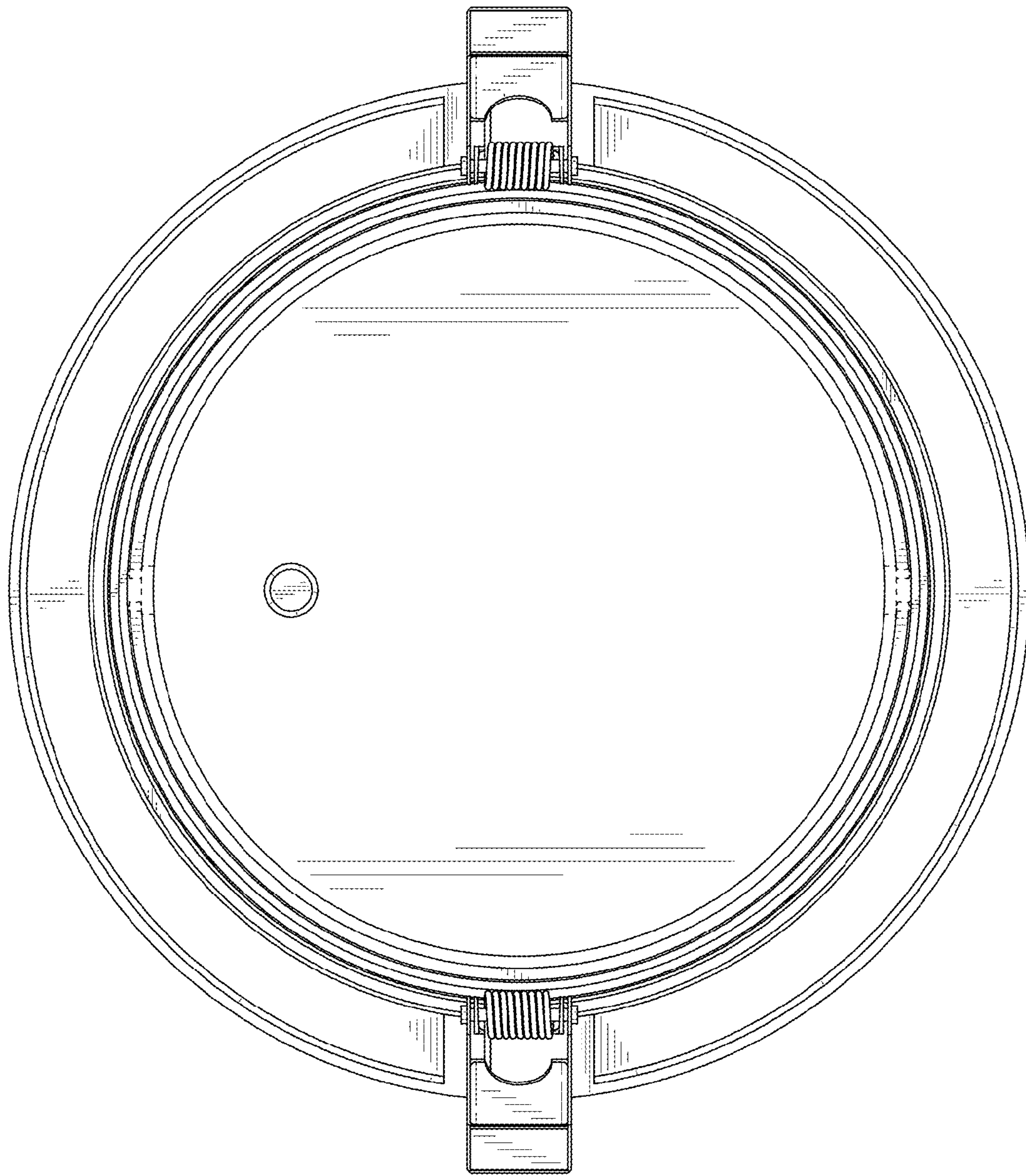


FIG. 7

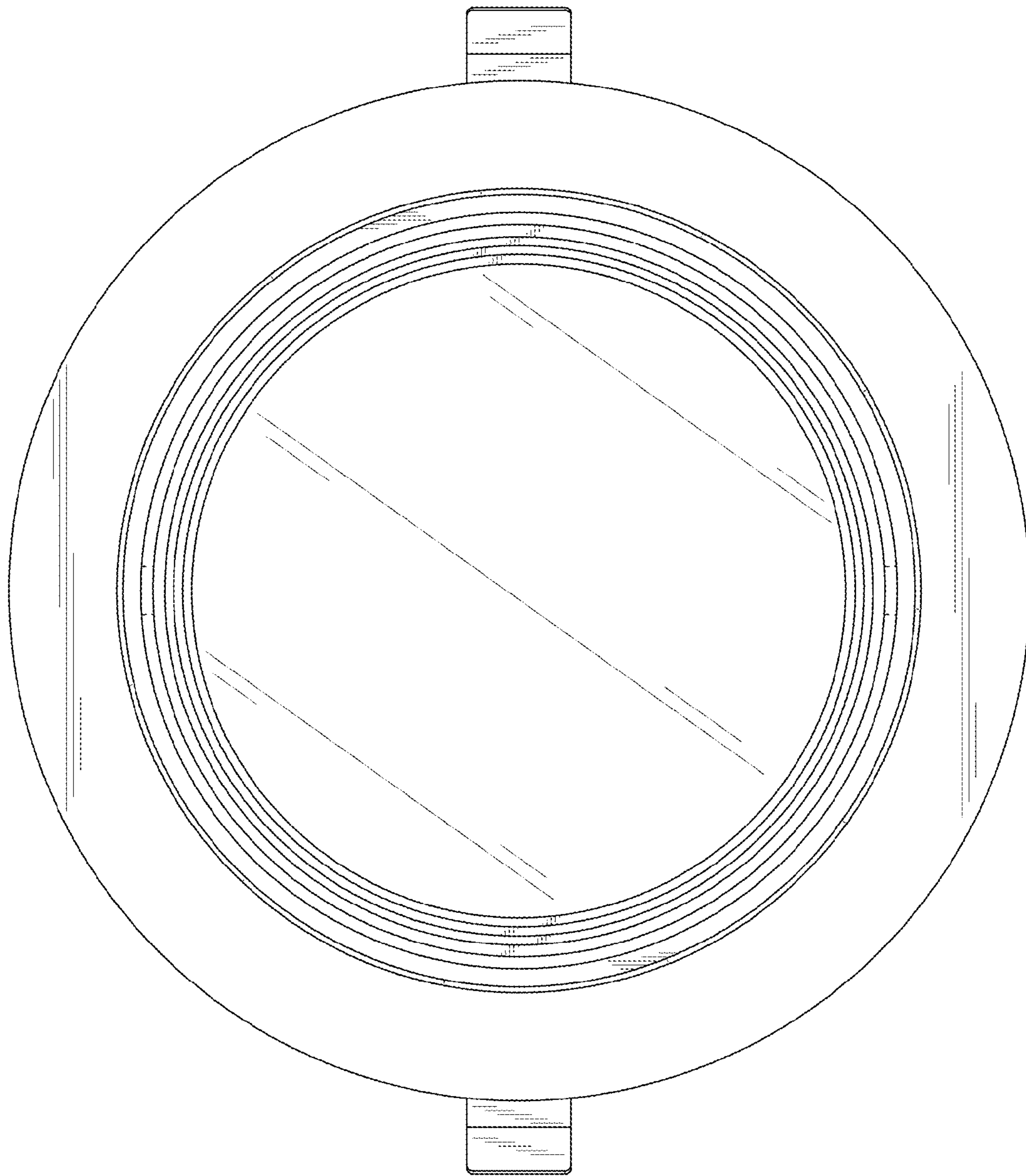


FIG. 8

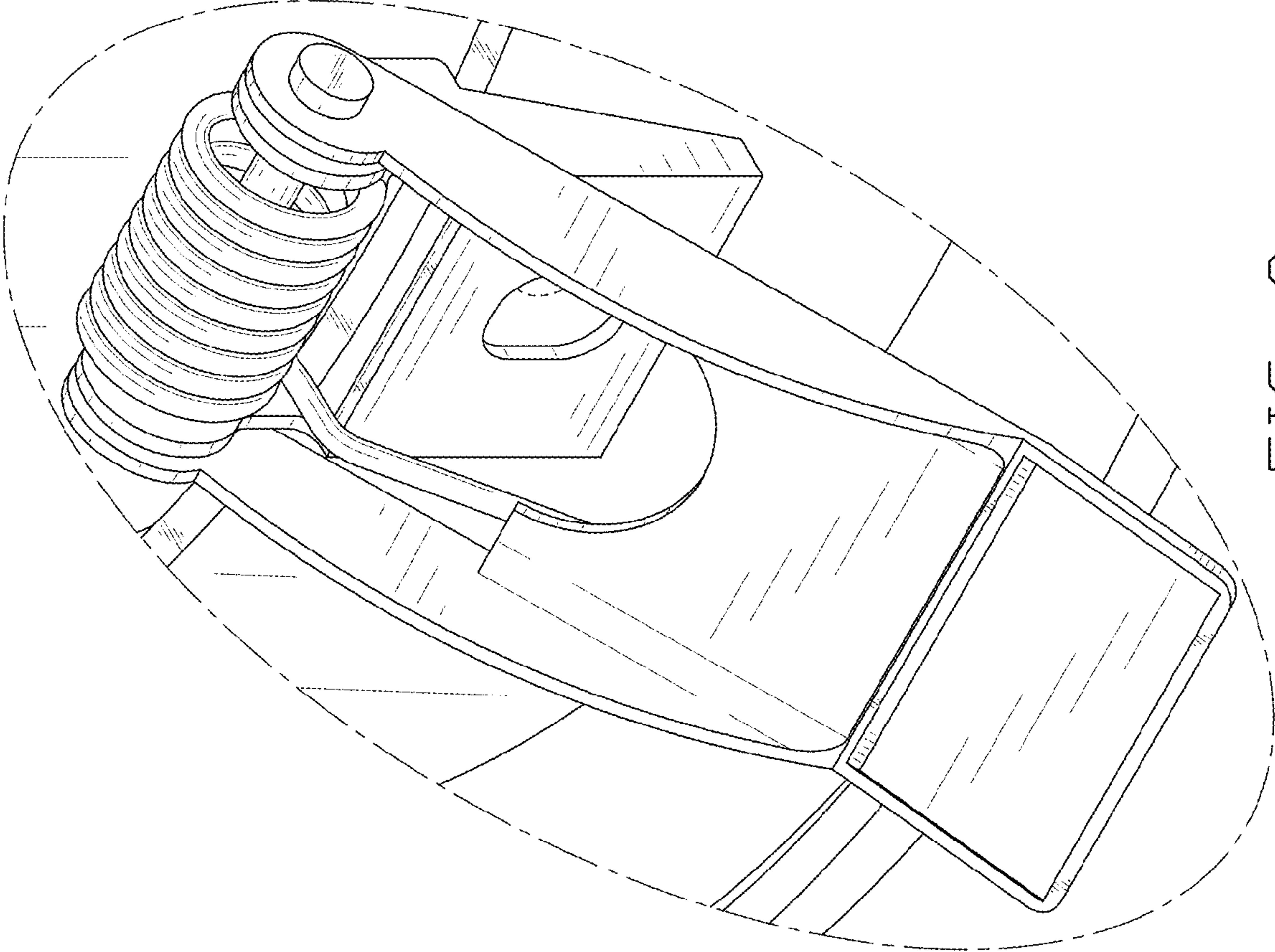


FIG. 9

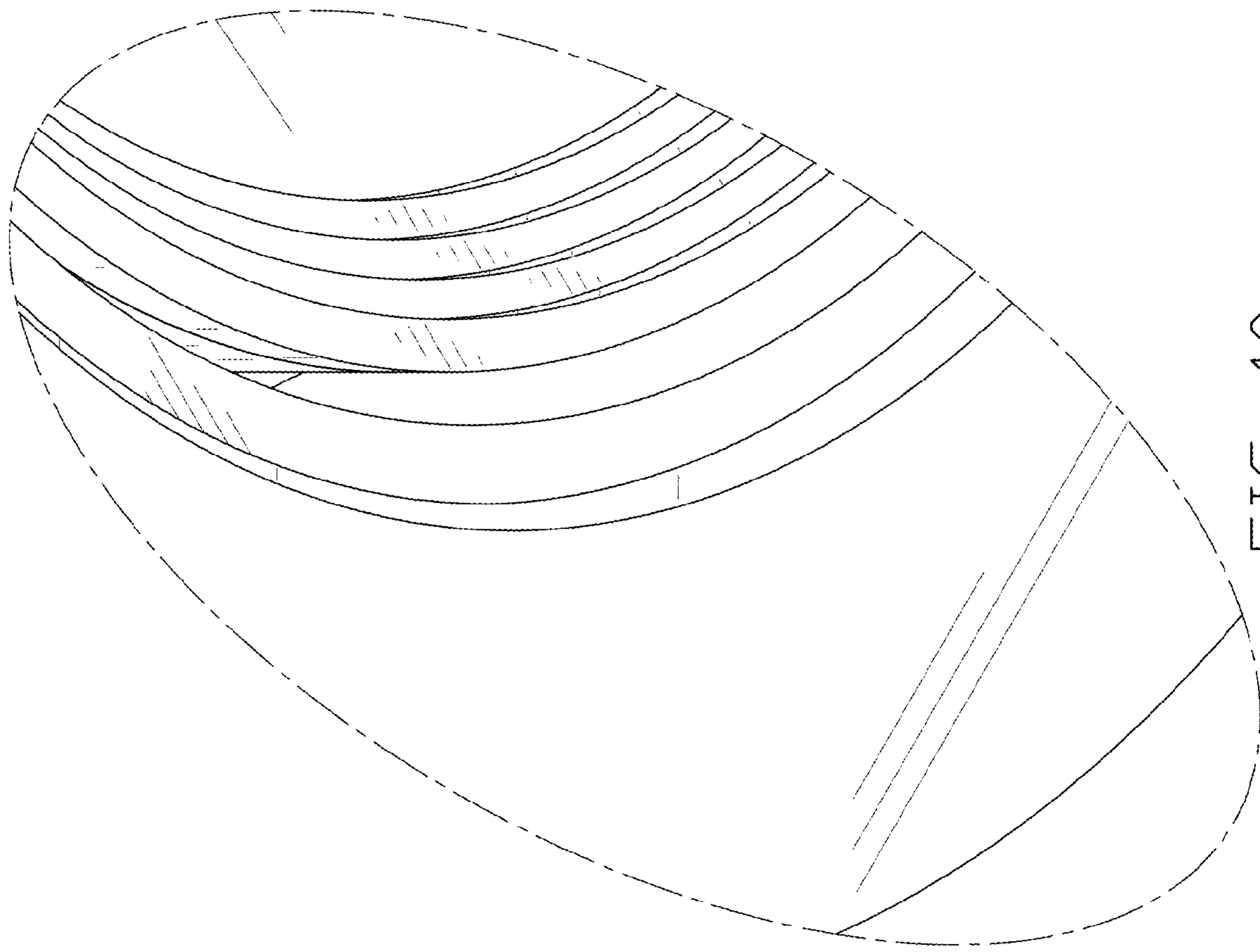


FIG. 10

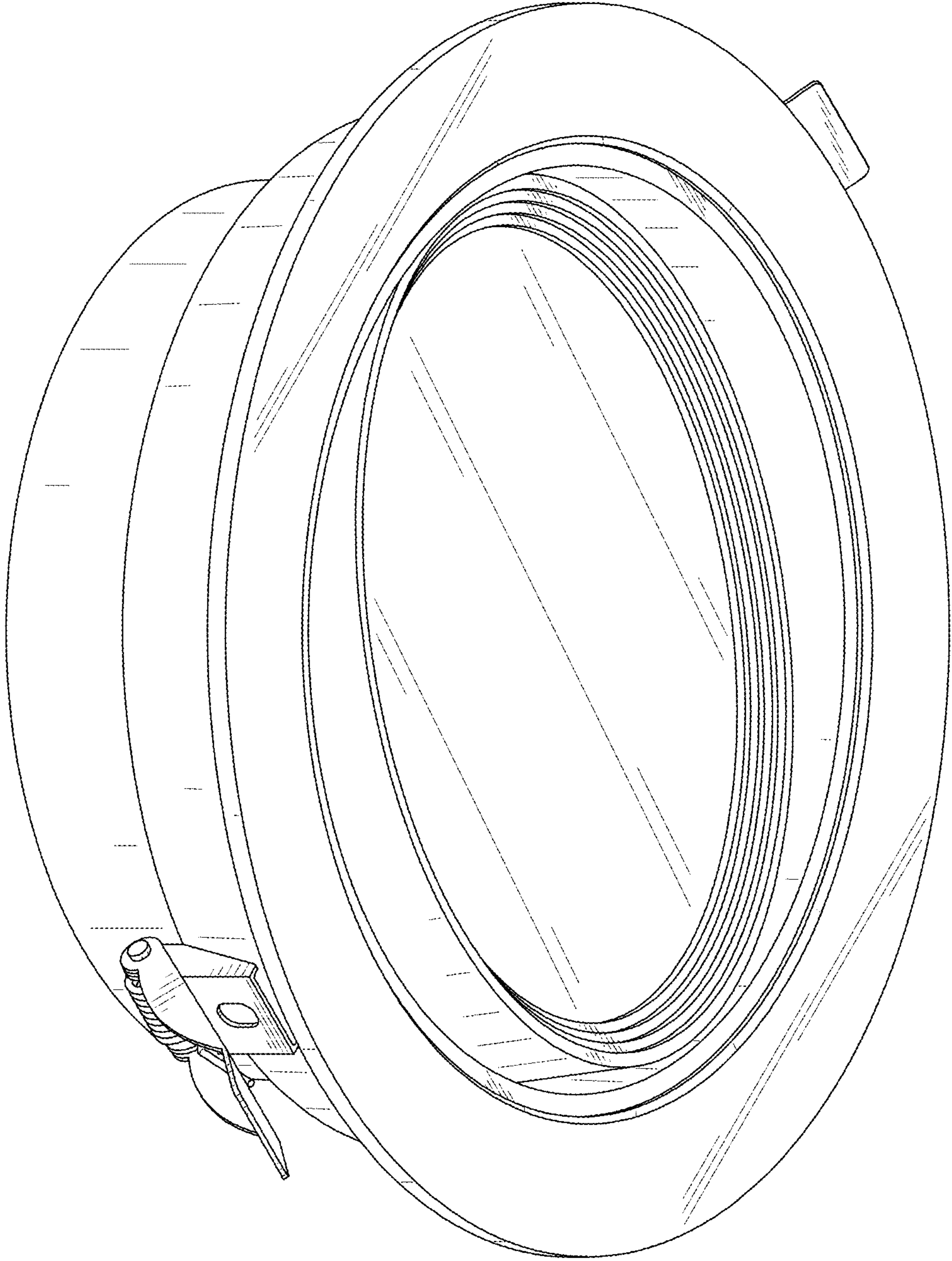


FIG. 11