



US00D975330S

(12) **United States Design Patent**  
**Kong**

(10) **Patent No.:** **US D975,330 S**

(45) **Date of Patent:** **\*\* Jan. 10, 2023**

(54) **SOLAR LAMP**

D950,820 S \* 5/2022 Zheng ..... F21V 21/29  
D26/63

(71) Applicant: **ZHONGSHAN XIAOLAN TOWN  
YAOSHUOLI LIGHTING  
FACTORY**, Zhongshan (CN)

D956,304 S \* 6/2022 Liu ..... H05B 47/13  
D26/65

D957,024 S \* 7/2022 Chen ..... D26/63

(72) Inventor: **Lingguo Kong**, Zhongshan (CN)

**FOREIGN PATENT DOCUMENTS**

(73) Assignee: **ZHONGSHAN XIAOLAN TOWN  
YAOSHUOLI LIGHTING  
FACTORY**, Zhongshan (CN)

CN 306464174 \* 4/2021

(\*\*) Term: **15 Years**

**OTHER PUBLICATIONS**

(21) Appl. No.: **29/766,385**

Amazon | Solar Lights Outdoor, 250 LED 2500LM Security Motion Sensor Flood Lights . . . , posted on May 24, 2021, © 1996-2022, Amazon.com, Inc. [online], [site visited Sep. 13, 2022]. Available from Internet, <URL: <https://www.amazon.com/Outdoor-Security-Adjustable-Waterproof-Outside/dp/B095P5516F?th=1>> (Year: 2021).\*

(22) Filed: **Jan. 15, 2021**

\* cited by examiner

(51) **LOC (14) Cl.** ..... **26-05**

*Primary Examiner* — Cary M Robinson  
*Assistant Examiner* — Julie Marie Bailey

(52) **U.S. Cl.**

USPC ..... **D26/65**

(58) **Field of Classification Search**

USPC ..... D26/24, 51, 61, 63, 65, 72

CPC ..... F21V 23/0471; F21W 2131/10; F21W

2131/107; F21W 2131/109; F21W

2131/402

See application file for complete search history.

(57) **CLAIM**

The ornamental design for a solar lamp, as shown and described.

**DESCRIPTION**

(56) **References Cited**

**U.S. PATENT DOCUMENTS**

D708,388 S \* 7/2014 Lee ..... D26/120

9,839,088 B1 \* 12/2017 Deaton ..... H05B 47/13

RE48,386 E \* 1/2021 Paredes ..... F21V 21/29  
D26/120

D914,261 S \* 3/2021 Ouyang ..... D26/65

D934,479 S \* 10/2021 Liu ..... D26/63

D946,187 S \* 3/2022 Salihovic ..... D26/51

D949,449 S \* 4/2022 Zhang ..... D26/63

D949,450 S \* 4/2022 Zhang ..... D26/63

D949,451 S \* 4/2022 Zhang ..... D26/63

FIG. 1 is a perspective view of a solar lamp showing my new design;

FIG. 2 is another perspective view thereof;

FIG. 3 is a front elevational view thereof;

FIG. 4 is a rear elevational view thereof;

FIG. 5 is a left side elevational view thereof;

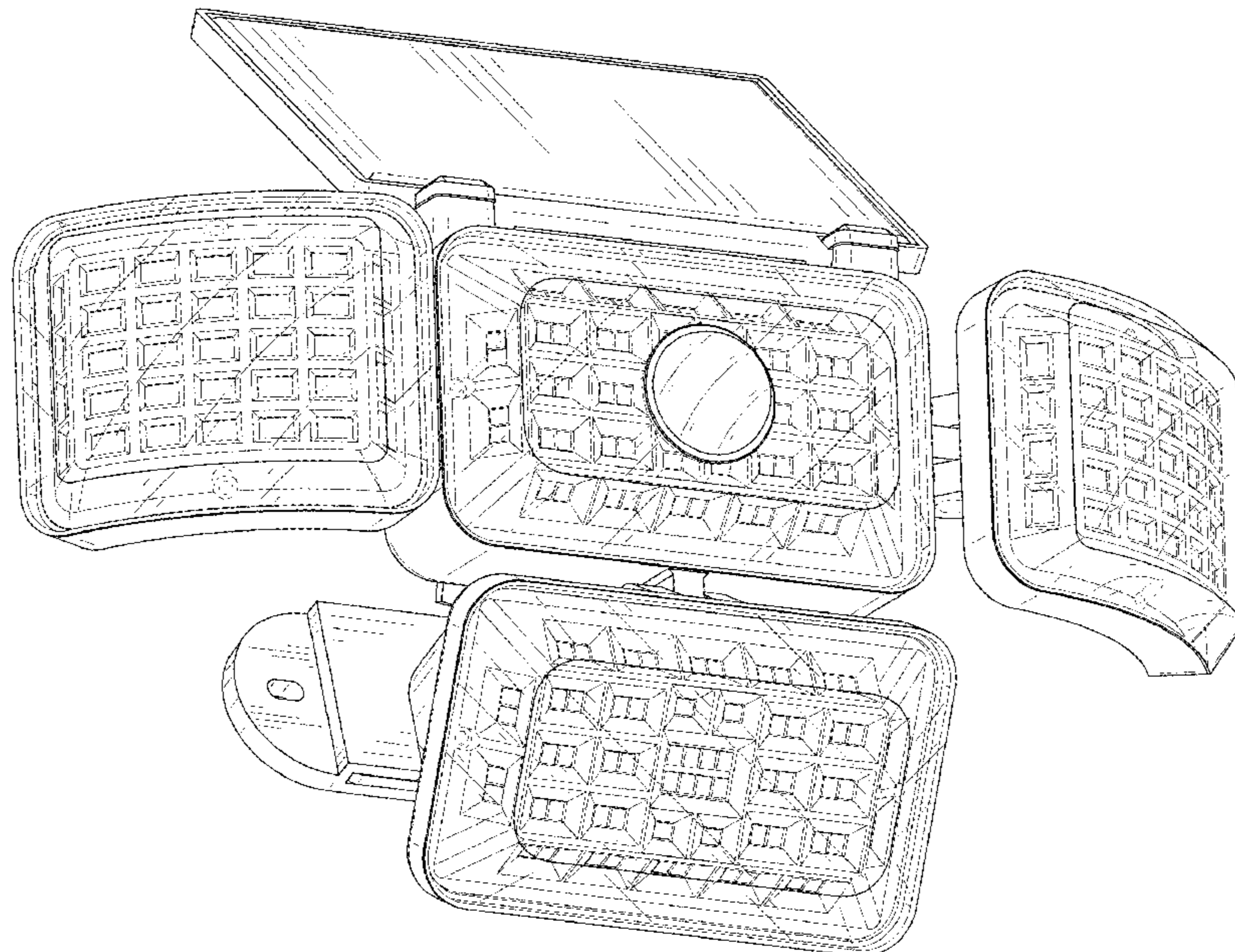
FIG. 6 is a right side elevational view thereof;

FIG. 7 is a top plan view thereof; and,

FIG. 8 is a bottom plan view thereof.

The broken lines in the drawings depict portions of the solar lamp that form no part of the claimed design.

**1 Claim, 8 Drawing Sheets**



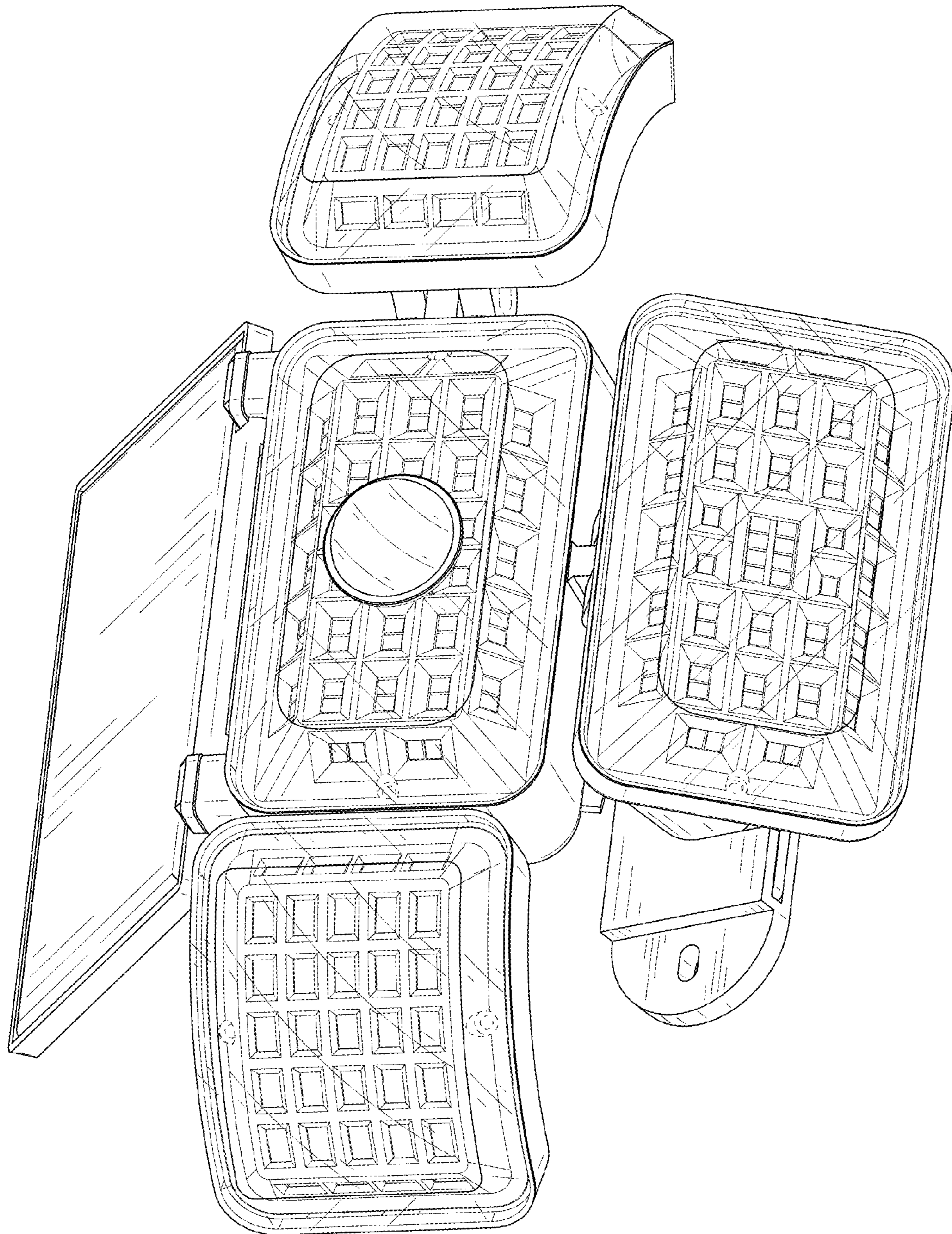


FIG. 1

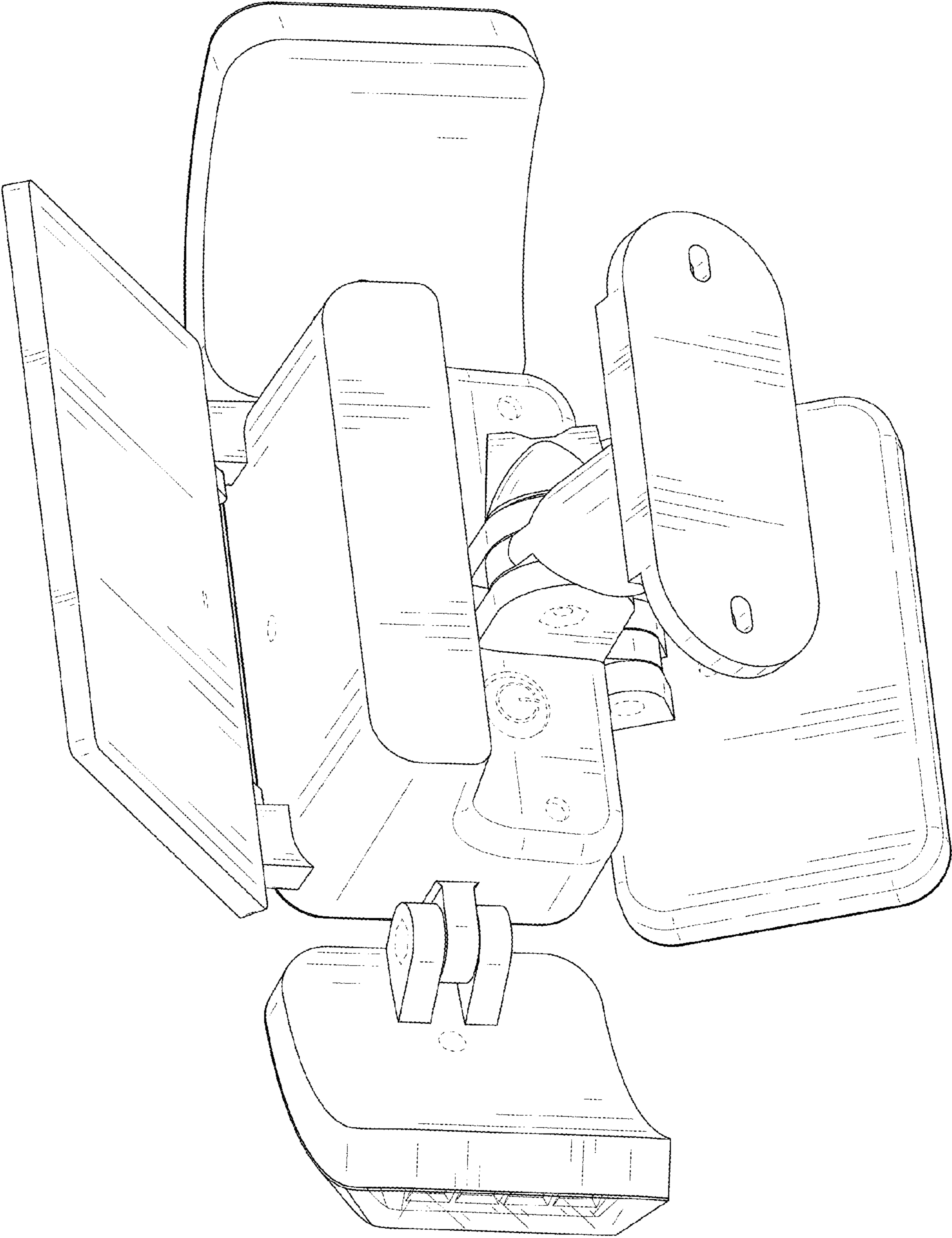


FIG. 2

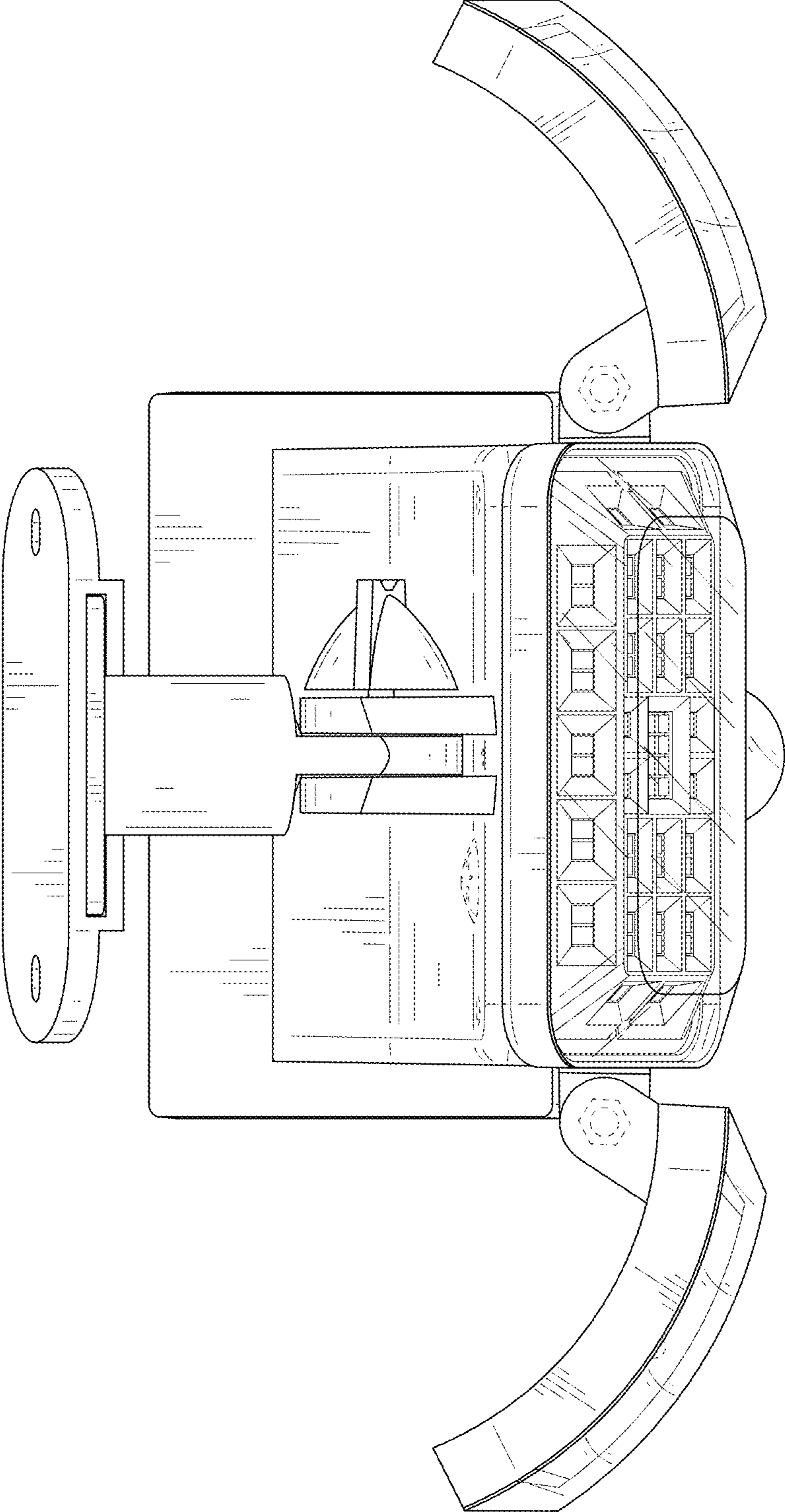


FIG. 3

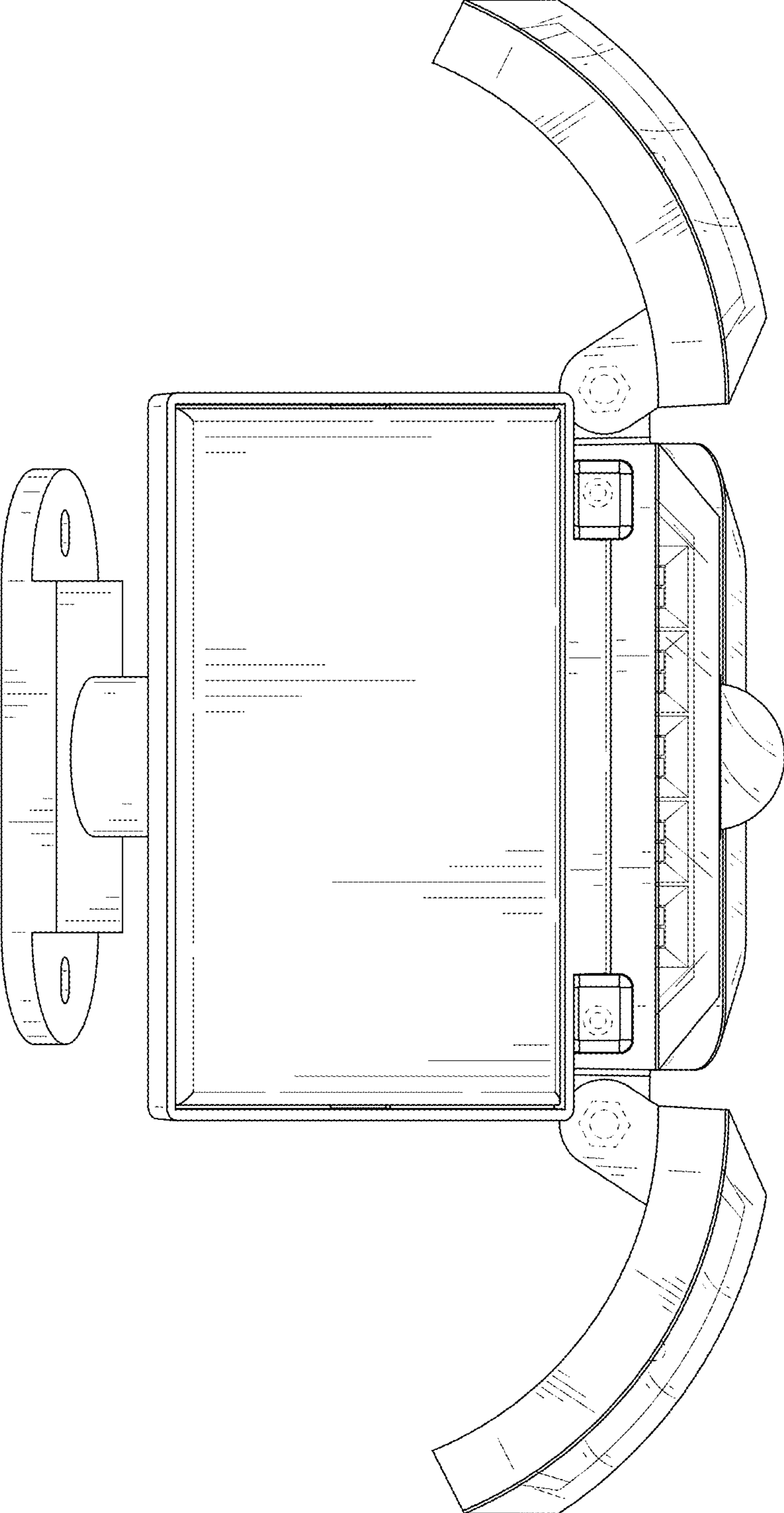


FIG. 4

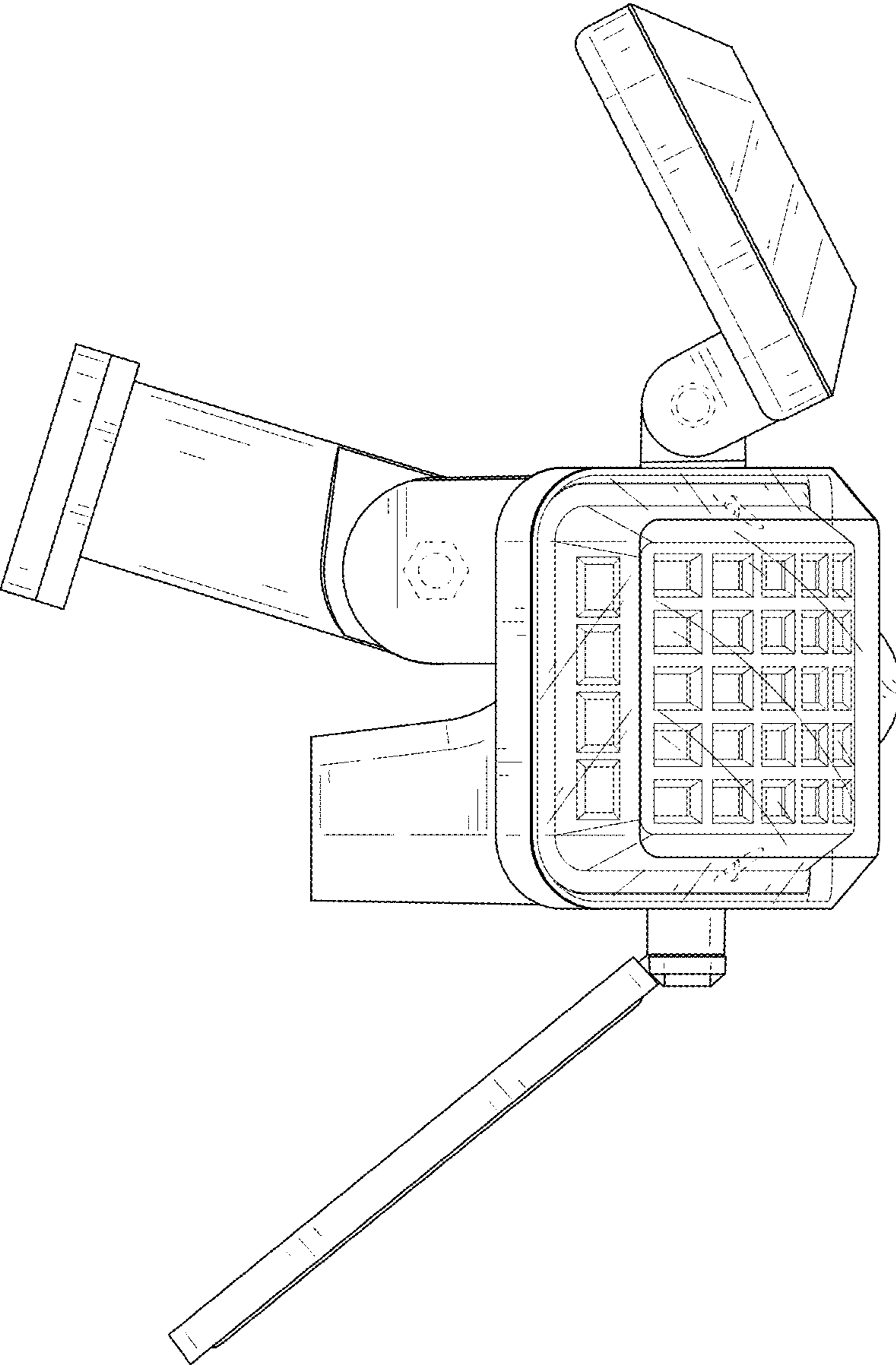


FIG. 5

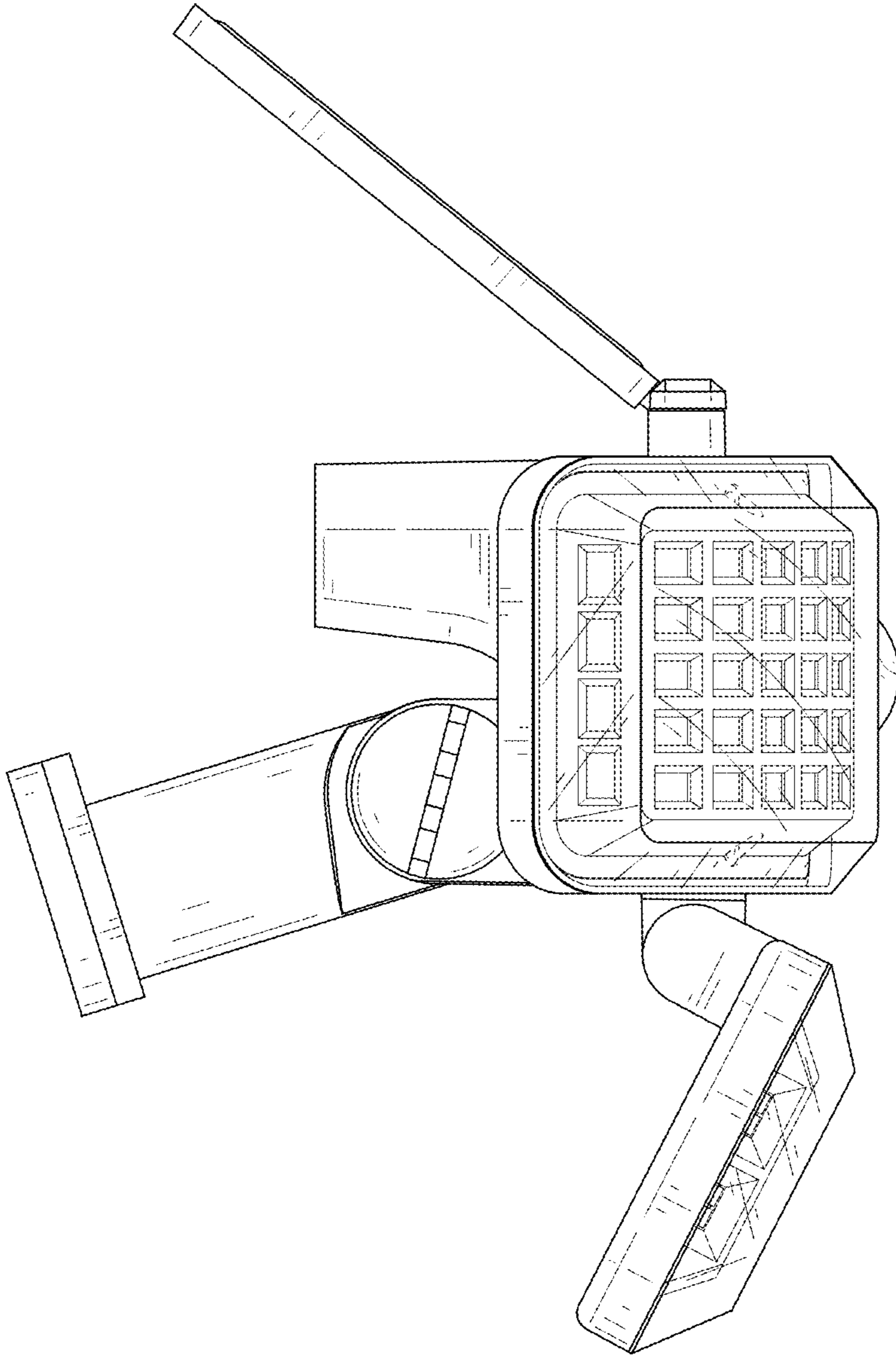


FIG. 6

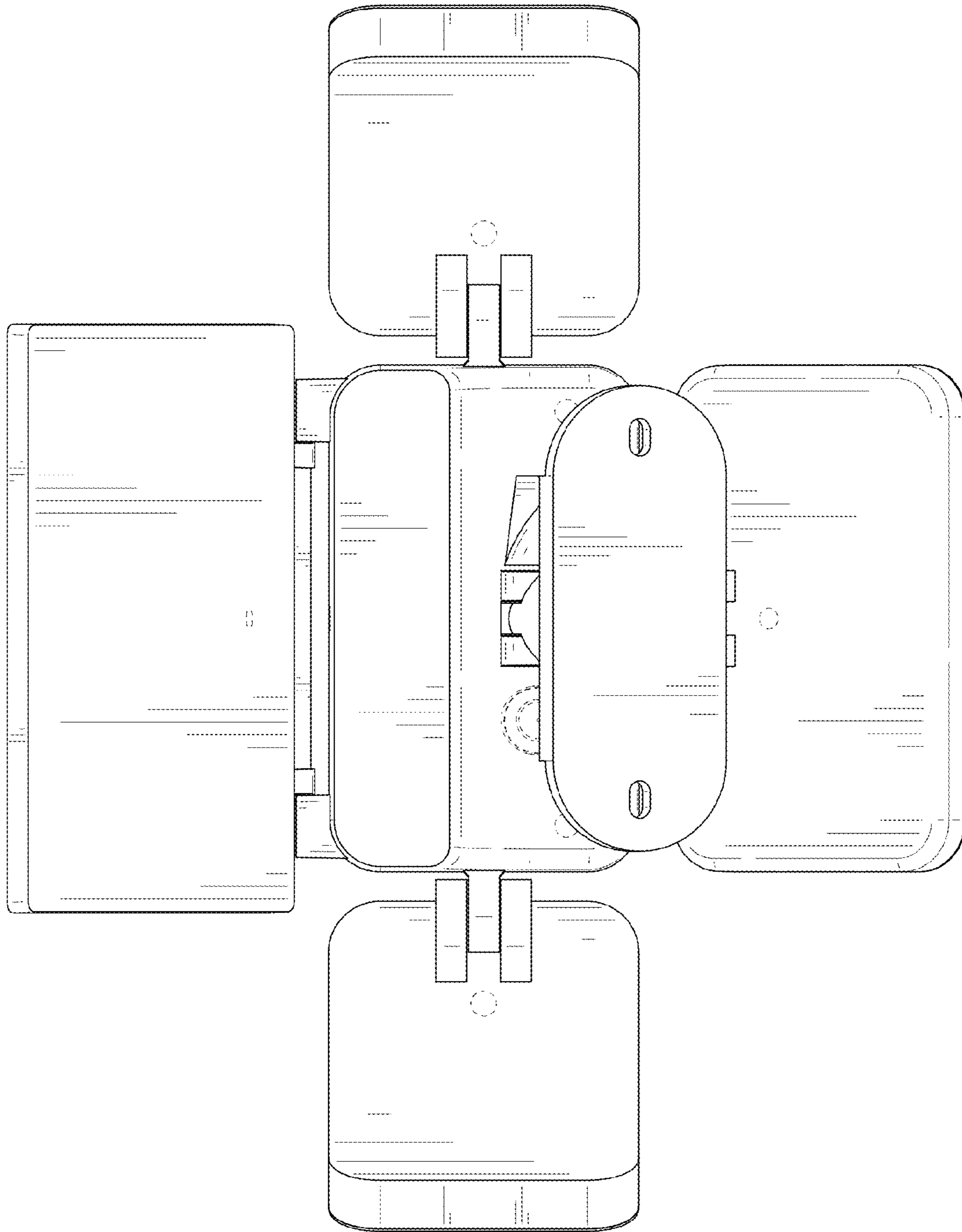


FIG. 7



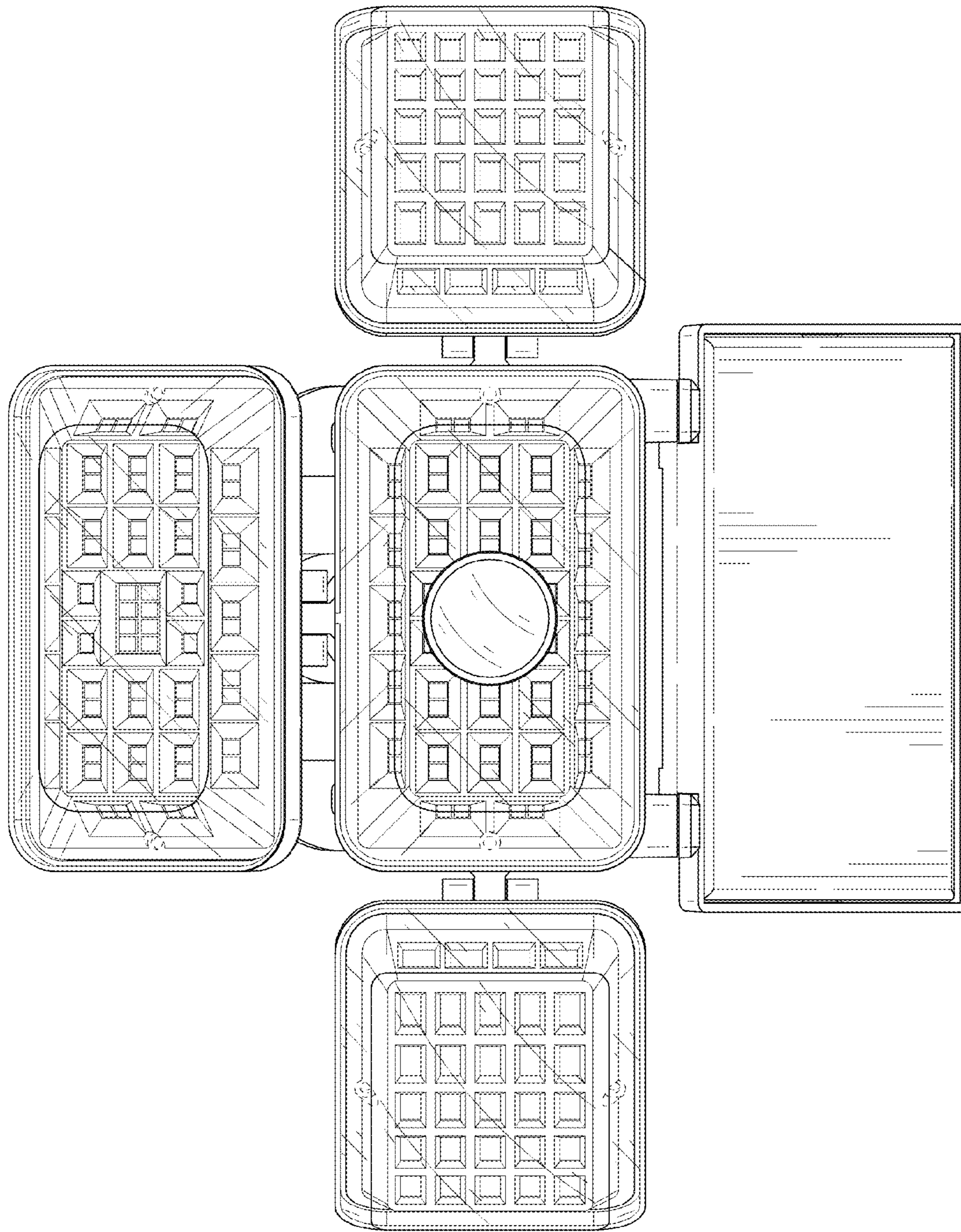


FIG. 8