



US00D975327S

(12) **United States Design Patent**
Gowing

(10) **Patent No.:** **US D975,327 S**
(45) **Date of Patent:** **** Jan. 10, 2023**

(54) **FLOOD LIGHT**

(71) Applicant: **Amazon Technologies, Inc.**, Seattle, WA (US)

(72) Inventor: **Blake W. Gowing**, Chesterland, OH (US)

(73) Assignee: **Amazon Technologies, Inc.**, Seattle, WA (US)

(**) Term: **15 Years**

(21) Appl. No.: **29/794,580**

(22) Filed: **Jun. 14, 2021**

Related U.S. Application Data

(62) Division of application No. 29/722,169, filed on Jan. 27, 2020, now Pat. No. Des. 922,645.

(51) **LOC (14) Cl.** **26-05**

(52) **U.S. Cl.**
USPC **D26/63**

(58) **Field of Classification Search**
USPC D26/51, 61, 63, 65, 72
CPC F21V 23/0471; F21W 2131/10; F21W 2131/107; F21W 2131/109; F21W 2131/402

See application file for complete search history.

(56) **References Cited**

U.S. PATENT DOCUMENTS

- D392,065 S 3/1998 Morrow et al.
- D745,201 S * 12/2015 Lee D26/63
- D765,901 S 9/2016 Chen
- D851,297 S * 6/2019 Dennis D26/63
- 10,386,058 B1 * 8/2019 Cattoni F21V 29/763
- D862,758 S * 10/2019 Zhu D26/63
- D863,613 S * 10/2019 Korpi D26/63
- D863,615 S * 10/2019 Renvall D26/63
- D863,616 S * 10/2019 Renvall D26/63
- D863,617 S * 10/2019 Lindholm D26/63

- D866,035 S 11/2019 Tan
- D866,818 S * 11/2019 Lindholm D26/63
- D867,629 S * 11/2019 Renvall D26/63
- D869,038 S 12/2019 Recker et al.
- D869,721 S 12/2019 Recker et al.
- D872,920 S * 1/2020 Korpi D26/63

(Continued)

FOREIGN PATENT DOCUMENTS

CN 304059581 * 2/2017

OTHER PUBLICATIONS

Amazon! Onforu 55W Flood Lights Outdoor . . . , posted on May 26, 2019, © 1996-2022, Amazon.com, Inc. [online], [site visited Sep. 14, 2022]. Available from Internet, <URL: https://www.amazon.com/Onforu-Security-Outdoor-Waterproof-Adjustable/dp/B07S6LGQC9/ref=sr_1_30?> (Year: 2019).*

Primary Examiner — Cary M Robinson

Assistant Examiner — Julie Marie Bailey

(74) *Attorney, Agent, or Firm* — Lee & Hayes, P.C.

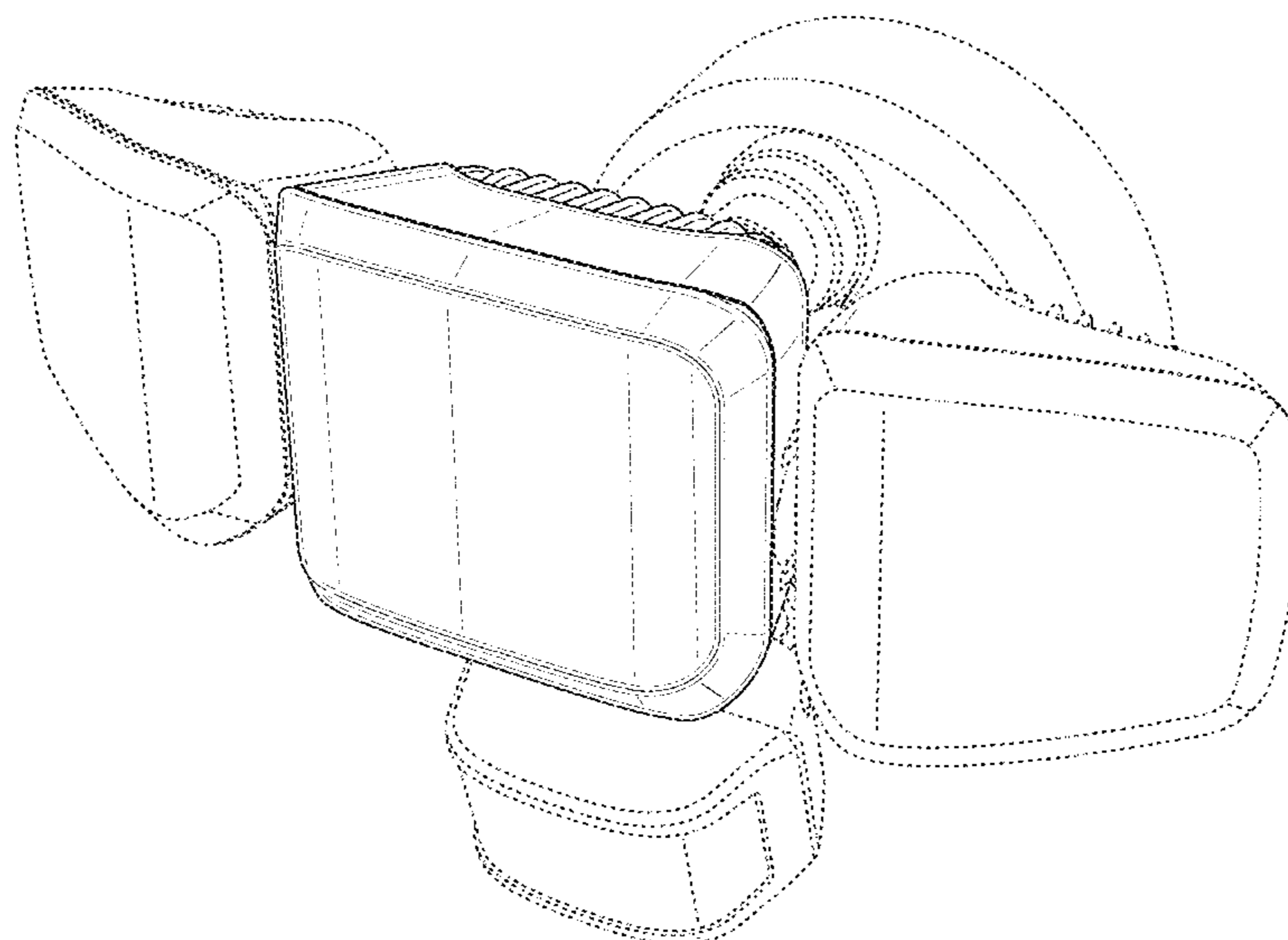
(57) **CLAIM**

The ornamental design for a flood light, as shown and described.

DESCRIPTION

FIG. 1 is a top, front, right-side perspective view of a flood light;
FIG. 2 is a bottom, back, right-side perspective view thereof;
FIG. 3 is a front view thereof;
FIG. 4 is a back view thereof;
FIG. 5 is a left-side view thereof;
FIG. 6 is a right-side view thereof;
FIG. 7 is a top view thereof; and,
FIG. 8 is a bottom view thereof.
The dashed broken lines depict portions of the flood light that form no part of the claimed design.

1 Claim, 8 Drawing Sheets



(56)

References Cited

U.S. PATENT DOCUMENTS

D878,656 S	3/2020	Recker et al.	
D884,957 S *	5/2020	Dennis	D26/118
D888,310 S	6/2020	Siminoff et al.	
D889,720 S	7/2020	Zhu	
D889,721 S	7/2020	Tan	
D892,379 S	8/2020	Recker et al.	
D894,461 S	8/2020	Recker et al.	
D894,462 S	8/2020	Recker et al.	
D896,424 S	9/2020	Wang et al.	
RE48,362 E *	12/2020	Paredes	F21S 8/036 D26/120
D929,008 S *	8/2021	Singh	D26/63
D952,620 S *	5/2022	Lee	D14/242

* cited by examiner

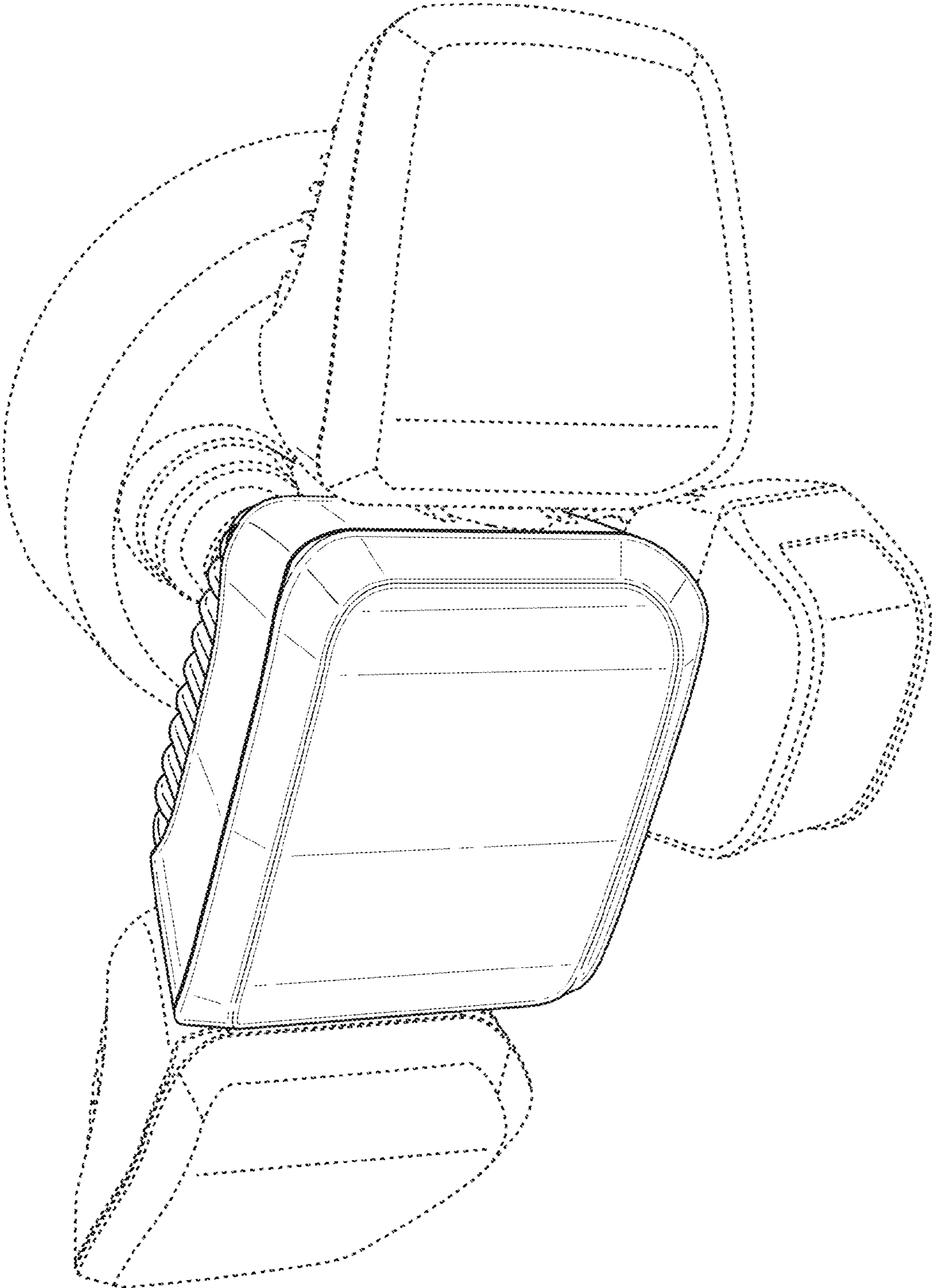


FIG. 1

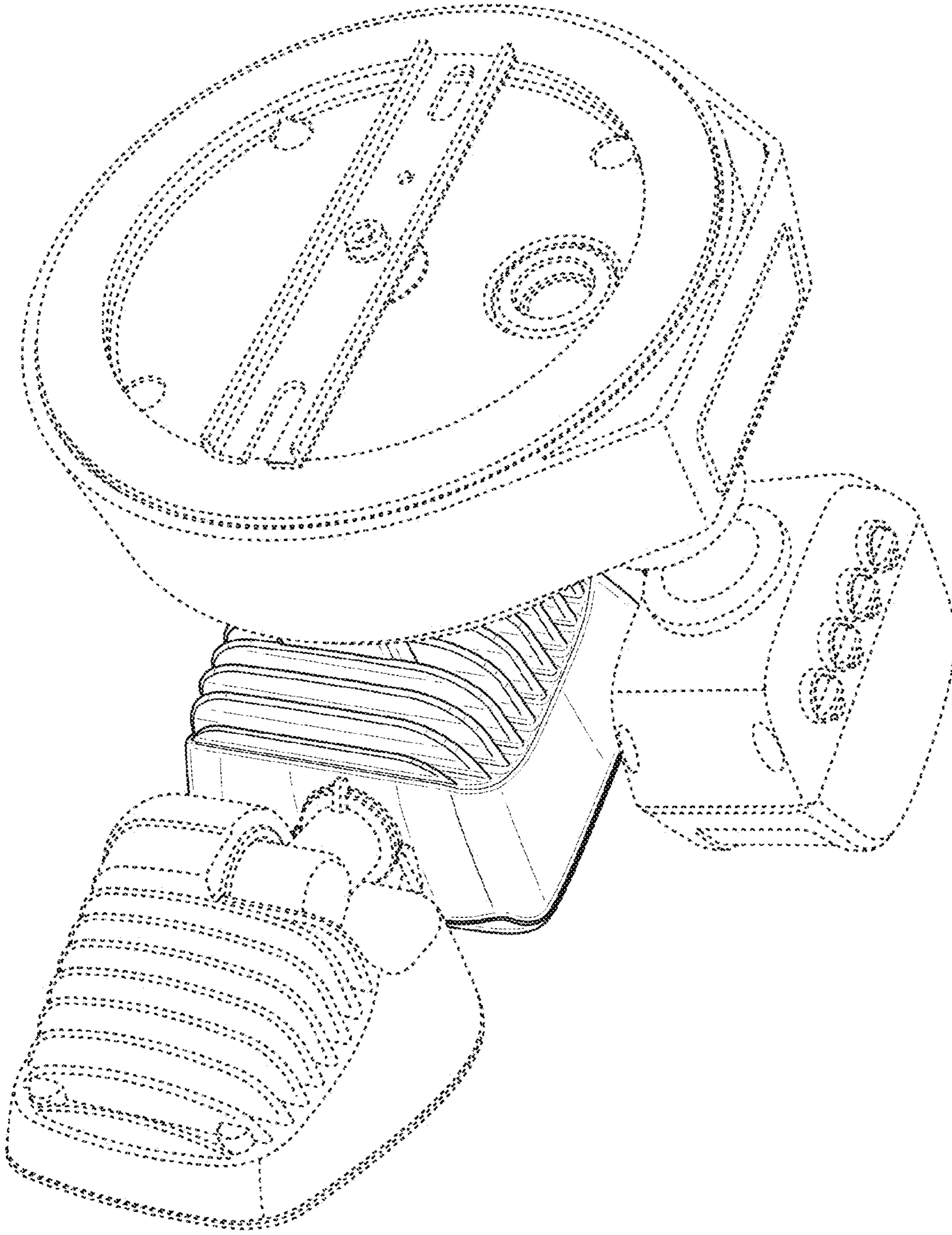


FIG. 2

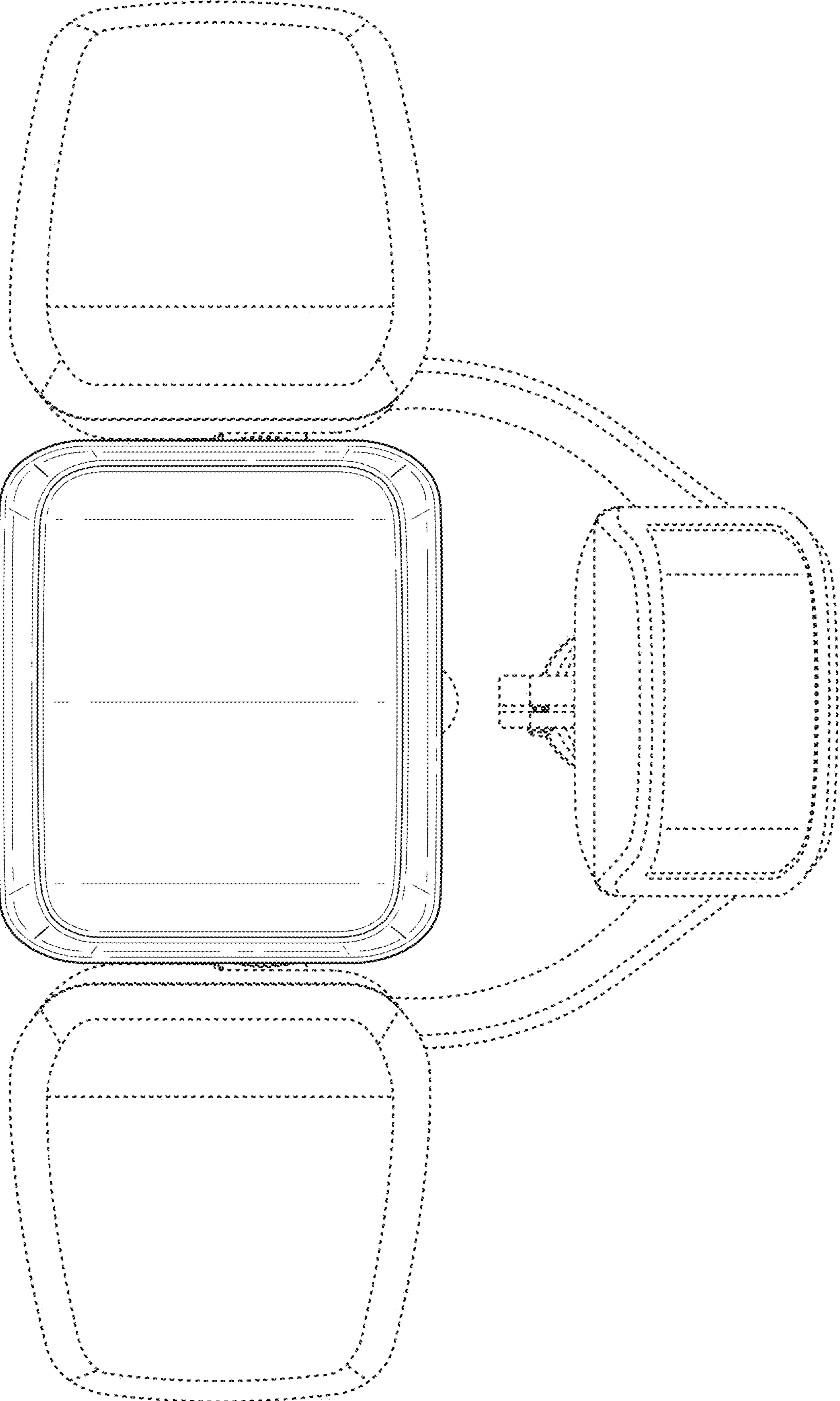


FIG. 3

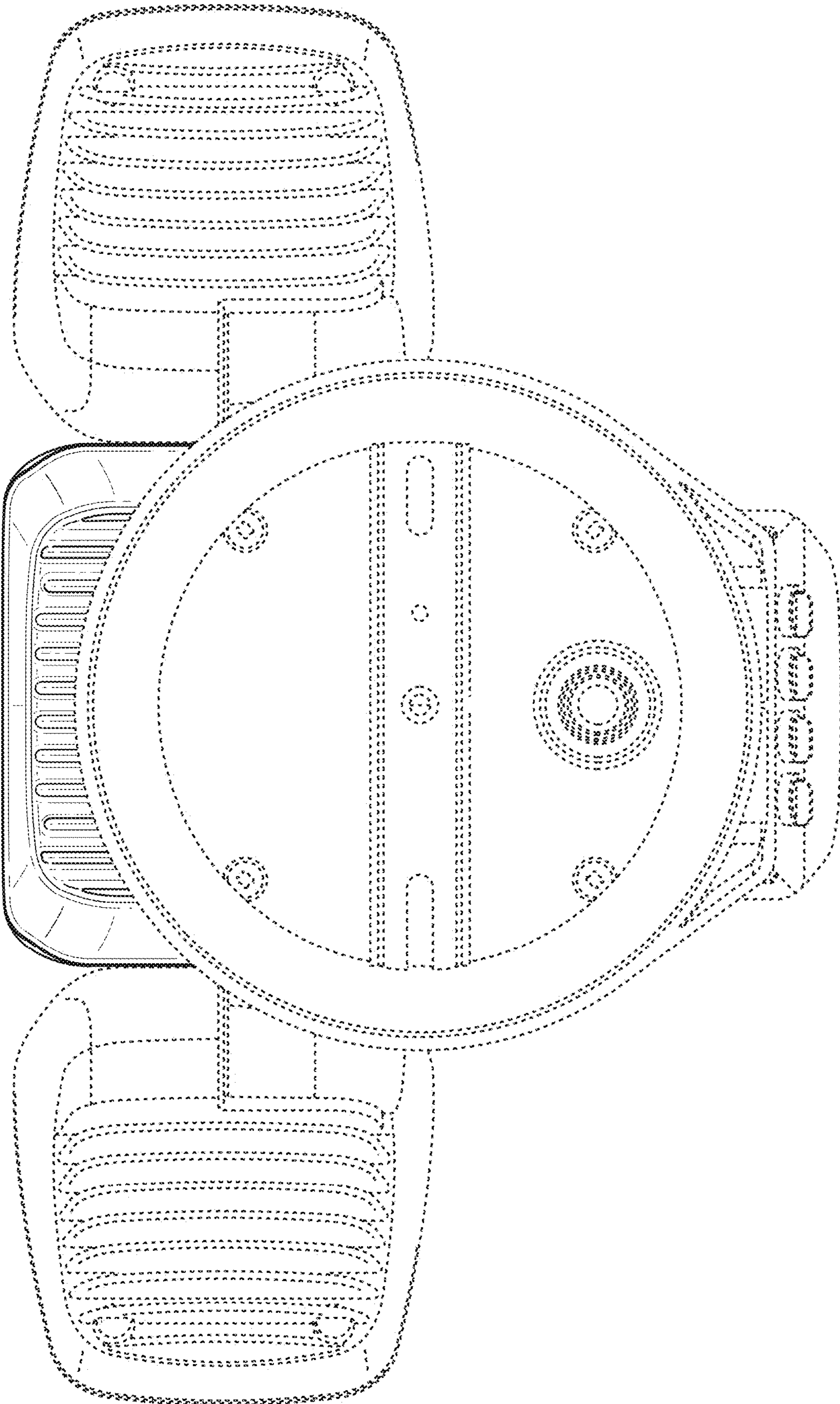


FIG. 4

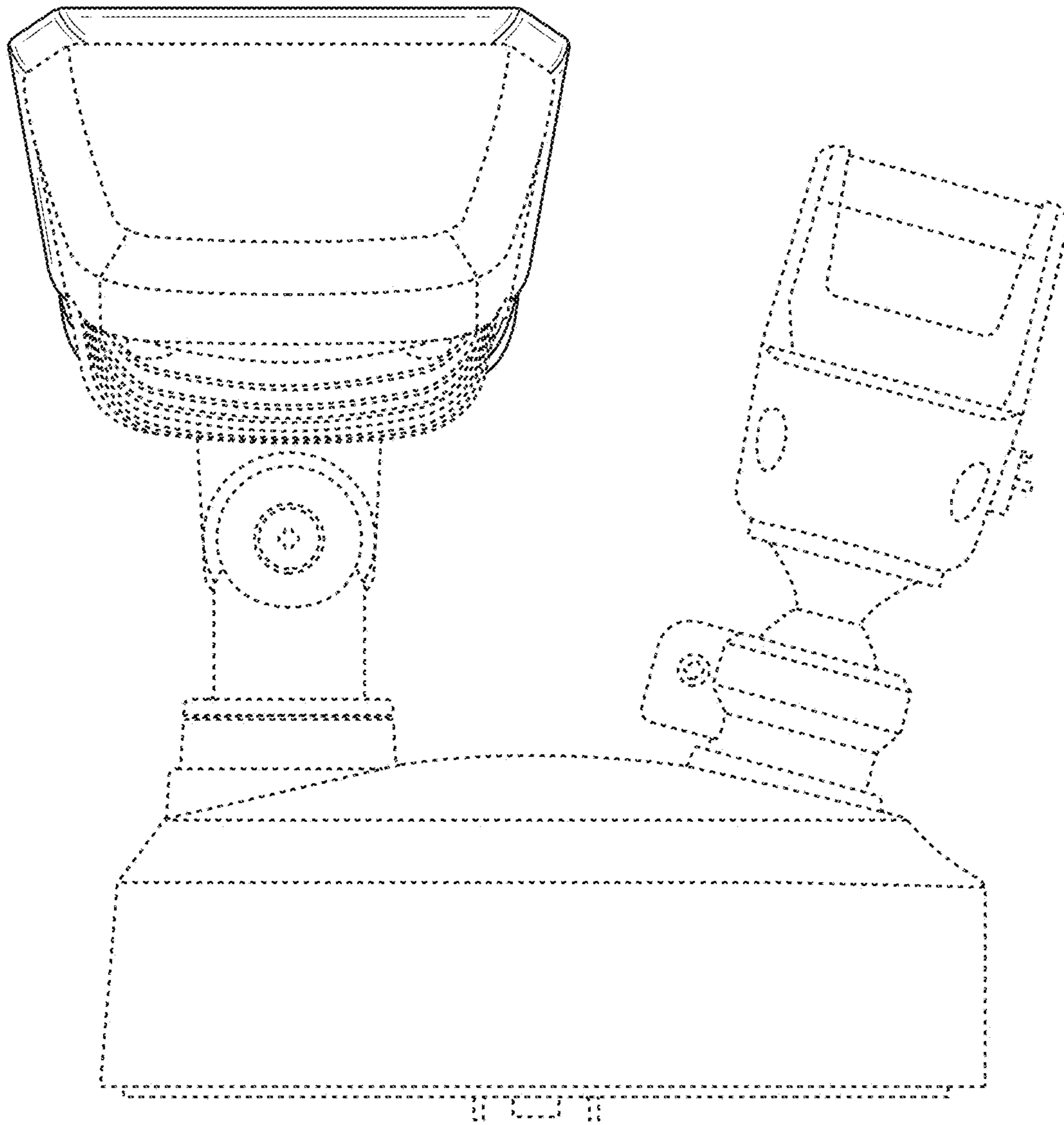


FIG. 5

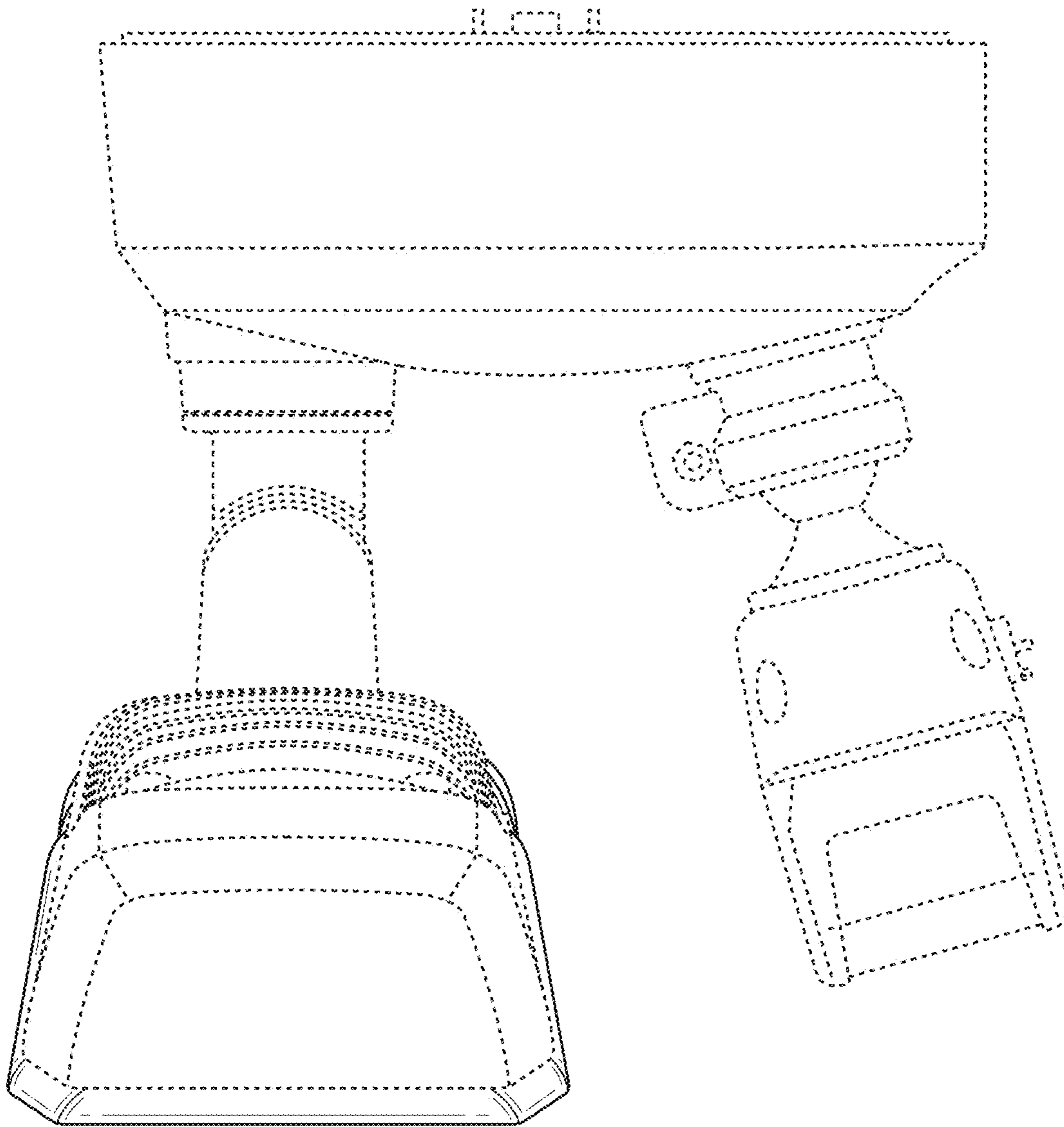


FIG. 6

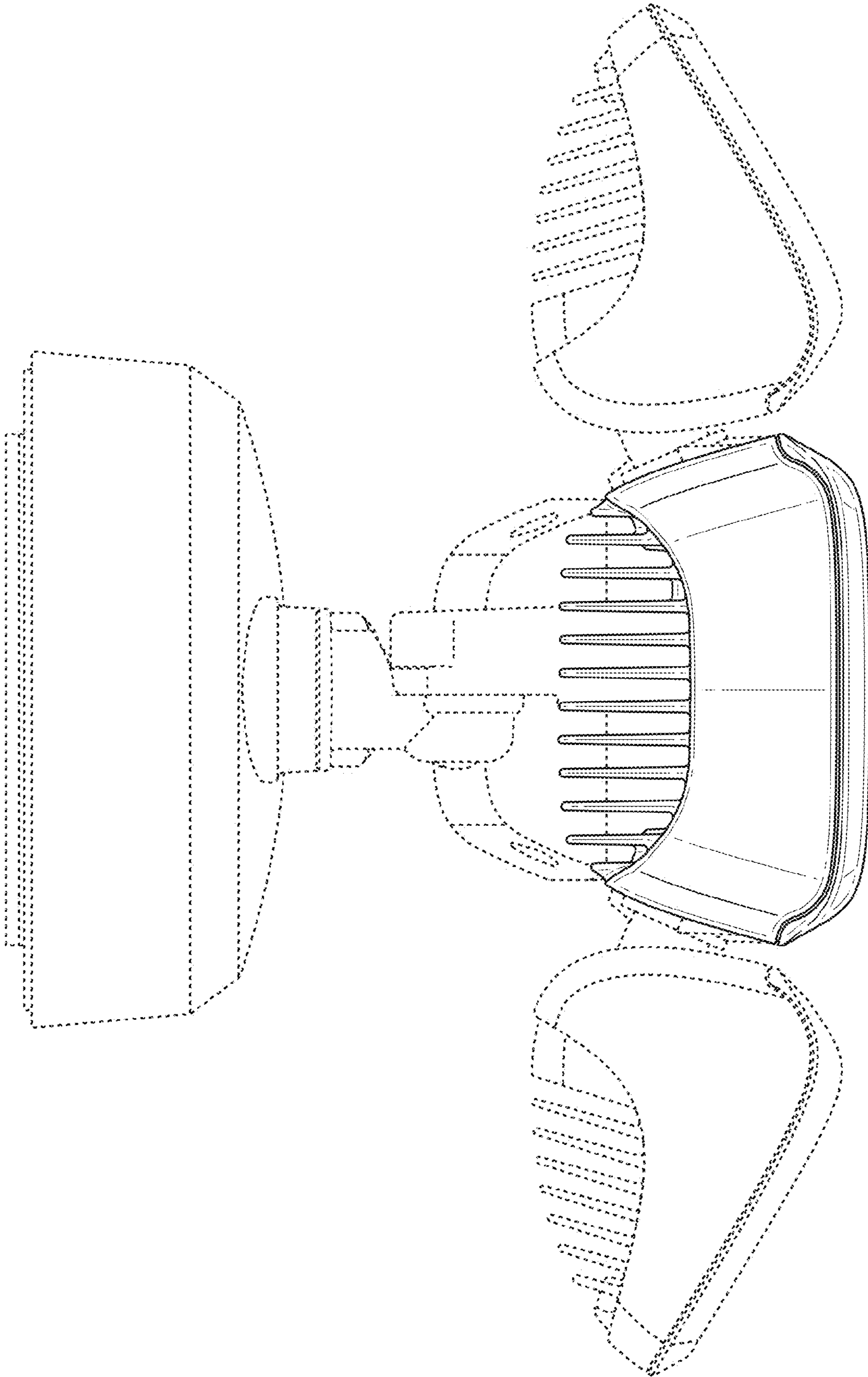


FIG. 7

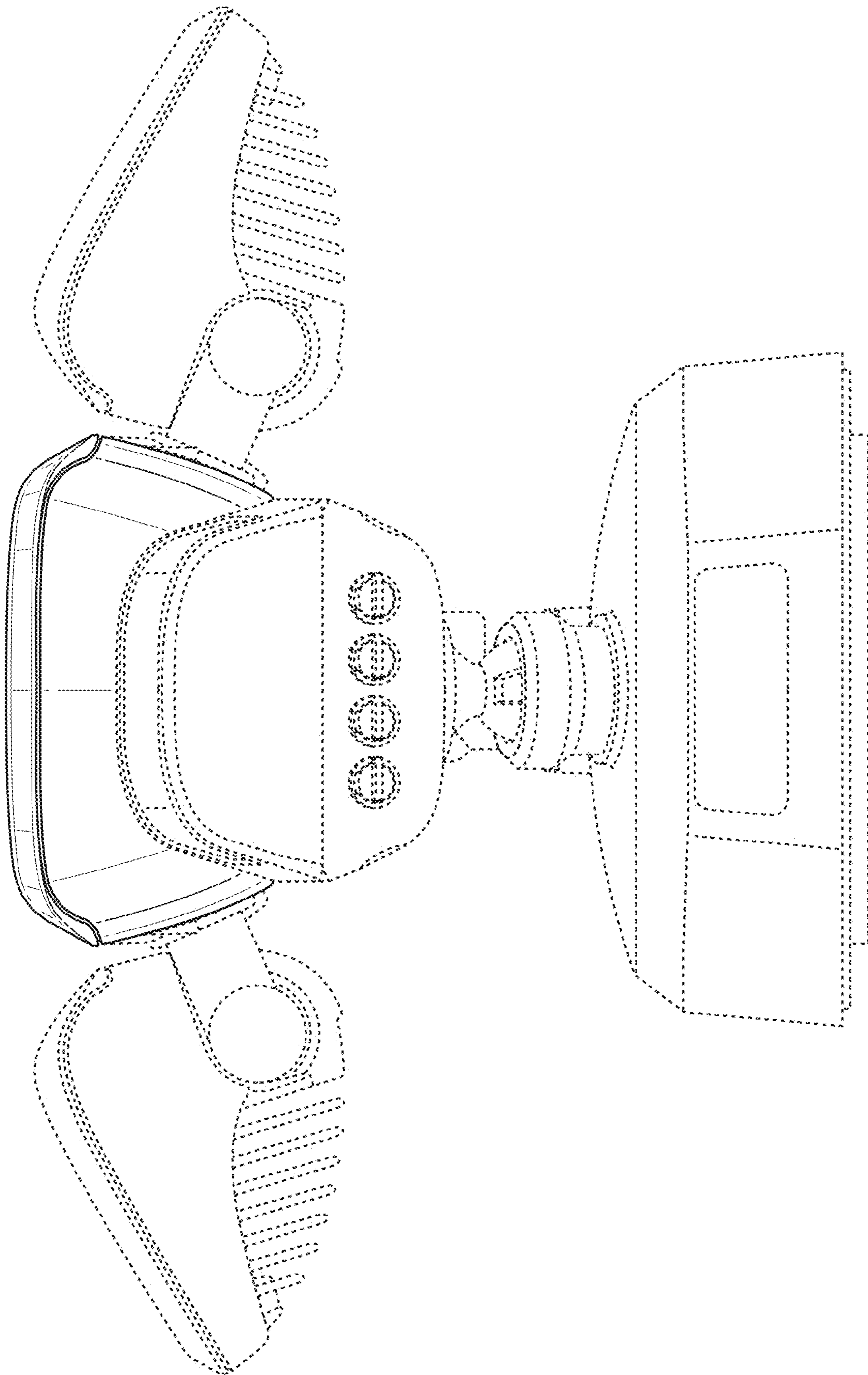


FIG. 8