



US00D975326S

(12) **United States Design Patent**  
**Wang**

(10) **Patent No.:** **US D975,326 S**  
(45) **Date of Patent:** **\*\* Jan. 10, 2023**

(54) **LASER POINTER**

(71) Applicant: **Jingbang Wang**, Anhui (CN)

(72) Inventor: **Jingbang Wang**, Anhui (CN)

(\*\*) Term: **15 Years**

(21) Appl. No.: **29/841,267**

(22) Filed: **Jun. 3, 2022**

(51) **LOC (14) Cl.** ..... **26-02**

(52) **U.S. Cl.**  
USPC ..... **D26/38**

(58) **Field of Classification Search**  
USPC ..... D26/37-44, 46-52; D10/109.1, 111-115  
CPC .... F21V 21/145; F21V 23/0414; F21V 5/006;  
F21L 4/005; F21L 4/045; F41B 15/022;  
Y10S 362/80

See application file for complete search history.

(56) **References Cited**

**U.S. PATENT DOCUMENTS**

D403,451 S *	12/1998	Ting	.....	D26/37
D419,254 S *	1/2000	Chiu	.....	D26/49
D419,704 S *	1/2000	Ting	.....	D26/37
6,366,028 B1 *	4/2002	Wener	.....	H05B 45/38 362/202
D502,736 S	3/2005	Chen		
D516,738 S	3/2006	Lin		
D576,324 S *	9/2008	Wolff	.....	D26/39
D582,915 S *	12/2008	Leung	.....	D26/38
D849,979 S *	5/2019	Lehovetzki	.....	D26/49
D851,797 S *	6/2019	Sharrah	.....	D26/49

D936,142 S *	11/2021	Lan	.....	D19/169
D942,060 S *	1/2022	Luo	.....	D26/37
2004/0233629 A1 *	11/2004	Wang	.....	H05K 5/0278 361/679.4

**OTHER PUBLICATIONS**

alibaba.com, S.Fox, Mini Belt Clip Hook Popular Carabiner Laser Pointer Keychain Flashlight, [https://www.alibaba.com/product-detail/Mini-Belt-Clip-Hook-Popular-Carabiner\\_62358305337.html?spm=a2700.details.0.0.208a79436gPHjt](https://www.alibaba.com/product-detail/Mini-Belt-Clip-Hook-Popular-Carabiner_62358305337.html?spm=a2700.details.0.0.208a79436gPHjt), No Date (Year: 2022).\*  
Amazon, LED Torch Light,6PCS Mini Cat Toy Interactive Training Tools White LED Torch Light Pet Supplies, <https://a.co/d/2ReAG7J>, Jan. 23, 2022 (Year: 2022).\*

\* cited by examiner

*Primary Examiner* — Keli L Hill

*Assistant Examiner* — Harold E Blackwell, II

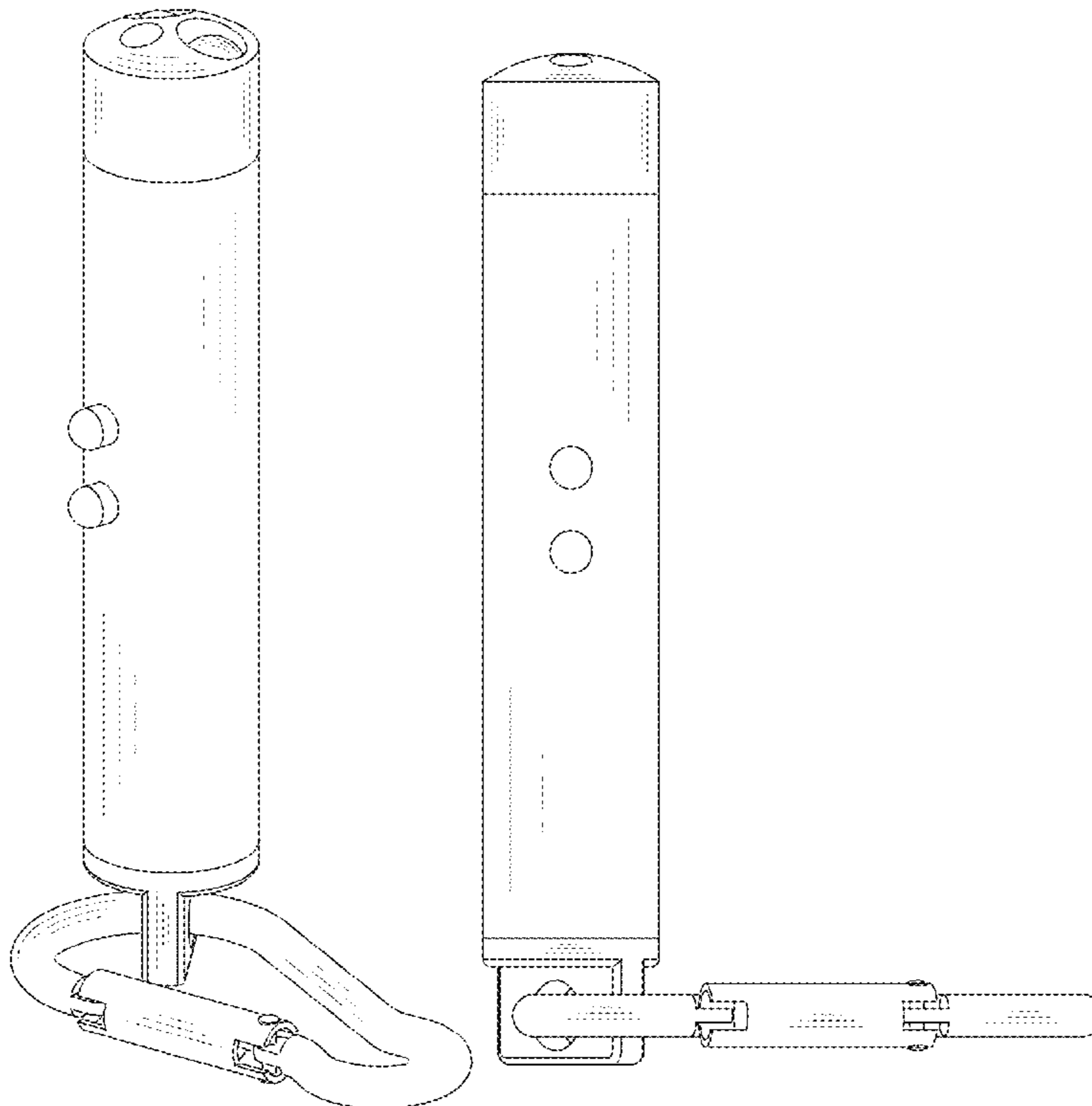
(57) **CLAIM**

The ornamental design for a laser pointer, as shown and described.

**DESCRIPTION**

FIG. 1 is a perspective view of a laser pointer showing my new design;  
FIG. 2 is a front view thereof;  
FIG. 3 is a back view thereof;  
FIG. 4 is a left view thereof;  
FIG. 5 is a right view thereof;  
FIG. 6 is a top view thereof; and,  
FIG. 7 is a bottom view thereof.

**1 Claim, 7 Drawing Sheets**



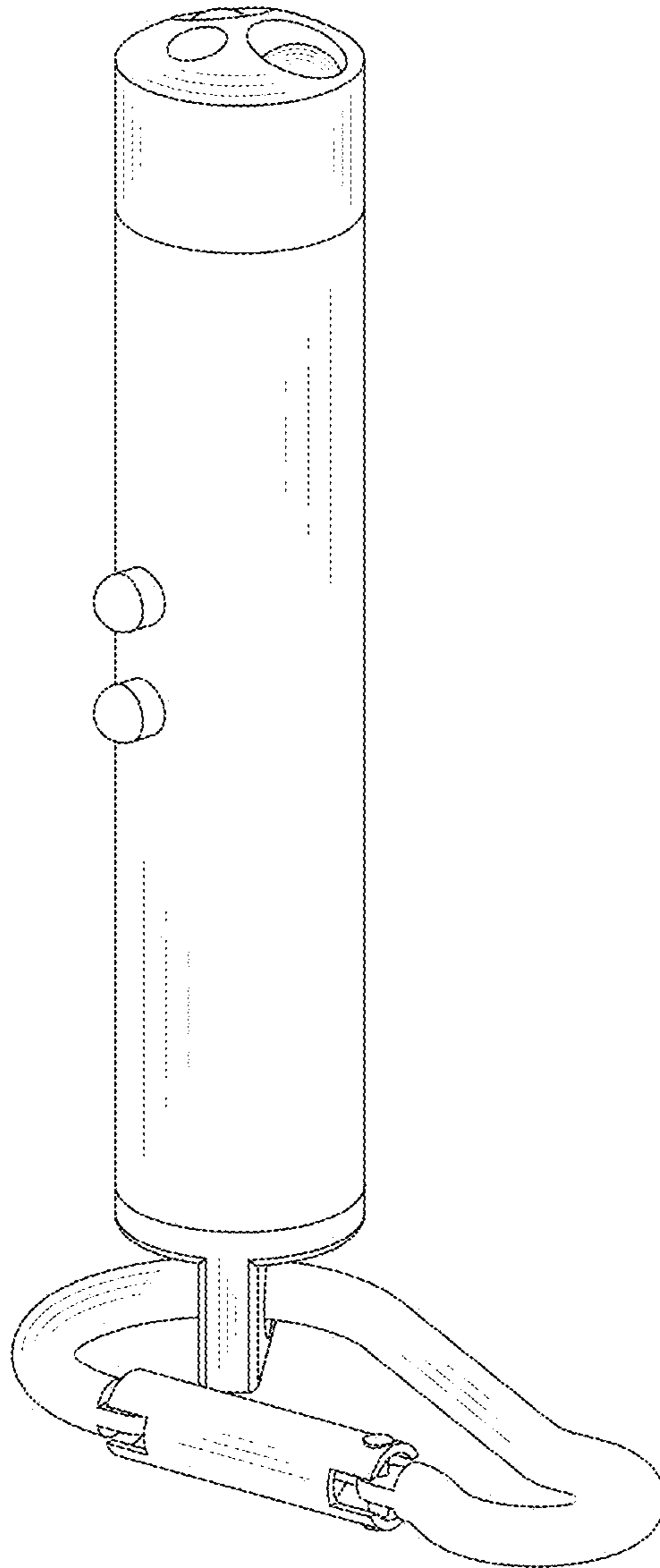


FIG. 1

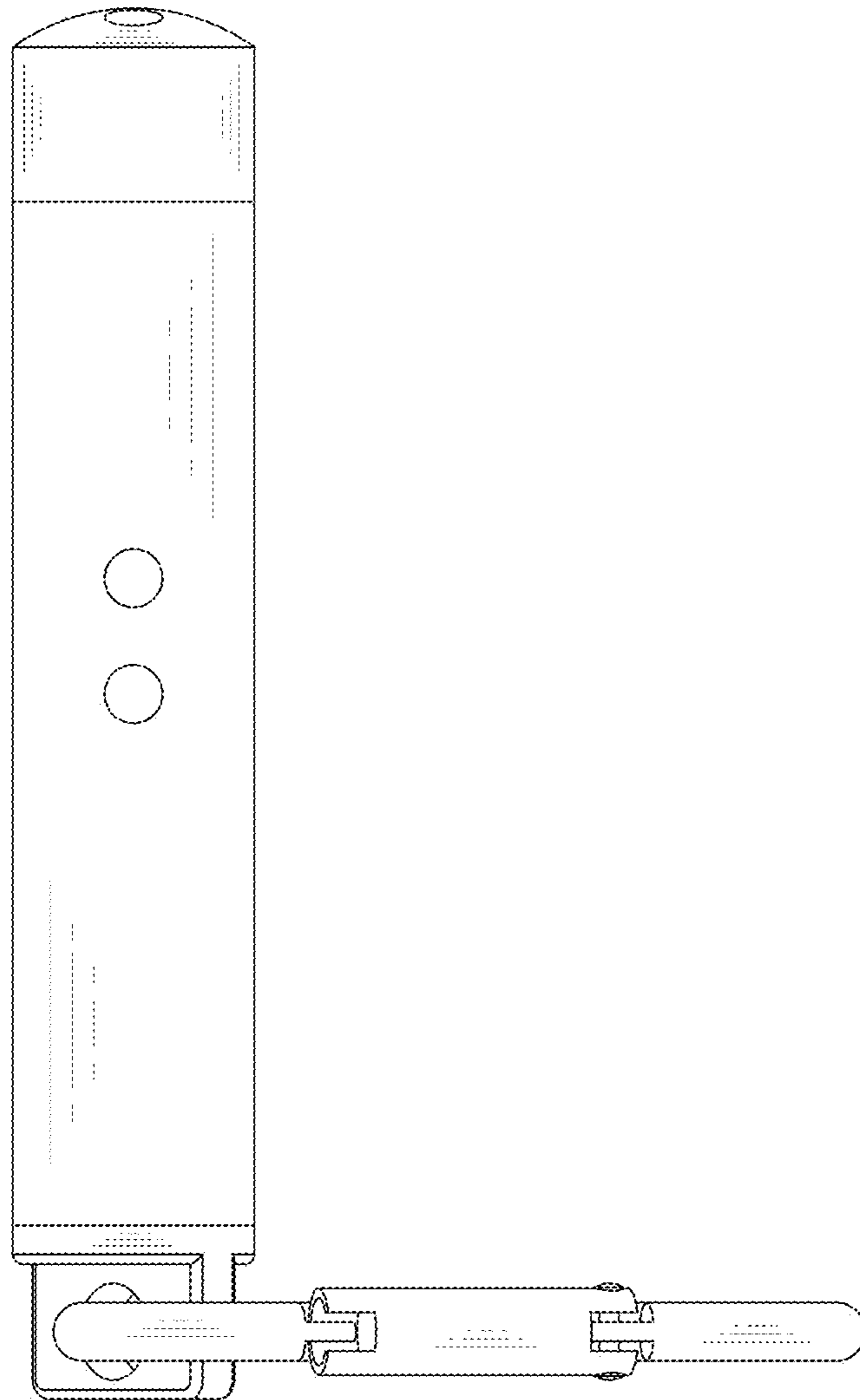


FIG. 2

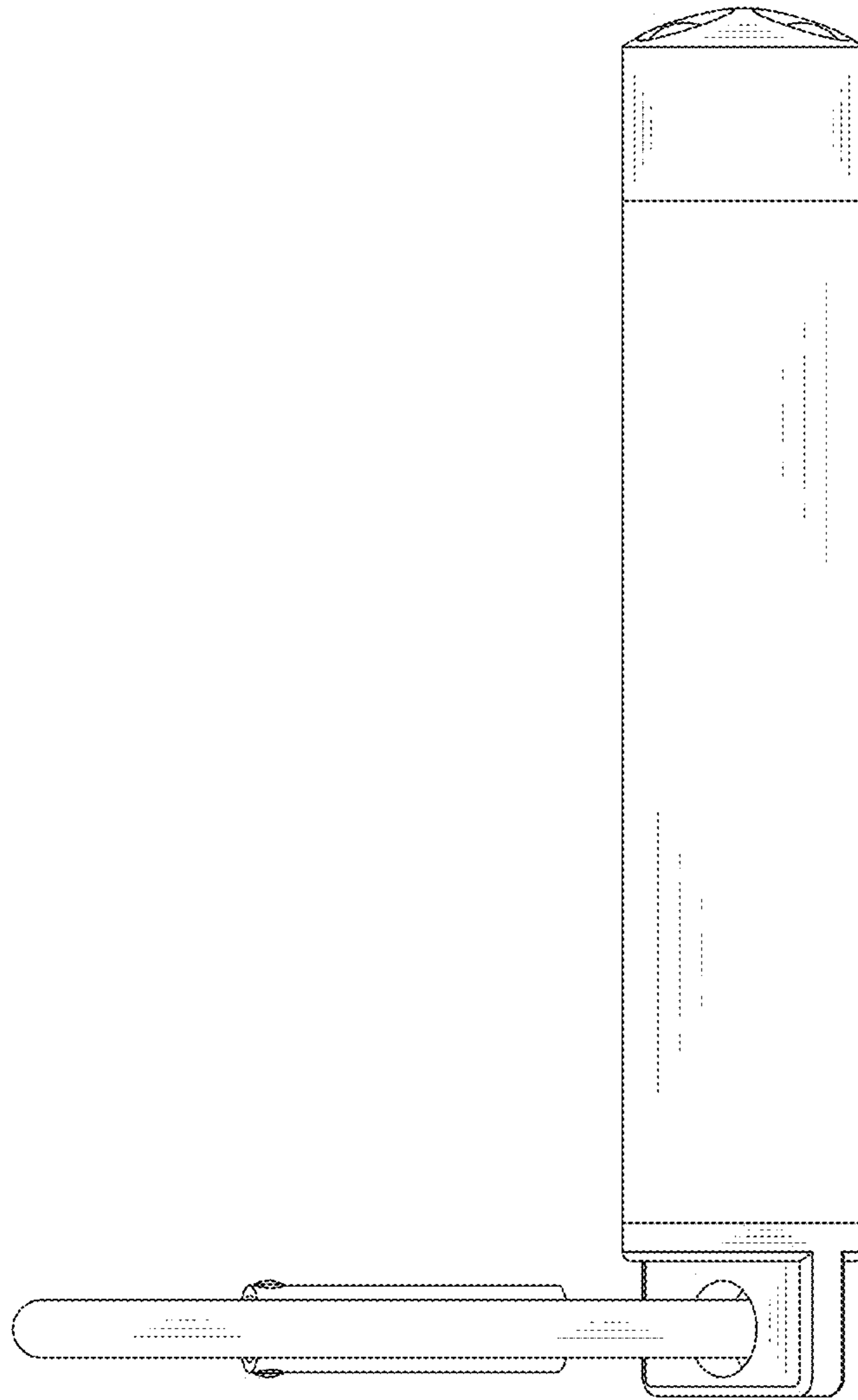


FIG. 3

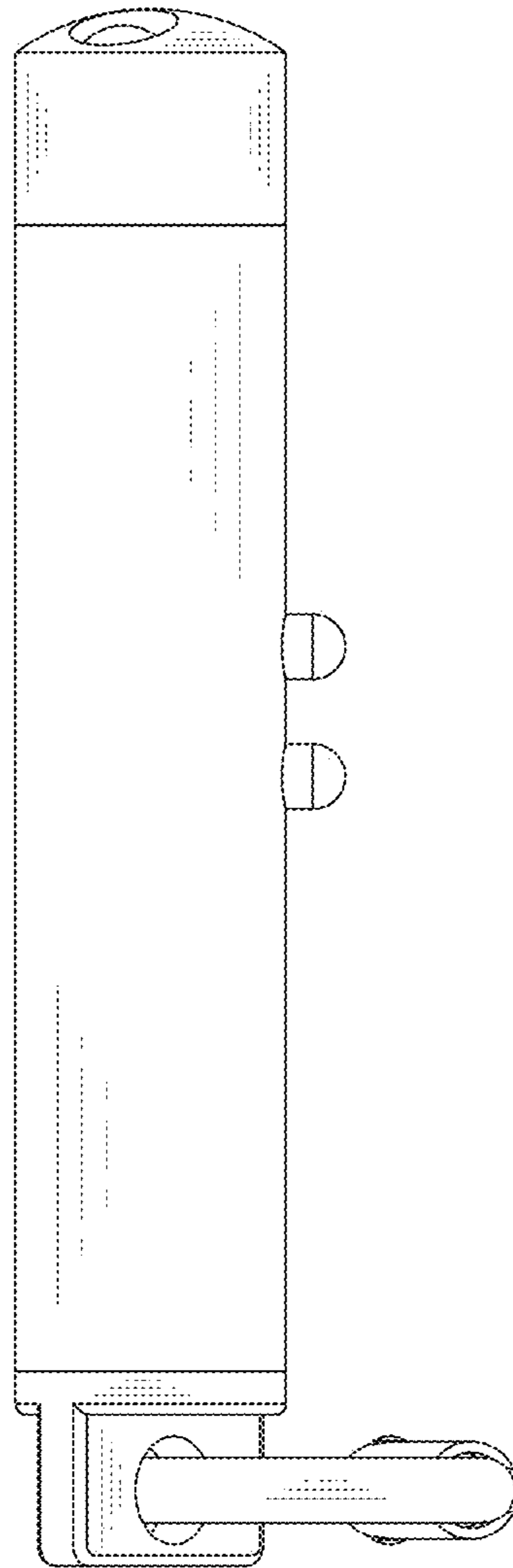


FIG. 4

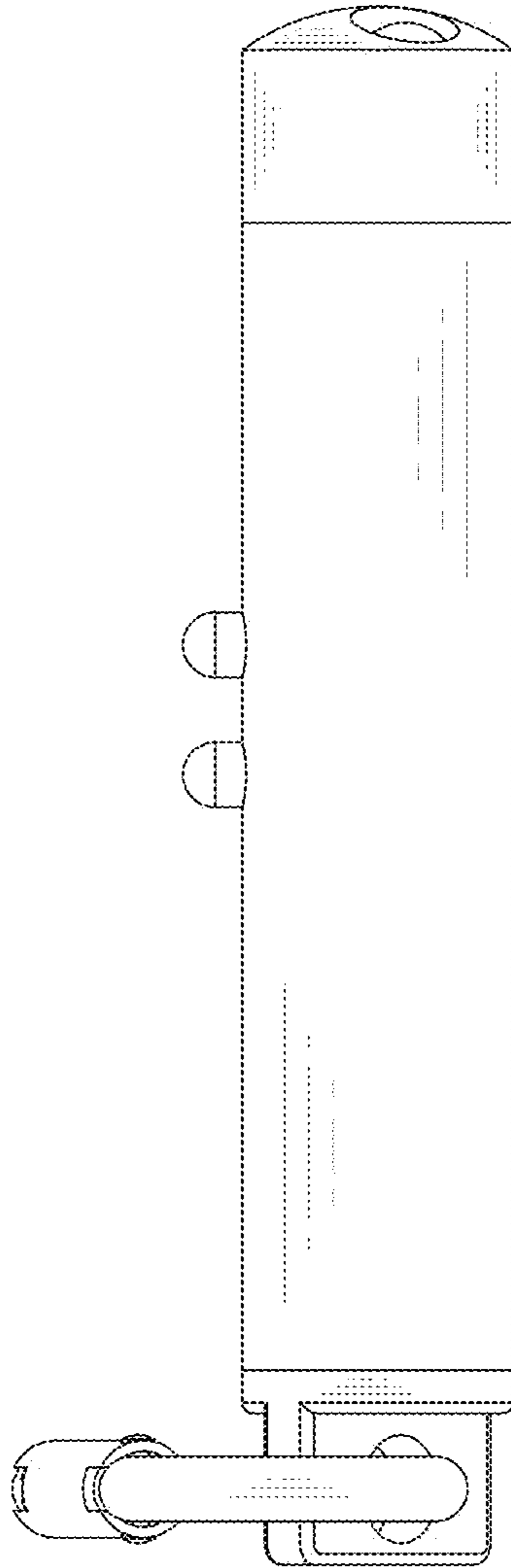


FIG. 5

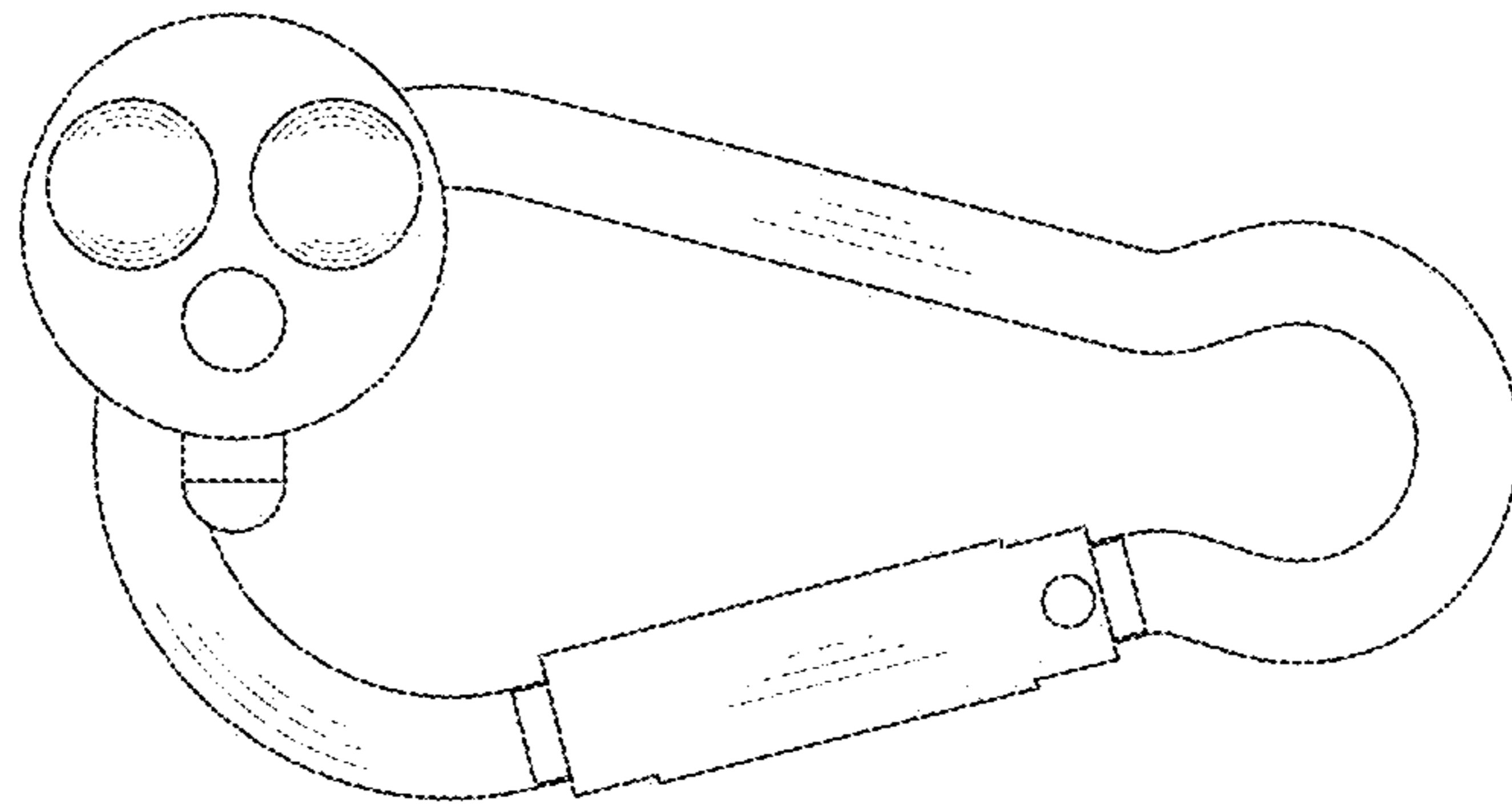


FIG. 6

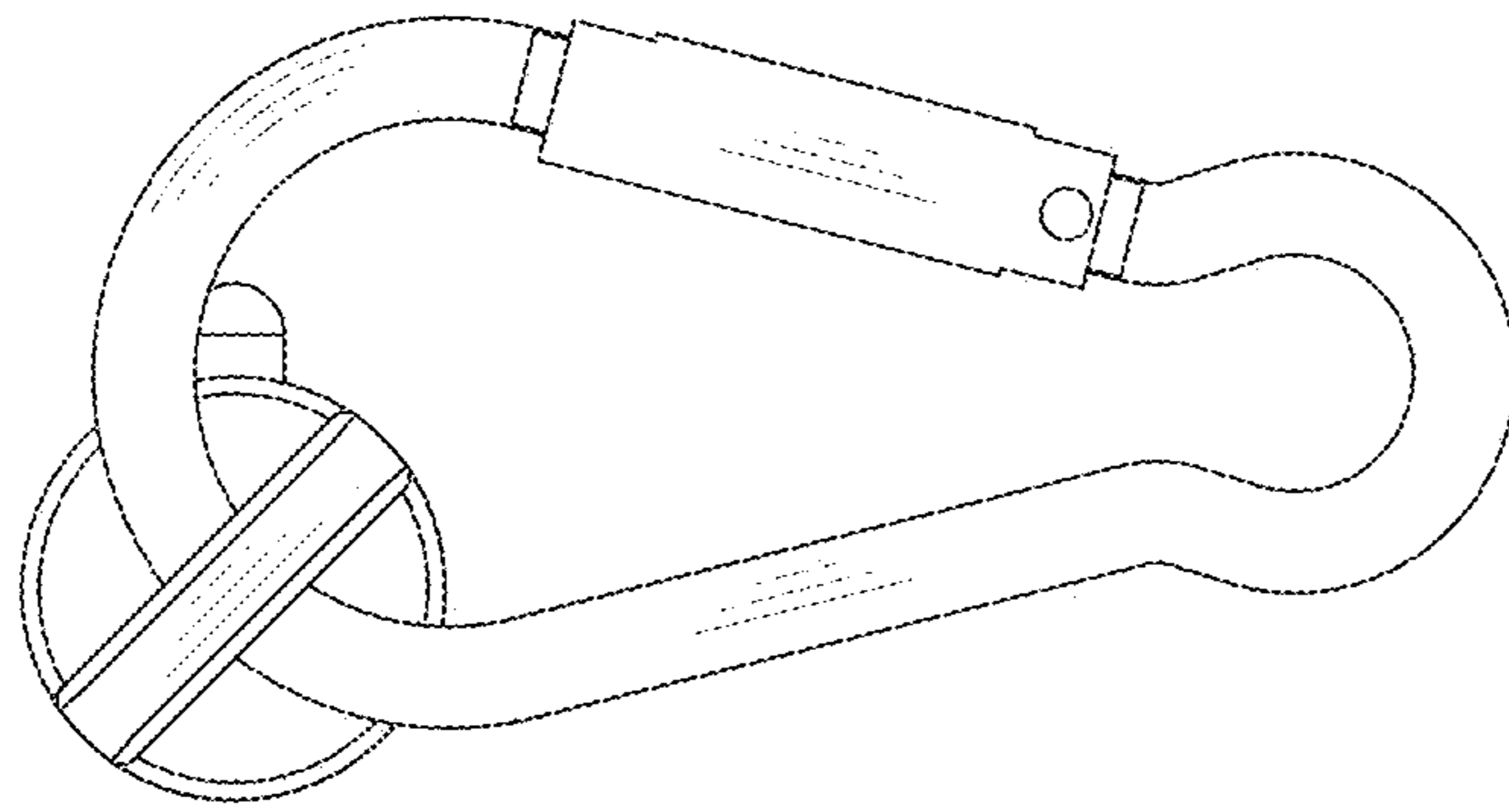


FIG. 7