



US00D975325S

(12) **United States Design Patent**  
**Miao**

(10) **Patent No.:** **US D975,325 S**  
(45) **Date of Patent:** **\*\* Jan. 10, 2023**

- (54) **PORTABLE LIGHT**
- (71) Applicant: **Zhishu Electronic Commerce (Foshan) Co., Ltd**, Foshan (CN)
- (72) Inventor: **Bin Miao**, Guangzhou (CN)
- (\*\*) Term: **15 Years**
- (21) Appl. No.: **29/794,500**
- (22) Filed: **Jun. 13, 2021**
- (51) **LOC (14) Cl.** ..... **26-02**
- (52) **U.S. Cl.**  
USPC ..... **D26/37; D26/60**
- (58) **Field of Classification Search**  
USPC ..... D26/40, 41, 67-70, 85, 91, 55, 60  
CPC ..... F21S 8/03; F21S 9/037; F21W 2111/02;  
F21W 2131/109  
See application file for complete search history.

- D932,679 S \* 10/2021 Johnson ..... D26/89
- D936,265 S \* 11/2021 Johnson ..... D26/67
- D936,272 S \* 11/2021 Johnson ..... D26/89
- 2005/0094395 A1 5/2005 Rosenberg
- 2008/0237422 A1\* 10/2008 Dalton ..... A42B 3/04  
248/229.1
- 2013/0308306 A1\* 11/2013 Hootman ..... F21L 4/04  
362/184

**OTHER PUBLICATIONS**

Amazon, Bike Lights, Arespark LED Bike Lights Front and Back Rechargeable, LE Super Bright Bicycle Lights Front and Back, Lumiere Velo Bike Headlight Taillight Combinations Bike Accessories for Men(4 Modes), Jul. 12, 2016, <https://a.co/d/huuvW6c> (Year: 2016).\*

\* cited by examiner

*Primary Examiner* — Keli L Hill  
*Assistant Examiner* — Harold E Blackwell, II  
(74) *Attorney, Agent, or Firm* — Xiaofang Zhong

(56) **References Cited**

**U.S. PATENT DOCUMENTS**

- D366,947 S 2/1996 Brown
- D482,486 S 11/2003 Demers
- 7,390,104 B2 6/2008 Coushaine
- D577,836 S 9/2008 Engebrigtsen
- D617,925 S 6/2010 Coushaine et al.
- D645,191 S 9/2011 Krause
- D765,294 S 8/2016 Li
- D768,322 S \* 10/2016 Feustel ..... D26/60
- D828,606 S \* 9/2018 Johnson ..... D26/80
- D829,353 S \* 9/2018 Tsai ..... D26/28
- D840,070 S 2/2019 Cramer
- D850,682 S 6/2019 DeBrunner
- D884,947 S 5/2020 Tang et al.
- D900,364 S 10/2020 Ford
- D903,927 S \* 12/2020 Johnson ..... D26/89
- D905,895 S \* 12/2020 Johnson ..... D26/89
- D909,646 S \* 2/2021 Saboo ..... D26/60
- D920,543 S 5/2021 Wei
- D921,949 S \* 6/2021 Lin ..... D26/60
- D929,007 S \* 8/2021 Ke ..... D26/60

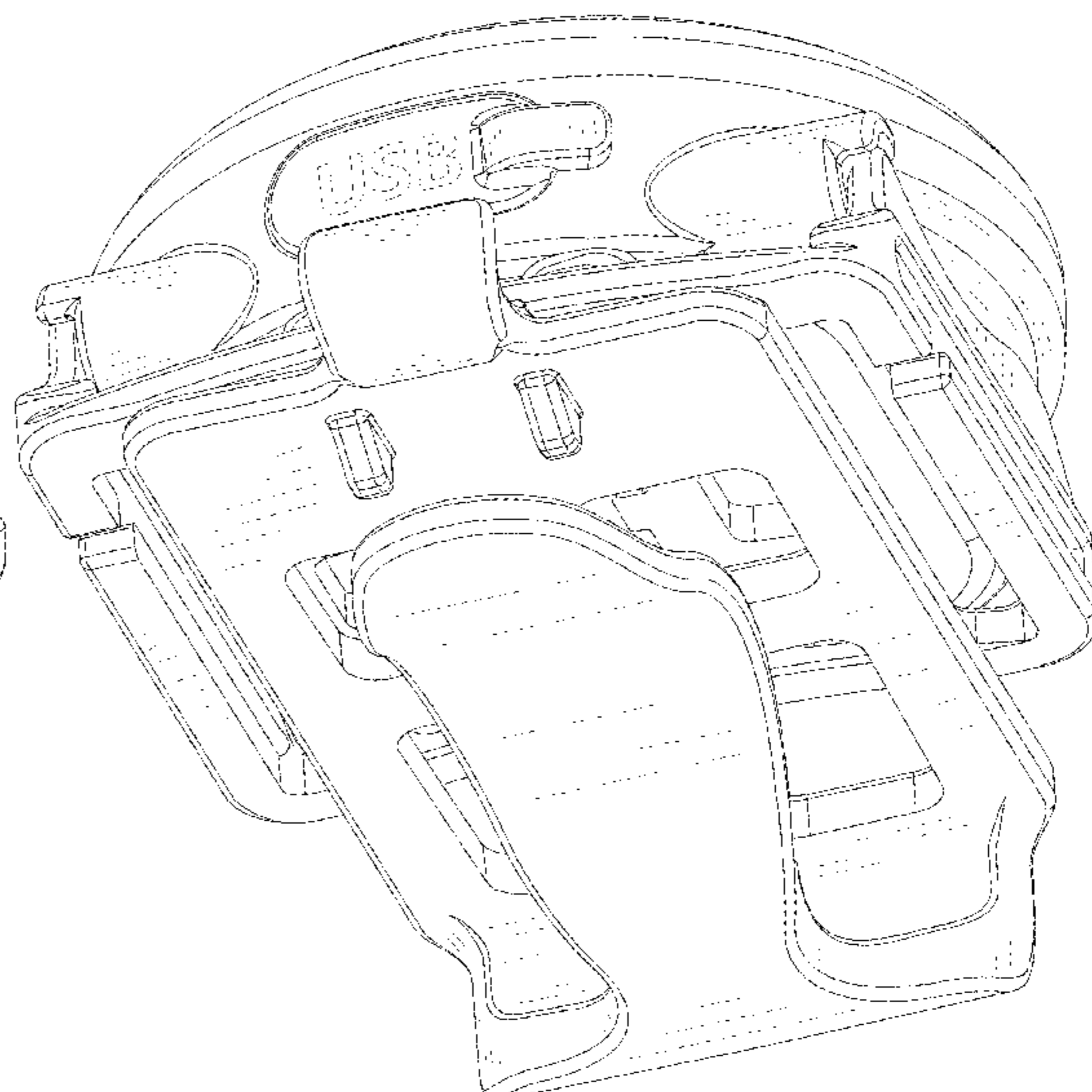
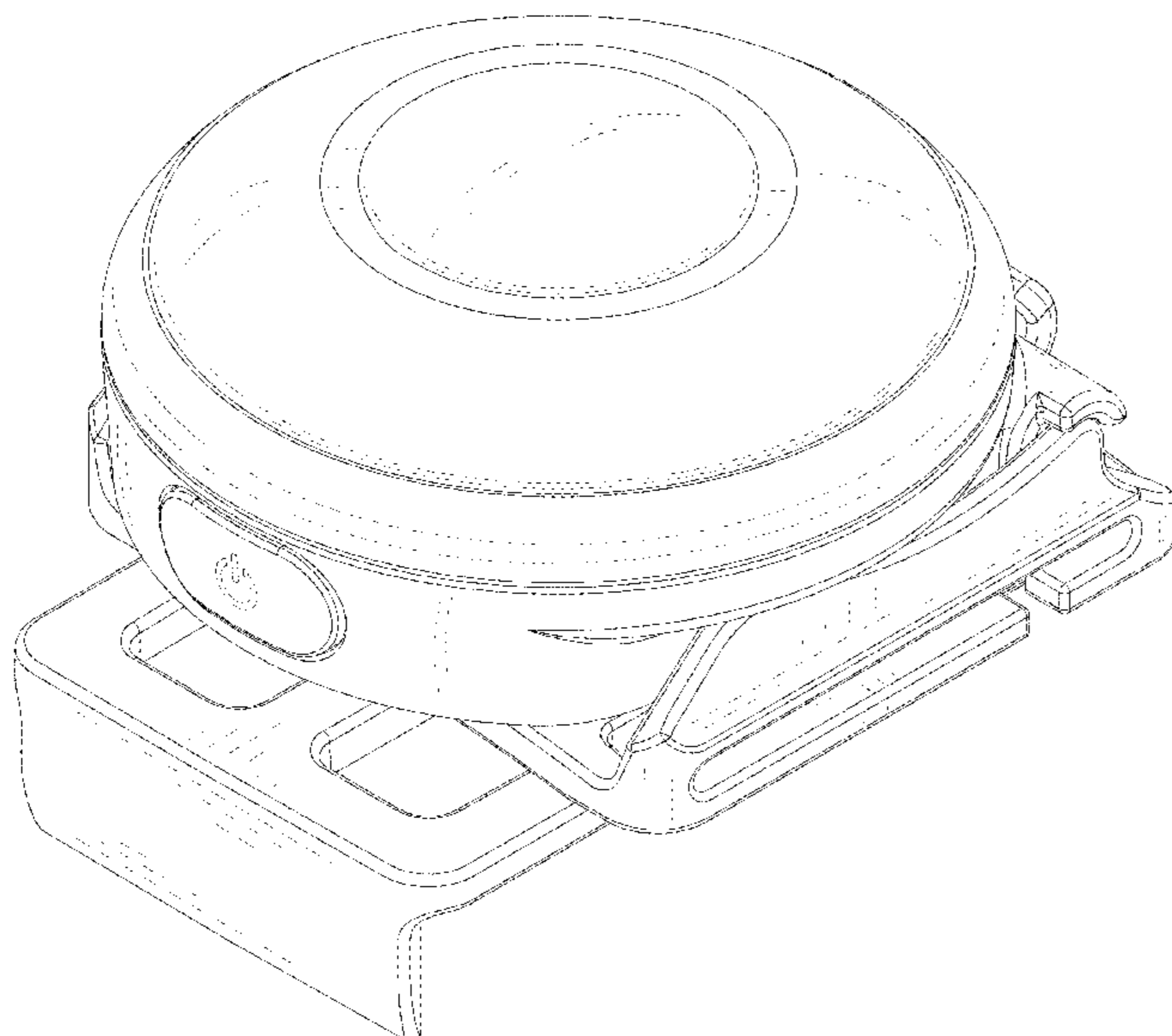
(57) **CLAIM**

The ornamental design for a portable light, as shown and described.

**DESCRIPTION**

FIG. 1 is a top perspective view of a portable light showing my new design;  
FIG. 2 is a bottom perspective view of the portable light thereof;  
FIG. 3 is a front elevational view thereof;  
FIG. 4 is a back elevational view thereof;  
FIG. 5 is a left side view thereof;  
FIG. 6 is a right side view thereof;  
FIG. 7 is a top plan view thereof; and,  
FIG. 8 is a bottom plan view thereof.  
The broken lines in the drawings depict portions of the portable light that form no part of the claimed design.

**1 Claim, 8 Drawing Sheets**



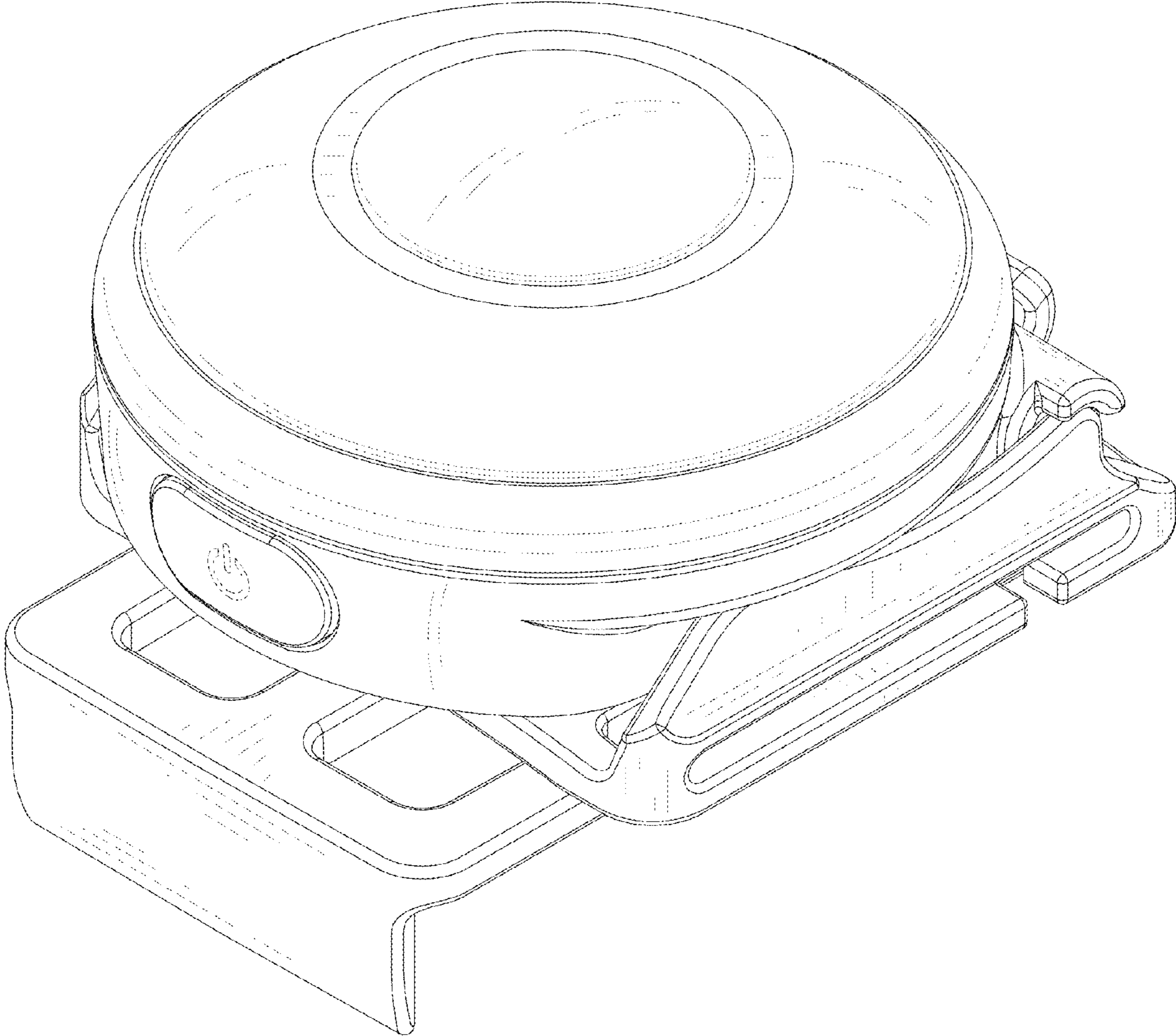


FIG.1



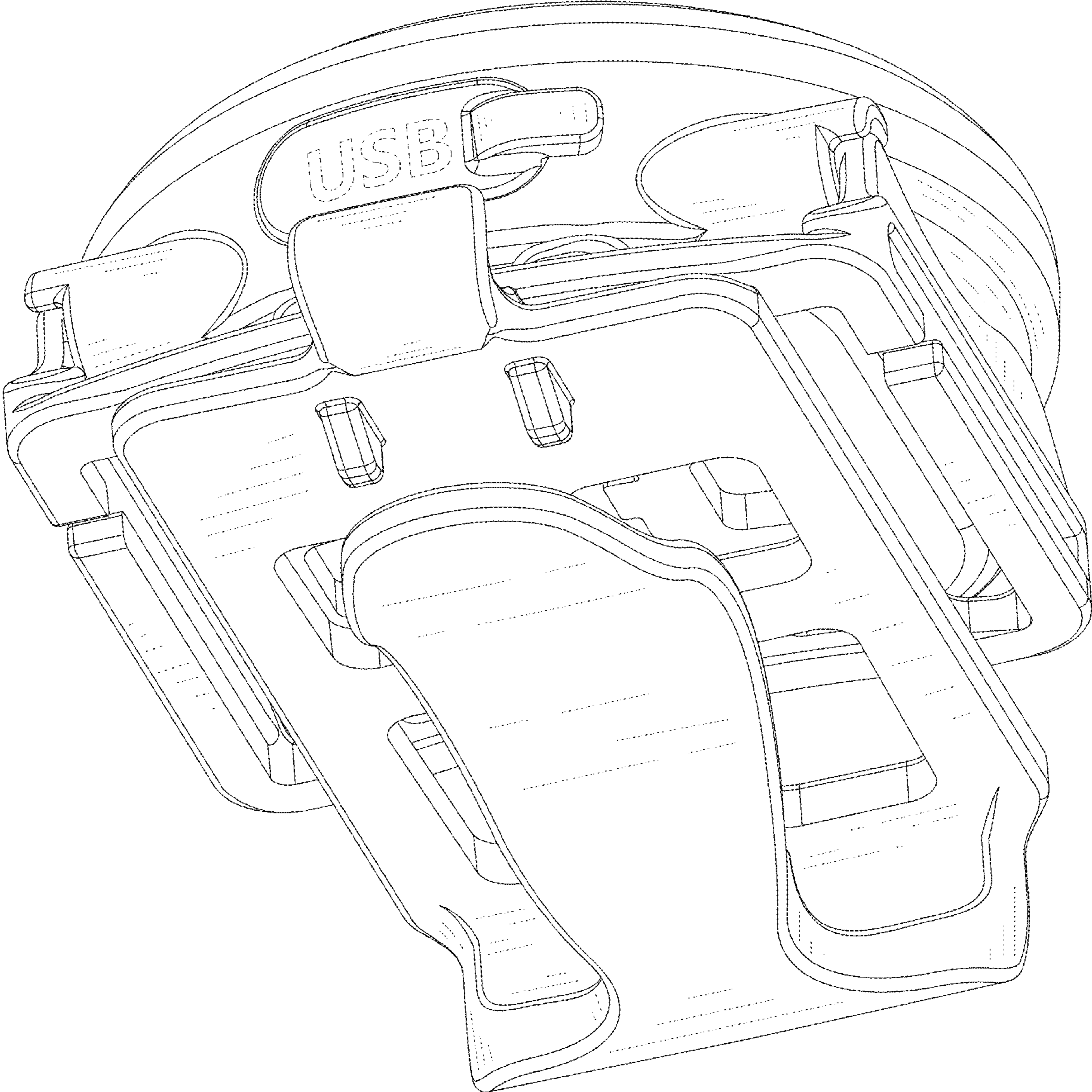


FIG.2

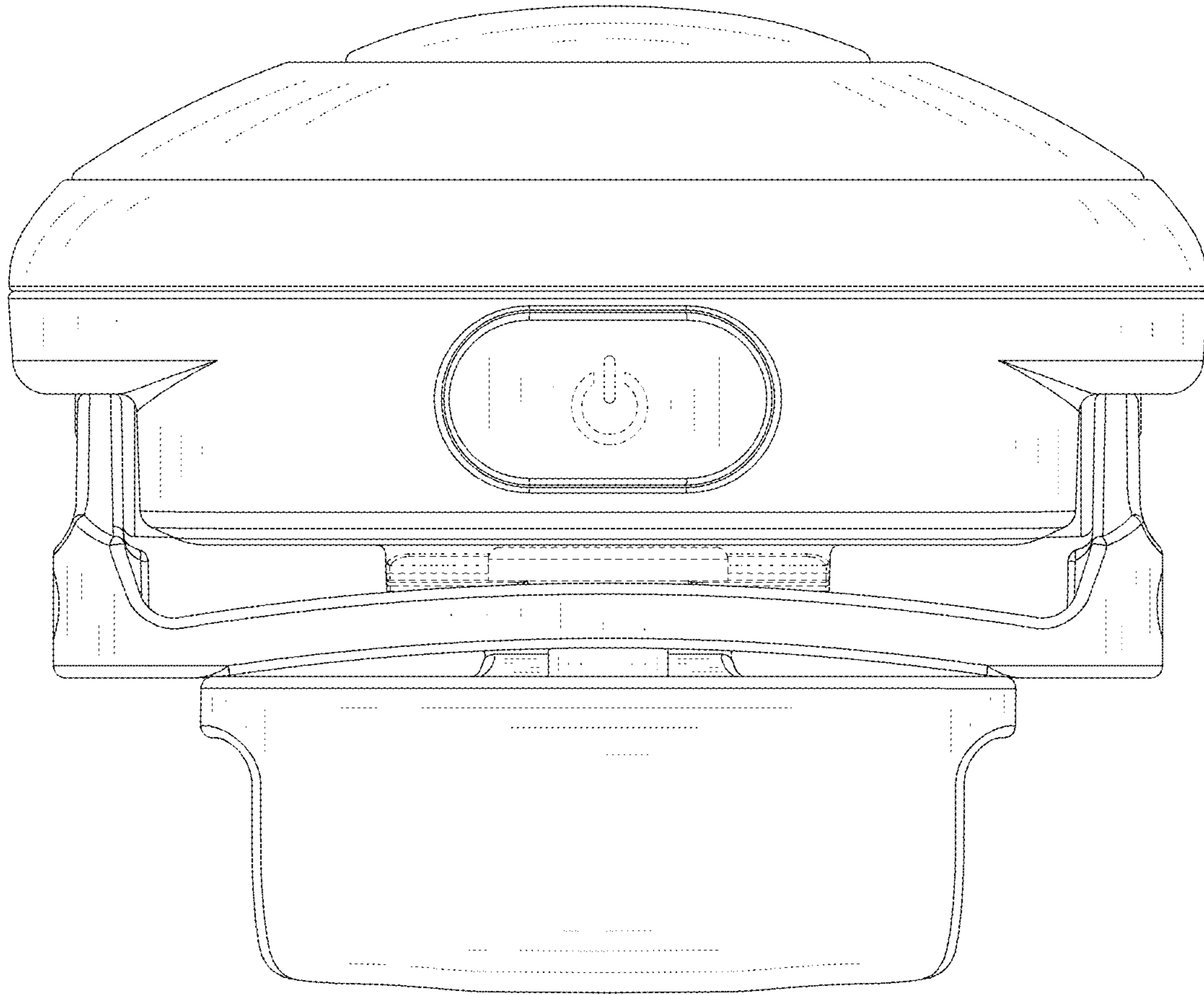


FIG.3

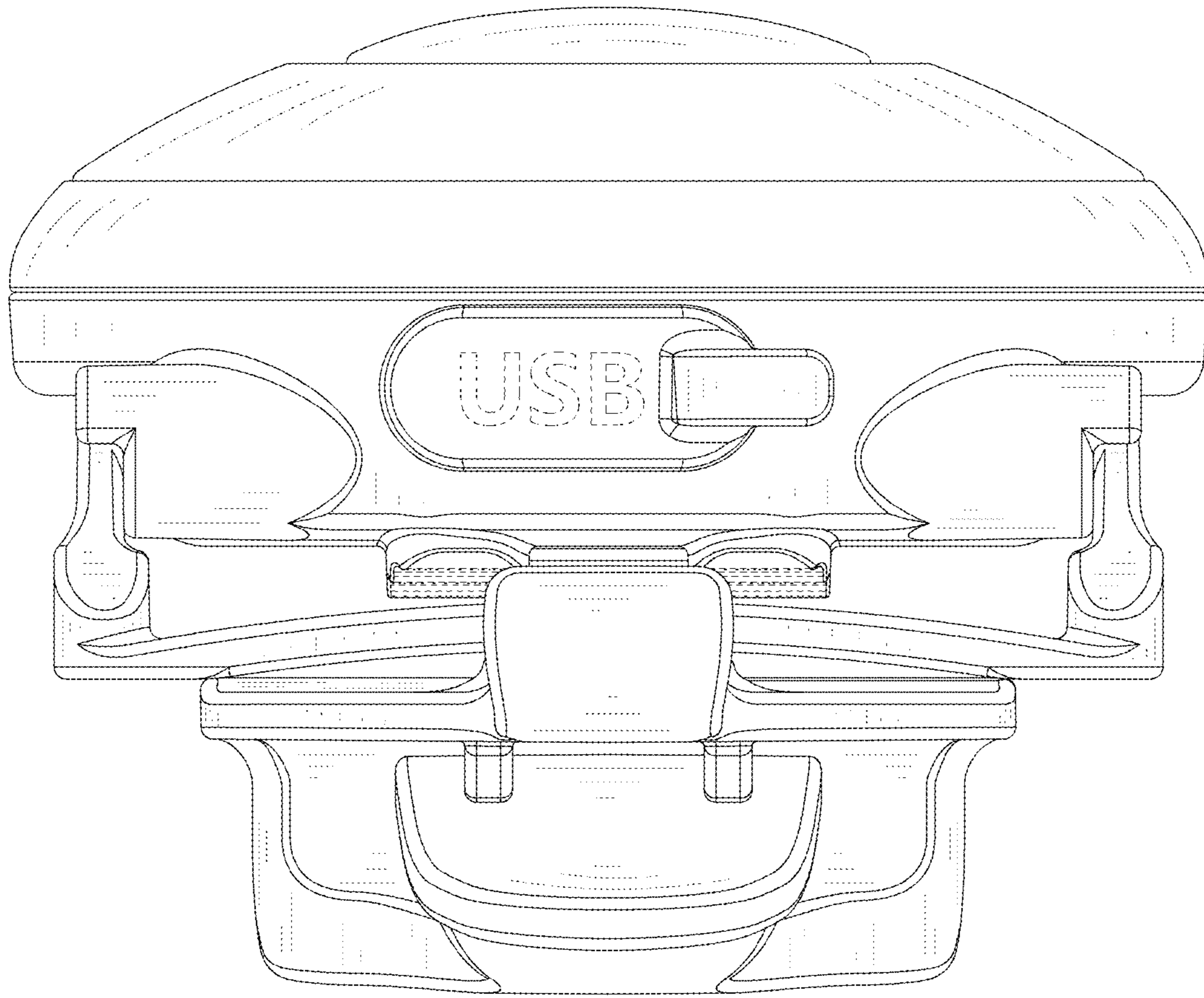


FIG. 4

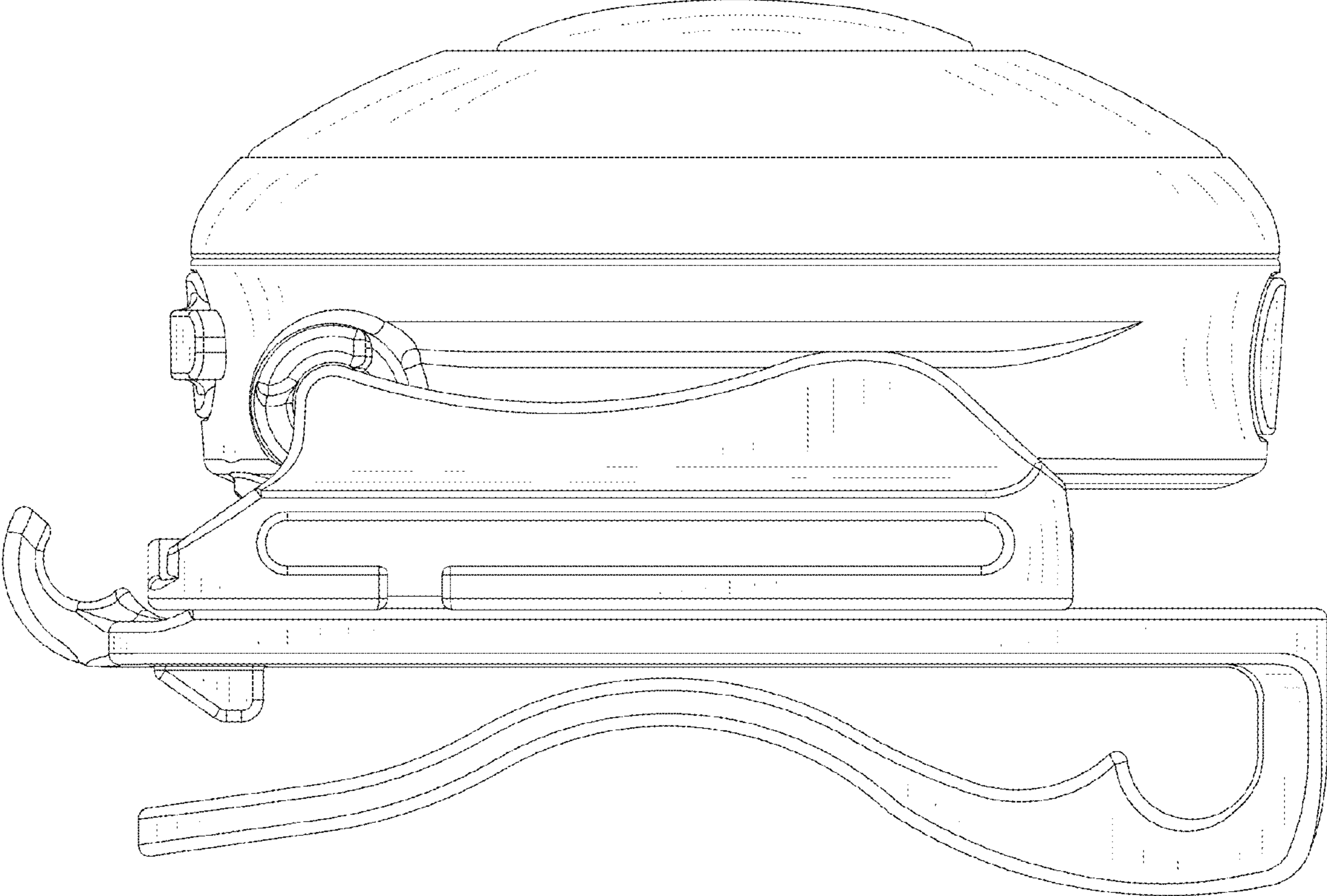


FIG. 5

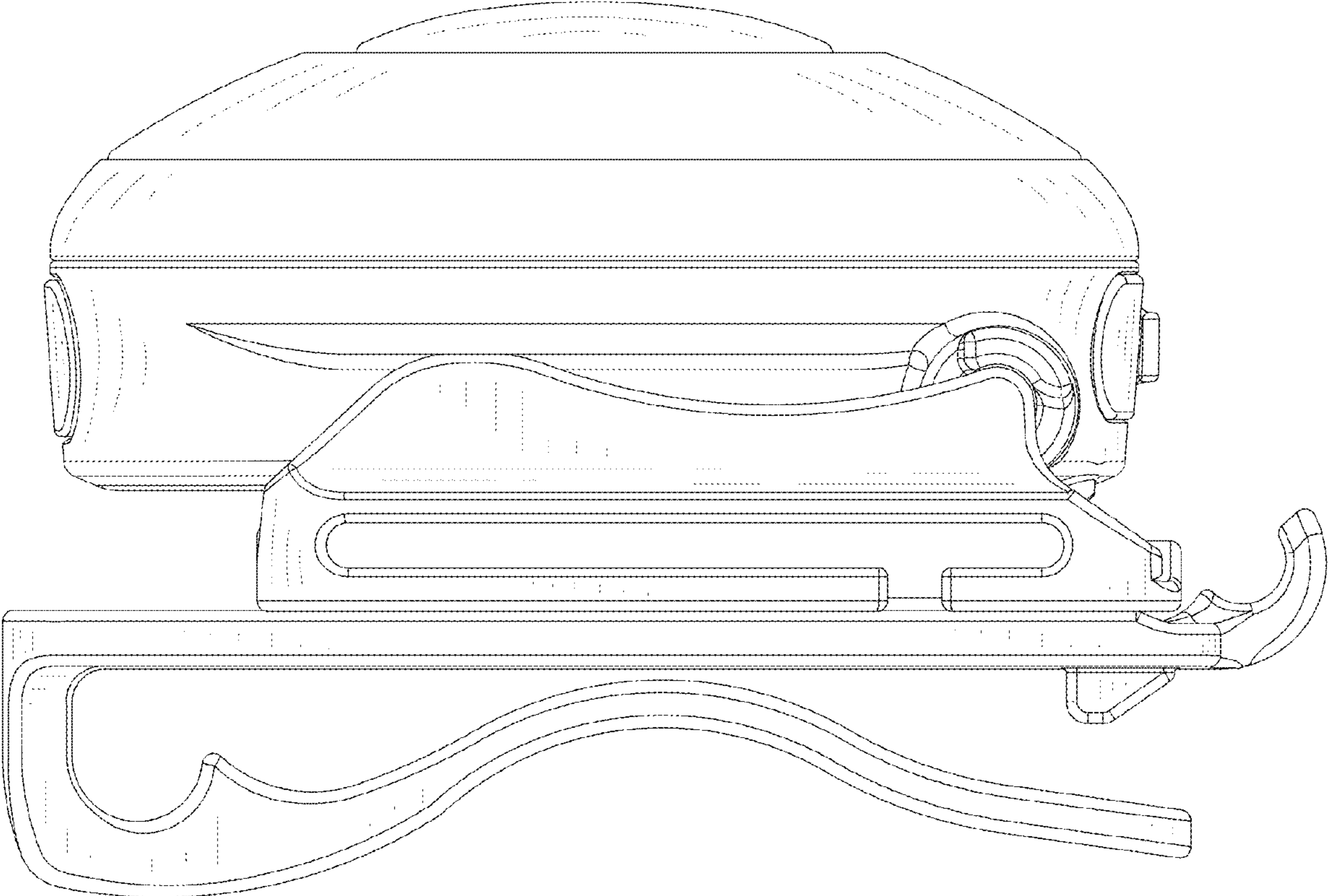


FIG.6



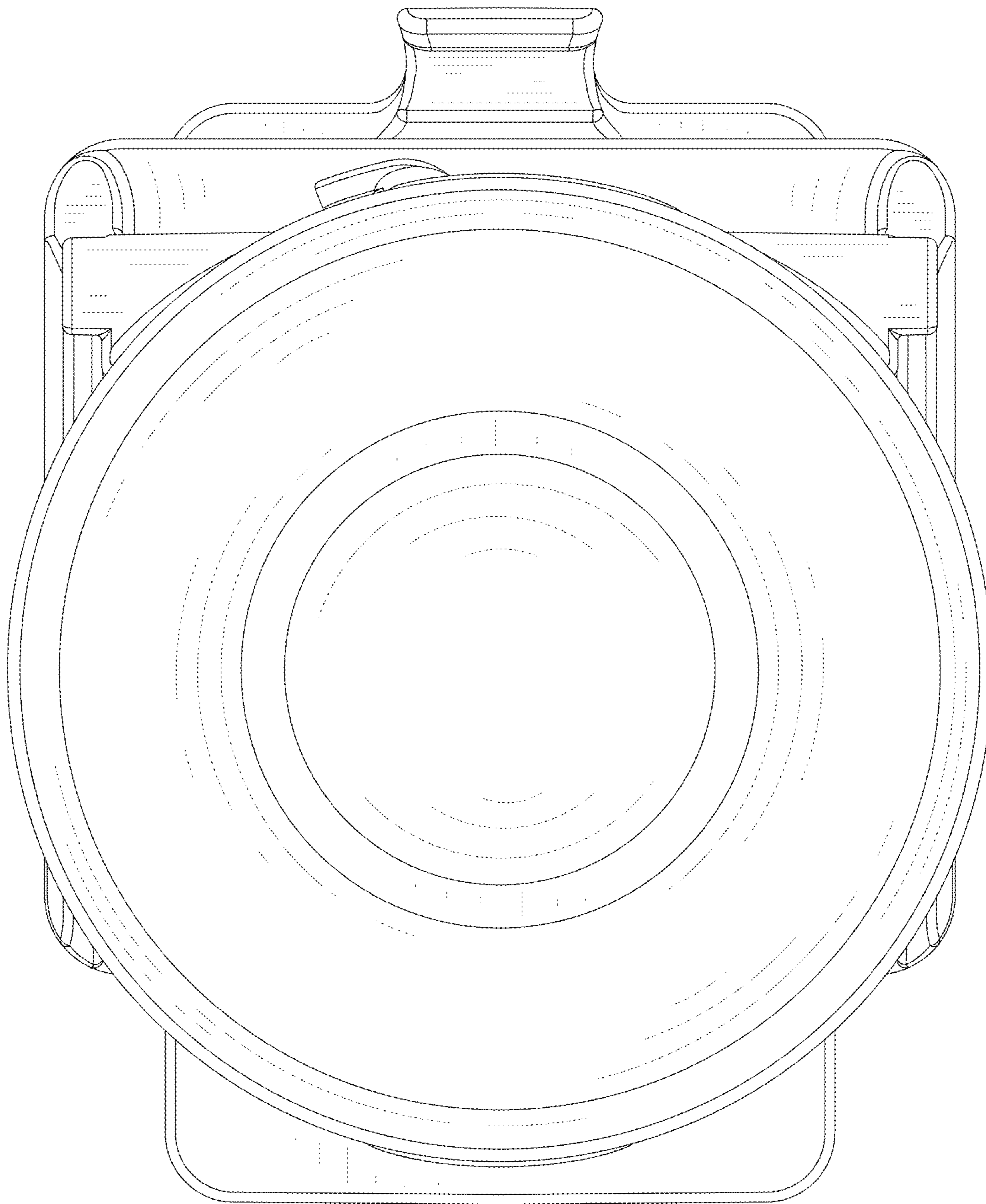


FIG. 7



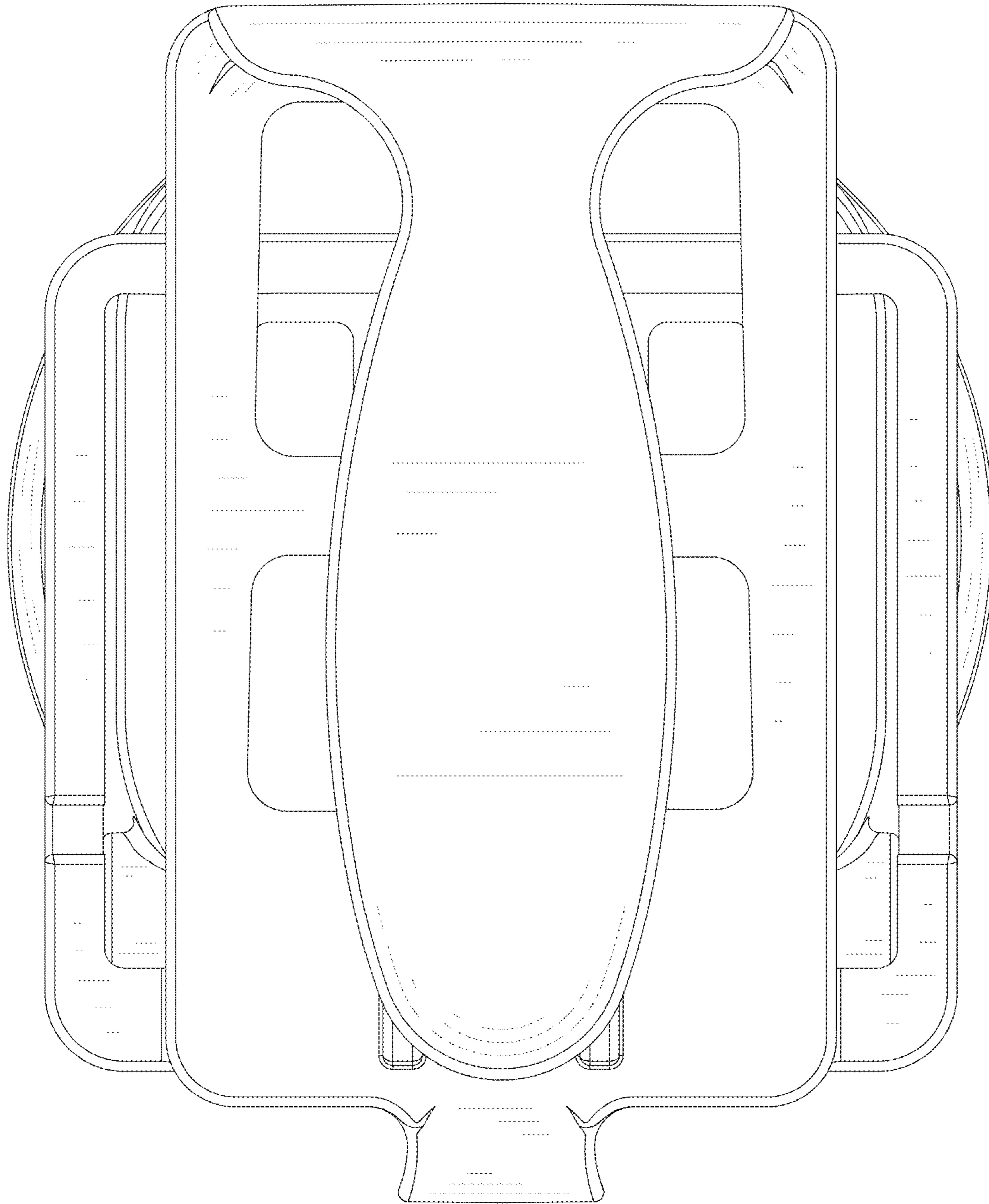


FIG. 8