



US00D975324S

(12) **United States Design Patent** (10) **Patent No.:** **US D975,324 S**
Kang et al. (45) **Date of Patent:** **** Jan. 10, 2023**

(54) **HEAD LAMP FOR AUTOMOBILE**

(56) **References Cited**

(71) Applicants: **HYUNDAI MOTOR COMPANY**,
Seoul (KR); **KIA CORPORATION**,
Seoul (KR)

U.S. PATENT DOCUMENTS

D701,983 S *	4/2014	Kong	D26/28
D704,870 S *	5/2014	Kim	D26/28
D705,966 S *	5/2014	Park	D26/28
D780,965 S *	3/2017	Binder	D26/28
D780,966 S *	3/2017	Binder	D26/28
D851,295 S *	6/2019	Whang	D26/28
D910,891 S *	2/2021	Tseug	D26/28
D917,745 S *	4/2021	Wu	D26/28
D917,746 S *	4/2021	Wu	D26/28
D919,137 S *	5/2021	Loisch	D26/28
D951,501 S *	5/2022	Hirai	D26/28
D952,918 S *	5/2022	Jegal	D26/28

(72) Inventors: **Deuk-Heon Kang**, Hwasung-shi (KR);
Hyo-Sung Lee, Seoul (KR)

(**) Term: **15 Years**

(21) Appl. No.: **35/512,634**

(22) Filed: **May 31, 2021**

* cited by examiner

(80) **Hague Agreement Data**

Int. Filing Date: **May 31, 2021**

Int. Reg. No.: **DM/216289**

Int. Reg. Date: **May 31, 2021**

Int. Reg. Pub. Date: **Sep. 24, 2021**

Primary Examiner — Angela J Lee

(57) **CLAIM**

The ornamental design for a head lamp for automobile, as shown and described.

(30) **Foreign Application Priority Data**

Jan. 28, 2021 (KR) 30-2021-0004713

(51) **LOC (14) Cl.** **26-06**

(52) **U.S. Cl.**
USPC **D26/28**

(58) **Field of Classification Search**

USPC D26/28, 29, 30, 31, 32, 33, 34, 35, 36

CPC F21W 2103/35; F21W 2103/40; F21W
2102/17; F21W 2102/30; F21W 2103/00;

F21W 2103/55; F21W 2104/00; F21W
2107/17; F21W 2107/13; F21S 41/00;

F21S 41/141; F21S 41/162; F21S 41/18;

F21S 41/20; F21S 41/33; F21S 41/36;

F21S 41/60; F21S 43/00; F21V 21/04

See application file for complete search history.

DESCRIPTION

1. Head lamp for automobile

1.1 : Perspective

1.2 : Front

1.3 : Back

1.4 : Left

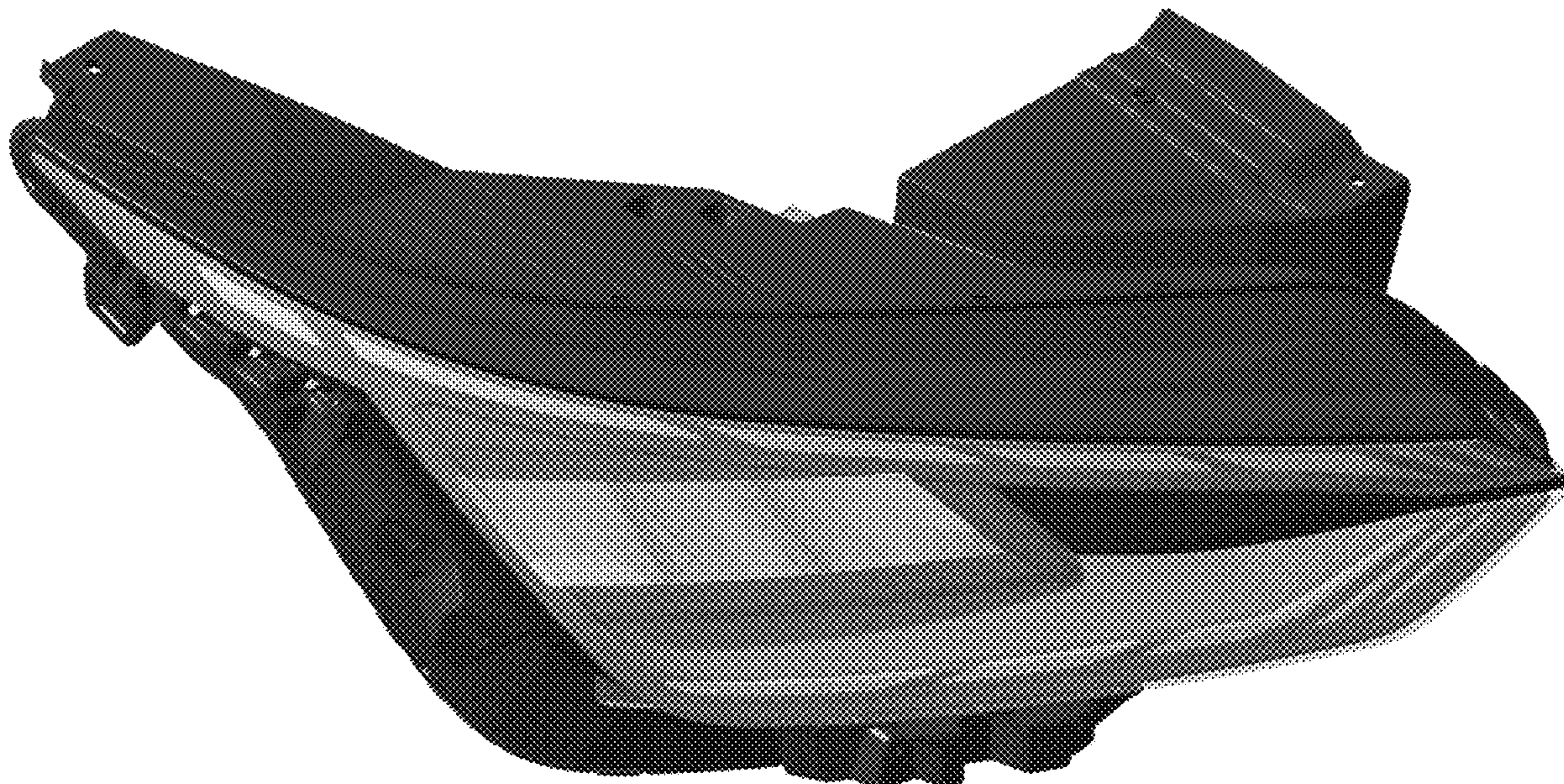
1.5 : Right

1.6 : Top

1.7 : Bottom

1.1 is a perspective view of a head lamp for automobile showing our new design; 1.2 is a front elevation view thereof; 1.3 is a rear elevation view thereof; 1.4 is a left side elevation view thereof; 1.5 is a right side elevation view thereof; 1.6 is a top plan view thereof; 1.7 is a bottom plan view thereof.

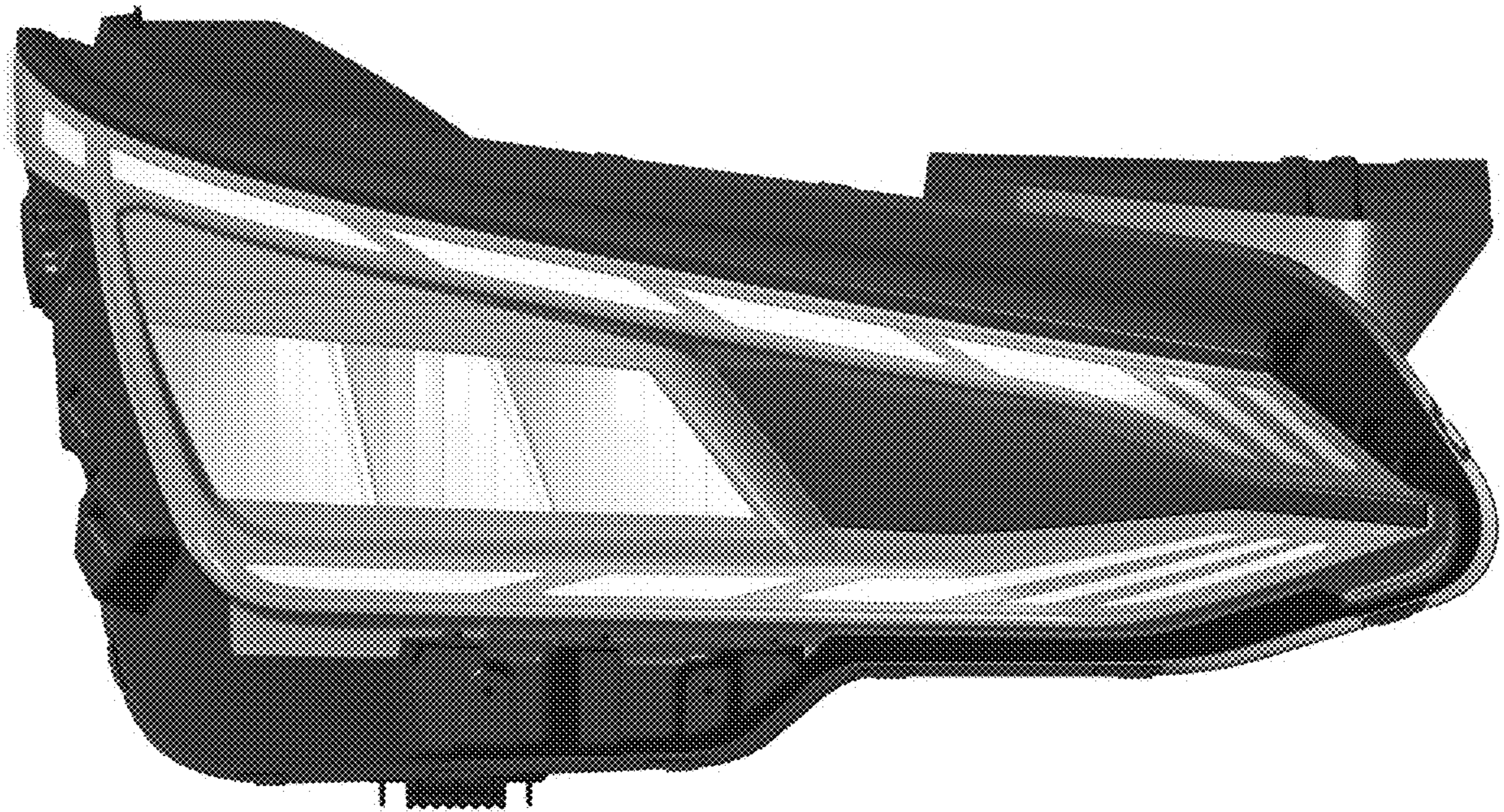
1 Claim, 7 Drawing Sheets



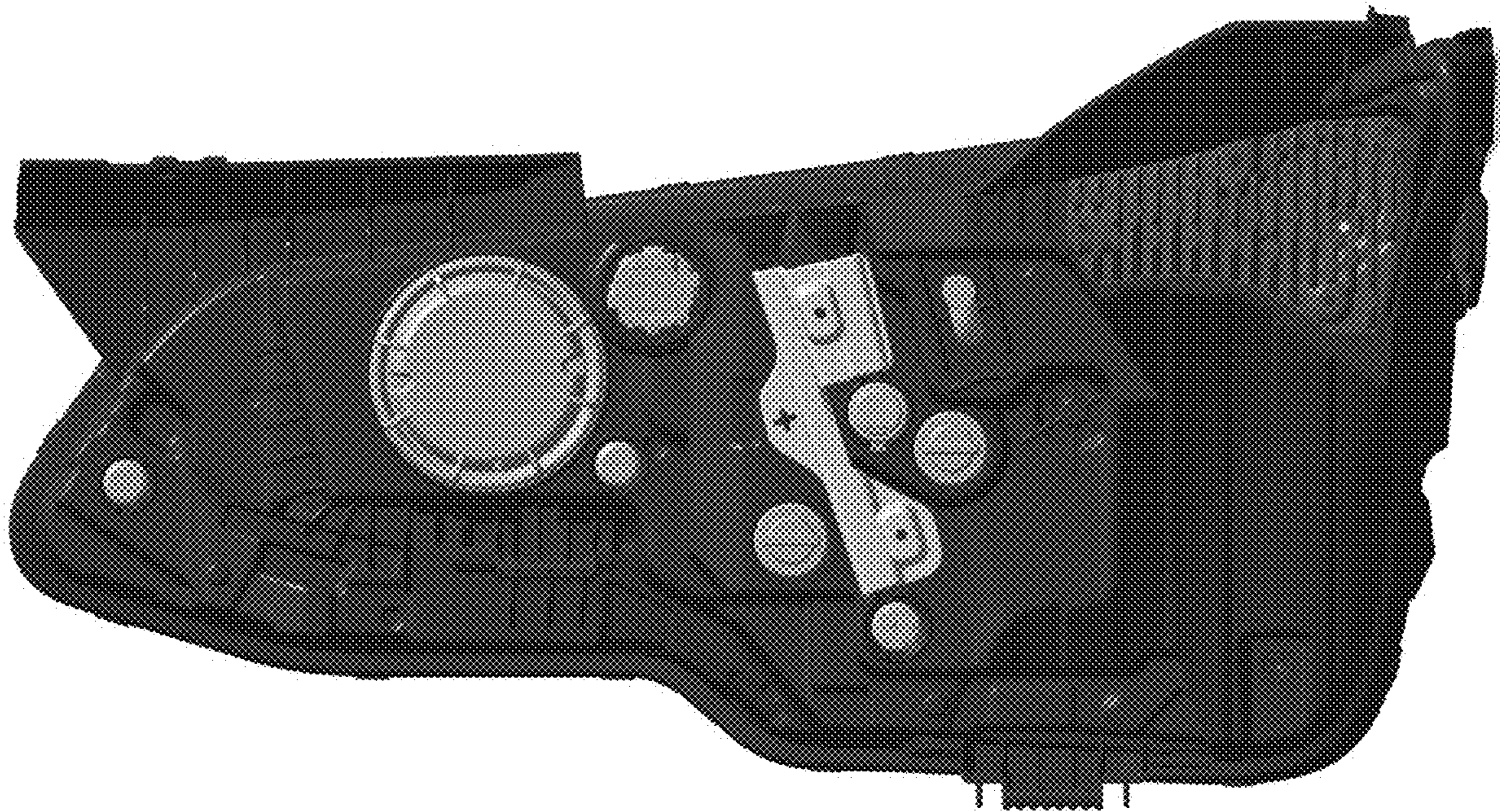
1.1



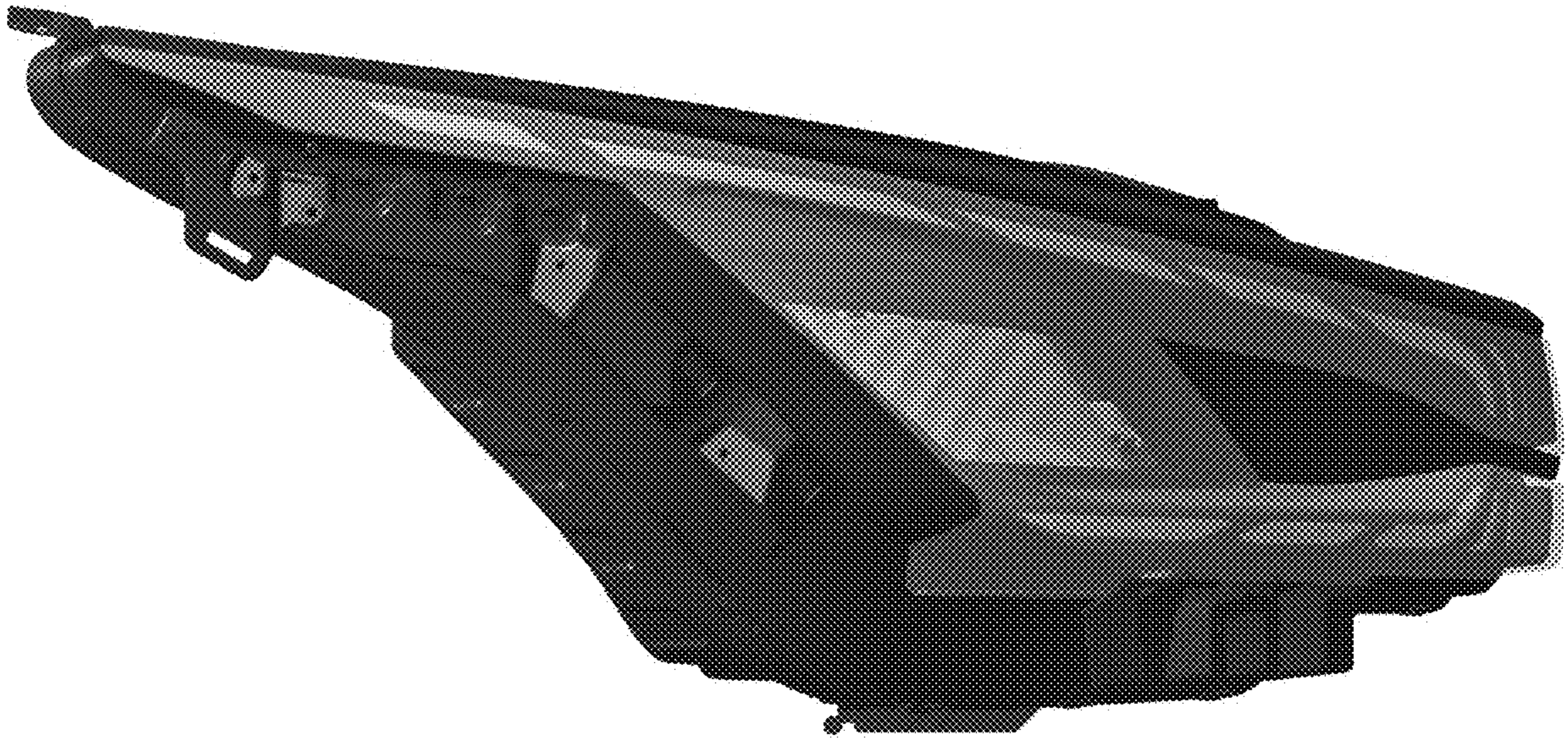
1.2



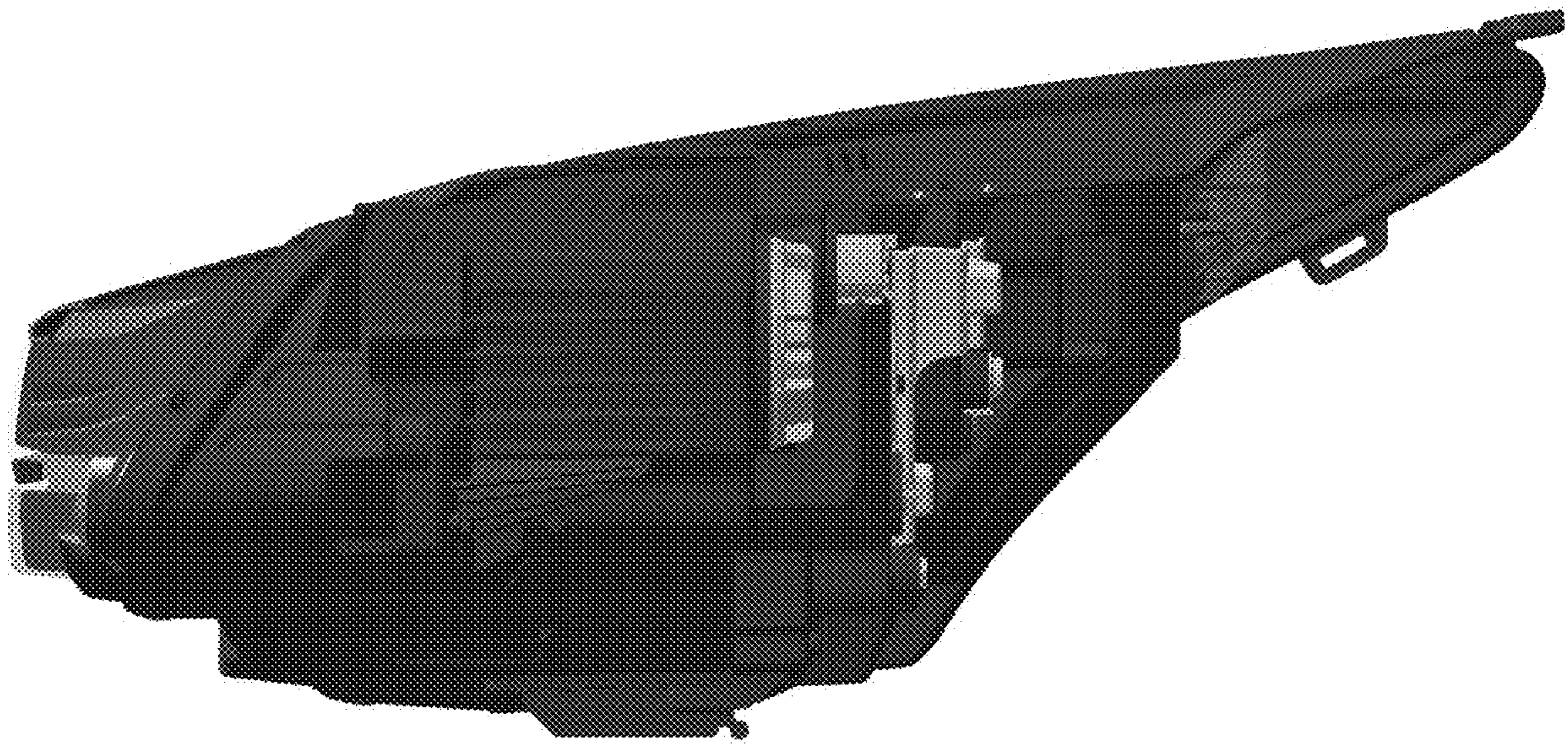
1.3



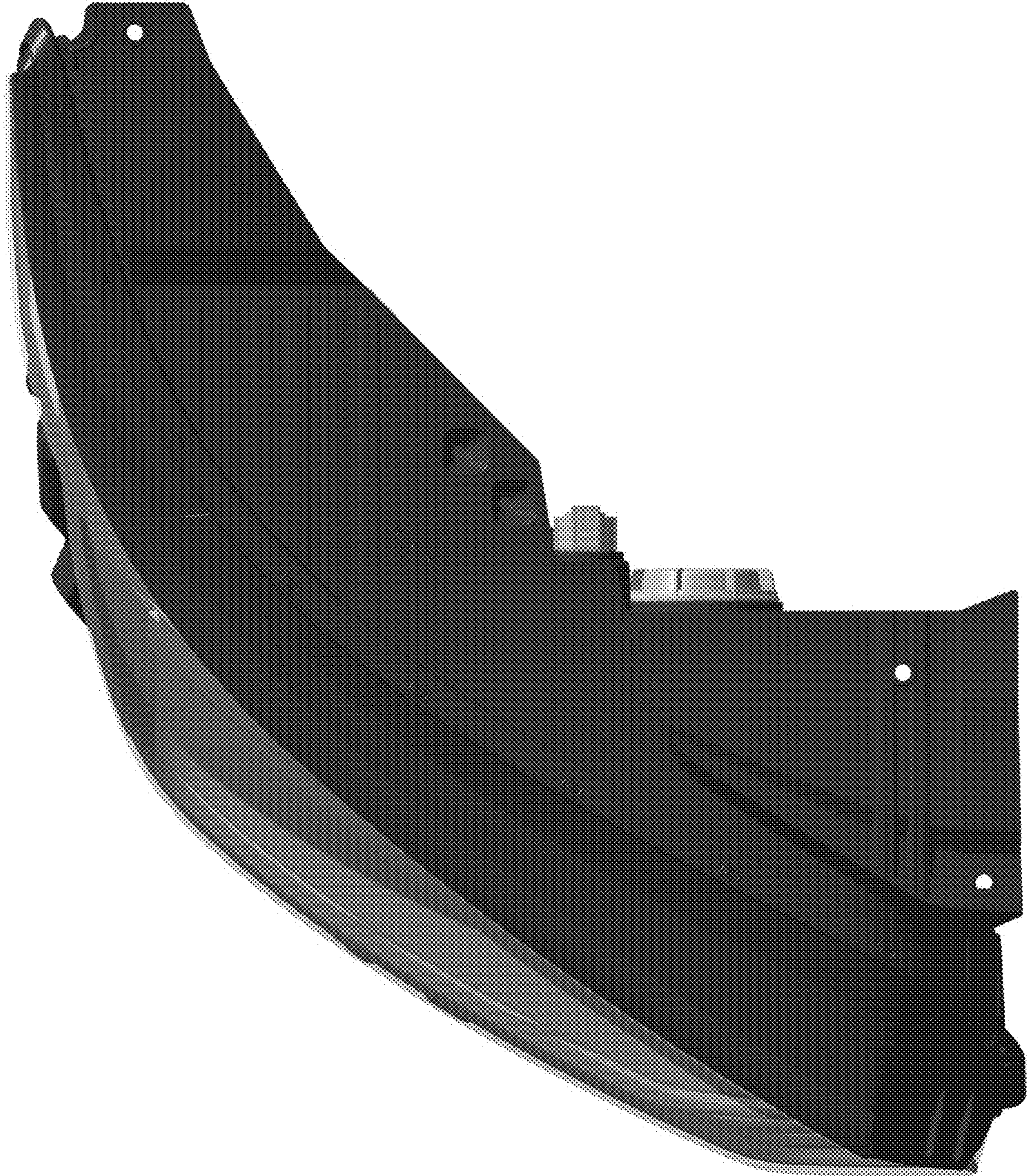
1.4



1.5



1.6



1.7

