



US00D975323S

(12) **United States Design Patent** (10) **Patent No.:** **US D975,323 S**
Choo et al. (45) **Date of Patent:** **** Jan. 10, 2023**

(54) **HEAD LAMP FOR AN AUTOMOBILE**

F21S 41/20; F21S 41/33; F21S 41/36;
F21S 41/60; F21S 43/00; F21V 21/04

(71) Applicants: **Hyundai Motor Company**, Seoul (KR); **Kia Motors Corporation**, Seoul (KR)

See application file for complete search history.

(72) Inventors: **Dong Hoon Choo**, Seoul (KR); **Kwang Duck Han**, Seoul (KR)

(56) **References Cited**

U.S. PATENT DOCUMENTS

(73) Assignees: **Hyundai Motor Company**, Seoul (KR); **Kia Corporation**, Seoul (KR)

D582,588	S	*	12/2008	Yang	D26/28
D749,761	S	*	2/2016	Sa	D26/28
D822,242	S	*	7/2018	Lee	D26/28
D831,866	S	*	10/2018	Lin	D26/28
D870,327	S	*	12/2019	Hill	D26/28
D889,697	S	*	7/2020	Tovey	D26/28
D897,573	S	*	9/2020	Patel	D26/28
D909,642	S	*	2/2021	Chen	D26/28
D913,542	S	*	3/2021	Thomas	D26/28
D913,547	S	*	3/2021	Thomas	D26/28
D922,626	S	*	6/2021	Yeh	D26/28
D950,785	S	*	5/2022	Datta	D26/28
D954,305	S	*	6/2022	Lin	D26/28

(**) Term: **15 Years**

(21) Appl. No.: **35/512,562**

(22) Filed: **Mar. 16, 2021**

(80) **Hague Agreement Data**

Int. Filing Date: **Mar. 16, 2021**

Int. Reg. No.: **DM/213409**

Int. Reg. Date: **Mar. 16, 2021**

Int. Reg. Pub. Date: **Sep. 17, 2021**

* cited by examiner

Primary Examiner — Angela J Lee

(74) *Attorney, Agent, or Firm* — Fox Rothschild LLP

(30) **Foreign Application Priority Data**

Jan. 12, 2021 (KR) 30-2021-0001592

(51) **LOC (14) Cl.** **26-06**

(52) **U.S. Cl.**
USPC **D26/28**

(58) **Field of Classification Search**
USPC D26/28, 29, 30, 31, 32, 33, 34, 35, 36
CPC F21W 2103/35; F21W 2103/40; F21W 2102/17; F21W 2102/30; F21W 2103/00; F21W 2103/55; F21W 2104/00; F21W 2107/17; F21W 2107/13; F21S 41/00; F21S 41/141; F21S 41/162; F21S 41/18;

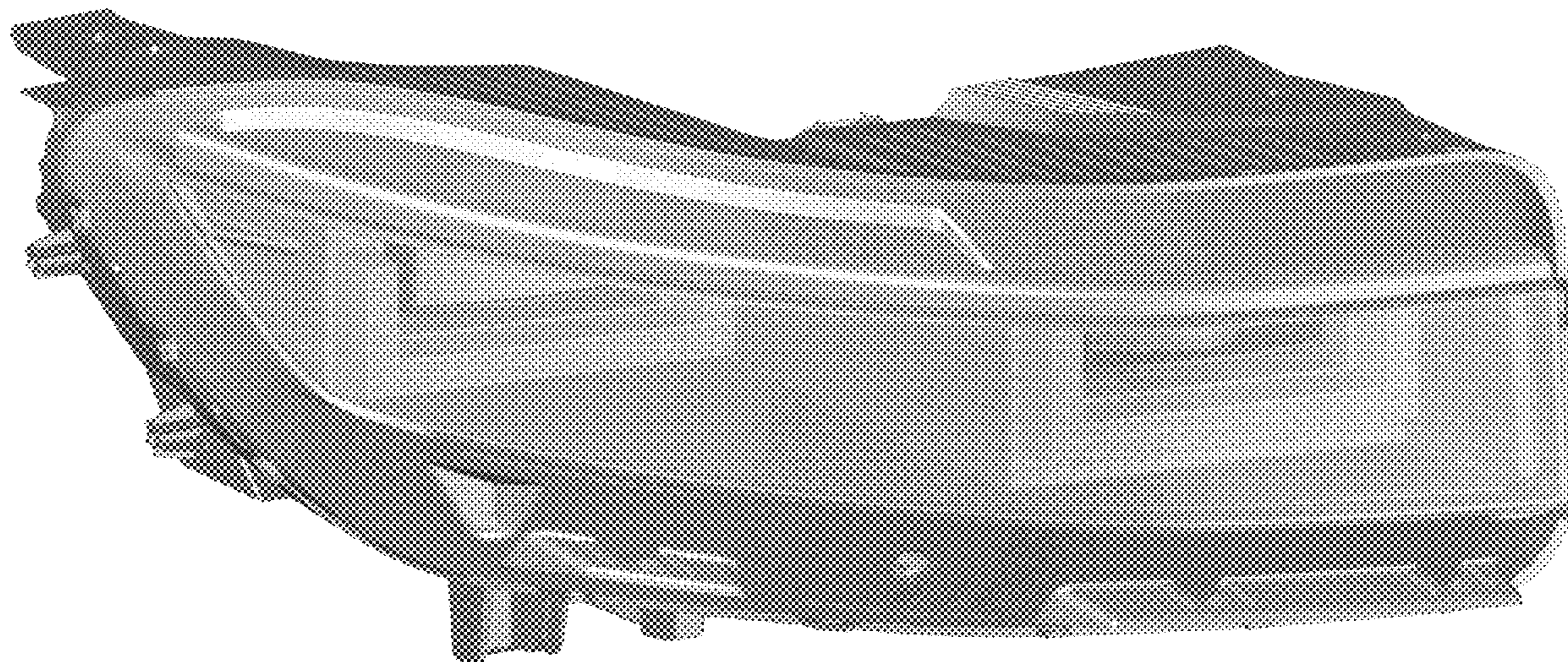
(57) **CLAIM**

The ornamental design for a head lamp for an automobile, as shown and described.

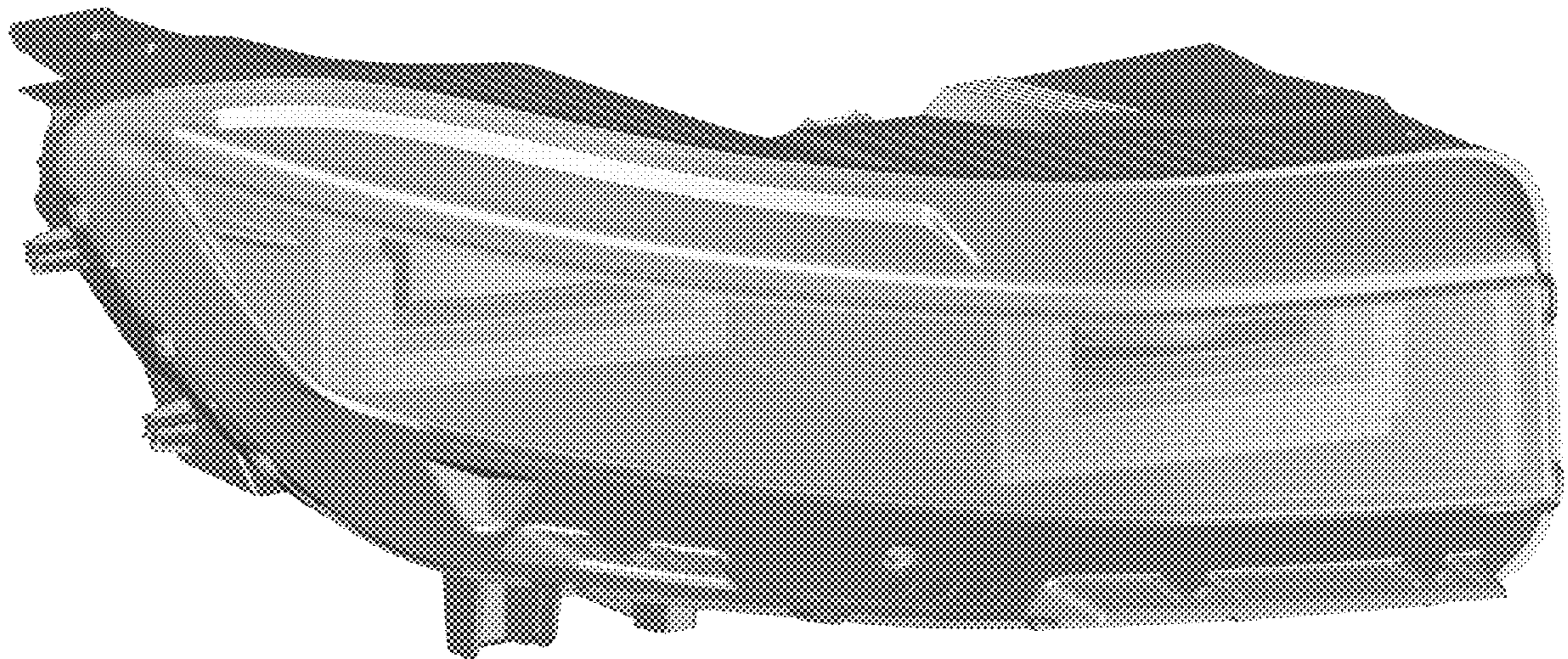
DESCRIPTION

- 1. Head lamp for an automobile
- 1.1 : Perspective
- 1.2 : Front
- 1.3 : Back
- 1.4 : Left
- 1.5 : Right
- 1.6 : Top
- 1.7 : Bottom

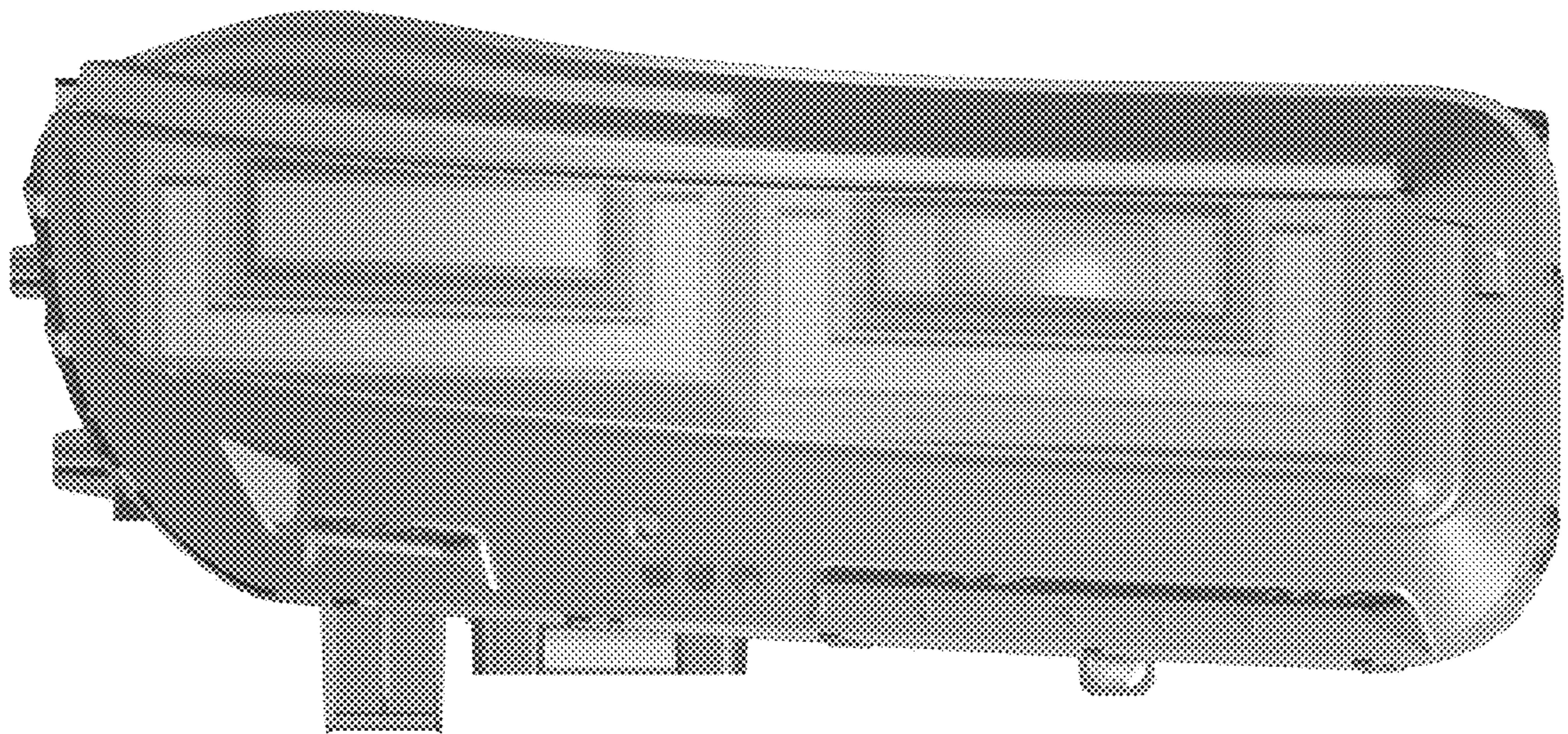
1 Claim, 7 Drawing Sheets



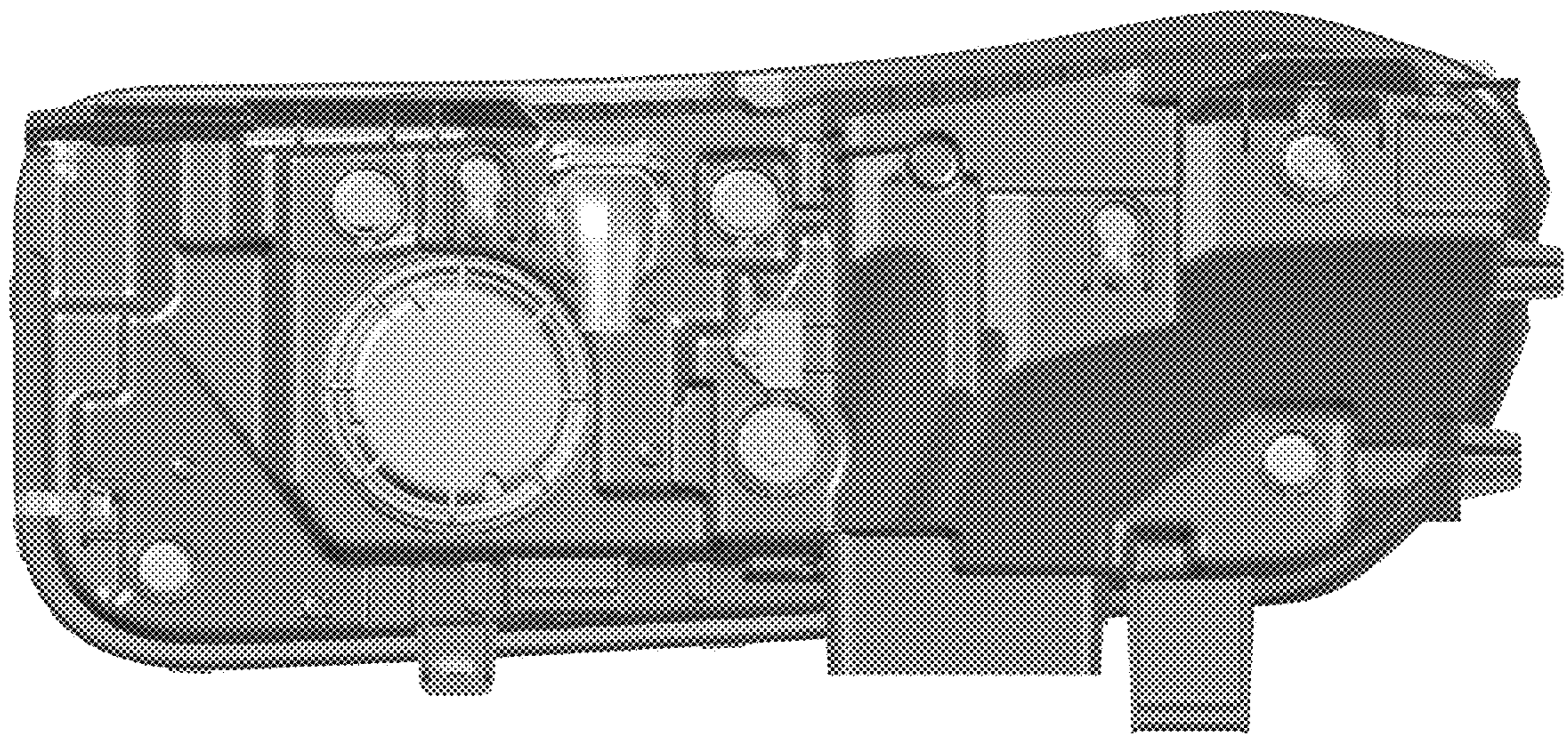
1.1



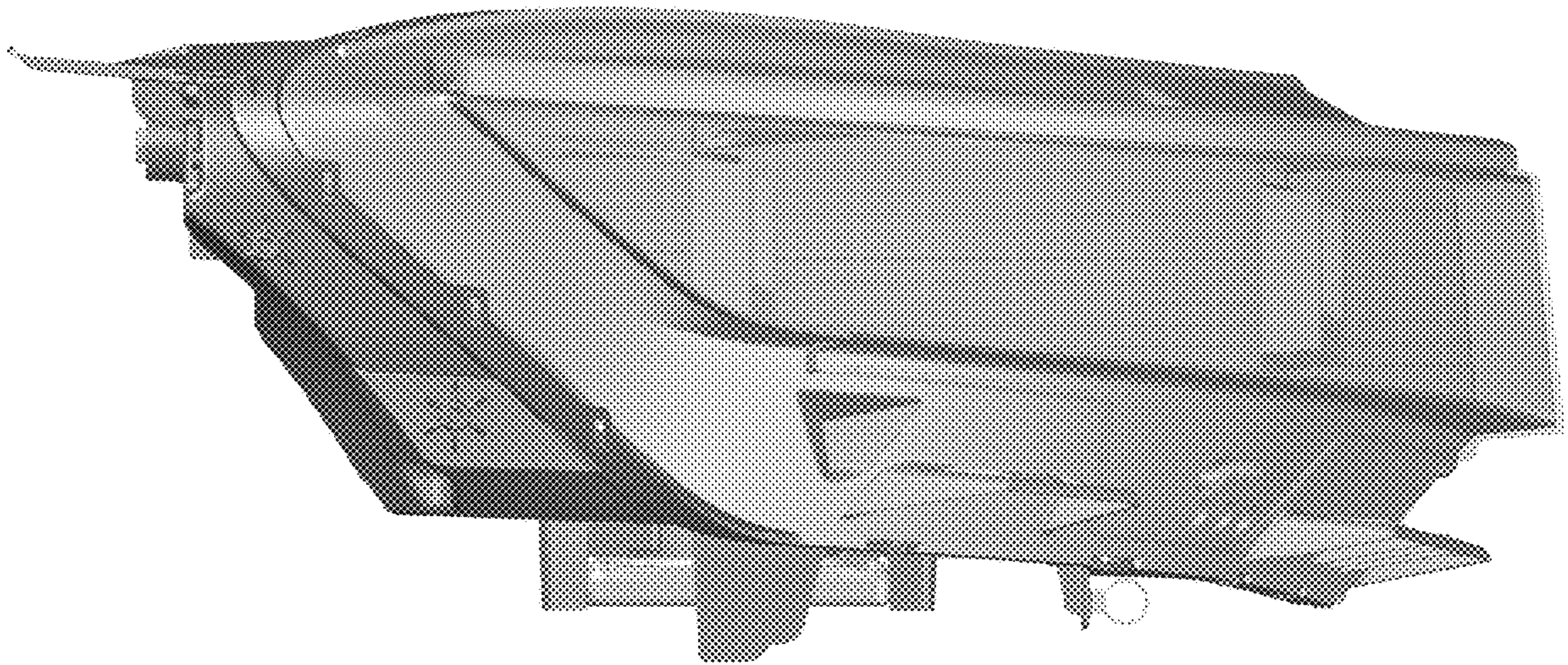
1.2



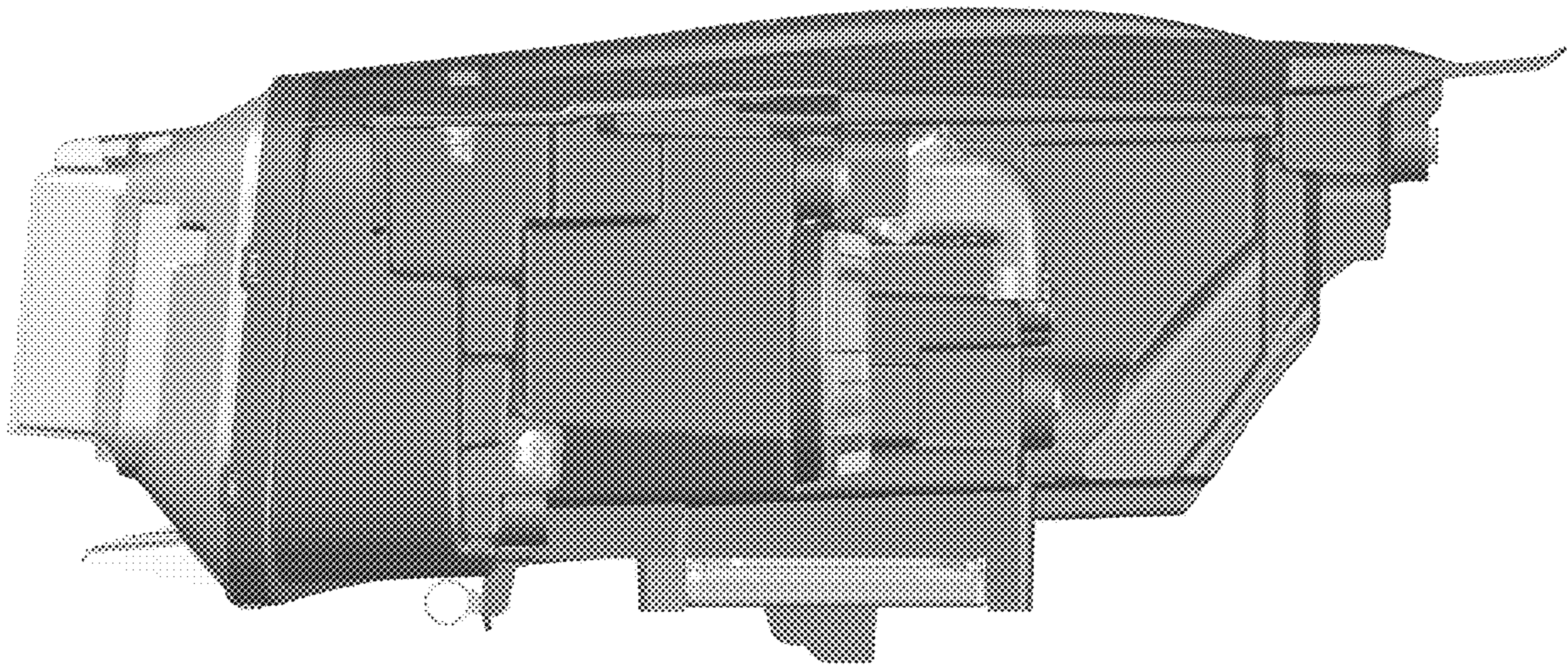
1.3



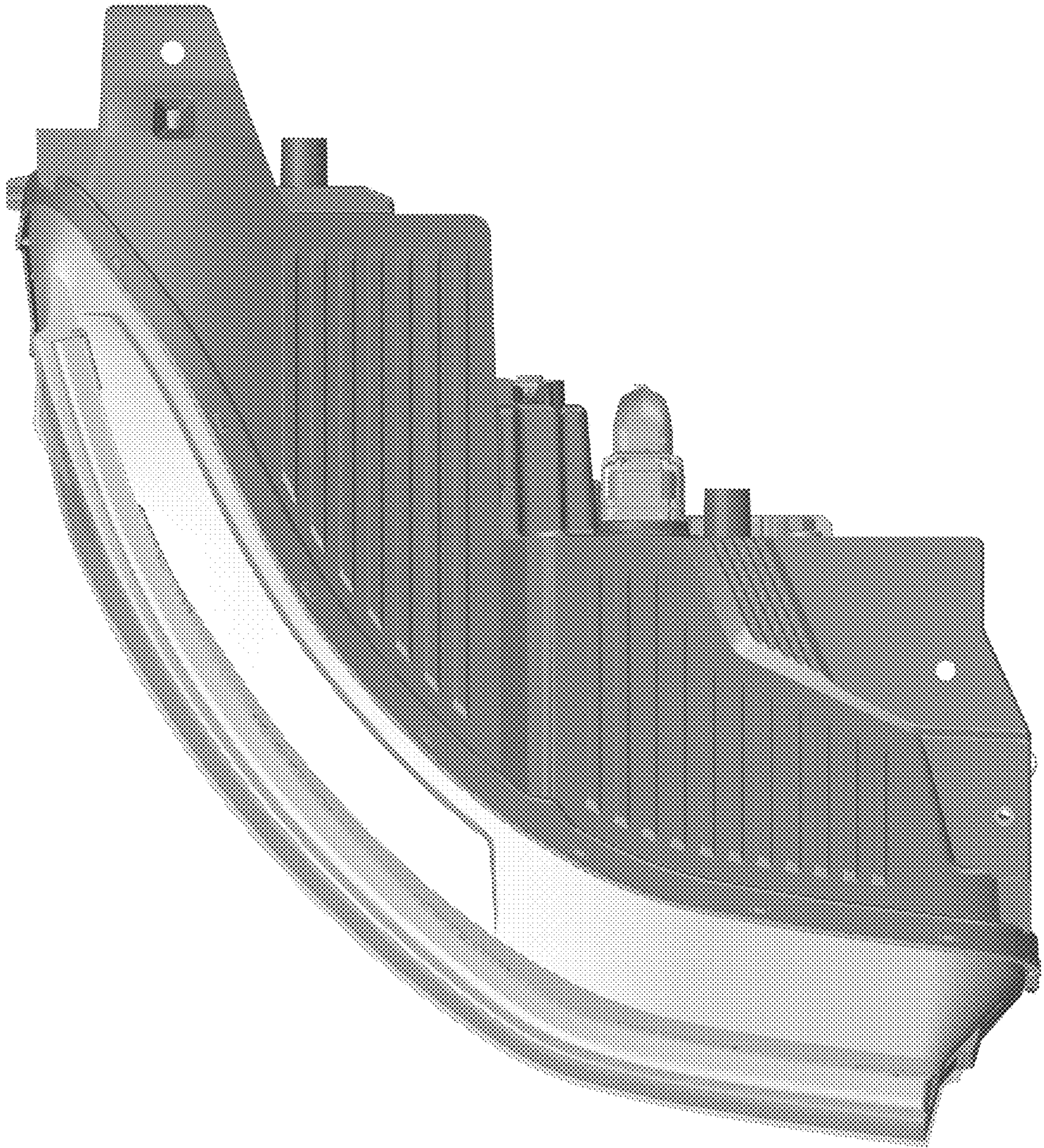
1.4



1.5



1.6



1.7

