



US00D975322S

(12) **United States Design Patent** (10) **Patent No.:** **US D975,322 S**
Huang (45) **Date of Patent:** **** Jan. 10, 2023**

(54) **HEADLIGHT**
 (71) Applicant: **Xingjie Huang**, Shenzhen (CN)
 (72) Inventor: **Xingjie Huang**, Shenzhen (CN)
 (**) Term: **15 Years**
 (21) Appl. No.: **29/857,682**
 (22) Filed: **Oct. 25, 2022**
 (51) **LOC (14) Cl.** **26-06**
 (52) **U.S. Cl.**
 USPC **D26/28**
 (58) **Field of Classification Search**
 USPC D26/2, 4, 26, 28, 36, 37, 60, 67, 72
 CPC F21S 41/337; F21S 41/28; F21S 41/255;
 F21V 13/04; F21V 19/04
 See application file for complete search history.

D570,009 S * 5/2008 Kani D26/28
 D688,400 S * 8/2013 Haumann
 D723,604 S * 3/2015 Mohan D16/203
 D745,587 S * 12/2015 Leung D26/2
 D750,147 S * 2/2016 Muller D16/203
 D794,106 S * 8/2017 Wang D16/203
 D918,913 S * 5/2021 Xu D14/420
 2008/0265668 A1 * 10/2008 Kitamura B62M 9/132
 280/200

* cited by examiner

Primary Examiner — Cary M Robinson
Assistant Examiner — Julie Marie Bailey

(57) **CLAIM**

The ornamental design for a headlight, as shown and described.

DESCRIPTION

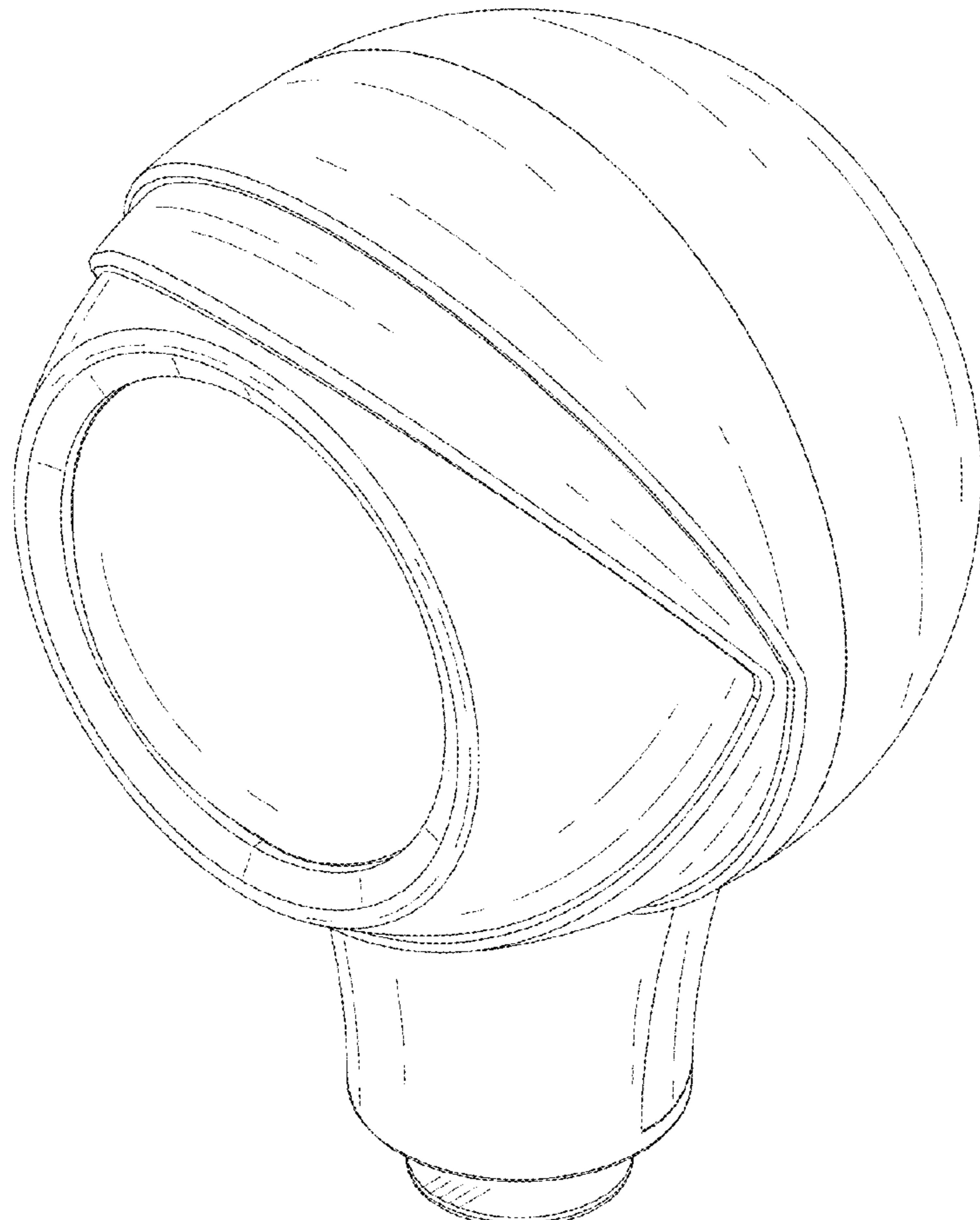
FIG. 1 is a front perspective view of a headlight, showing my new design;
 FIG. 2 is a front view thereof;
 FIG. 3 is a rear view thereof;
 FIG. 4 is a left side view thereof;
 FIG. 5 is a right side view thereof;
 FIG. 6 is a top view thereof; and,
 FIG. 7 is a bottom view thereof.

1 Claim, 7 Drawing Sheets

(56) **References Cited**

U.S. PATENT DOCUMENTS

D128,967 S * 8/1941 Peterson D26/29
 D224,233 S * 7/1972 Fujita D6/309
 D490,172 S * 5/2004 Yamamoto B62M 9/132
 D26/28
 D554,279 S * 10/2007 Jeffries D26/28



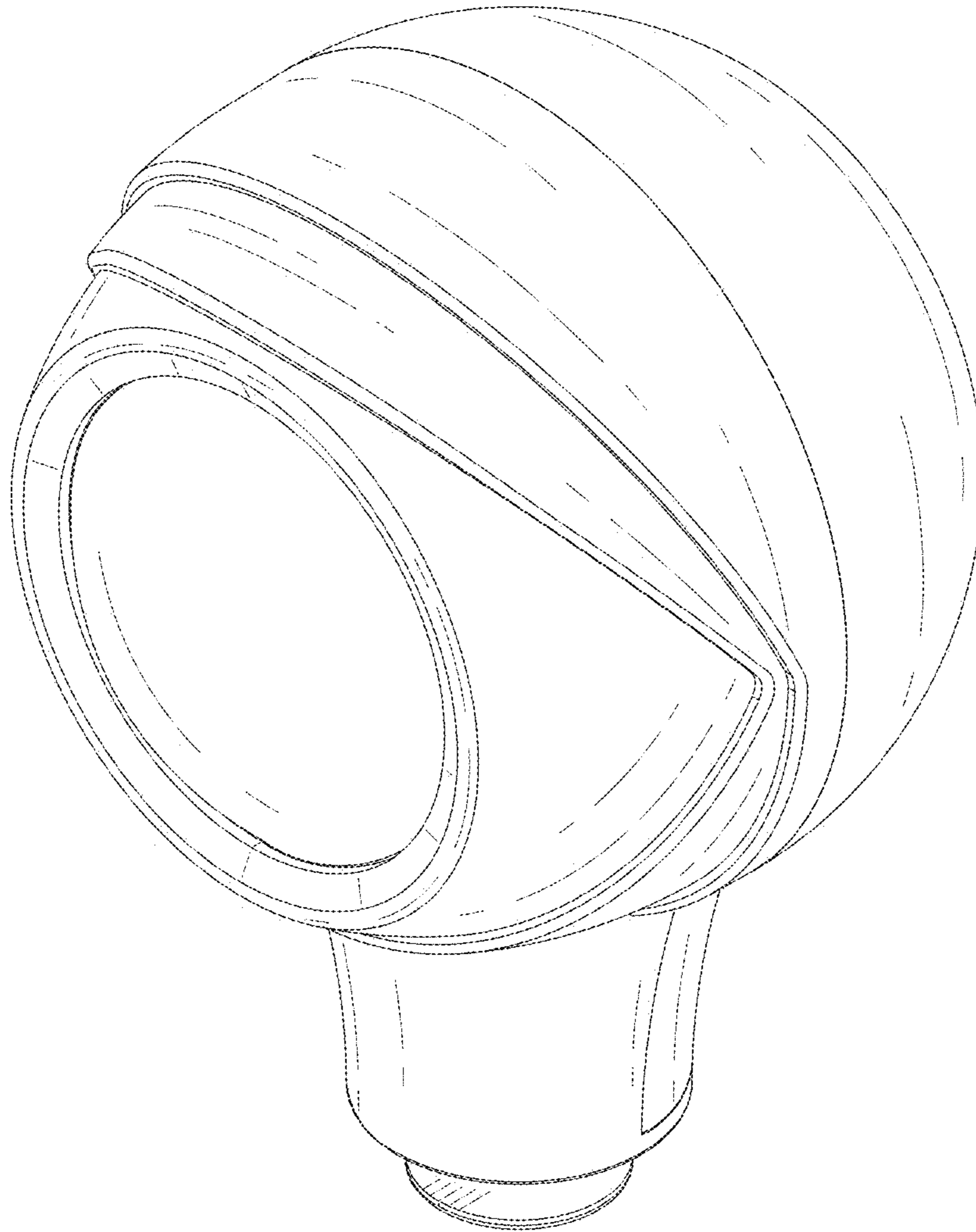


FIG.1

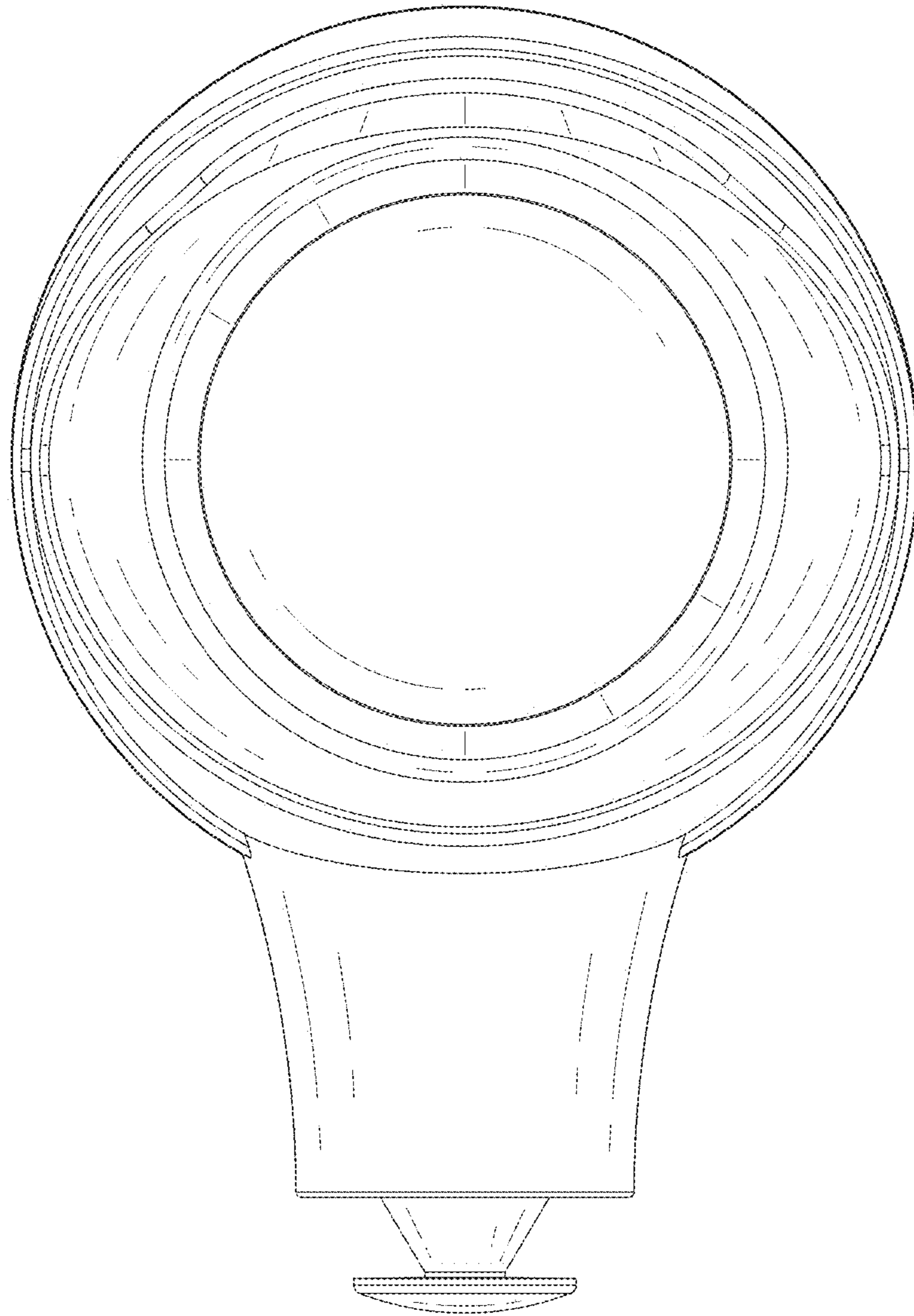


FIG.2

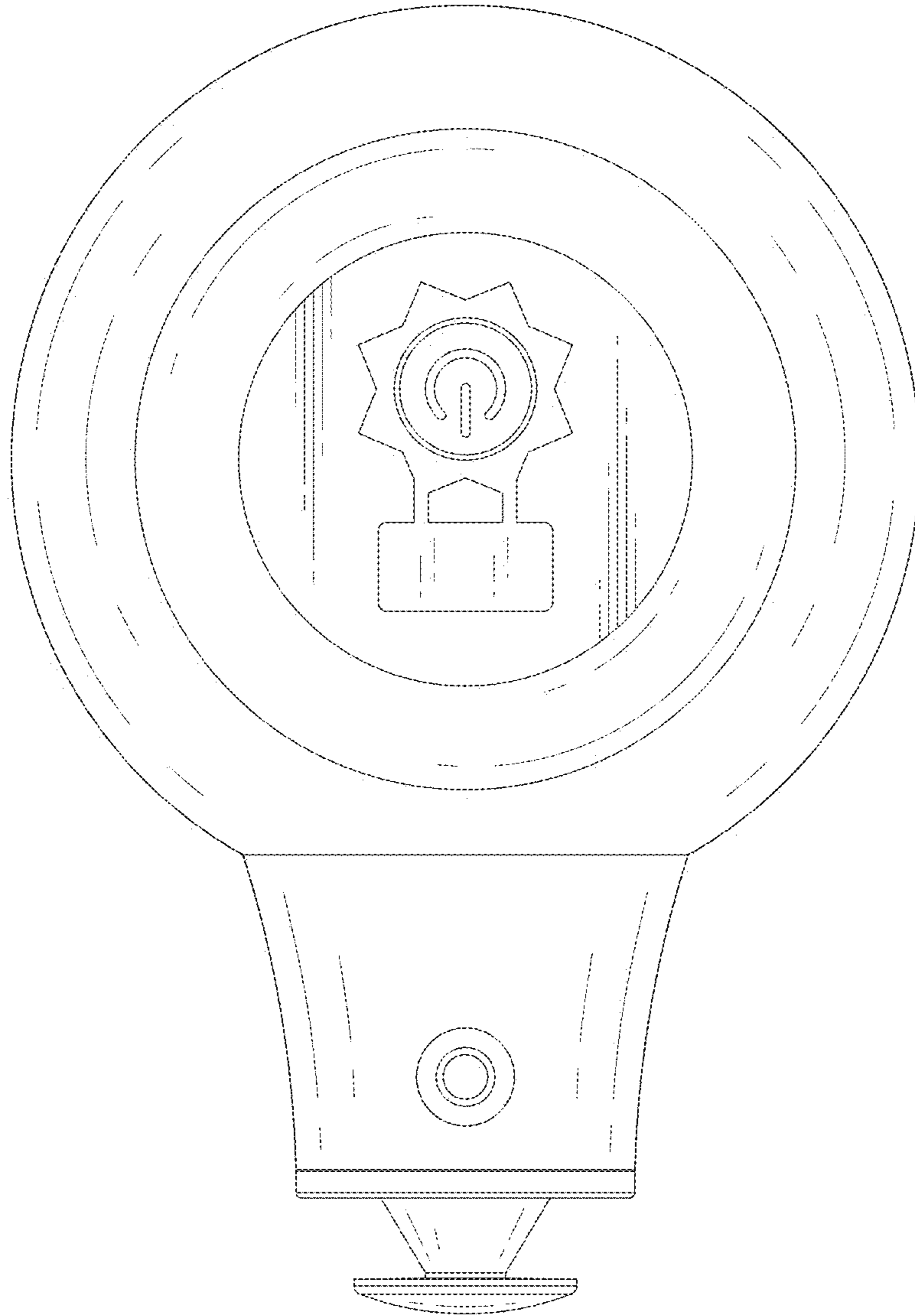


FIG.3

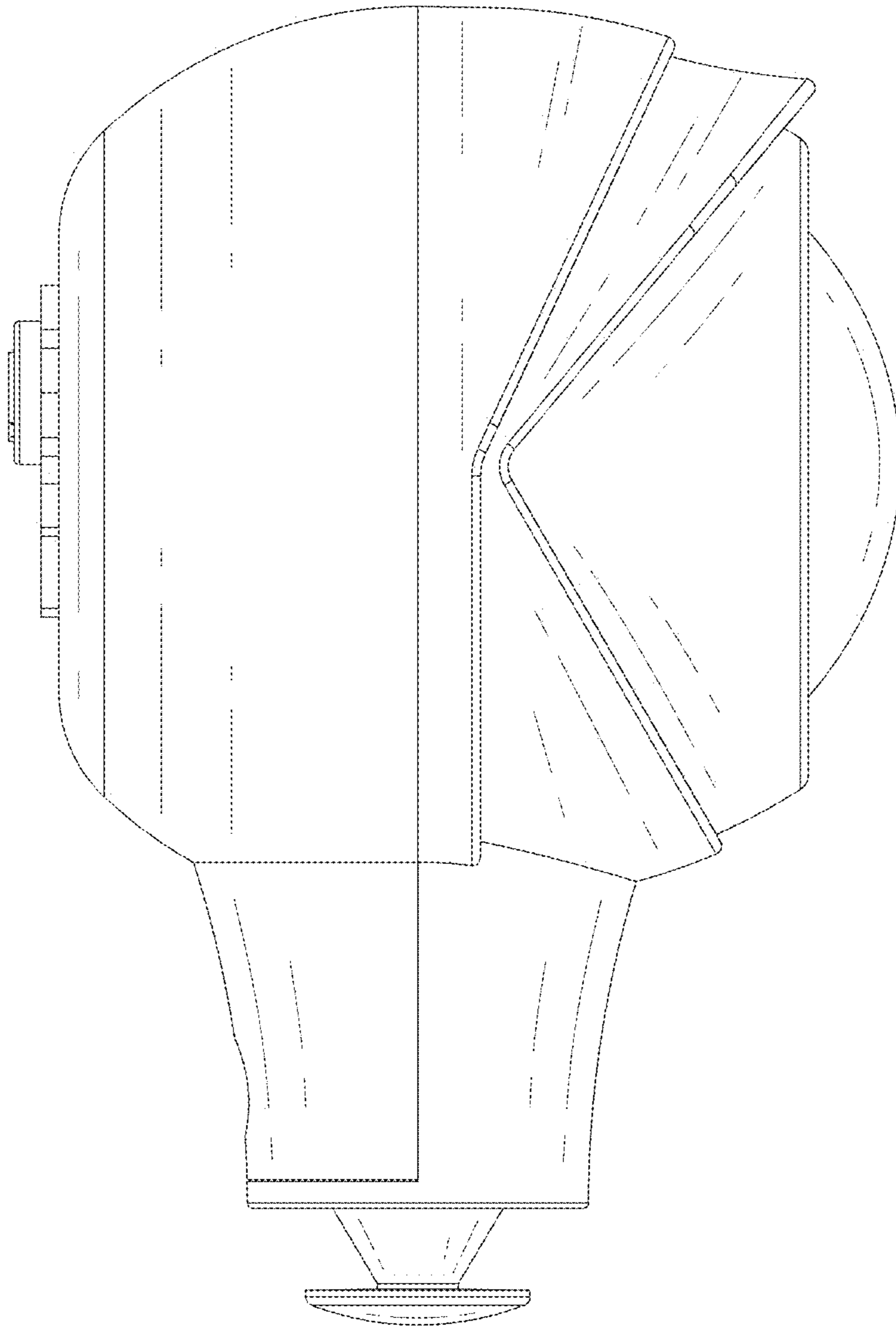


FIG.4

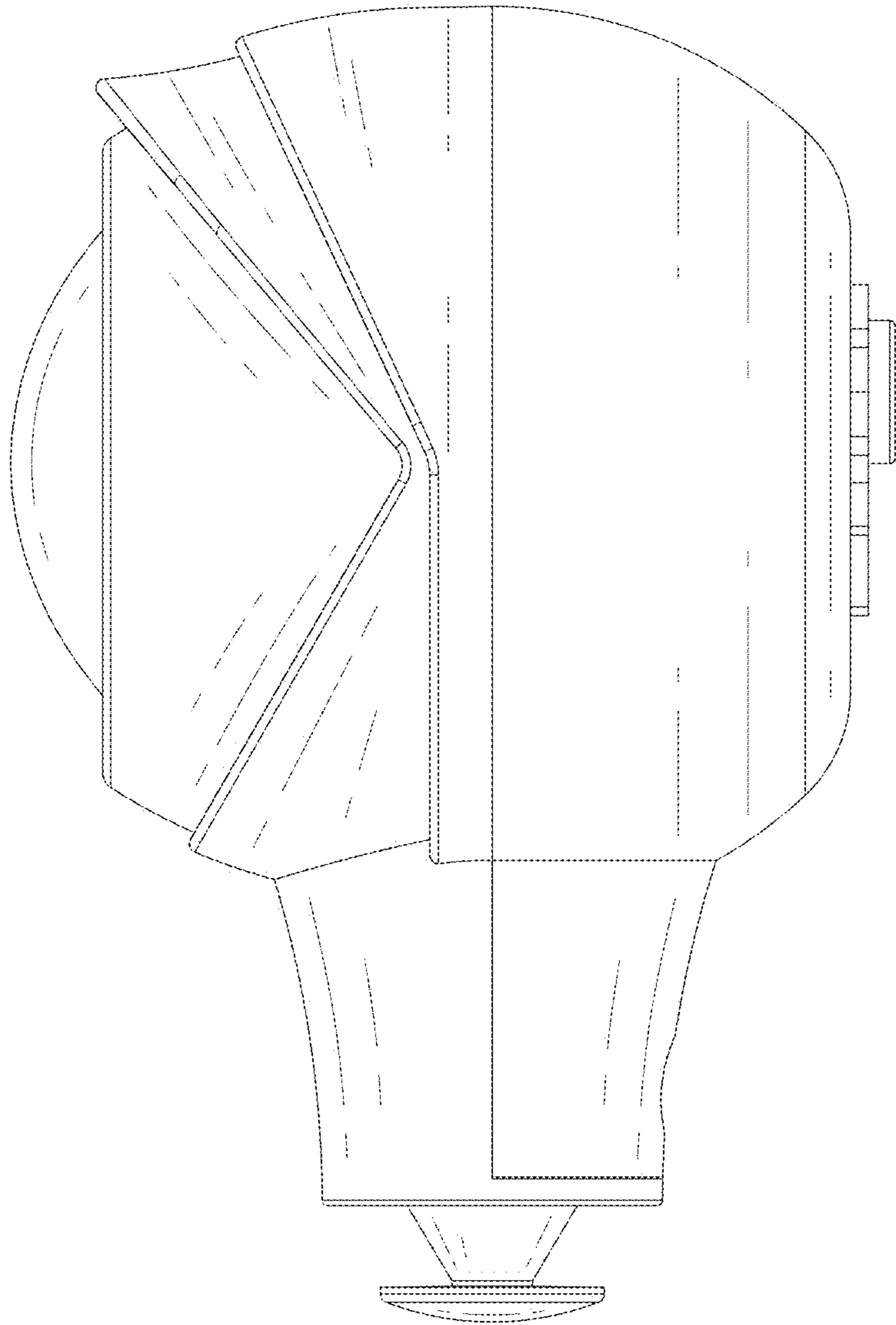


FIG.5

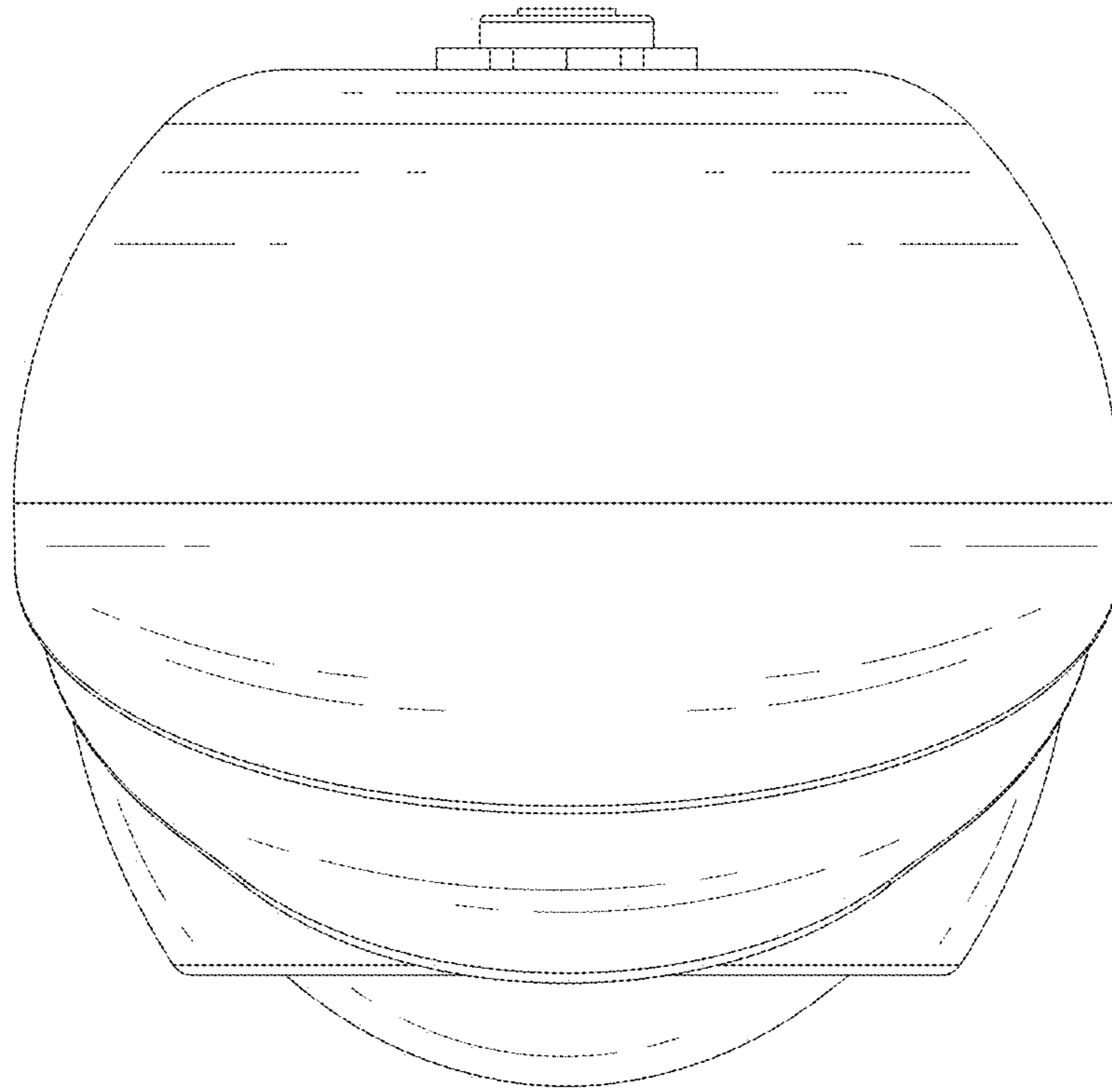


FIG.6

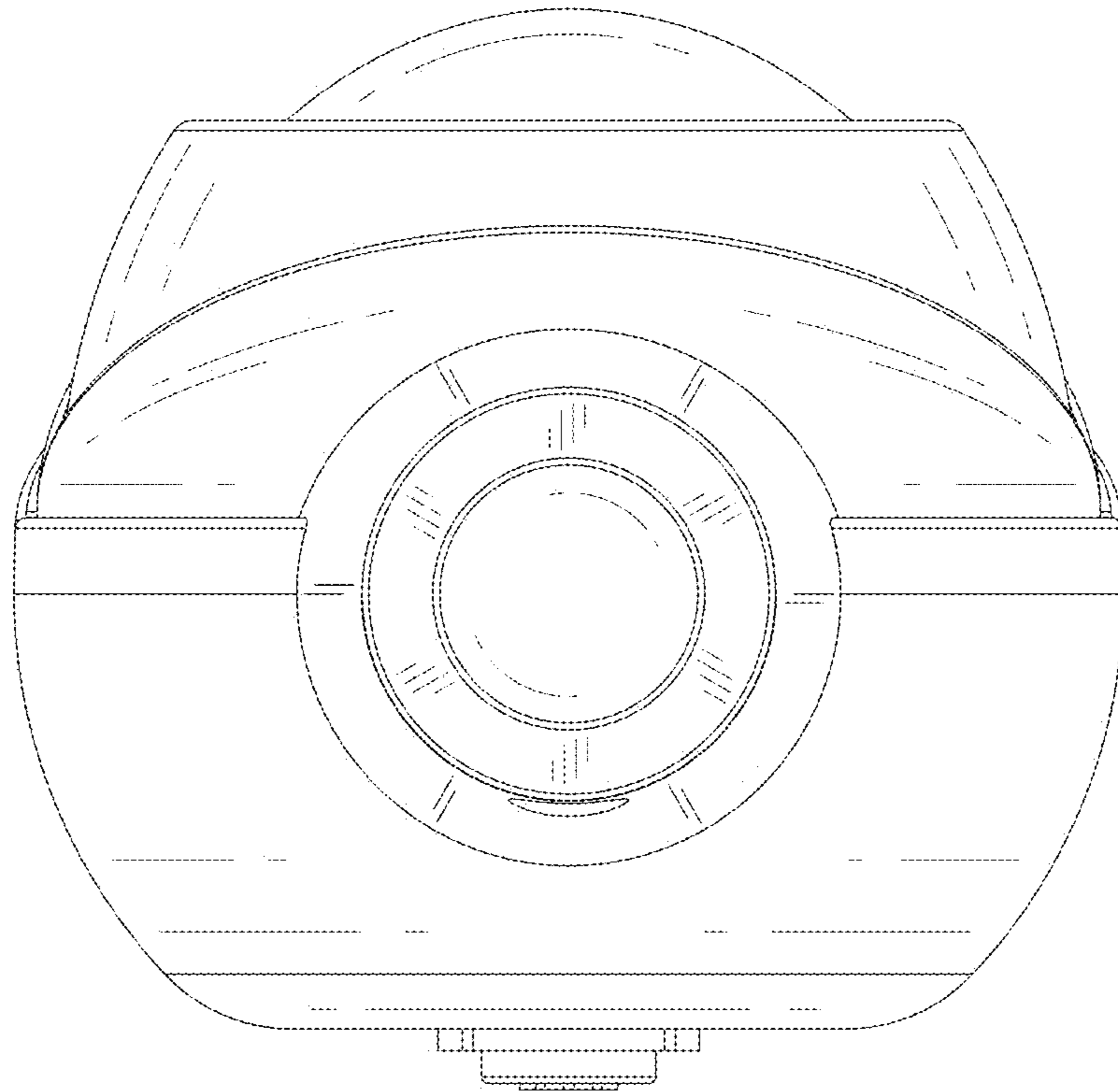


FIG.7