



US00D975317S

(12) **United States Design Patent**
Hu

(10) **Patent No.:** **US D975,317 S**
(45) **Date of Patent:** **** Jan. 10, 2023**

- (54) **LADDER**
- (71) Applicant: **Yongkang EMJ Industrial & Trade Co., Ltd, Jinhua (CN)**
- (72) Inventor: **Huaxing Hu, Jinhua (CN)**
- (73) Assignee: **Yongkang EMJ Industrial & Trade Co., Ltd, Jinhua (CN)**
- (**) Term: **15 Years**
- (21) Appl. No.: **29/854,329**
- (22) Filed: **Sep. 23, 2022**
- (51) **LOC (14) Cl.** **25-04**
- (52) **U.S. Cl.**
USPC **D25/64**
- (58) **Field of Classification Search**
USPC D25/64
CPC ... E06C 1/12; E06C 1/125; E06C 1/22; E06C 1/30
See application file for complete search history.

5,645,140 A * 7/1997 Mouneimneh E06C 1/125
182/195
D799,063 S * 10/2017 Yin D25/64
D903,905 S 12/2020 Leng

* cited by examiner

Primary Examiner — Doris Clark
(74) *Attorney, Agent, or Firm* — Nitin Kaushik

(57) **CLAIM**

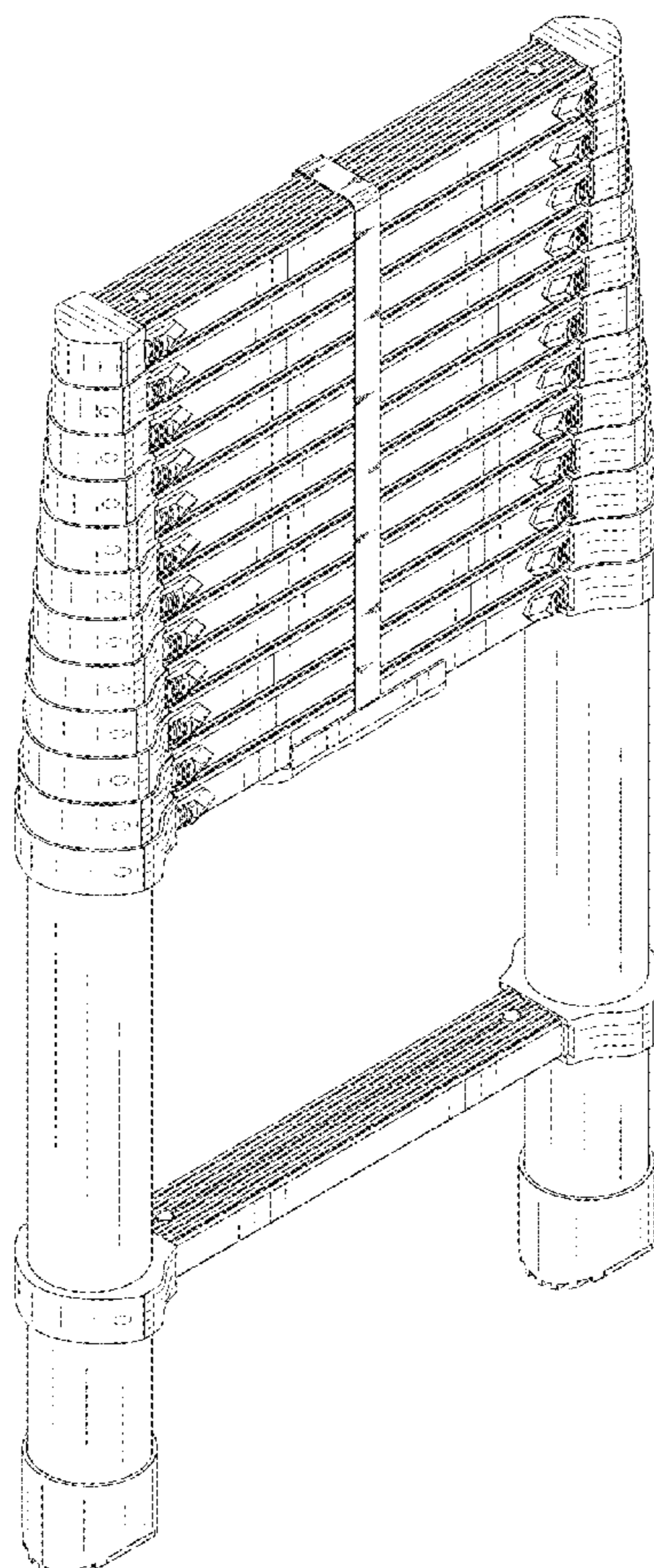
The ornamental design for a ladder, as shown and described.

DESCRIPTION

FIG. 1 is front perspective view of a ladder, showing my new design;
FIG. 2 is a rear perspective view thereof;
FIG. 3 is a front view thereof;
FIG. 4 is a rear view thereof;
FIG. 5 is a left side view thereof;
FIG. 6 is a right side view thereof;
FIG. 7 is a top view thereof;
FIG. 8 is a bottom view thereof; and,
FIG. 9 is its expanded state diagram.
The broken lines in the drawings illustrate the portions of the ladder, which form no part of the claimed design.

1 Claim, 9 Drawing Sheets

- (56) **References Cited**
U.S. PATENT DOCUMENTS
2,827,216 A * 3/1958 Napolitano E06C 1/125
182/180.1
D365,402 S * 12/1995 Jones D25/64



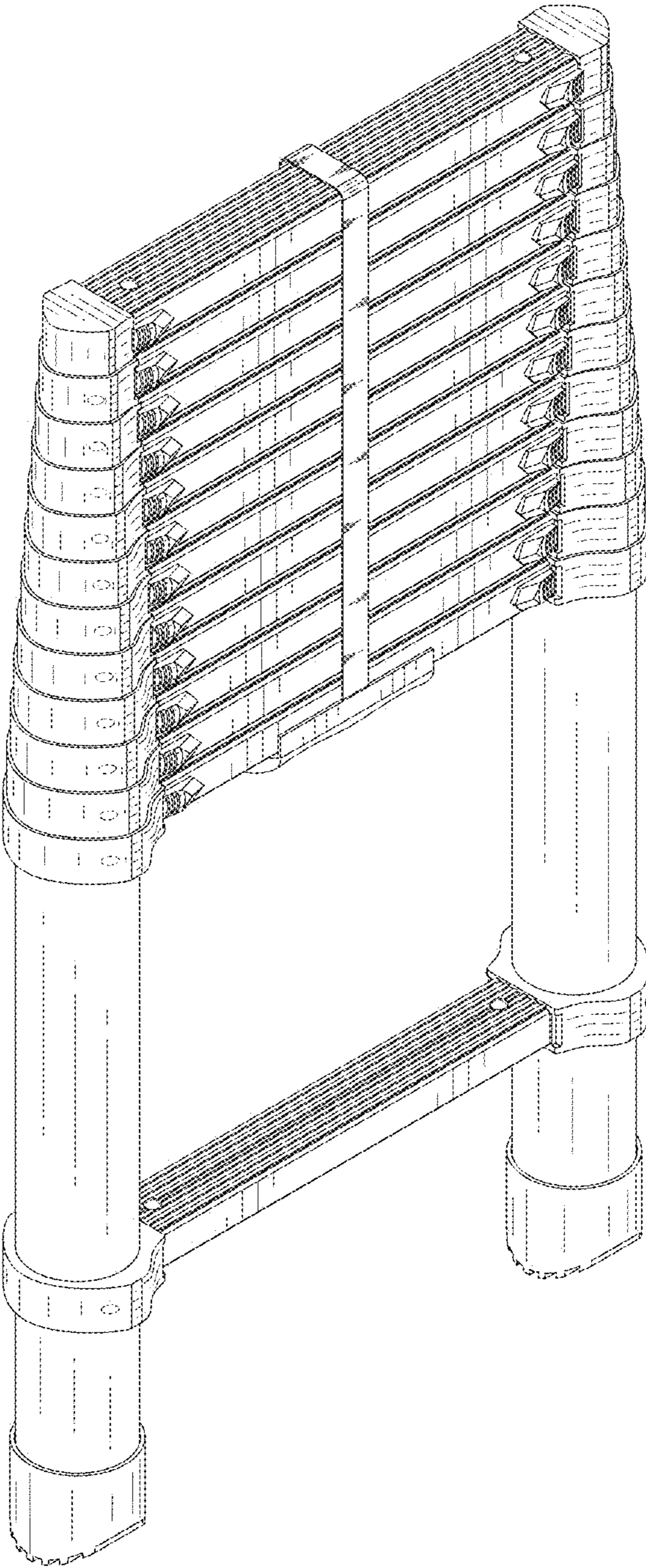


FIG. 1

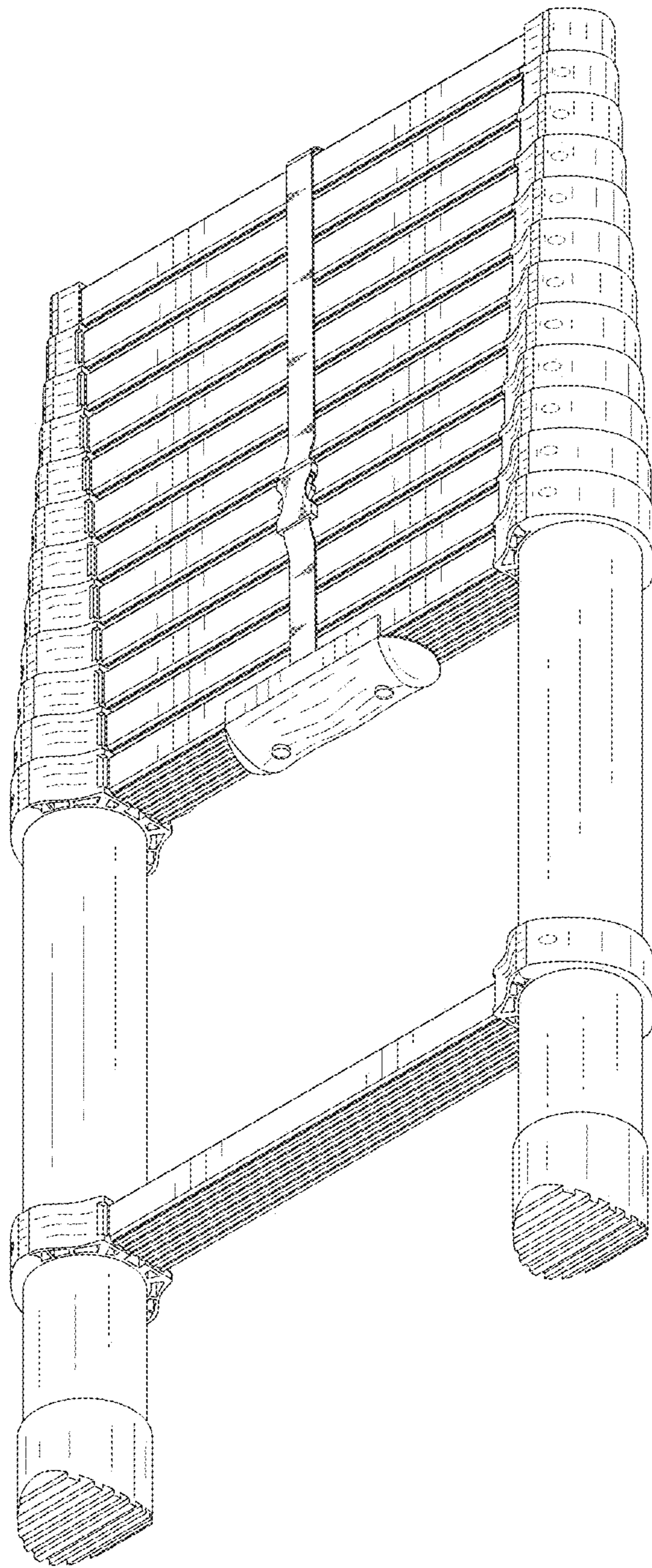


FIG. 2

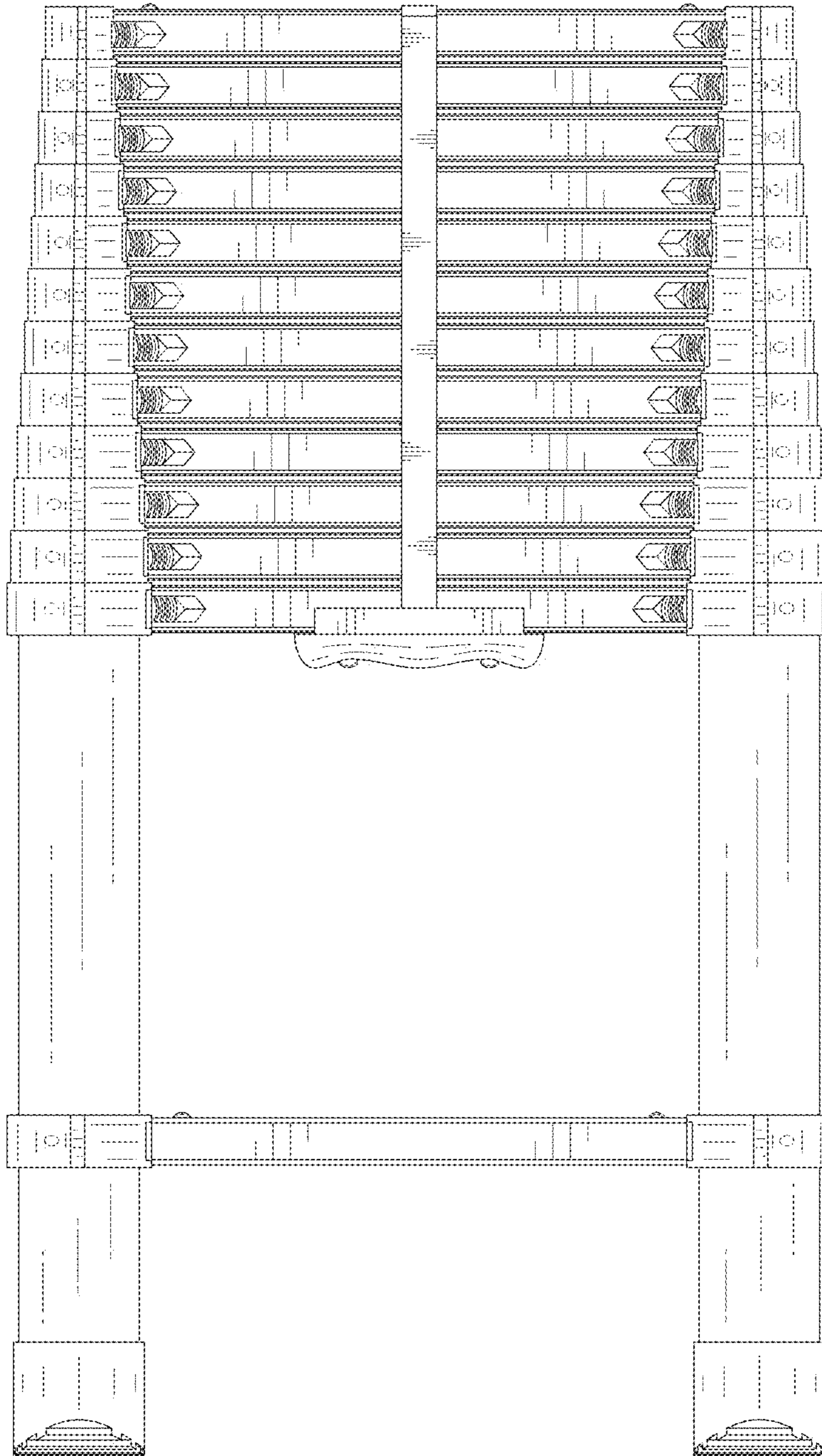


FIG. 3

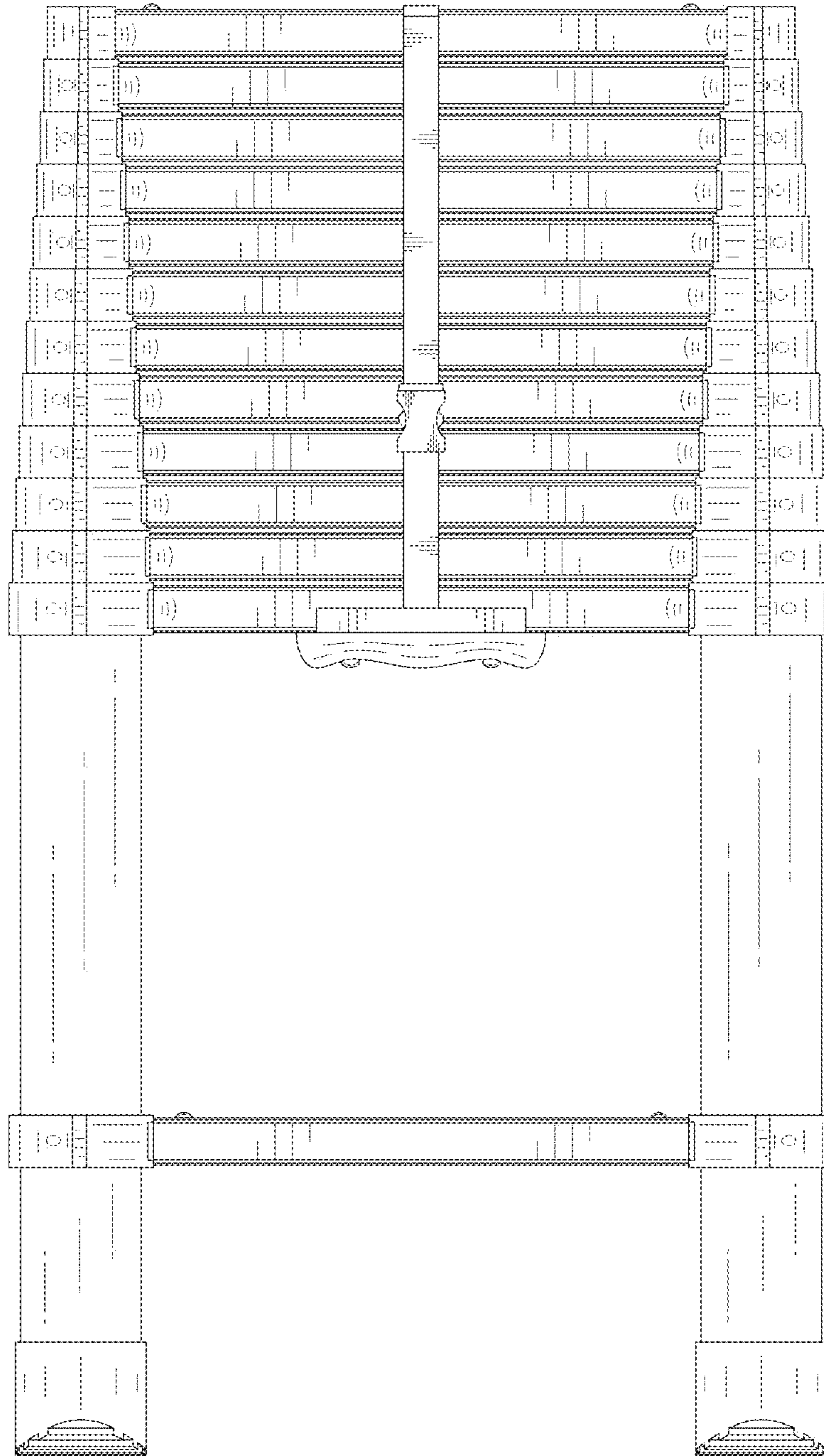


FIG. 4

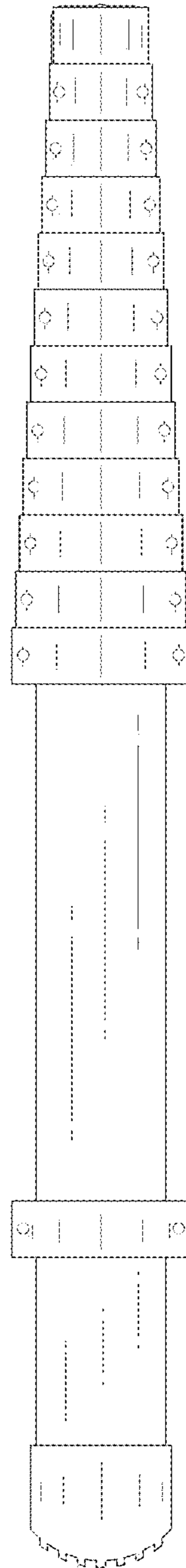


FIG. 5

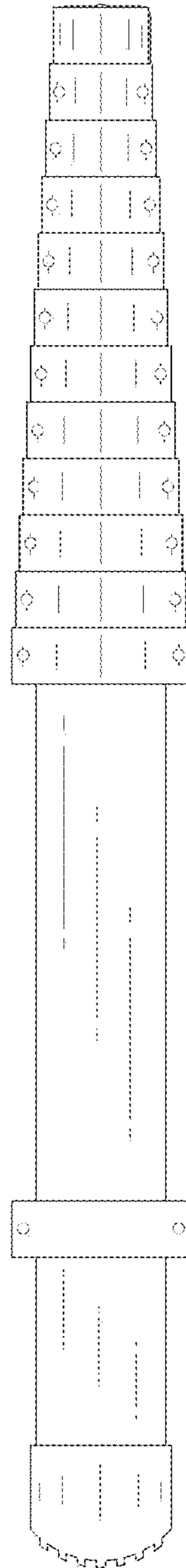


FIG. 6

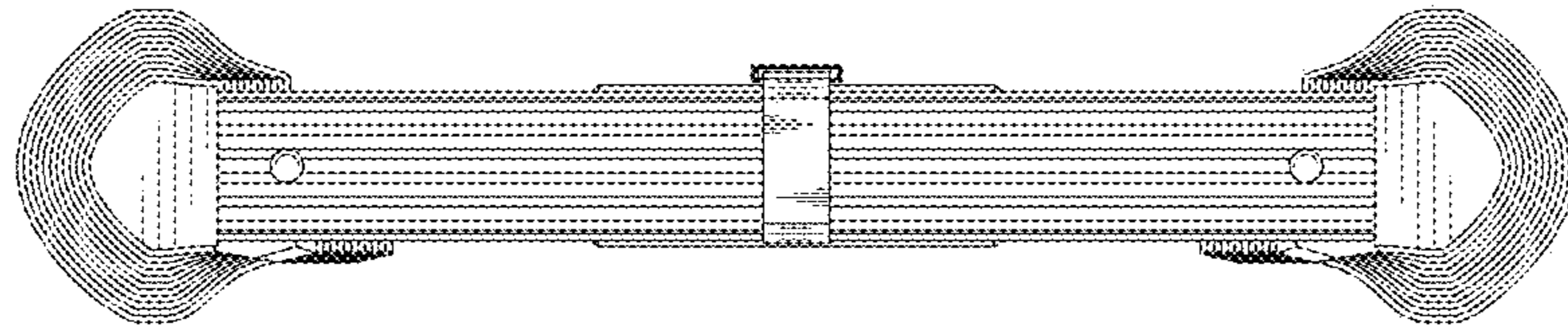


FIG. 7

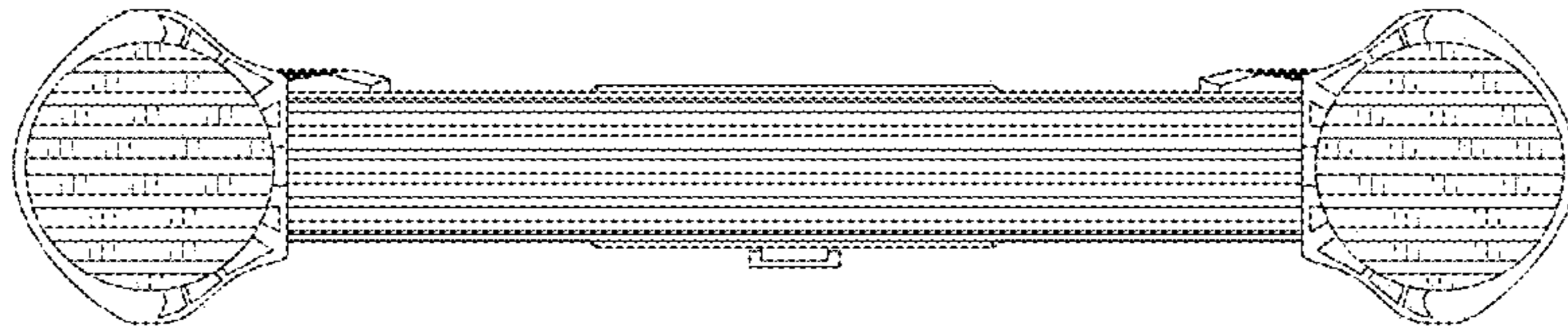


FIG. 8

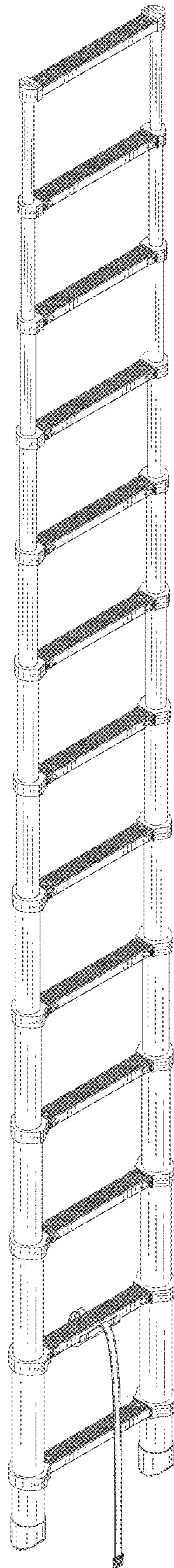


FIG. 9