



US00D975313S

(12) **United States Design Patent**  
**Tanaka**

(10) **Patent No.:** **US D975,313 S**  
(45) **Date of Patent:** **\*\* Jan. 10, 2023**

(54) **RACK FOR SPECIMEN CONTAINERS**  
(71) Applicant: **FUJIFILM Corporation**, Tokyo (JP)  
(72) Inventor: **Kunihiko Tanaka**, Ashigarakami-gun (JP)

D937,435 S \* 11/2021 Rai ..... D24/230  
D938,612 S \* 12/2021 Liu ..... D24/229  
2006/0051240 A1\* 3/2006 Watanabe ..... G01N 1/2813  
422/67  
2011/0182784 A1\* 7/2011 Suzuki ..... B01L 9/06  
422/561

(Continued)

(73) Assignee: **FUJIFILM Corporation**, Tokyo (JP)  
(\*\*) Term: **15 Years**

**FOREIGN PATENT DOCUMENTS**

JP 1295896 \* 6/2006  
JP D2013-24060 \* 8/2014  
WO D084034-002 \* 8/2014

(21) Appl. No.: **29/767,907**

(22) Filed: **Jan. 26, 2021**

**OTHER PUBLICATIONS**

(30) **Foreign Application Priority Data**

Jul. 30, 2020 (JP) ..... 2020-015924 D

Magnetic 1.5 mL tube rack/stand from MakerBot's Thingiverse. Online, published date unknown. Retrieved on Jan. 24, 2022 from URL: <https://www.labcompare.com/25193-3D-Printing-Lab-Equipment/5368966-Magnetic-1-5-mL-tube-rack-stand/>.\*

(51) **LOC (14) Cl.** ..... **24-02**

(Continued)

(52) **U.S. Cl.**  
USPC ..... **D24/226**

(58) **Field of Classification Search**  
USPC ..... D24/107, 108, 127, 128, 216, 217, 219,  
D24/224, 226-232; D10/81  
CPC ..... B01L 9/06; B01L 9/65; B01L 9/00; B01L  
3/5025; B01L 3/508; B01L 3/5082; A61J  
1/00; A61J 1/12; A61J 1/065; A61J  
1/067; G01N 35/026

*Primary Examiner* — Omeed Agilee  
(74) *Attorney, Agent, or Firm* — Sughrue Mion, PLLC

See application file for complete search history.

(57) **CLAIM**

The ornamental design for a rack for specimen containers, as shown and described.

(56) **References Cited**

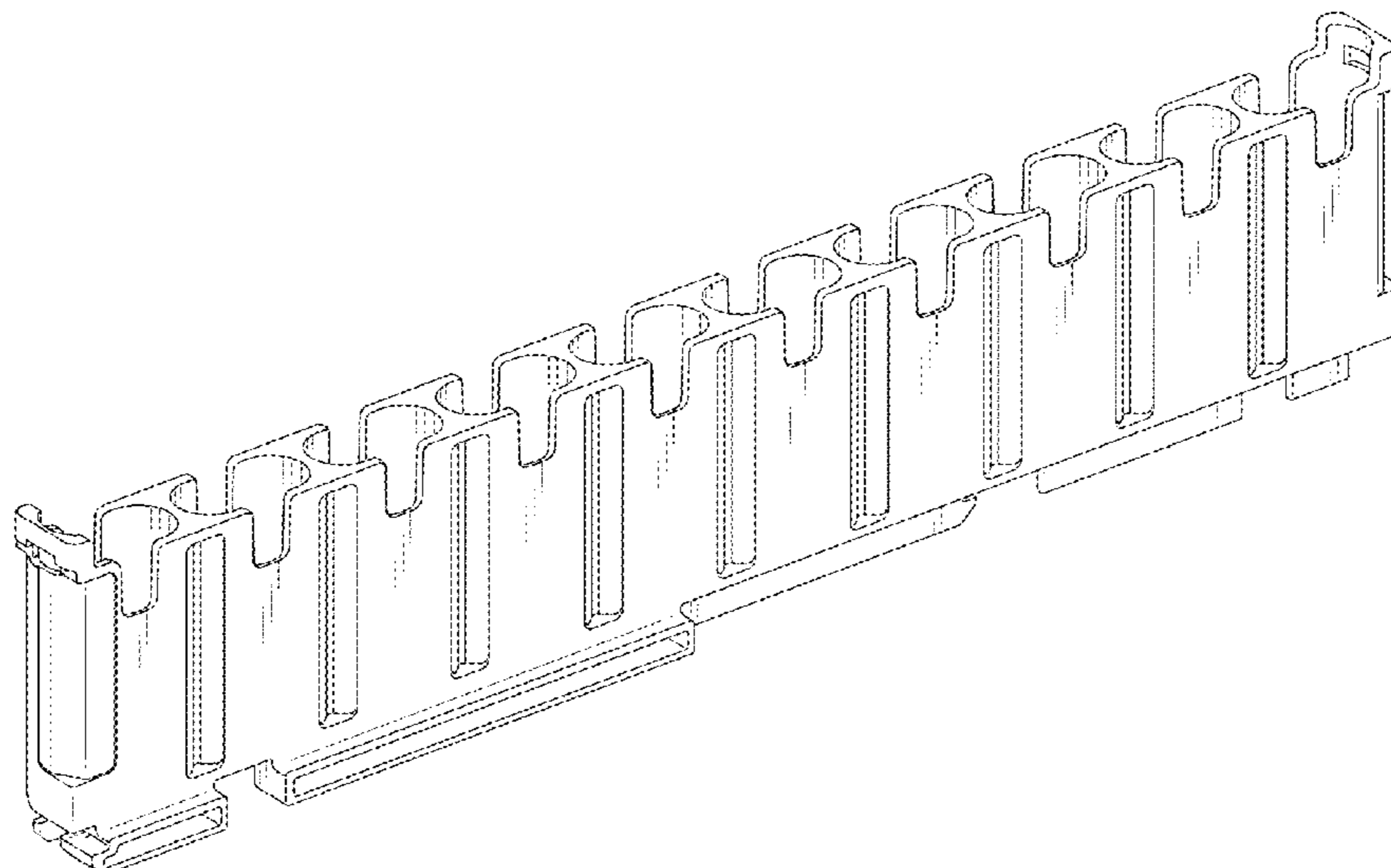
**U.S. PATENT DOCUMENTS**

D413,391 S \* 8/1999 Lapeus ..... D24/227  
D413,677 S \* 9/1999 Dumitrescu ..... D24/229  
D417,009 S \* 11/1999 Boyd ..... D24/227  
D420,747 S \* 2/2000 Dumitrescu ..... D24/227  
D421,130 S \* 2/2000 Cohen ..... D24/229  
D595,423 S \* 6/2009 Johansson ..... D24/229  
D674,507 S \* 1/2013 Suzuki ..... D24/229  
D675,338 S \* 1/2013 Suzuki ..... D24/229  
D782,064 S \* 3/2017 Shanafelter ..... D24/227  
D812,244 S \* 3/2018 Shanafelter ..... D24/230  
D837,401 S \* 1/2019 Gardner ..... D24/230

**DESCRIPTION**

FIG. 1 is a perspective view of a rack for specimen containers, showing the new design;  
FIG. 2 is a front view thereof;  
FIG. 3 is a rear view thereof;  
FIG. 4 is a right side view thereof;  
FIG. 5 is a left side view thereof;  
FIG. 6 is a top view thereof; and,  
FIG. 7 is a bottom view thereof.  
Broken lines depict portions of the rack for specimen containers that form no part of the claimed design.

**1 Claim, 7 Drawing Sheets**



(56)

**References Cited**

U.S. PATENT DOCUMENTS

2012/0292220 A1\* 11/2012 Nuotio ..... G01N 35/026  
206/460  
2020/0072857 A1\* 3/2020 Oda ..... G01N 35/026  
2021/0237084 A1\* 8/2021 Wolf ..... B01L 3/5453

OTHER PUBLICATIONS

Kartell Test Tube Rack, PP. Online, published date unknown.  
Retrieved on Jan. 24, 2022 from URL: [https://www.dynalon.com/  
PublicStore/product/Kartell-Test-Tube-Rack-PP,775,289.aspx](https://www.dynalon.com/PublicStore/product/Kartell-Test-Tube-Rack-PP,775,289.aspx).\*

\* cited by examiner

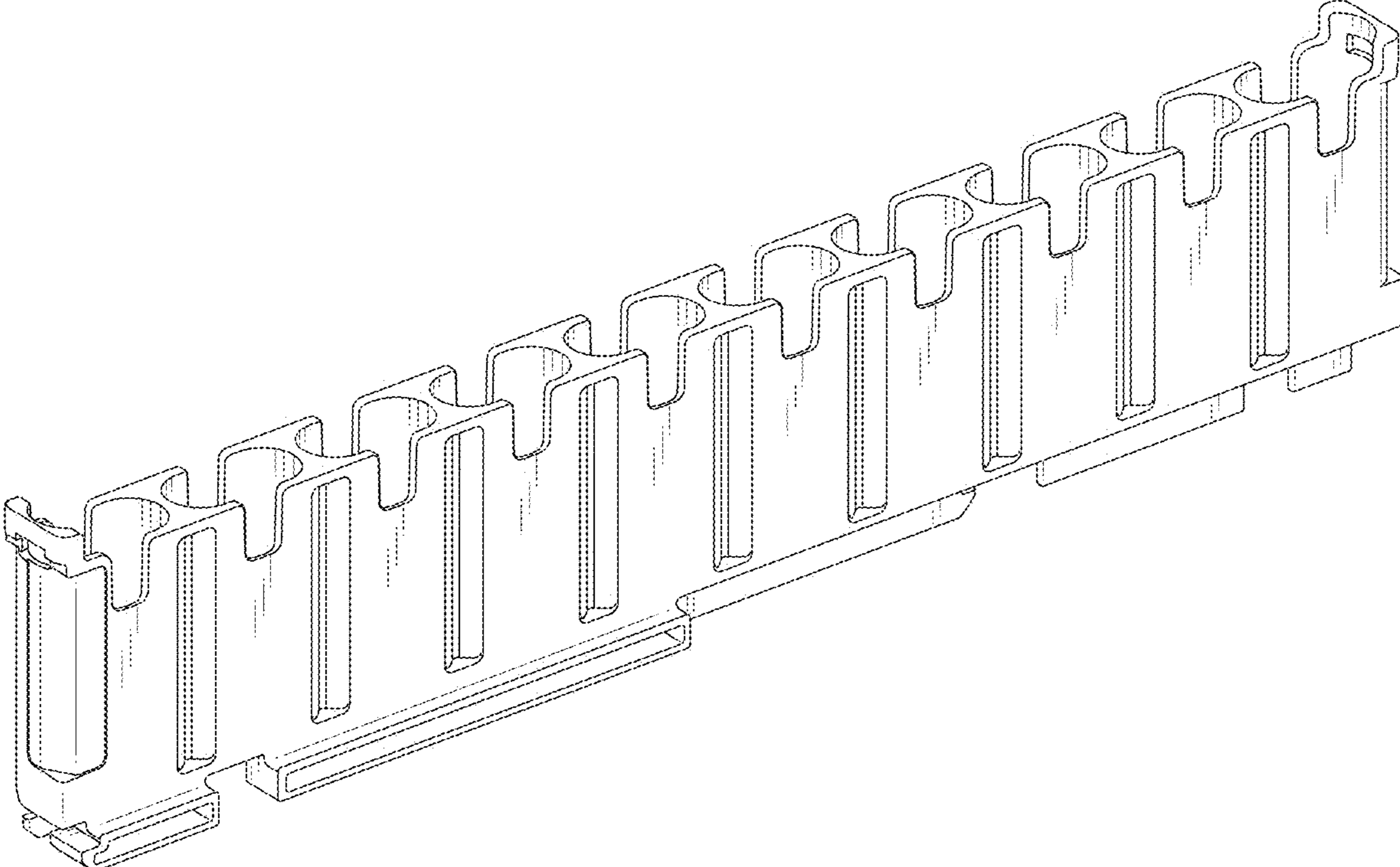


FIG. 1

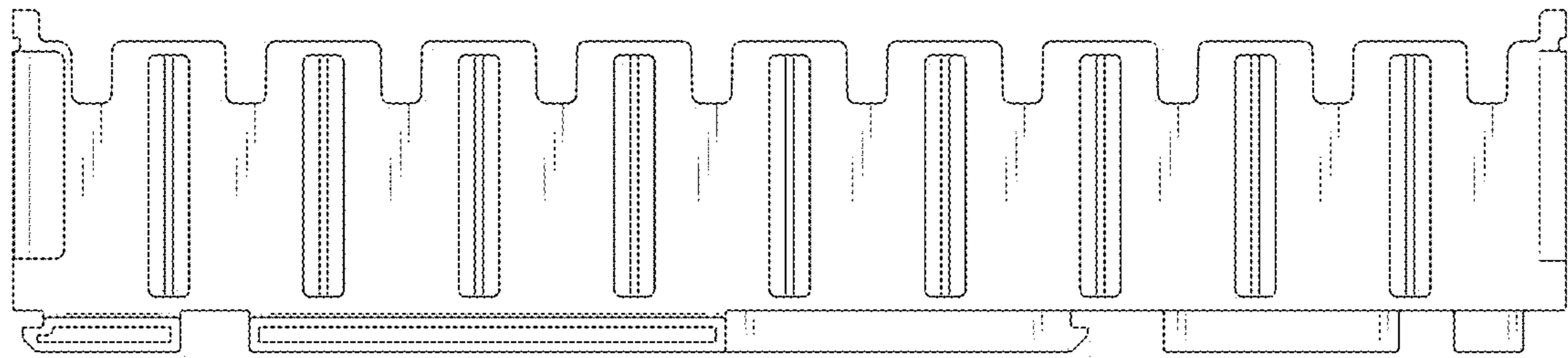


FIG. 2

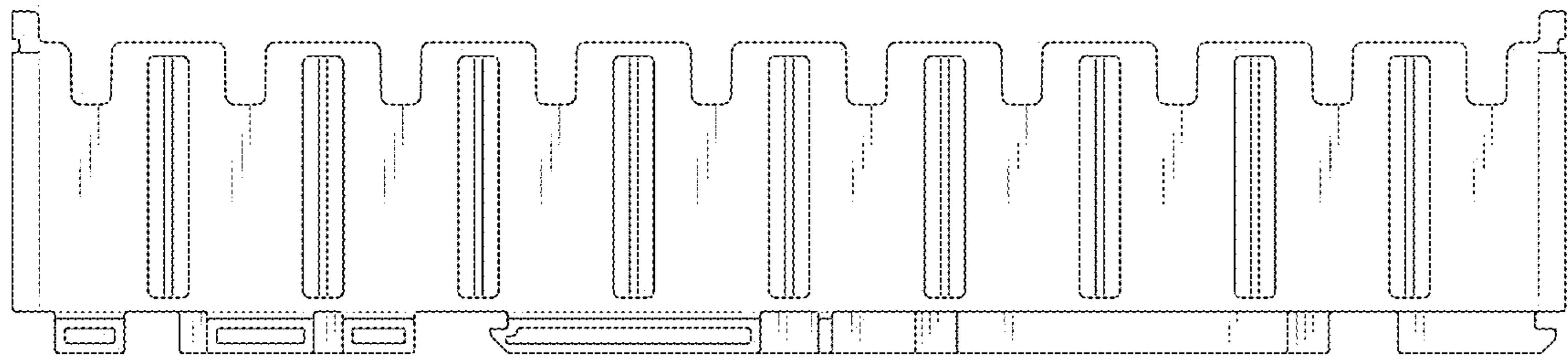


FIG. 3

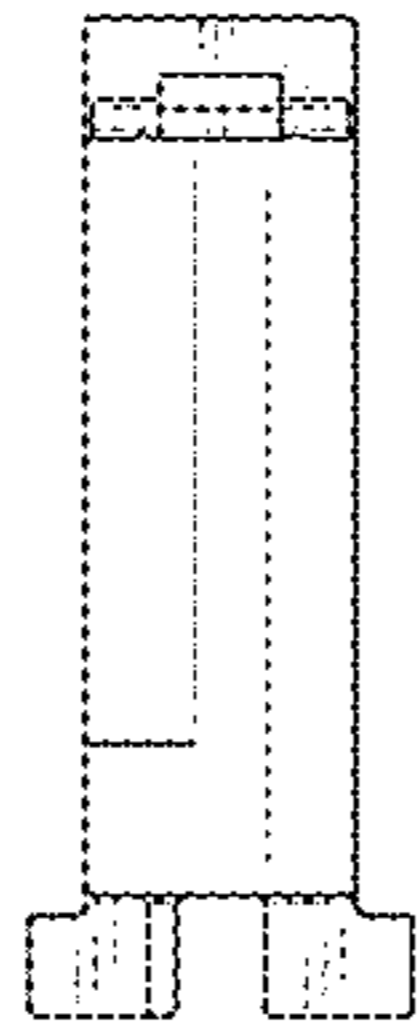


FIG. 4

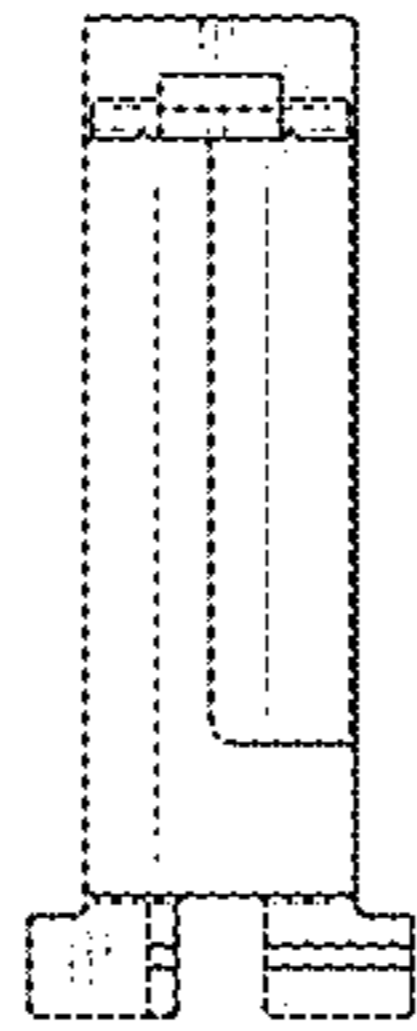


FIG. 5

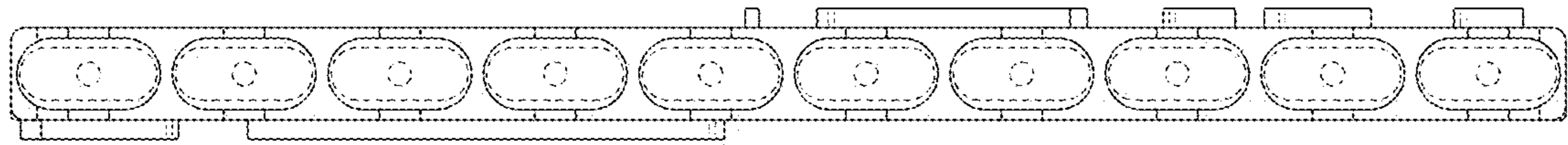


FIG. 6



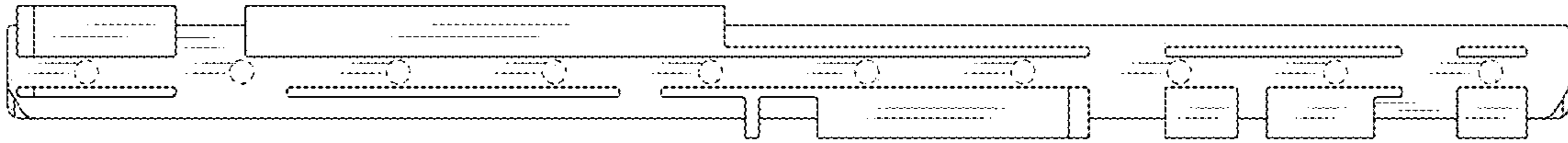


FIG. 7