



US00D975312S

(12) **United States Design Patent** (10) **Patent No.:** **US D975,312 S**
de Castro et al. (45) **Date of Patent:** **** Jan. 10, 2023**

(54) **REAGENT CARTRIDGE**
 (71) Applicant: **Beckman Coulter, Inc.**, Brea, CA (US)
 (72) Inventors: **Juan Fernandez de Castro**, Miami, FL (US); **Giancarlo Ermoli**, North Miami Beach, FL (US); **Thomas Breen**, Coral Springs, FL (US)
 (73) Assignee: **Beckman Coulter, Inc.**, Brea, CA (US)
 (**) Term: **15 Years**

8,838,394 B2 9/2014 Kartalov et al.
 D733,314 S * 6/2015 Lui D24/227
 D733,315 S * 6/2015 Lui D24/227
 9,081,001 B2 7/2015 Cook et al.
 9,200,315 B2 12/2015 Jung et al.
 9,244,085 B2 1/2016 Samproni
 9,347,586 B2 5/2016 Williams et al.
 9,354,199 B2 5/2016 Selden et al.
 D762,875 S * 8/2016 Lui D24/227
 D767,164 S * 9/2016 Schimmel D24/226
 D774,369 S * 12/2016 Harris D7/708
 9,528,987 B2 12/2016 Yager et al.
 9,566,582 B2 2/2017 Buse et al.

(Continued)

(21) Appl. No.: **29/724,466**
 (22) Filed: **Feb. 14, 2020**
 (51) **LOC (14) Cl.** **24-02**
 (52) **U.S. Cl.**
 USPC **D24/226**
 (58) **Field of Classification Search**
 USPC D24/216, 217, 219, 224–229, 230–232;
 D3/203.1, 203.3; D9/420, 423, 424, 430,
 D9/432, 732, 755–758
 CPC B01L 9/06; B01L 9/065; B01L 3/14; B01L
 3/50; B01L 3/06; B01L 3/502; B01L
 3/5025; A61B 5/150343; B01D 9/00
 See application file for complete search history.

FOREIGN PATENT DOCUMENTS

CN 1370278 A 9/2002
 CN 104053607 A 9/2014

(Continued)

Primary Examiner — Omeed Agilee
 (74) *Attorney, Agent, or Firm* — Merchant & Gould P.C.

(57) **CLAIM**

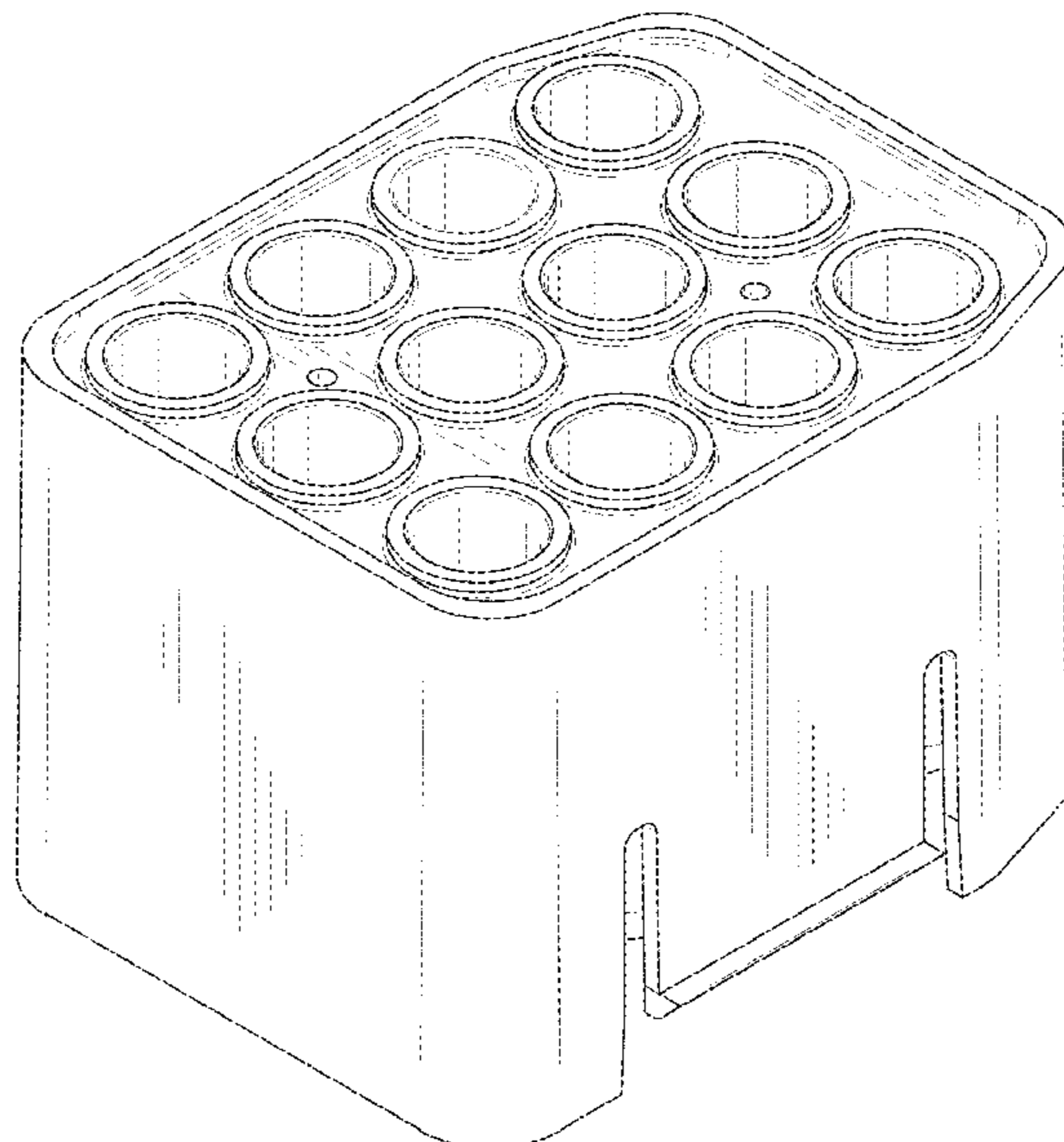
The ornamental design for a reagent cartridge, as shown and described.

DESCRIPTION

FIG. 1 is a top isometric view of a reagent cartridge;
 FIG. 2 is a right side view thereof;
 FIG. 3 is a left side view thereof;
 FIG. 4 is a rear view thereof;
 FIG. 5 is a front view thereof;
 FIG. 6 is a top view of thereof;
 FIG. 7 is a bottom view of thereof;
 FIG. 8 is a bottom isometric view;
 FIG. 9 is another top isometric view;
 FIG. 10 is another bottom isometric view; and,
 FIG. 11 is a cross sectional view taken along line 11-11 shown in FIG. 6.

1 Claim, 11 Drawing Sheets

(56) **References Cited**
 U.S. PATENT DOCUMENTS
 5,127,531 A * 7/1992 Onodera B01L 9/06
 206/446
 D332,664 S * 1/1993 Sincock D24/130
 7,048,893 B2 5/2006 Bellon
 7,435,381 B2 10/2008 Pugia et al.
 D596,758 S * 7/2009 Constable D24/230
 7,981,362 B2 7/2011 Glezer et al.
 7,985,387 B2 7/2011 Haywood et al.
 8,247,176 B2 8/2012 Petersen et al.
 8,298,834 B2 10/2012 Glezer et al.
 D684,276 S * 6/2013 Hudson D24/226



(56)

References Cited

U.S. PATENT DOCUMENTS

D791,964 S * 7/2017 Lui D24/227
 D800,184 S * 10/2017 Suess D15/79
 D810,959 S * 2/2018 Langhoff D24/230
 D823,654 S * 7/2018 Harris D7/707
 D826,425 S * 8/2018 Muller D24/230
 D882,818 S * 4/2020 Leimkuehler D24/227
 D894,424 S * 8/2020 Livingston D24/227
 D918,415 S * 5/2021 Jones D24/227
 D923,815 S * 6/2021 Livingston D24/226
 D932,052 S * 9/2021 Zergiebel D24/229
 2004/0265171 A1 12/2004 Puglia et al.
 2006/0088931 A1 4/2006 Ririe
 2006/0212020 A1 9/2006 Rainen et al.
 2007/0025875 A1 2/2007 Peters et al.
 2007/0280857 A1 12/2007 Song et al.
 2008/0138890 A1 6/2008 Horiike
 2011/0143947 A1 6/2011 Chamberlin et al.

2013/0302809 A1 11/2013 Bru Gibert et al.
 2015/0160245 A1 6/2015 Lieberman et al.
 2017/0010276 A1 1/2017 Chen et al.
 2020/0337946 A1* 10/2020 Thorne A61J 1/16

FOREIGN PATENT DOCUMENTS

CN 103430024 B 6/2016
 EP 834729 A2 9/1996
 EP 1770398 A1 4/2007
 EP 2191899 A1 6/2010
 JP 2008200028 A 9/2008
 JP 03156819 U 11/2009
 JP 2011137694 A 7/2011
 JP 2012100679 A 5/2012
 JP 2016205850 A 12/2016
 WO 2011116256 A2 9/2011
 WO 2016073672 A1 5/2016
 WO 20161394224 A1 9/2016

* cited by examiner

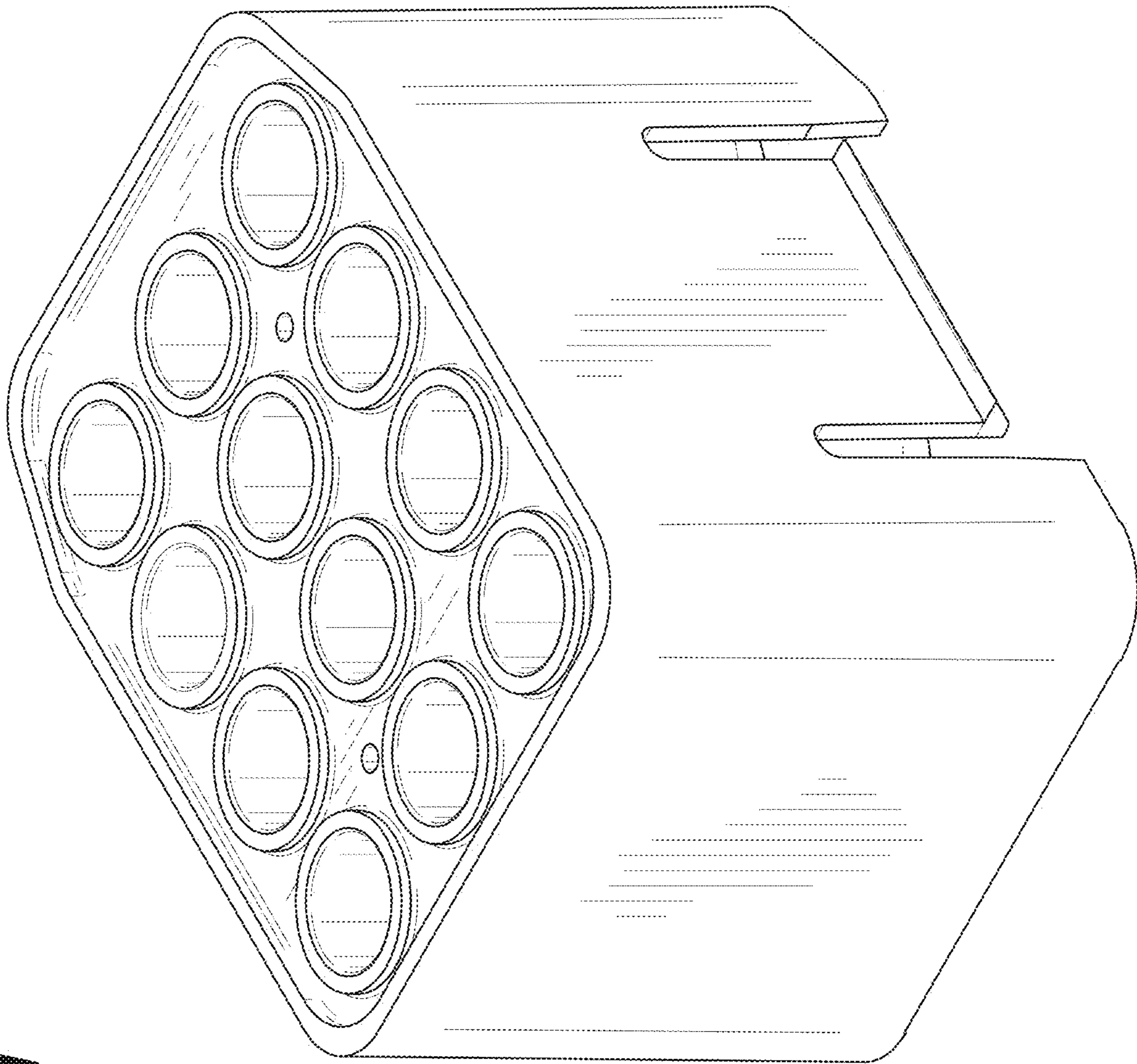


FIG. 1

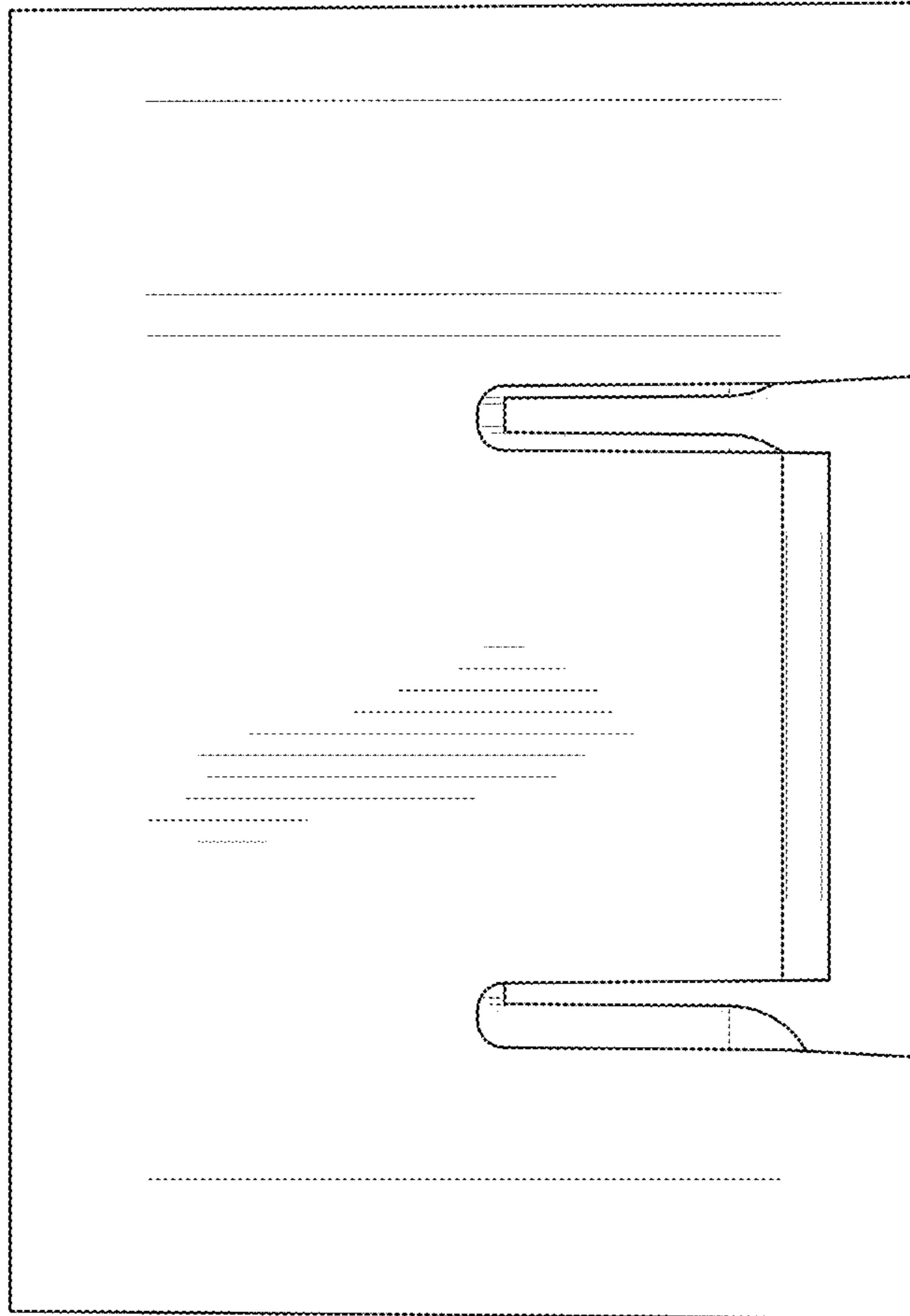


FIG. 2

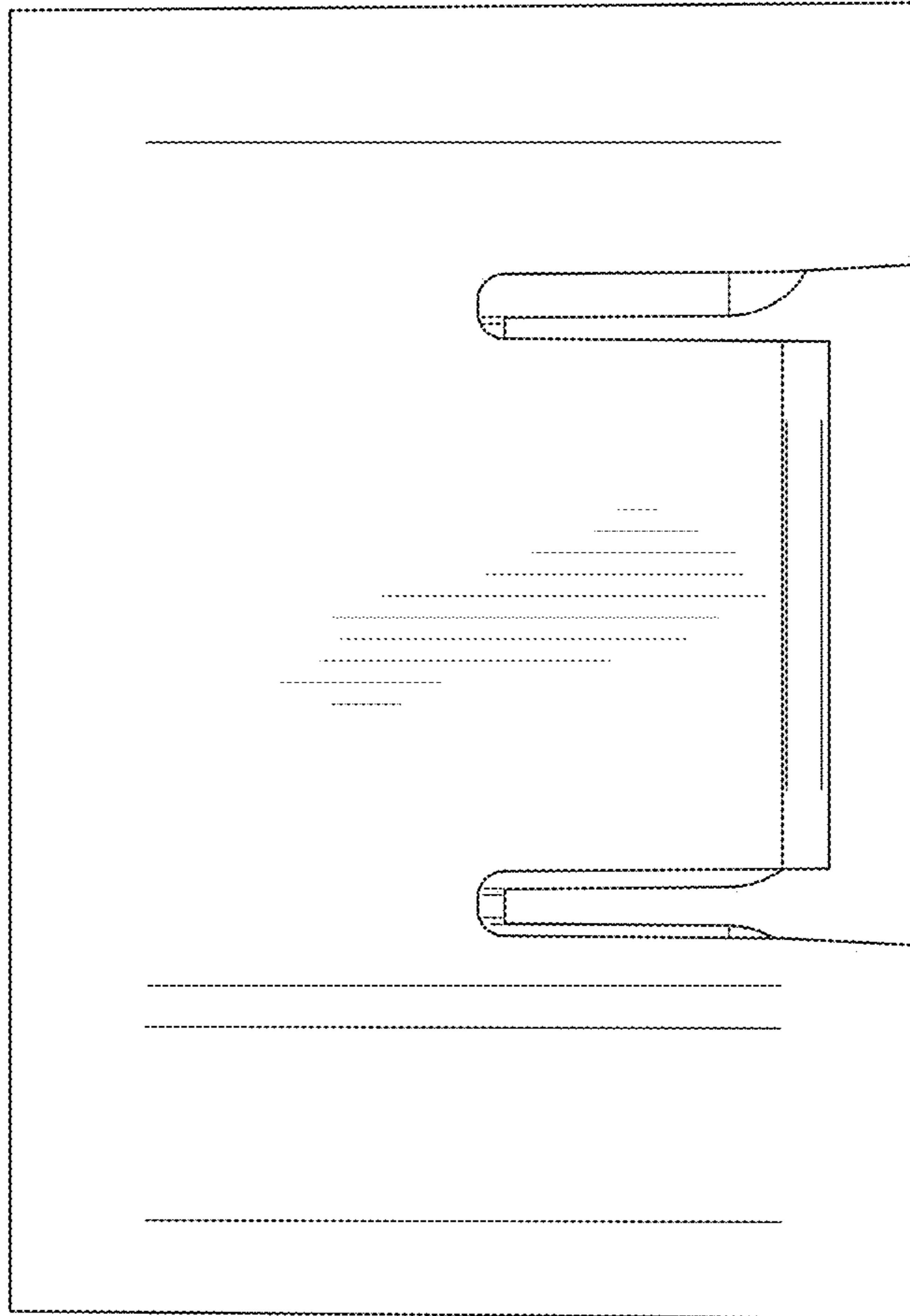


FIG. 3

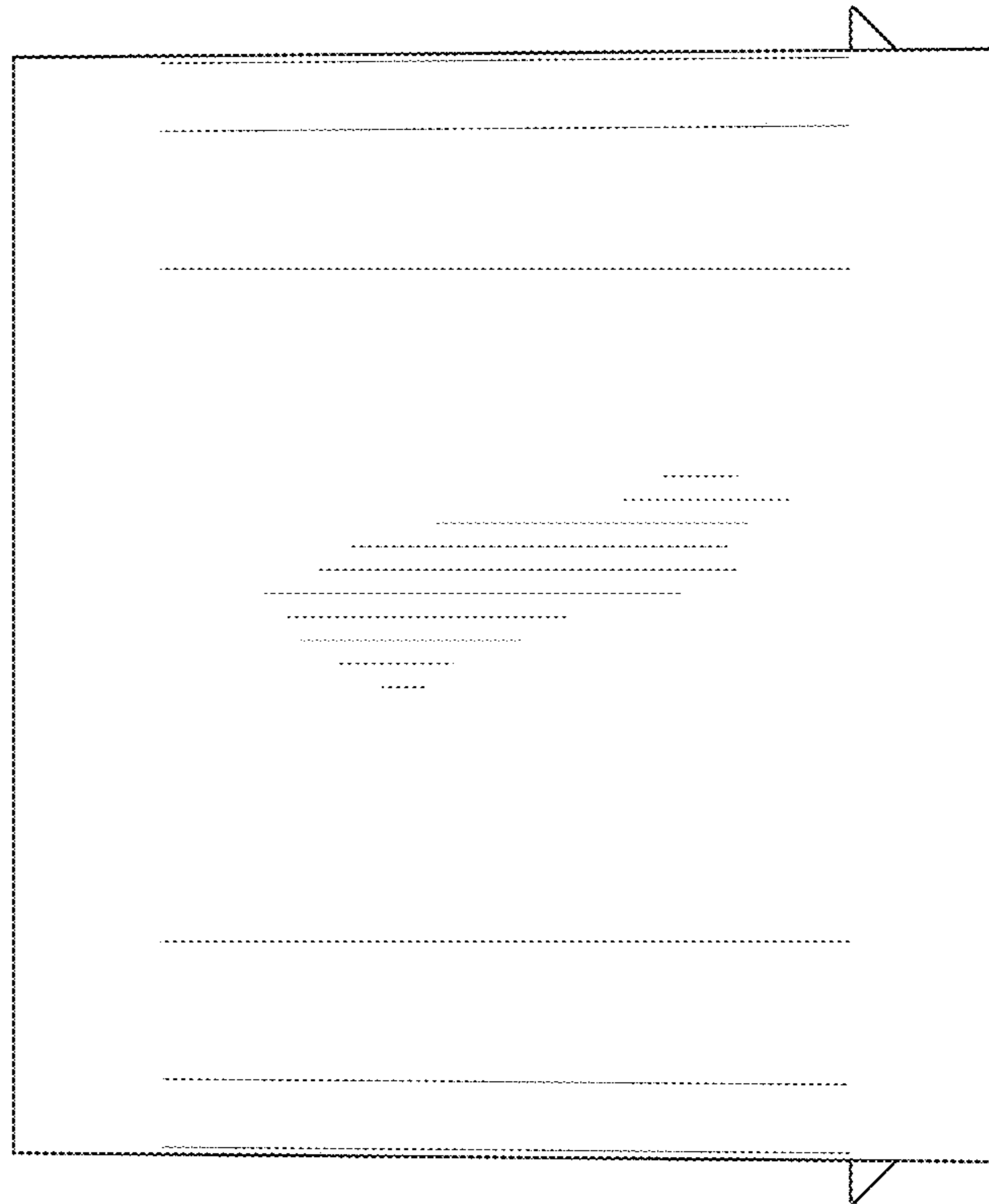


FIG. 4

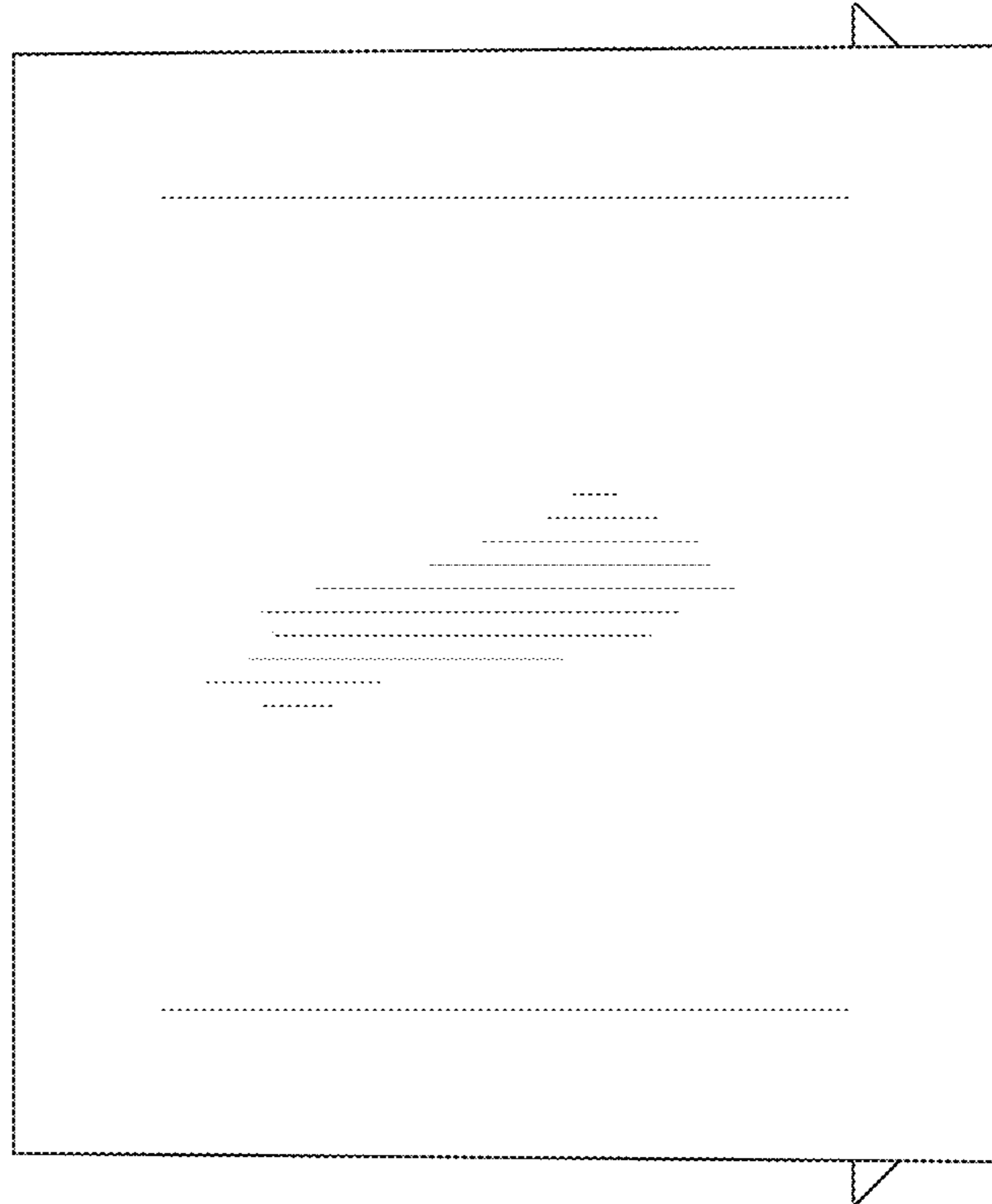


FIG. 5

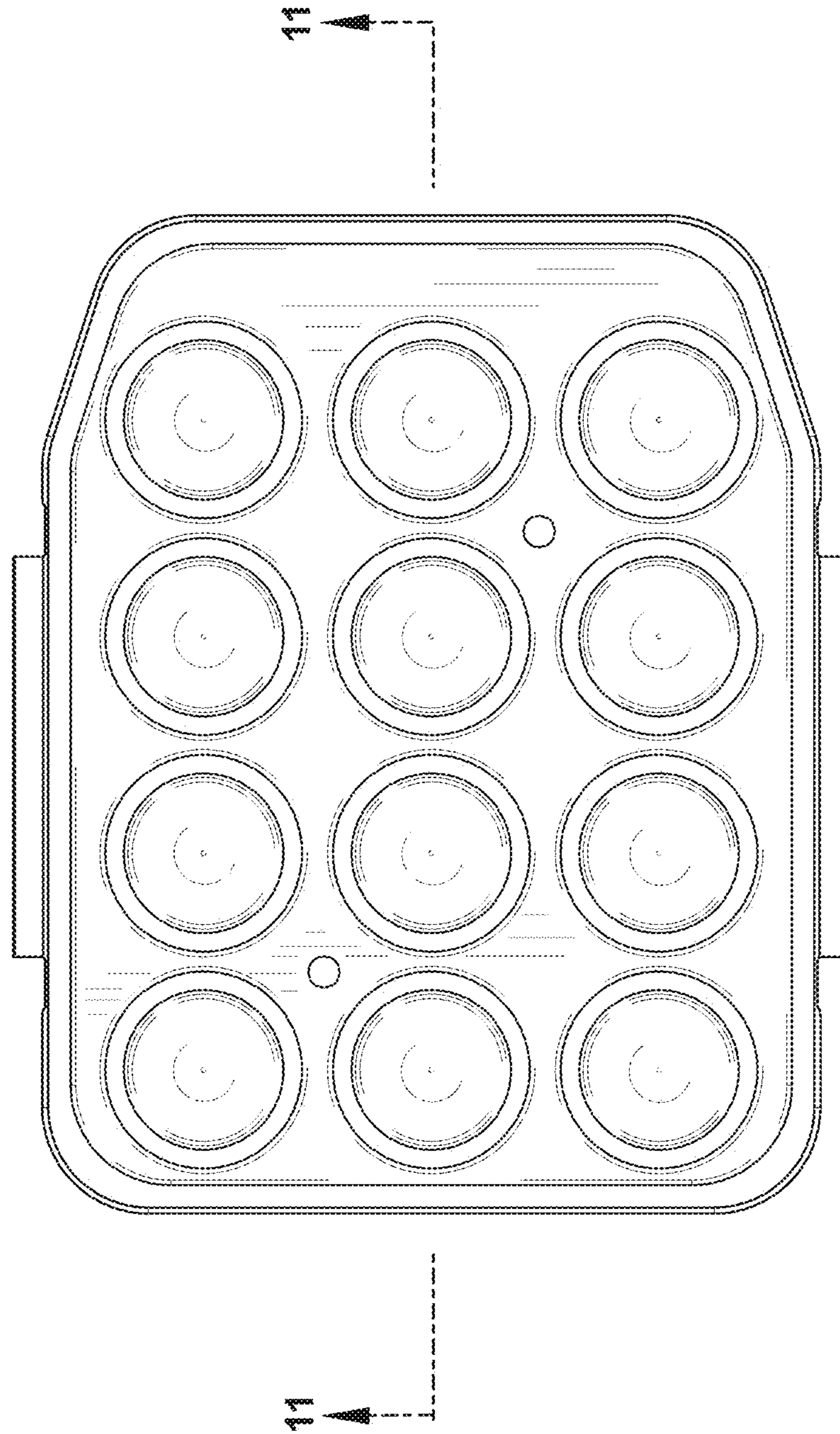


FIG. 6

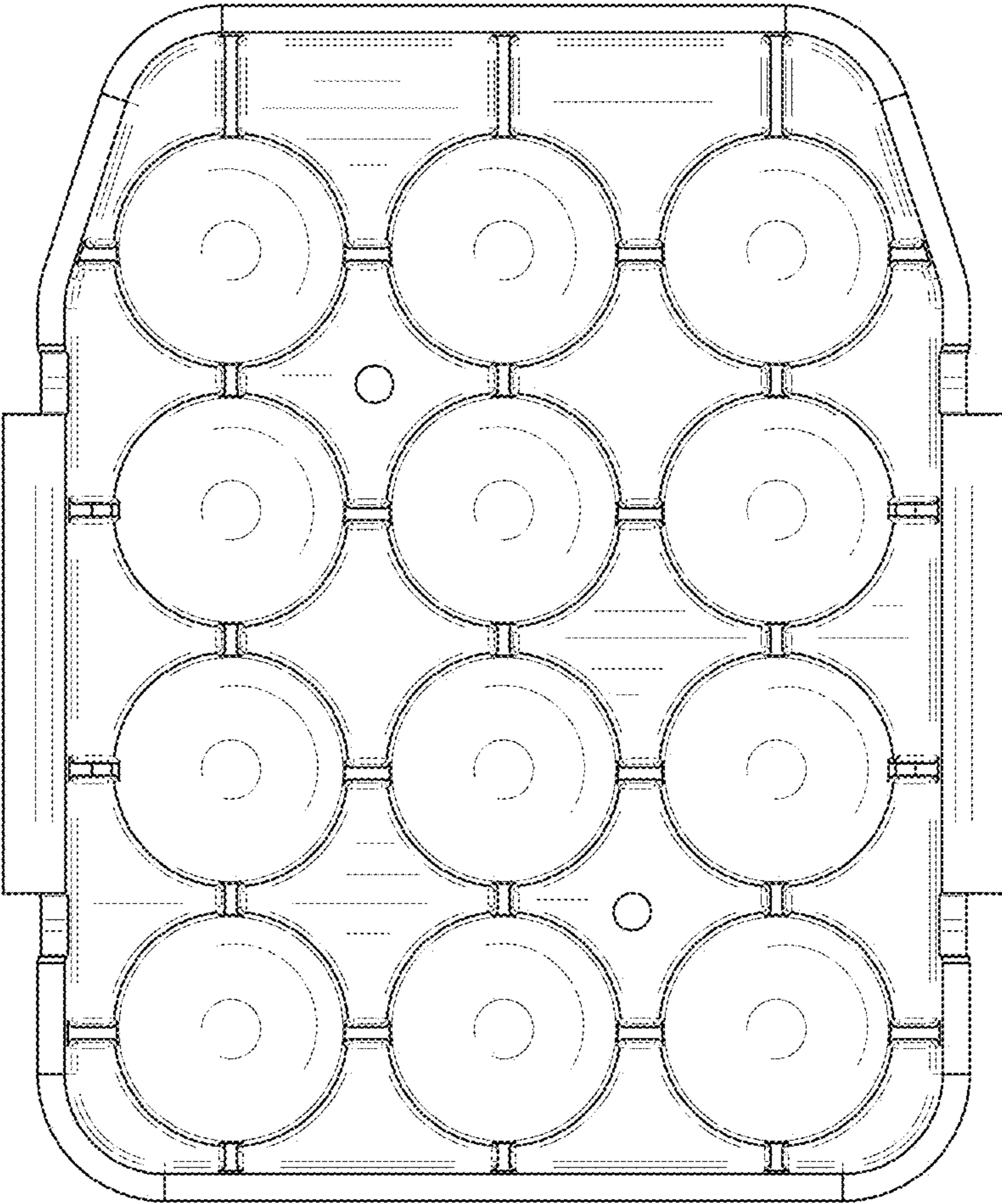


FIG. 7

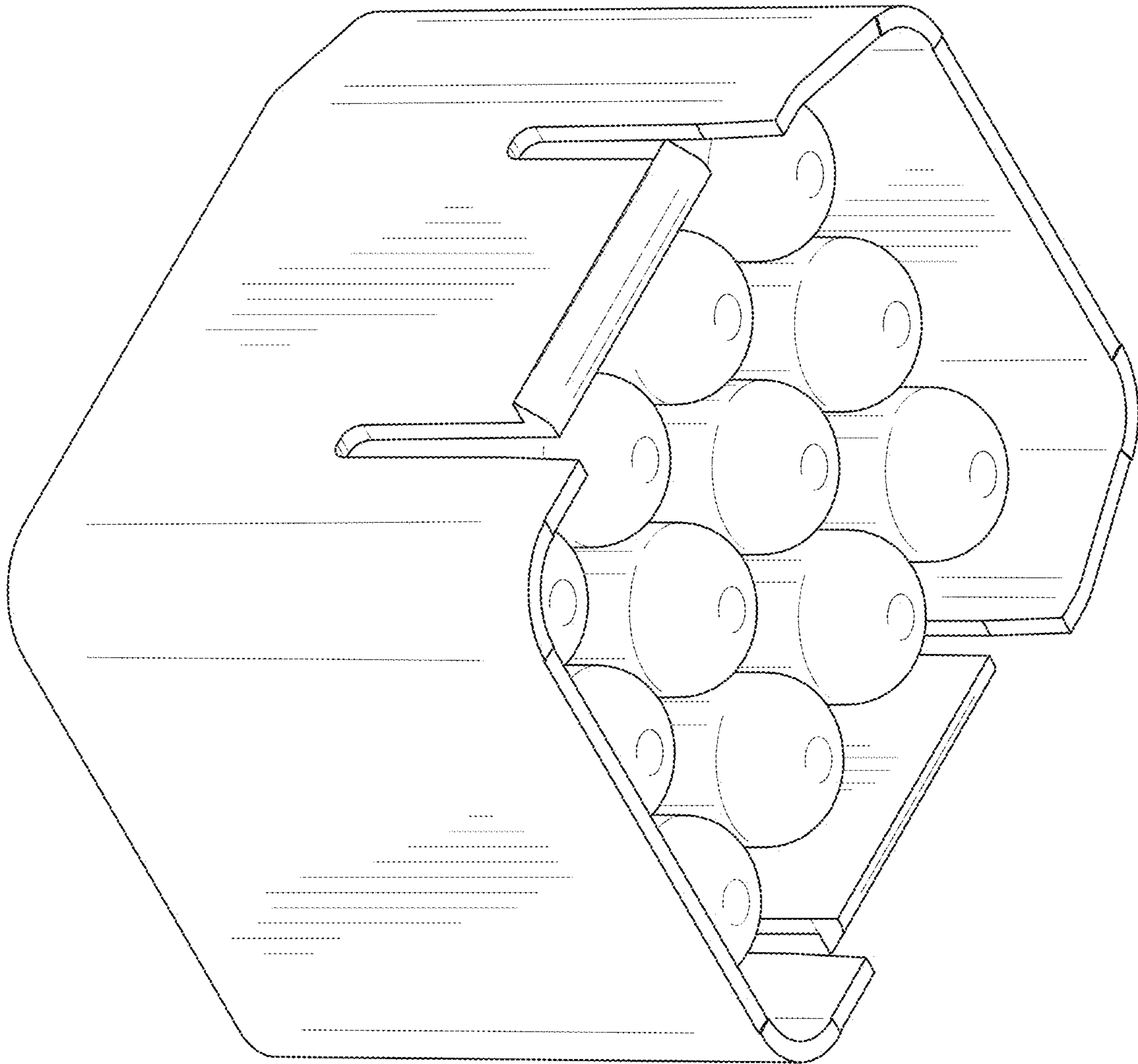


FIG. 8

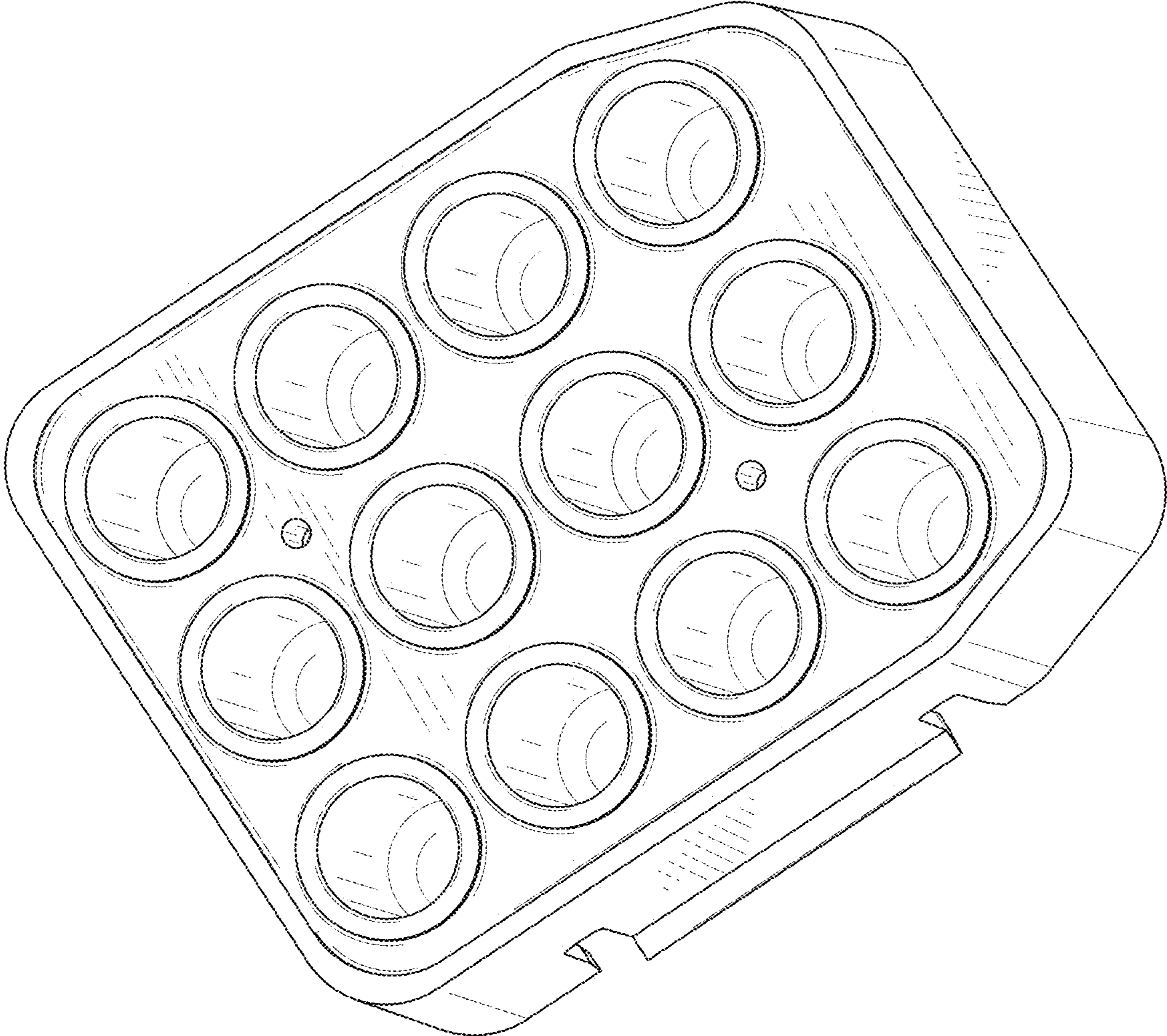


FIG. 9

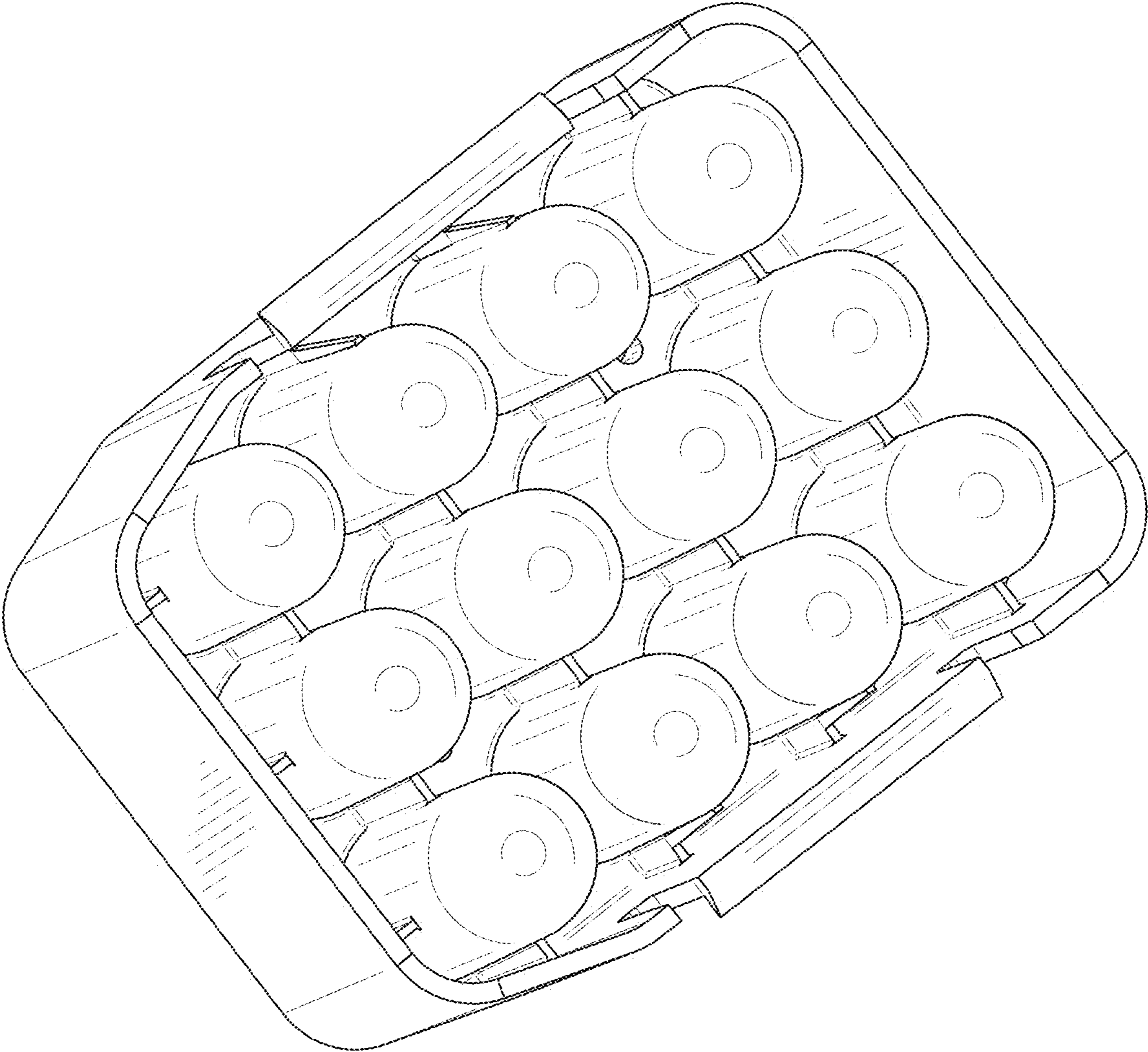


FIG. 10

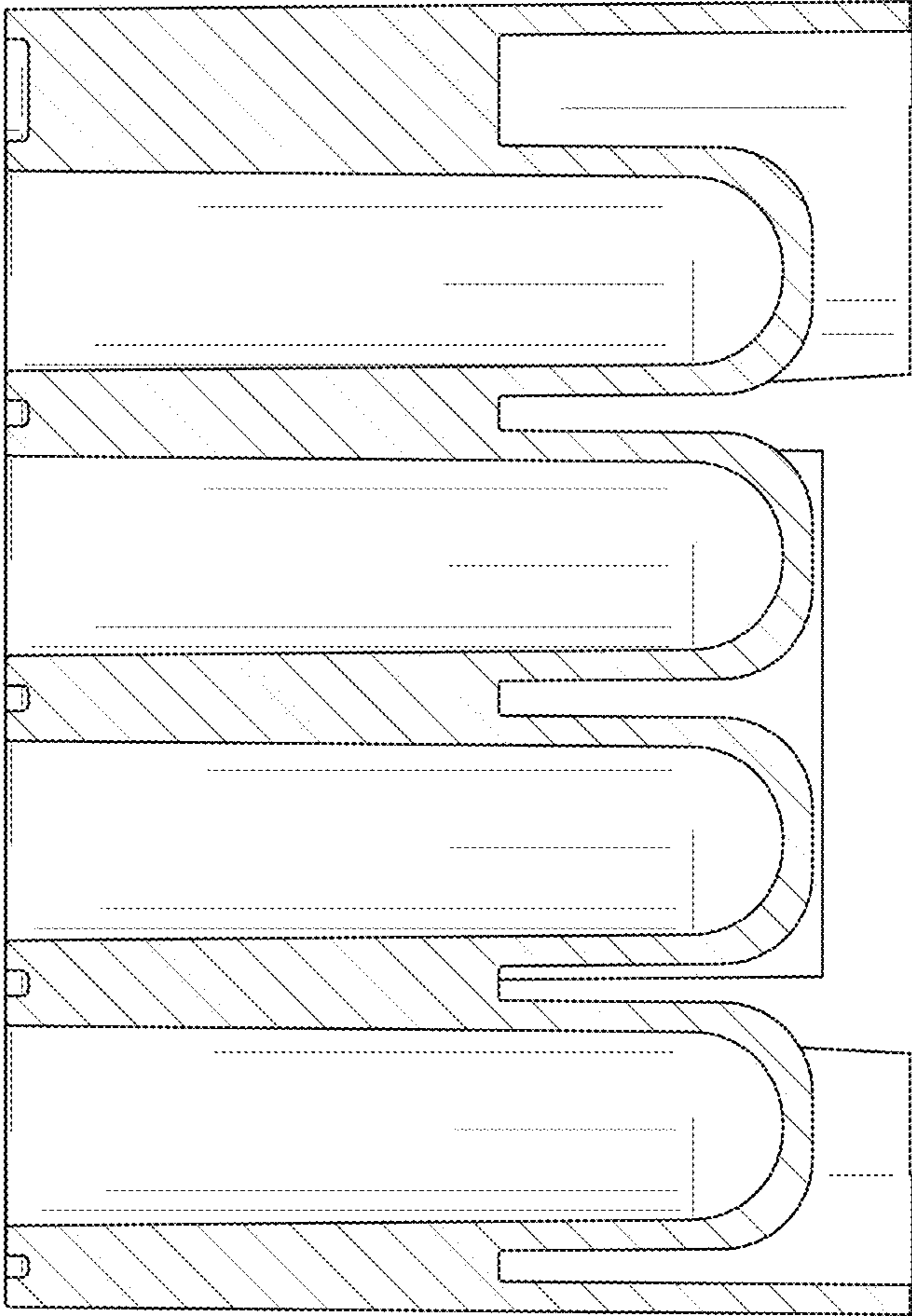


FIG. 11