



US00D975311S

(12) **United States Design Patent**
Guiraldenq et al.

(10) **Patent No.:** **US D975,311 S**
(45) **Date of Patent:** **** Jan. 10, 2023**

(54) **REAGENT CONTAINER**
(71) Applicant: **LEICA BIOSYSTEMS**
MELBOURNE PTY LTD, Mount
Waverley (AU)
(72) Inventors: **Nicolas Guiraldenq**, Highett (AU);
Paul Darbyshire, Bentleigh (AU);
Maxim Stanislaw Pamieta, South
Yarra (AU)

5,683,658 A * 11/1997 Reischl B65D 1/023
215/234
D407,826 S * 4/1999 Yamazaki D24/224
D447,233 S * 8/2001 Bickel D24/131
D500,641 S * 1/2005 Wolf D7/629
D510,437 S * 10/2005 Lang D24/164
D518,173 S * 3/2006 Coates D24/131
D541,163 S * 4/2007 Altonen D9/529
D601,771 S * 10/2009 Lim D34/11

(Continued)

FOREIGN PATENT DOCUMENTS

(73) Assignee: **LEICA BIOSYSTEMS**
MELBOURNE PTY LTD, Mount
Waverley (AU)

CN 307153122 * 3/2022
JP D2013-6331 * 3/2013

Primary Examiner — Omeed Agilee

(**) Term: **15 Years**

(74) *Attorney, Agent, or Firm* — Sughrue Mion, PLLC

(21) Appl. No.: **29/694,984**

(22) Filed: **Jun. 14, 2019**

(57) **CLAIM**

(30) **Foreign Application Priority Data**

The ornamental design for a reagent container, as shown and described.

Dec. 17, 2018 (AU) 201817586

(51) **LOC (14) Cl.** **24-02**

(52) **U.S. Cl.**
USPC **D24/224**

(58) **Field of Classification Search**
USPC D24/216, 222–226, 231, 232, 118;
D9/503, 504, 505, 520, 529, 549;
D10/81; D3/203.1–203.8; D7/509
CPC B01L 3/565; B01L 3/00
See application file for complete search history.

DESCRIPTION

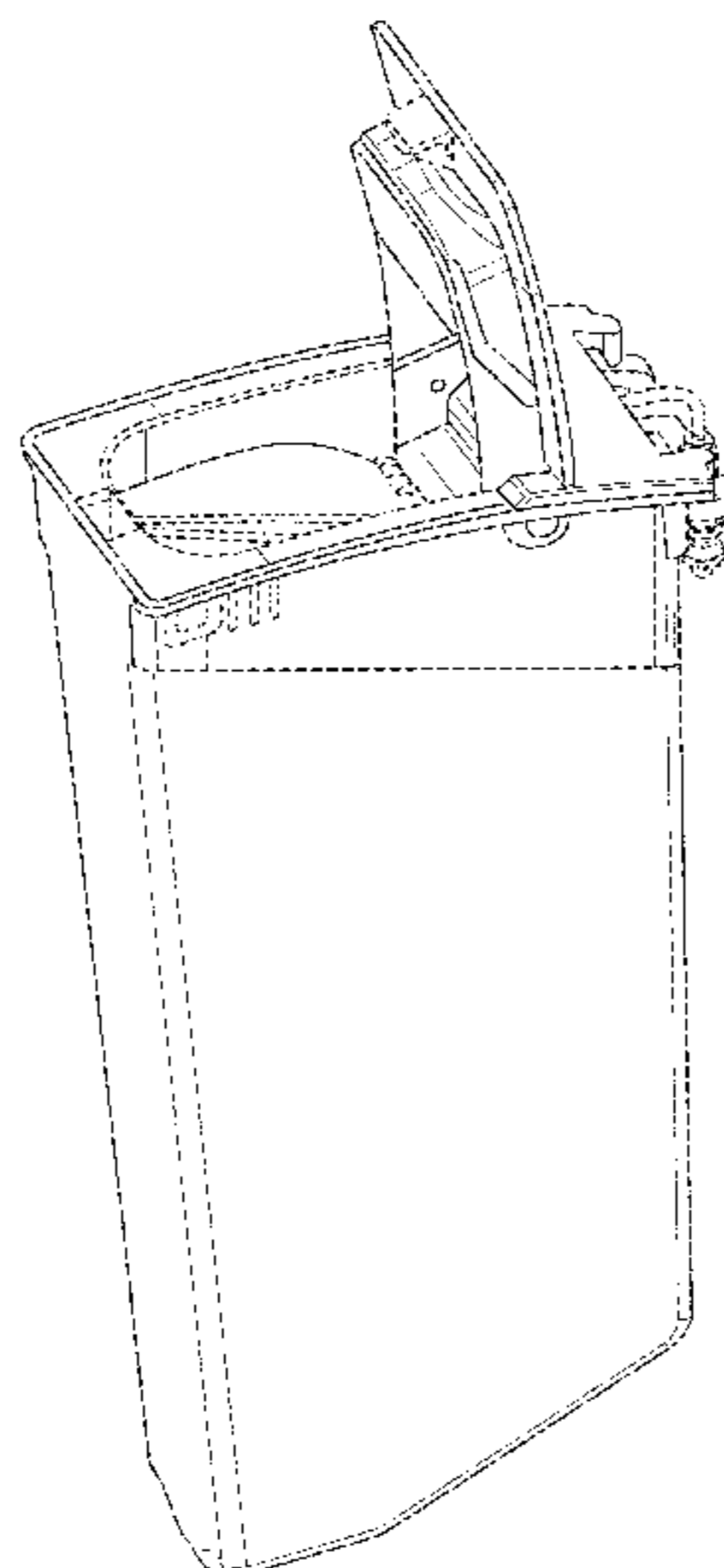
(56) **References Cited**

U.S. PATENT DOCUMENTS

4,867,309 A * 9/1989 Germain A61M 5/3205
206/366
D304,493 S * 11/1989 Bemis D24/131
D306,509 S * 3/1990 Hanifl D24/131
4,913,309 A * 4/1990 Fink A61B 50/36
206/409
D341,237 S * 11/1993 DeBusk D24/131

FIG. 1 is a rear and right side perspective view of a reagent container, showing our new design;
FIG. 2 is front and left side perspective view thereof;
FIG. 3 is a front elevational view thereof;
FIG. 4 is a sectional view thereof taken along line 4-4 in FIG. 3;
FIG. 5 is a perspective view of the front and right side thereof;
FIG. 6 is a left side elevational view thereof;
FIG. 7 is a top plan view thereof;
FIG. 8 is a right side elevational view thereof; and,
FIG. 9 is a bottom and right perspective view thereof.
The broken lines, the areas within them, and the areas bounded by both broken lines and solid lines in the drawings depict portions of the reagent container that form no part of the claimed design.

1 Claim, 7 Drawing Sheets



(56)

References Cited

U.S. PATENT DOCUMENTS

D616,753 S * 6/2010 Beam D9/529
D637,731 S * 5/2011 Sattler D24/224
D666,736 S * 9/2012 Kobayashi D24/224
10,426,193 B2 * 10/2019 Schennum A24F 15/12
D919,215 S * 5/2021 Lin D32/53
D950,769 S * 5/2022 Klintstedt D24/224
D952,180 S * 5/2022 Knight B65D 17/50
D24/224
D954,987 S * 6/2022 Veenendaal D24/224
D958,400 S * 7/2022 Knight B01L 3/523
D24/224
2018/0290141 A1 * 10/2018 Knight G01N 35/1079

* cited by examiner

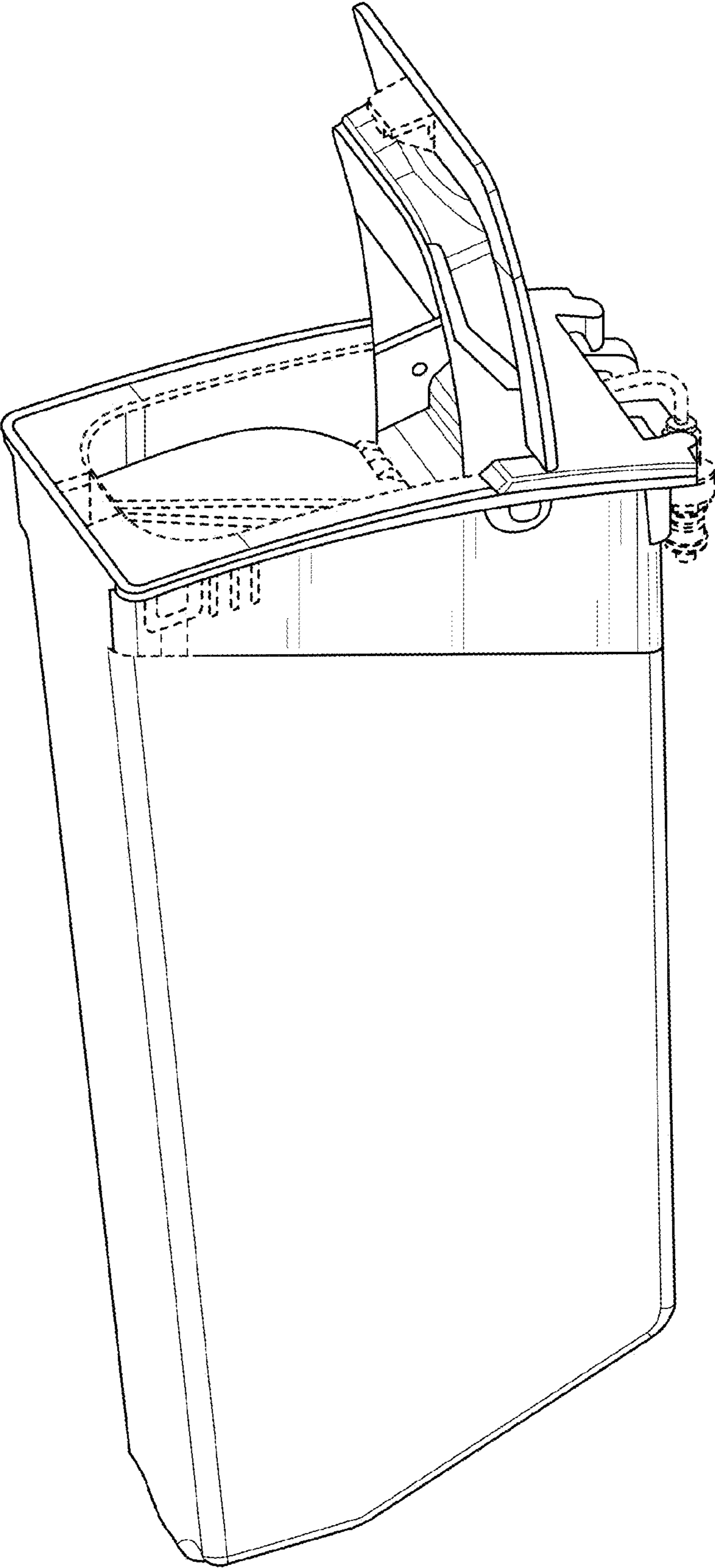


FIG. 1

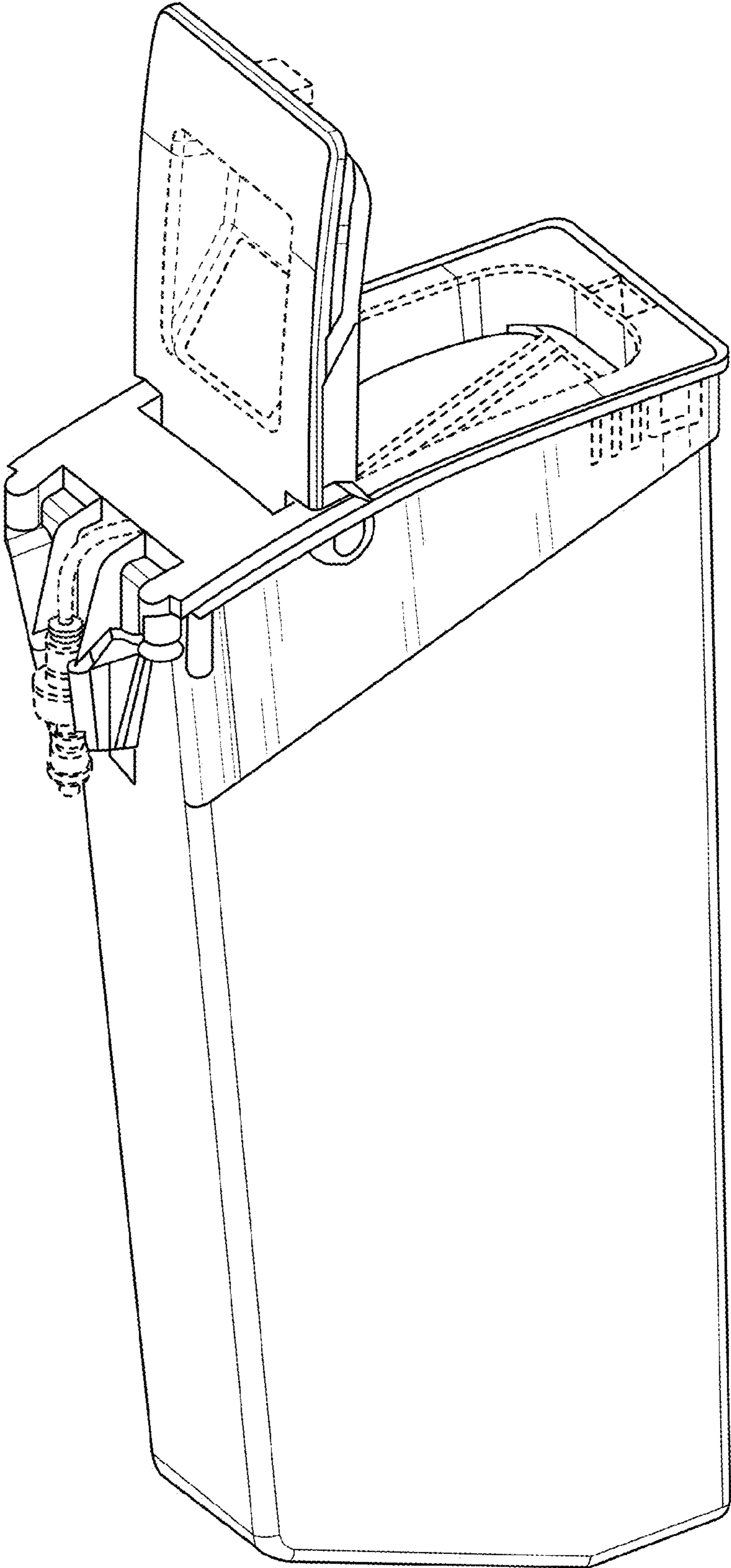


FIG. 2

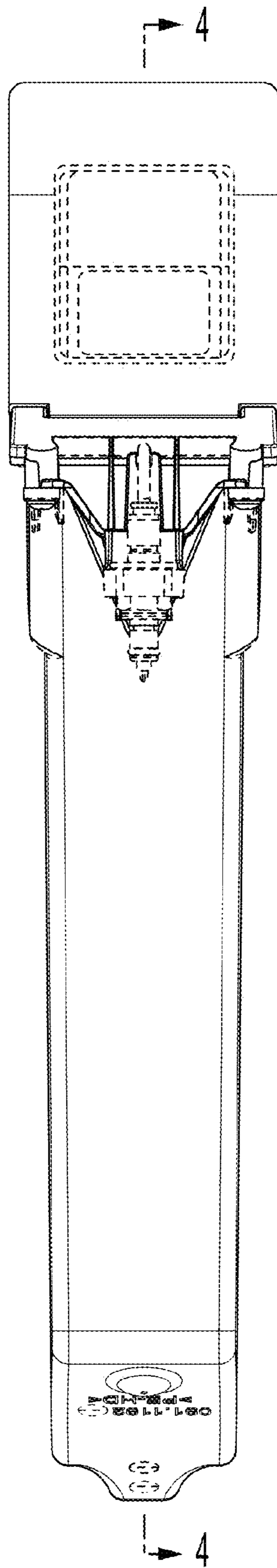


FIG. 3

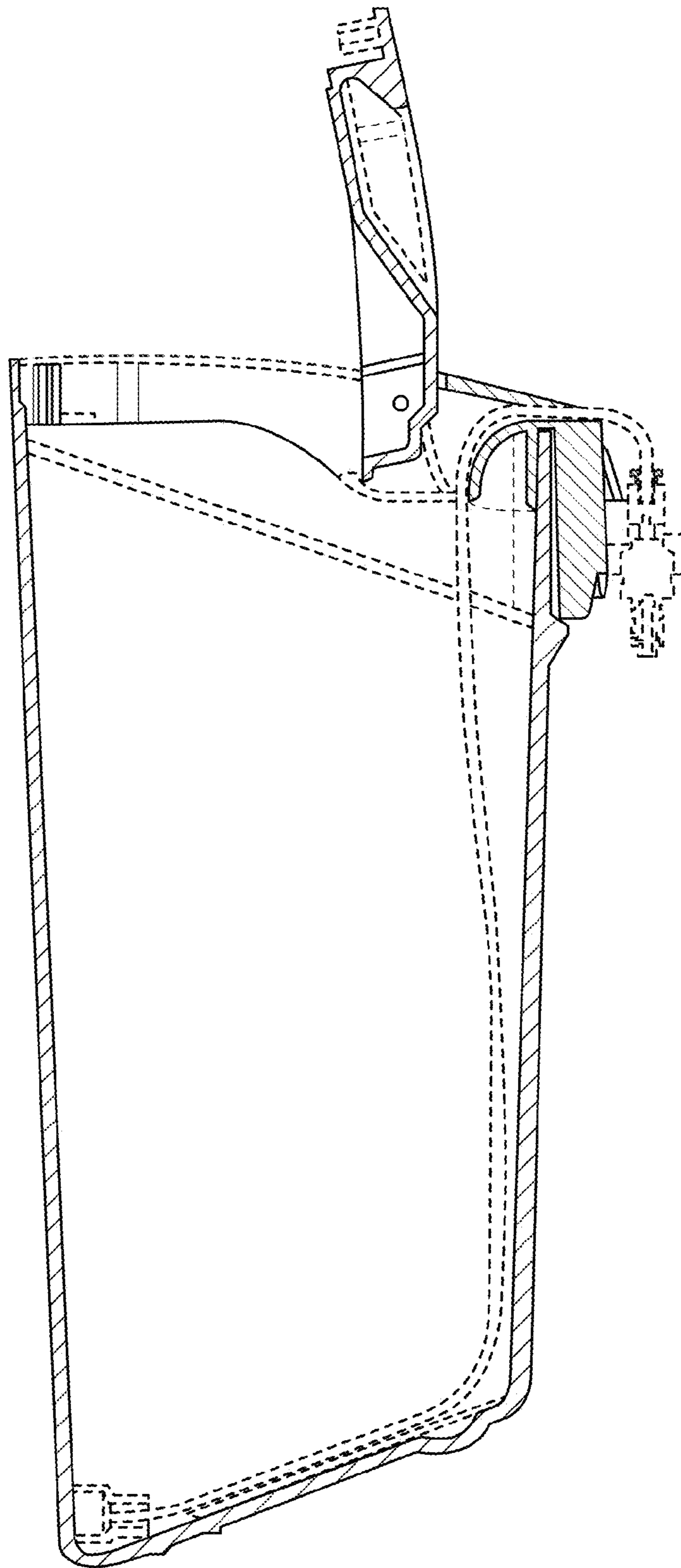


FIG. 4

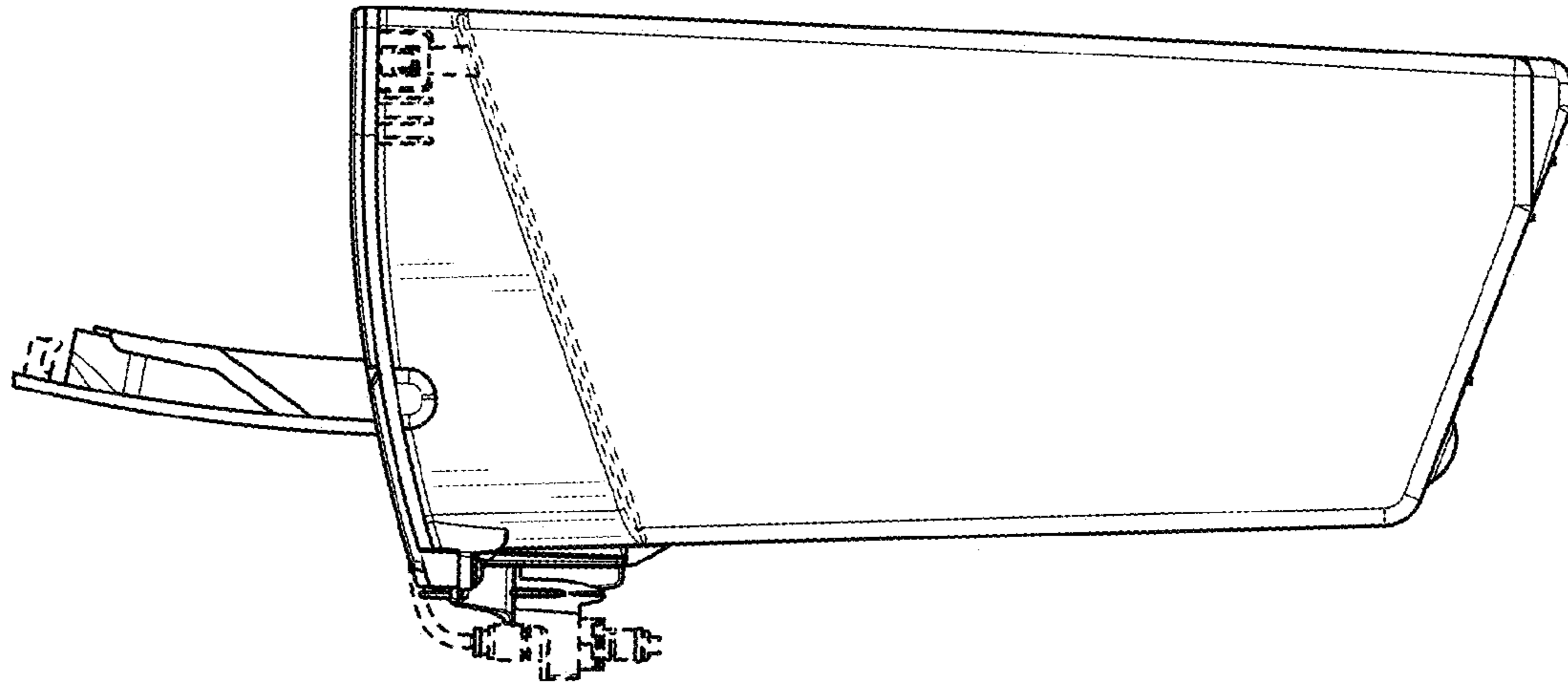


FIG. 6

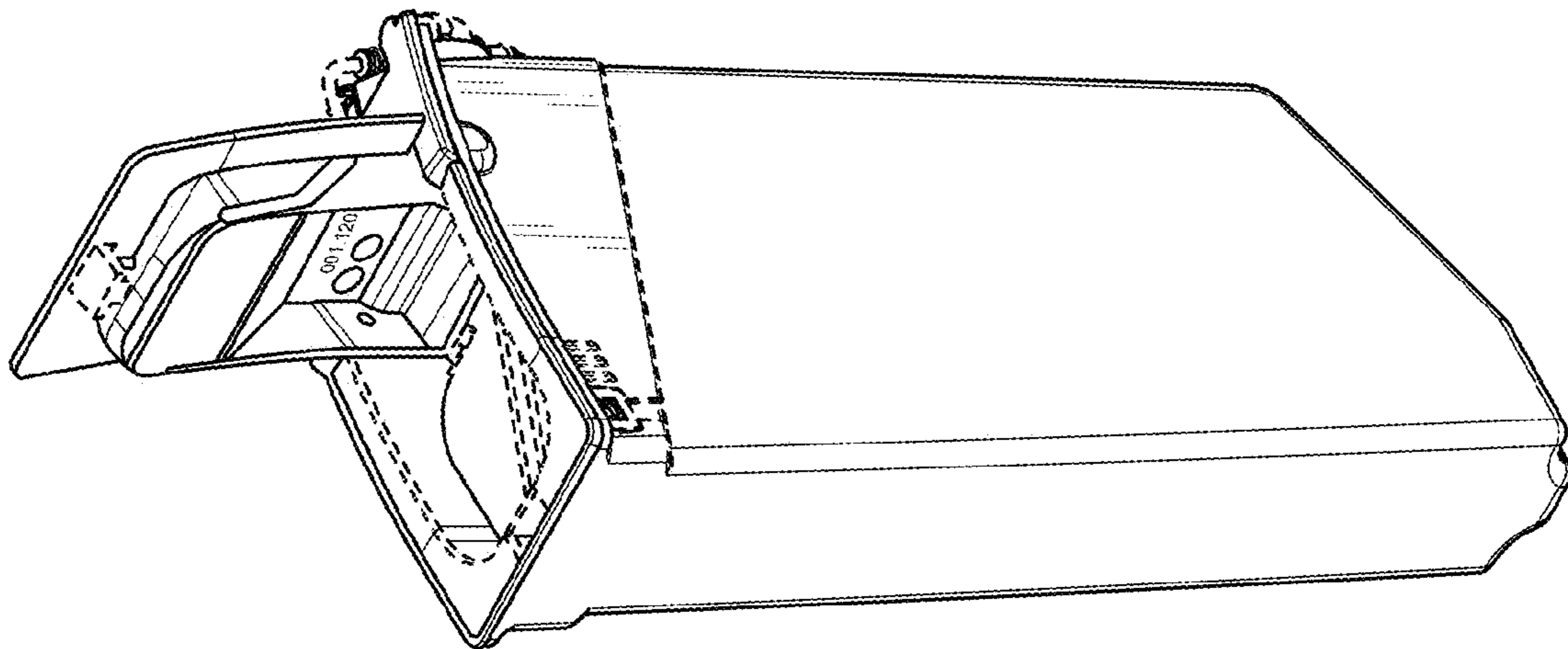


FIG. 5

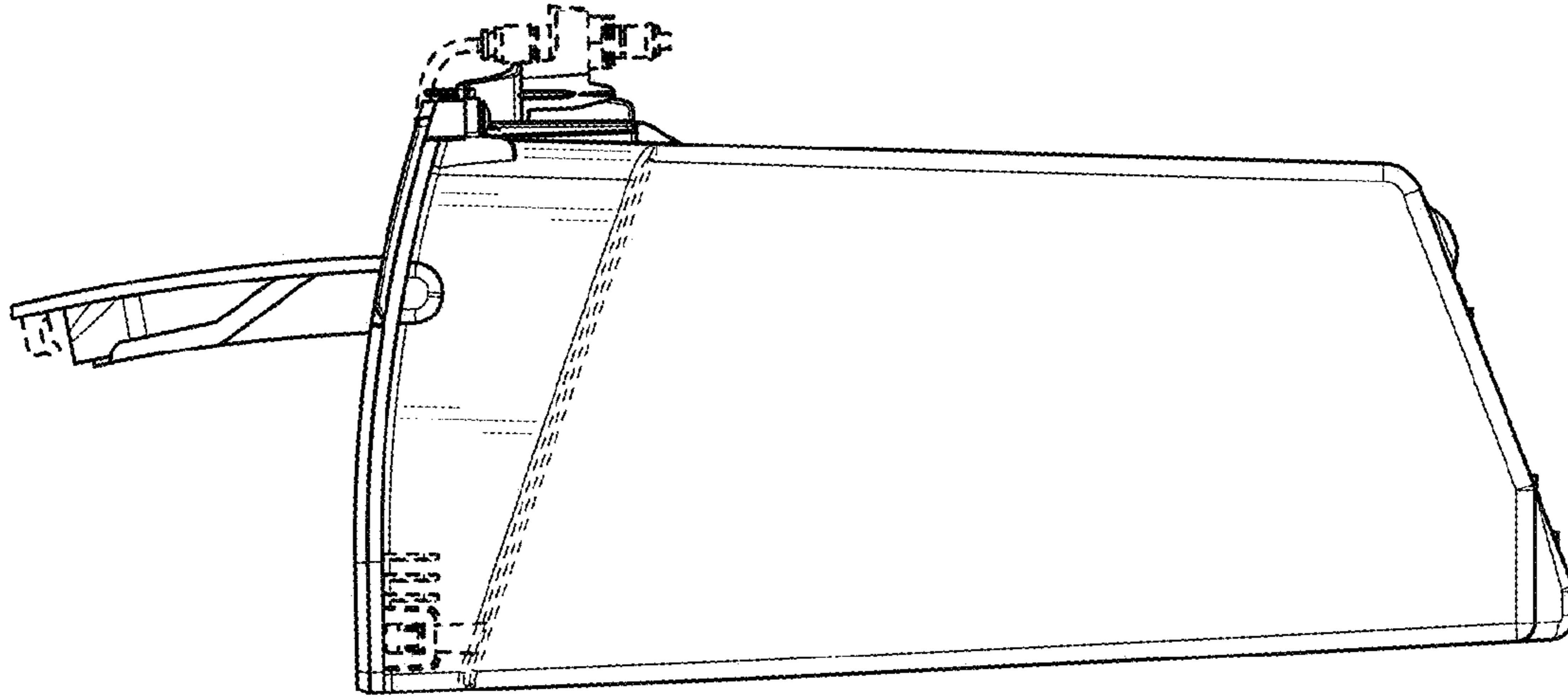


FIG. 8

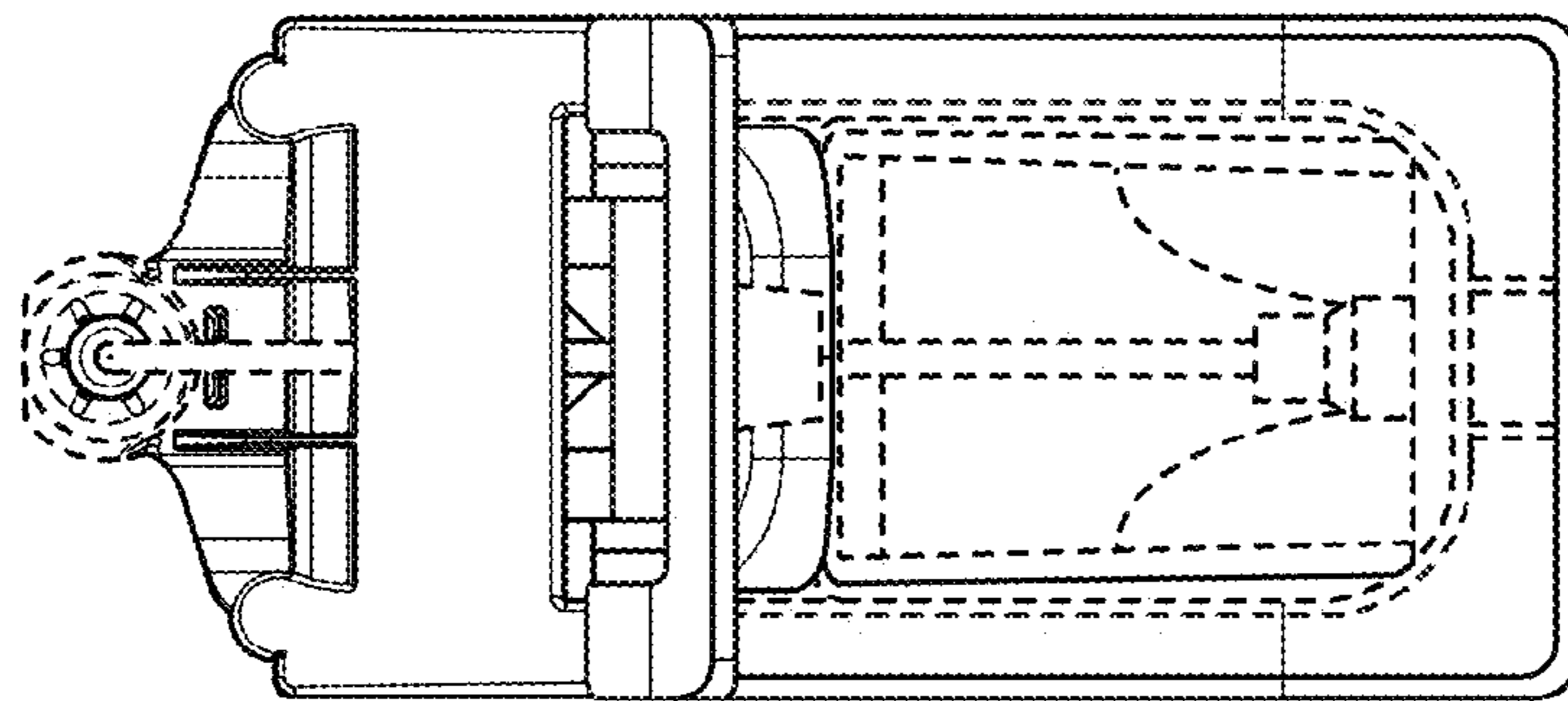


FIG. 7

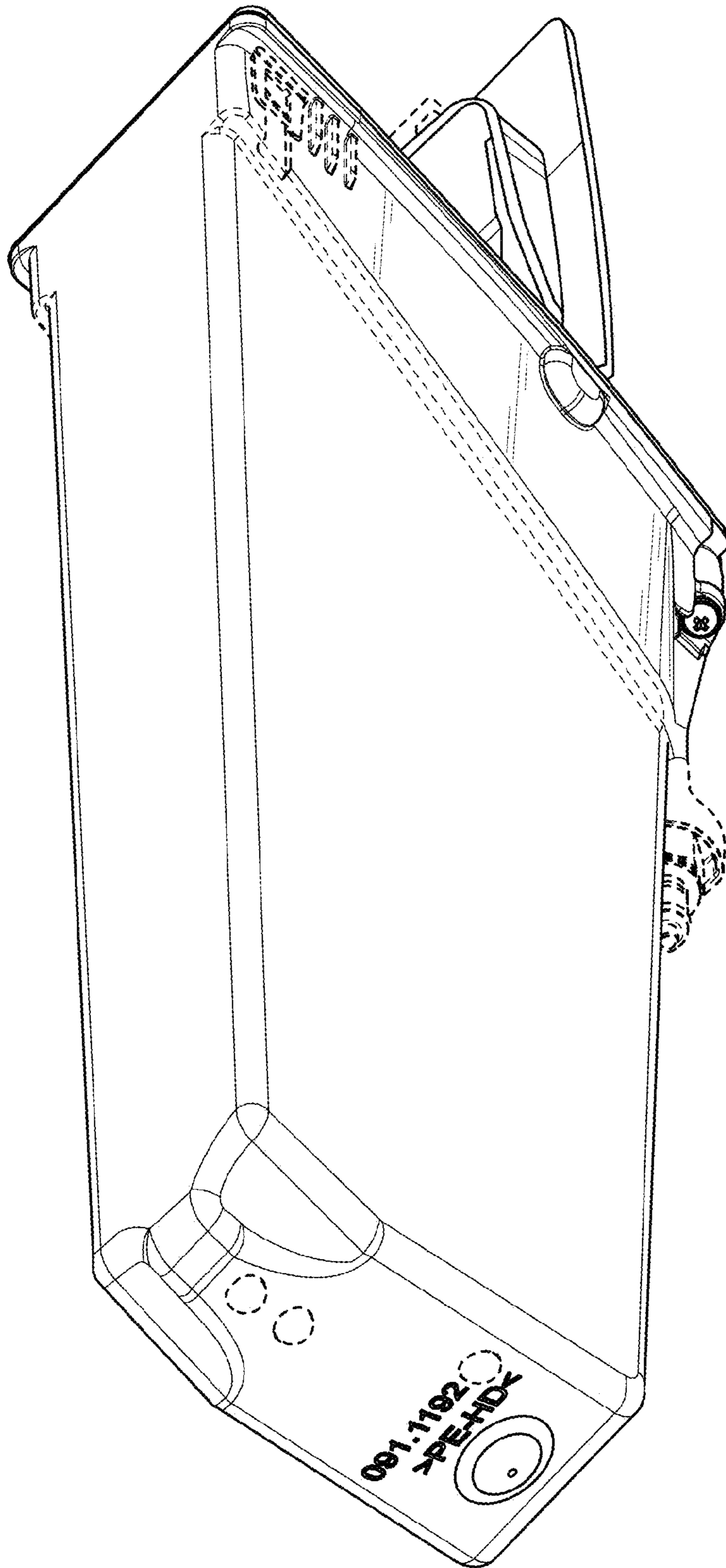


FIG. 9