



US00D975308S

(12) **United States Design Patent** (10) **Patent No.:** **US D975,308 S**
Frenkler et al. (45) **Date of Patent:** **** Jan. 10, 2023**

(54) **AUTOMATIC URINE ANALYZER**

(71) Applicant: **ARKRAY, Inc.**, Kyoto (JP)

(72) Inventors: **Fritz Frenkler**, Munich (DE); **Junji Kawabe**, Kyoto (JP); **Shinsui Murakami**, Kyoto (JP)

(73) Assignee: **ARKRAY, Inc.**, Kyoto (JP)

(**) Term: **15 Years**

(21) Appl. No.: **29/755,058**

(22) Filed: **Oct. 16, 2020**

(30) **Foreign Application Priority Data**

Apr. 30, 2020 (JP) 2020-008854 D

(51) **LOC (14) Cl.** **24-01**

(52) **U.S. Cl.**
USPC **D24/216; D24/186**

(58) **Field of Classification Search**
USPC D24/107, 169, 186, 216, 224, 231, 232;
D10/81
CPC G01N 33/48708; G01N 33/48785; G01N 33/493; G01N 33/569; G01N 35/00029; G01N 2035/00118; G01N 2035/00306; G01N 2035/00326; G01N 2035/00891
See application file for complete search history.

(56) **References Cited**

U.S. PATENT DOCUMENTS

D285,114 S * 8/1986 Collister D24/216
D359,357 S * 6/1995 Bigler D24/231
D369,216 S * 4/1996 Micinski D24/186

D369,864 S * 5/1996 Petersen D24/231
D376,651 S * 12/1996 Paloian D24/186
5,724,148 A * 3/1998 Howard, III G01N 33/493
356/402
D494,279 S * 8/2004 Cogan D24/216
D585,993 S * 2/2009 Kousuge D24/186
D647,621 S * 10/2011 Lee D24/186
8,940,247 B2 * 1/2015 Uehata G01N 35/00029
422/430
10,823,746 B1 * 11/2020 Busa G01N 33/54366
D934,431 S * 10/2021 Tsuruoka D24/186
2007/0264157 A1 * 11/2007 Takagi G01N 21/8483
422/63
2022/0099583 A1 * 3/2022 Kim G01N 33/493

* cited by examiner

Primary Examiner — Anhdao Doan

(74) *Attorney, Agent, or Firm* — Studebaker & Brackett PC

(57) **CLAIM**

The ornamental design for an automatic urine analyzer, as shown and described.

DESCRIPTION

FIG. 1 is a perspective view of an automatic urine analyzer, showing the new design;
FIG. 2 is a top view thereof;
FIG. 3 is a front view thereof;
FIG. 4 is a rear view thereof;
FIG. 5 is a right side view thereof;
FIG. 6 is a left side view thereof; and,
FIG. 7 is a bottom view thereof.
The broken lines illustrate portions of the automatic urine analyzer that form no part of the claimed design.

1 Claim, 7 Drawing Sheets

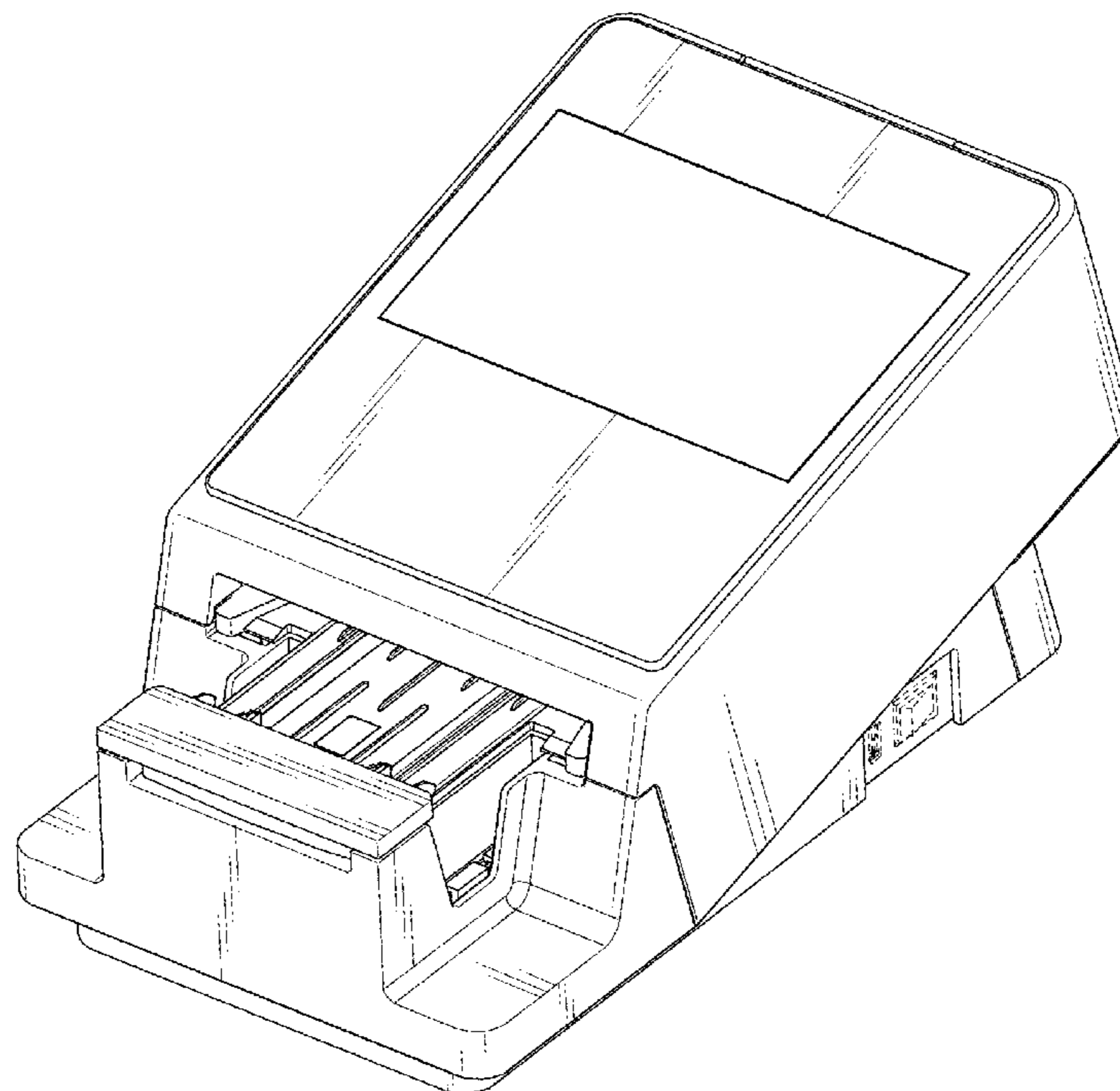


FIG.1

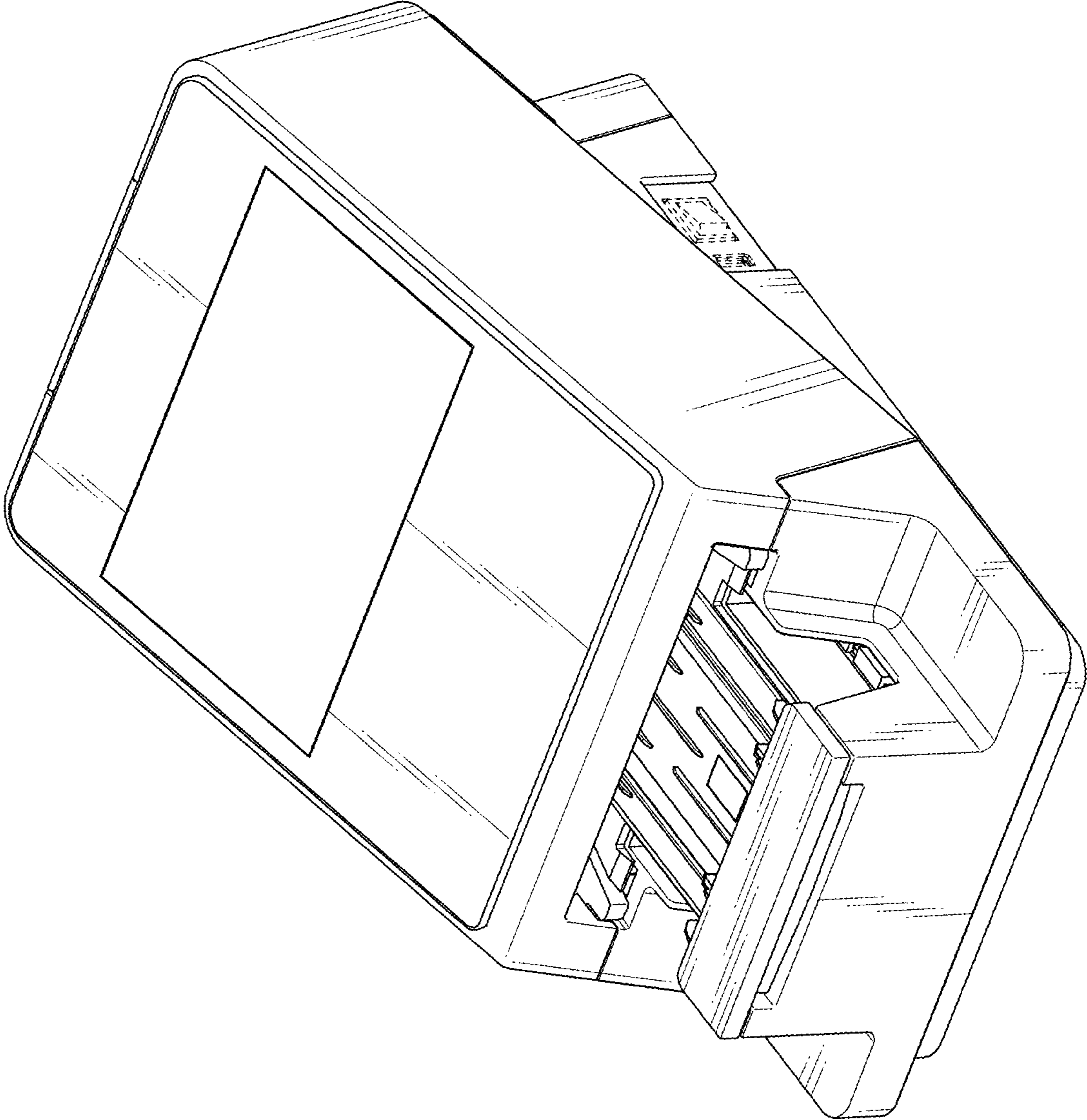


FIG.2

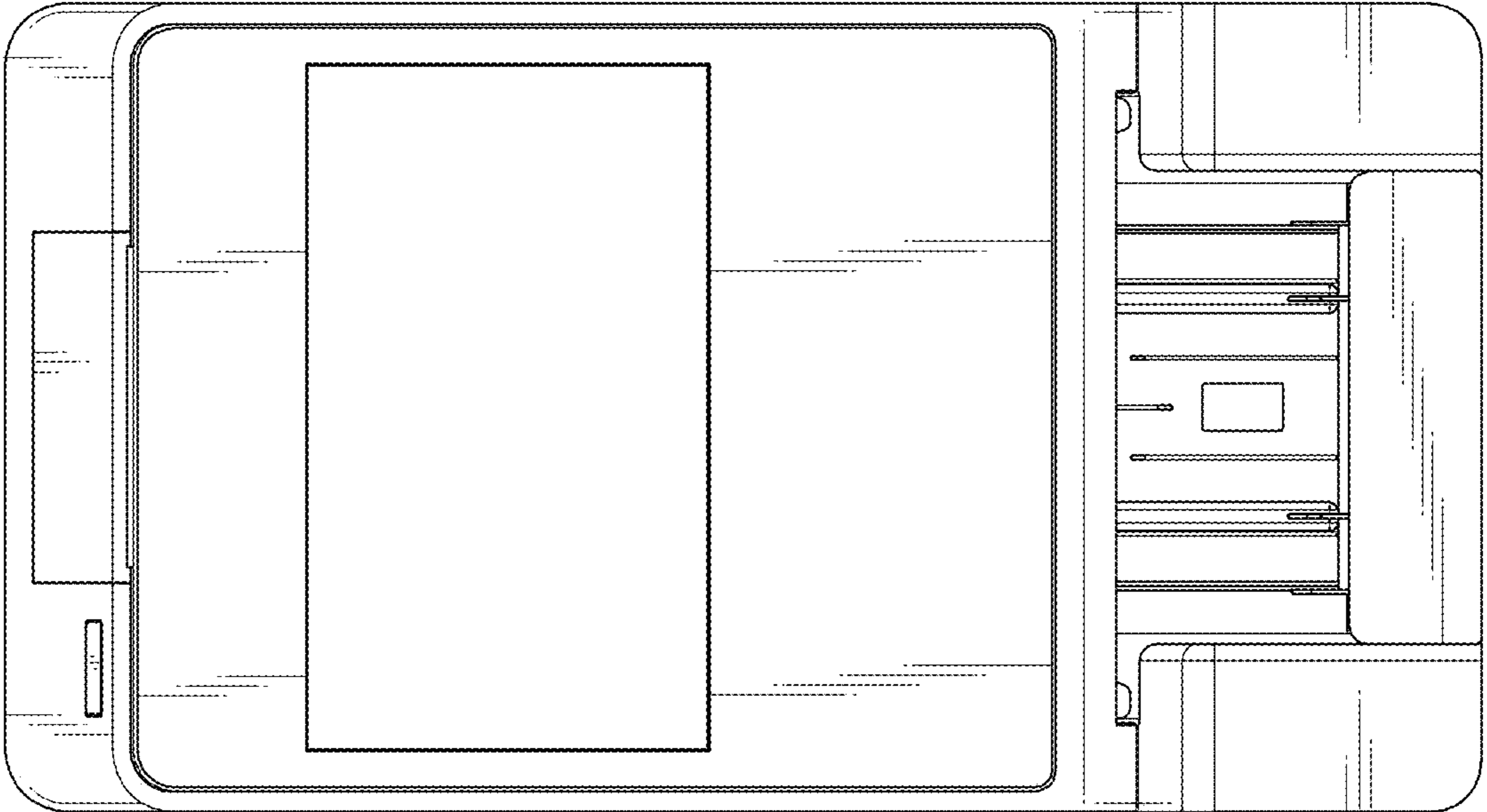


FIG.3

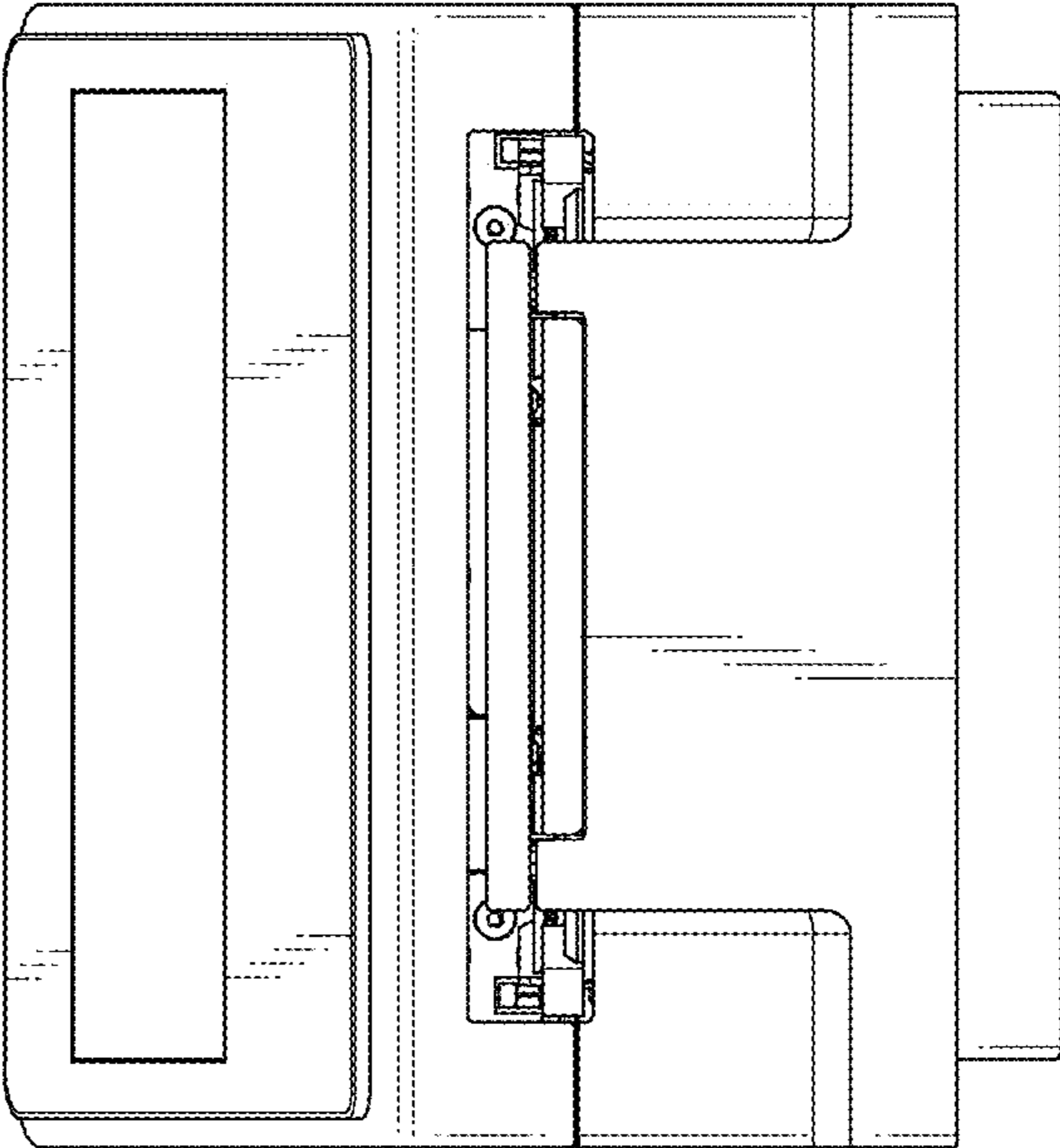


FIG.4

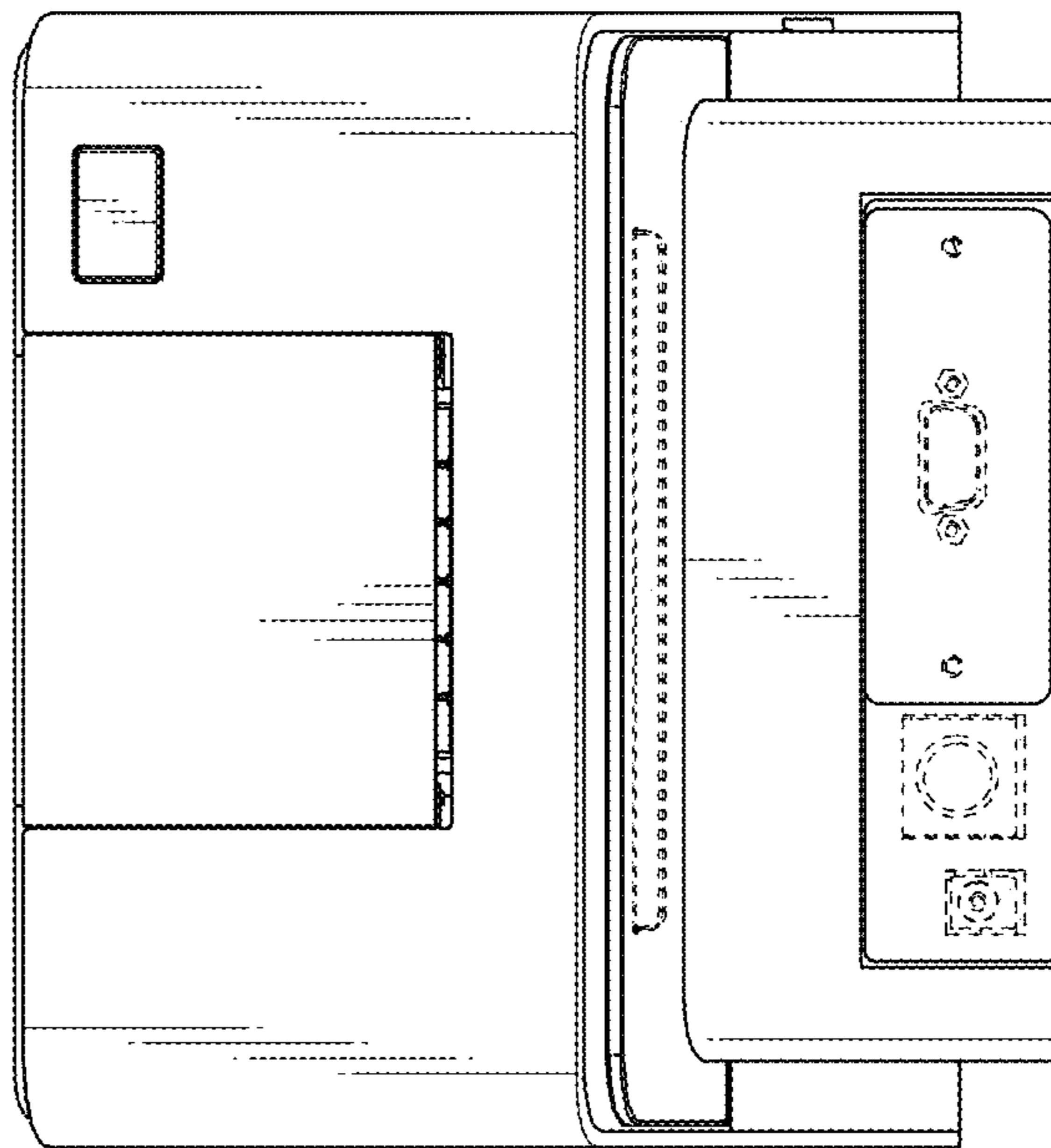


FIG.5

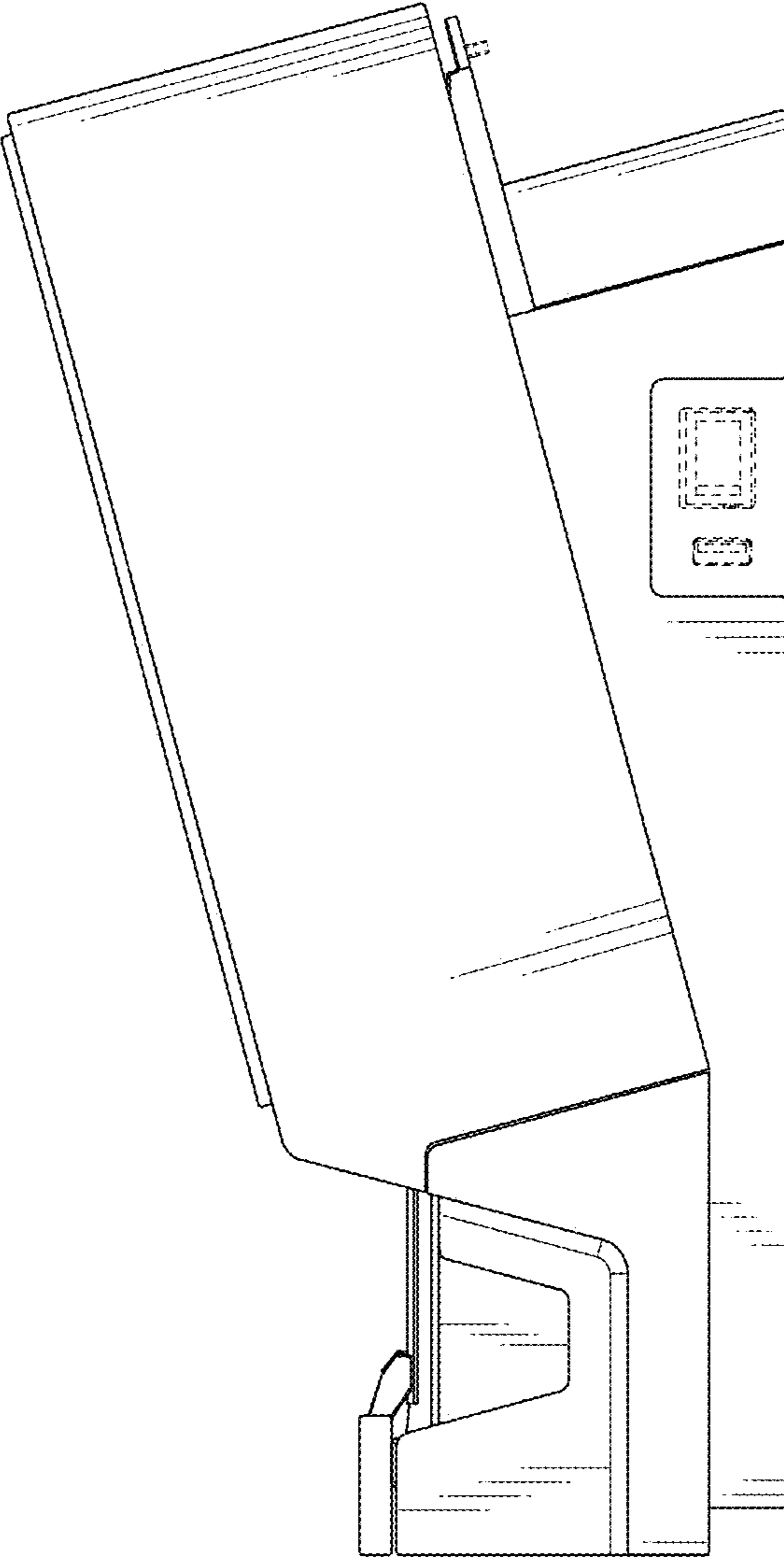


FIG.6

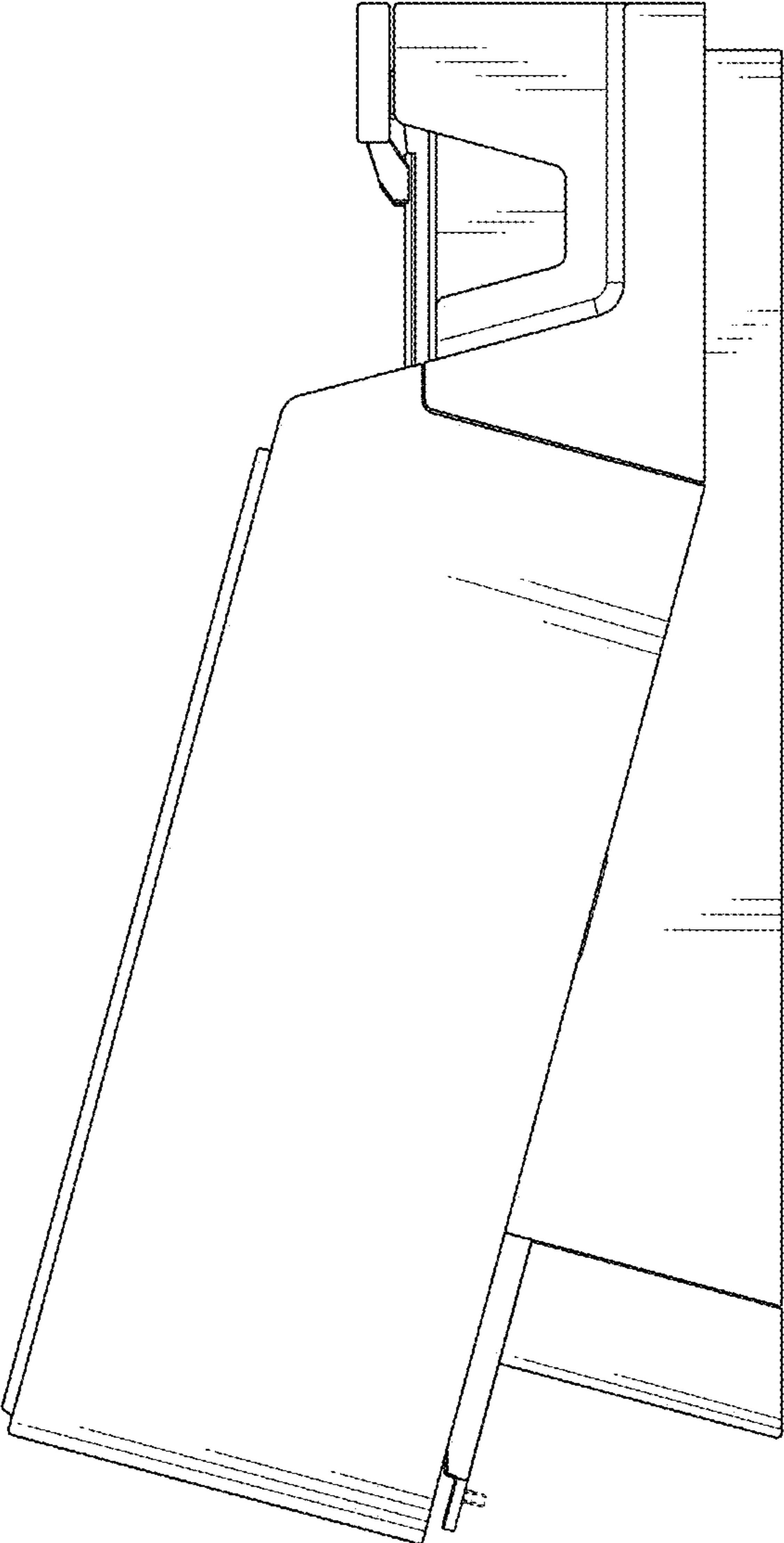


FIG.7

