



US00D975304S

(12) **United States Design Patent** (10) **Patent No.:** **US D975,304 S**
Solana et al. (45) **Date of Patent:** **** Jan. 10, 2023**

(54) **MESSAGE ATTACHMENT**
(71) Applicant: **Therabody, Inc.**, Los Angeles, CA
(US)

D907,792 S 1/2021 Marton
D928,334 S * 8/2021 Chou D24/215
D931,492 S * 9/2021 Li D24/215

(72) Inventors: **Jaime Sanchez Solana**, Los Angeles,
CA (US); **Jason Wersland**, Los
Angeles, CA (US)

FOREIGN PATENT DOCUMENTS
CN 303370958 9/2015
CN 305377850 10/2019
CN 306029591 9/2020
(Continued)

(73) Assignee: **Therabody, Inc.**, Los Angeles, CA
(US)

(**) Term: **15 Years**

(21) Appl. No.: **29/813,079**

(22) Filed: **Oct. 26, 2021**

(51) **LOC (14) Cl.** **28-03**

(52) **U.S. Cl.**
USPC **D24/215**

(58) **Field of Classification Search**
USPC D24/200, 211, 212, 213, 214, 215;
D26/113, 154; D8/300, 378; D9/434,
D9/443; D11/181
CPC A61H 2015/0014; A61H 2015/0042; A61H
23/006; A61H 33/6089; A61H 7/007
See application file for complete search history.

(56) **References Cited**

U.S. PATENT DOCUMENTS

D492,791 S 7/2004 Alexander
7,481,783 B1 1/2009 Kelley
D611,159 S 3/2010 Cole
D627,897 S 11/2010 Yde
D699,367 S 2/2014 Lee
D725,790 S * 3/2015 Givord D24/214
D844,799 S 4/2019 Kim
D845,499 S 4/2019 Wersland
D865,192 S * 10/2019 Nazarian D24/200
D896,393 S * 9/2020 Wersland D24/211

OTHER PUBLICATIONS
Amazon, "Jigsaw Massage Adapter bit Massage Ball of Percussion Attachment Tool for Soft Tissue, Deep Tissue, Trigger Point, Massage Gun Tips (6pcs)", Oct. 20, 2021. <https://www.amazon.com/Massage-Adapter-Percussion-Attachment-Trigger/dp/B0816HWLY1>. Shown on p. 1. (Year: 2021).
(Continued)

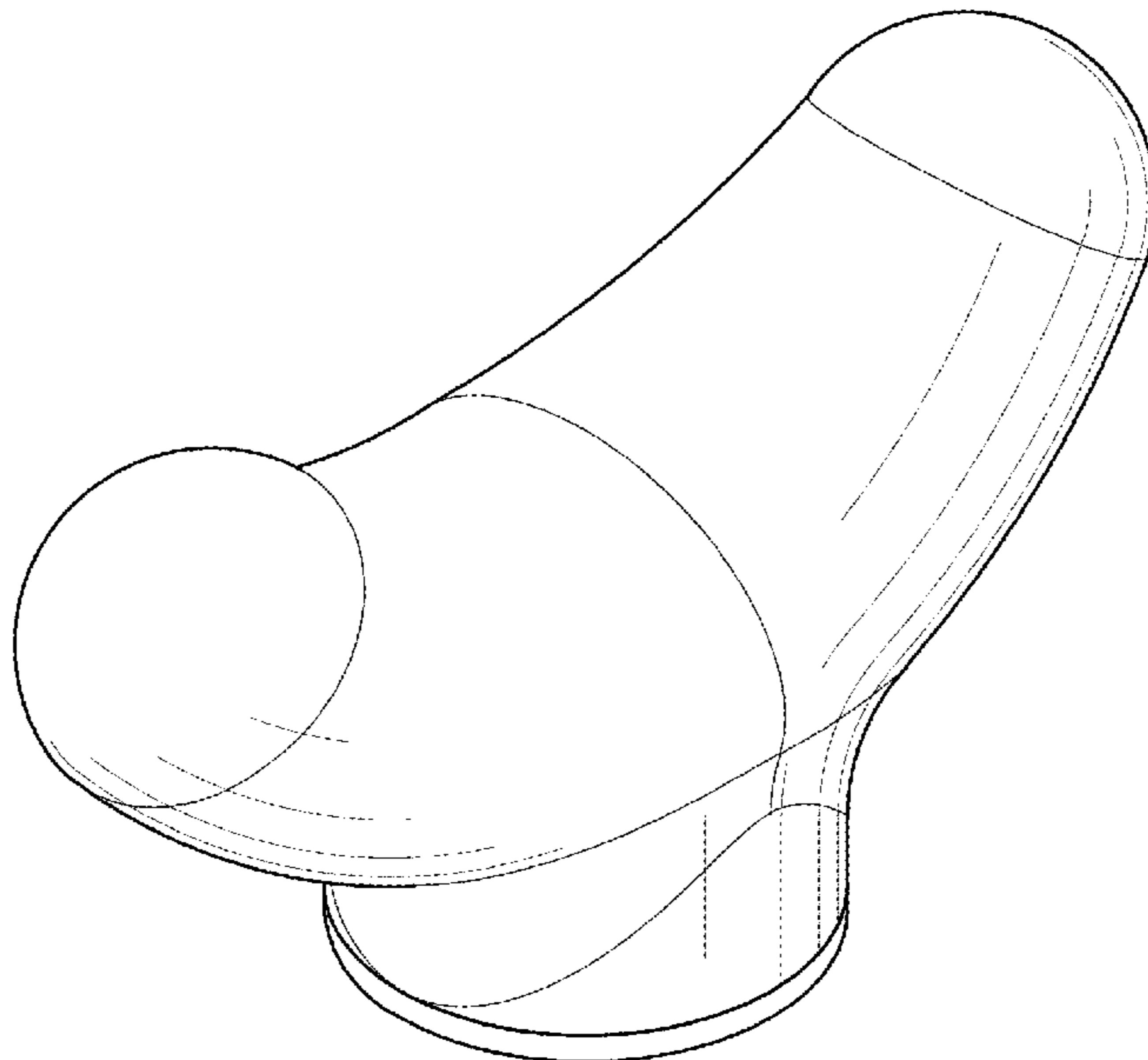
Primary Examiner — Michael A Maharajh
(74) Attorney, Agent, or Firm — Sterne, Kessler,
Goldstein & Fox P.L.L.C.

(57) **CLAIM**
The ornamental design for a massage attachment, as shown and described.

DESCRIPTION

FIG. 1 is a top perspective view of a massage attachment showing the claimed design;
FIG. 2 is a front elevational view thereof, the rear elevational view being a mirror image thereof;
FIG. 3 is a right side elevational view thereof, the left side elevational view being a mirror image thereof;
FIG. 4 is a top plan view thereof;
FIG. 5 is a bottom plan view thereof; and,
FIG. 6 is a bottom perspective view thereof.
The broken lines in the figures show portions of the massage attachment that form no part of the claimed design.

1 Claim, 4 Drawing Sheets



(56)

References Cited

FOREIGN PATENT DOCUMENTS

CN	306225992	12/2020
CN	306270169	1/2021
CN	306446171	4/2021
CN	306554218	5/2021
CN	306590323	6/2021
CN	306755225	8/2021
CN	306764266	8/2021

OTHER PUBLICATIONS

Body Bolt, "5 massage head attachments Percussion Massage Device", Oct. 20, 2021. <https://thebodybolt.com/products/percussion-massage-device>. Shown on p. 1. (Year: 2021).

* cited by examiner

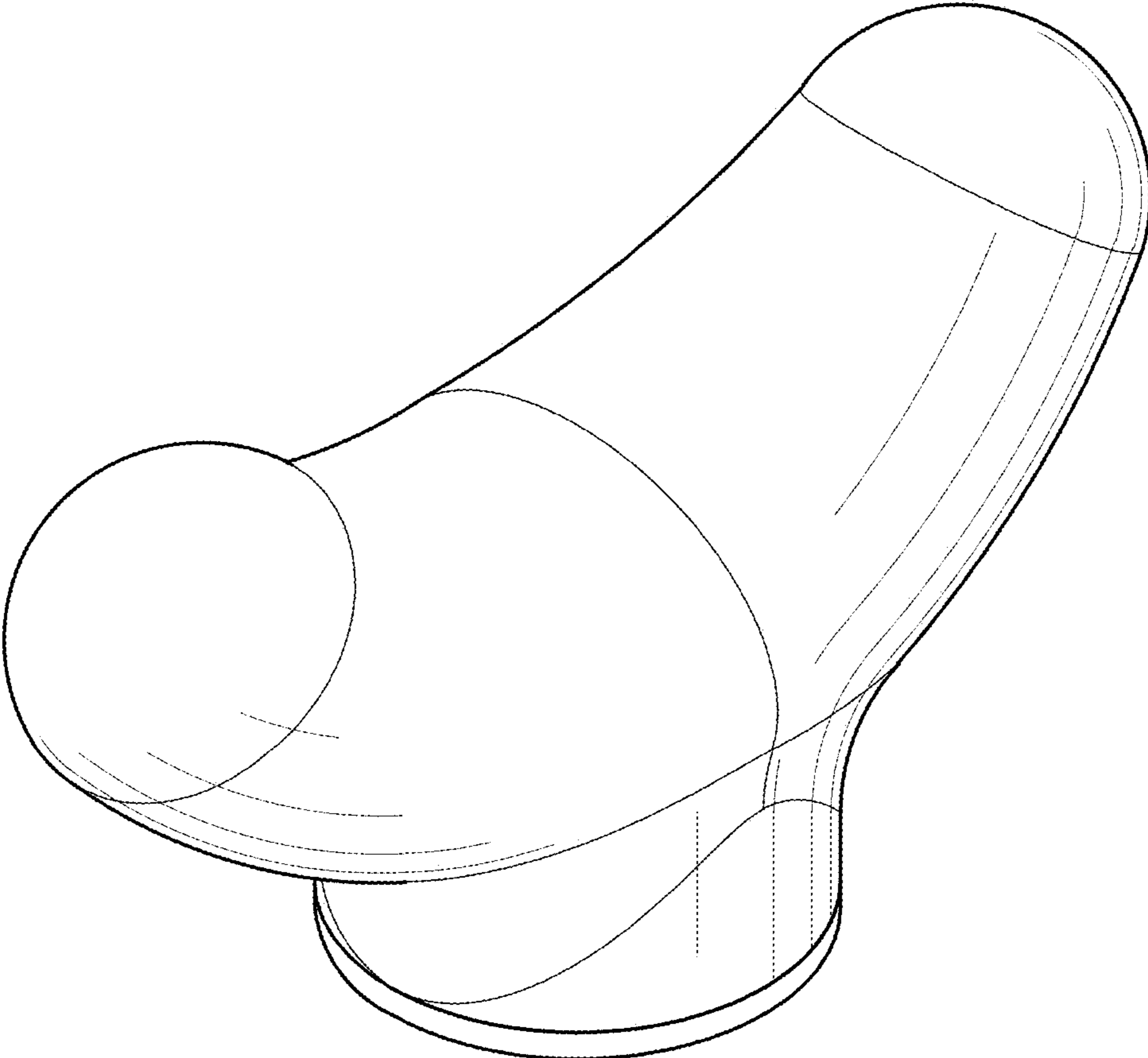


FIG. 1

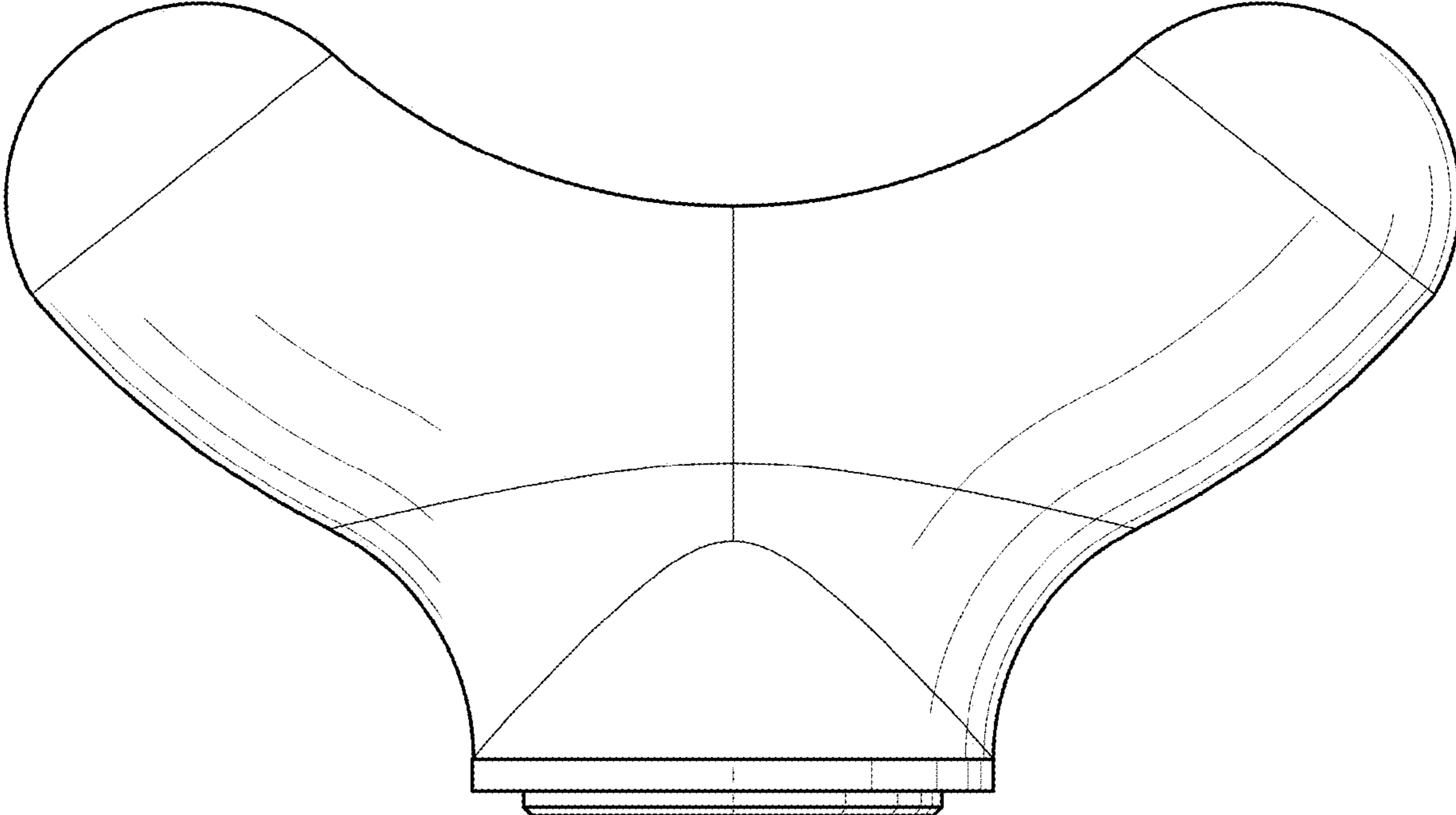


FIG. 2

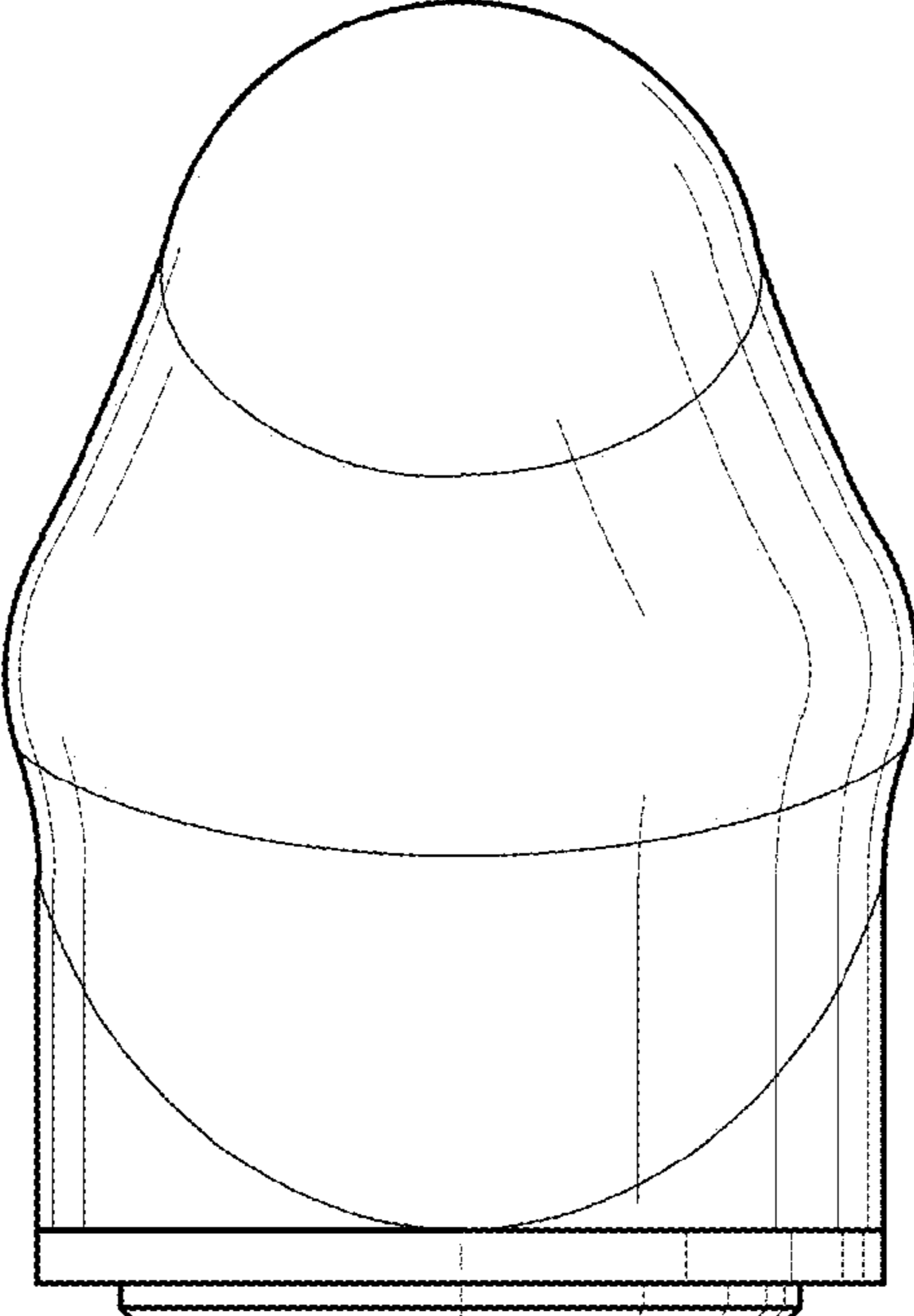


FIG. 3

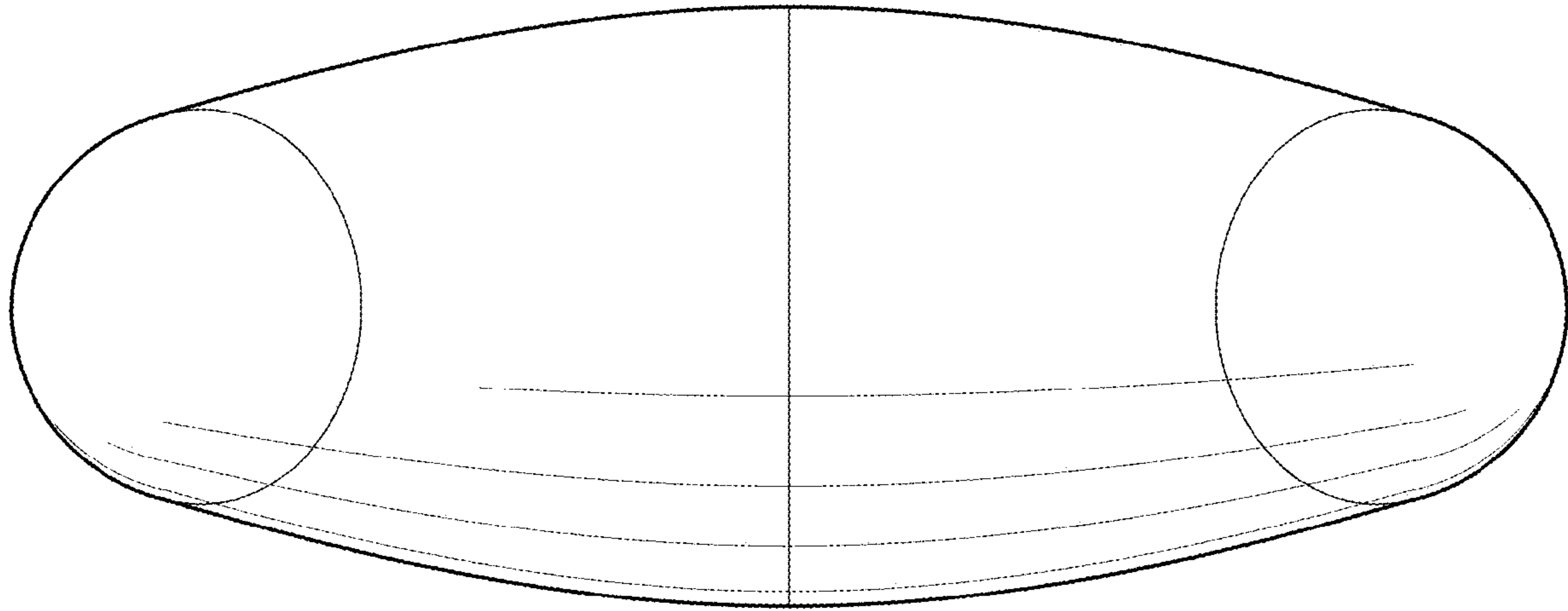


FIG. 4

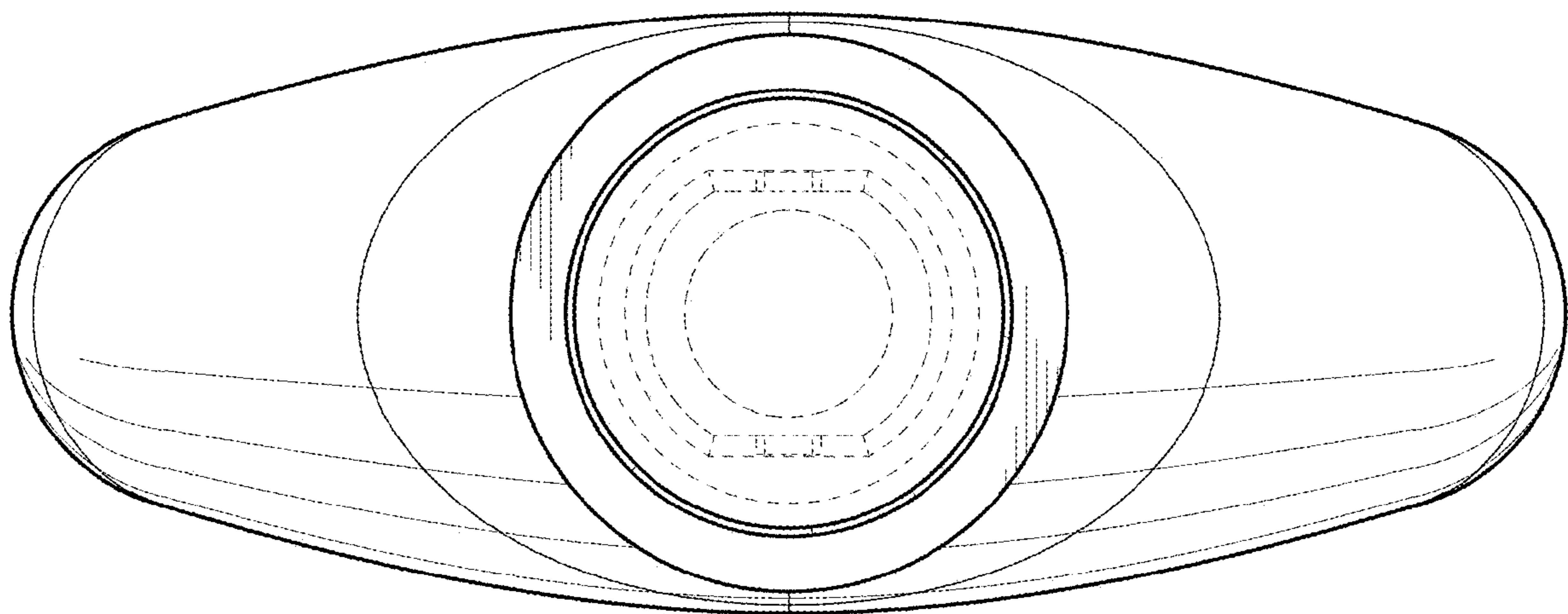


FIG. 5

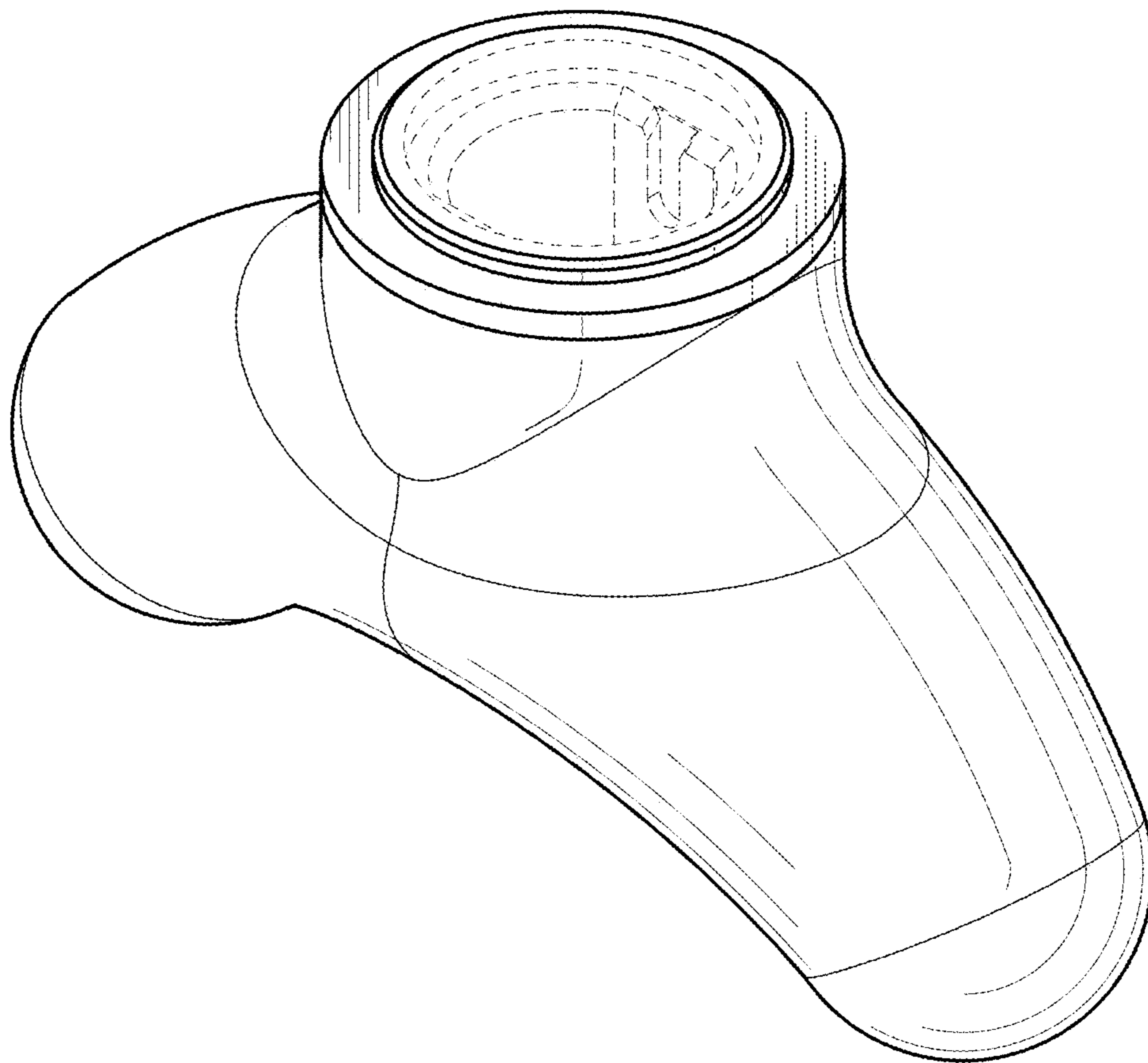


FIG. 6