



US00D975303S

(12) **United States Design Patent**  
**Chen et al.**

(10) **Patent No.: US D975,303 S**  
(45) **Date of Patent: \*\* Jan. 10, 2023**

(54) **MASSAGER HEAD**

(71) Applicant: **Wear Future Technologies Co., Ltd.**,  
Guangdong (CN)

(72) Inventors: **Zhiyu Chen**, Guangdong (CN); **Yuwei Zhang**, Guangdong (CN)

(73) Assignee: **WEAR FUTURE TECHNOLOGIES CO., LTD.**, Shenzhen (CN)

(\*\*) Term: **15 Years**

(21) Appl. No.: **29/787,491**

(22) Filed: **Jun. 7, 2021**

(30) **Foreign Application Priority Data**

Dec. 5, 2020 (CN) ..... 202030747654.7

(51) **LOC (14) Cl.** ..... **28-03**

(52) **U.S. Cl.**  
USPC ..... **D24/215**

(58) **Field of Classification Search**  
USPC ..... D24/200, 211, 212, 213, 214, 215;  
D26/113, 154; D8/300; D9/434, 443;  
D11/181  
CPC ..... A61H 2015/0014; A61H 7/007; A61H  
23/006; A61H 2015/0042; A61H 33/6089  
See application file for complete search history.

(56) **References Cited**

U.S. PATENT DOCUMENTS

D334,332 S \* 3/1993 Massey ..... D8/312  
D471,400 S \* 3/2003 Jeter ..... D7/396.1  
D820,992 S \* 6/2018 King ..... D8/354  
D837,395 S \* 1/2019 Gan ..... D24/214  
D865,987 S \* 11/2019 Jacobs ..... D24/214  
D872,295 S \* 1/2020 Friedman ..... D24/215  
D910,870 S \* 2/2021 Marton ..... D24/215  
D914,477 S \* 3/2021 Watson ..... D8/310

D931,492 S \* 9/2021 Li ..... D24/215  
D949,366 S \* 4/2022 Li ..... D24/211  
D949,418 S \* 4/2022 Khubani ..... D24/215  
D952,878 S \* 5/2022 Lin ..... D24/211  
D961,795 S \* 8/2022 Zhao ..... D24/215

OTHER PUBLICATIONS

Skg, "SKG F5", Access Date Oct. 6, 2022. <https://www.skg.com/products/f5-mini-massager-gun> (Year: 2022).  
Amazon, "Massage Gun\_SKG F5", Date First Available: Dec. 24, 2020. [https://www.amazon.com/dp/B08R91TMTW?th=1&linkCode=s11&tag=fox2209-20&linkId=e0e979ceec7fe4c3b8a9c4415fe25269&language=en\\_US&ref\\_=as\\_li\\_ss\\_tl](https://www.amazon.com/dp/B08R91TMTW?th=1&linkCode=s11&tag=fox2209-20&linkId=e0e979ceec7fe4c3b8a9c4415fe25269&language=en_US&ref_=as_li_ss_tl) (Year: 2020).  
Youtube, "SKG F5 Mini Massage Gun", Published Date: Feb. 4, 2021. <https://www.youtube.com/watch?v=p94WqAd05i0> (Year: 2021).\*

\* cited by examiner

*Primary Examiner* — Michael A Maharajh  
(74) *Attorney, Agent, or Firm* — Ladas & Parry LLP

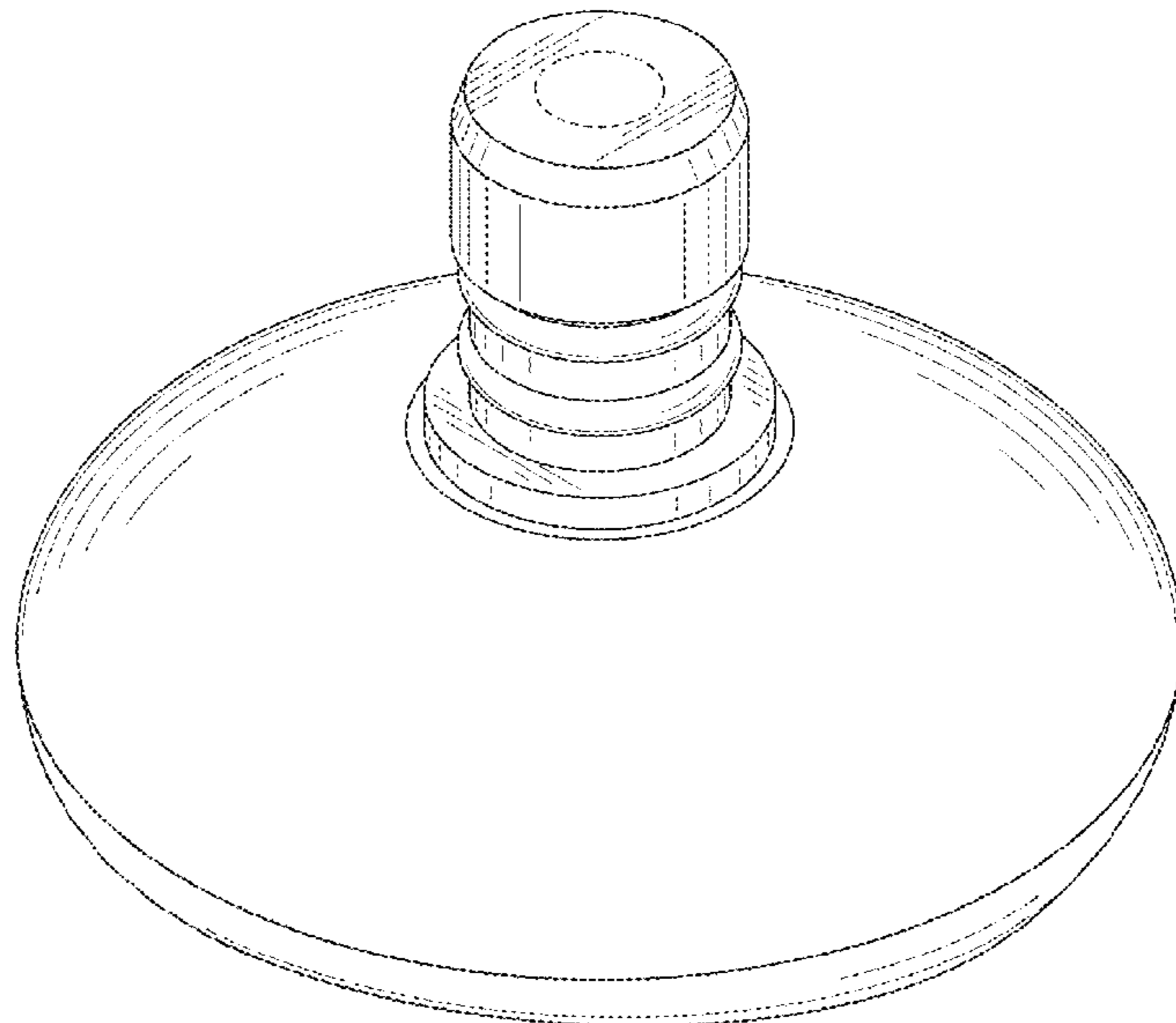
(57) **CLAIM**

The ornamental design for a massager head, as shown and described.

**DESCRIPTION**

FIG. 1 is a perspective view of a massager head showing our new design;  
FIG. 2 is another perspective view thereof;  
FIG. 3 is a front elevation view thereof;  
FIG. 4 is a rear elevation view thereof;  
FIG. 5 is a left side view thereof;  
FIG. 6 is a right side view thereof;  
FIG. 7 is a top view thereof; and,  
FIG. 8 is a bottom view thereof.  
The broken lines in the drawings are for the purpose of illustrating unclaimed portions of the massager head and form no part of the claimed design.

**1 Claim, 8 Drawing Sheets**



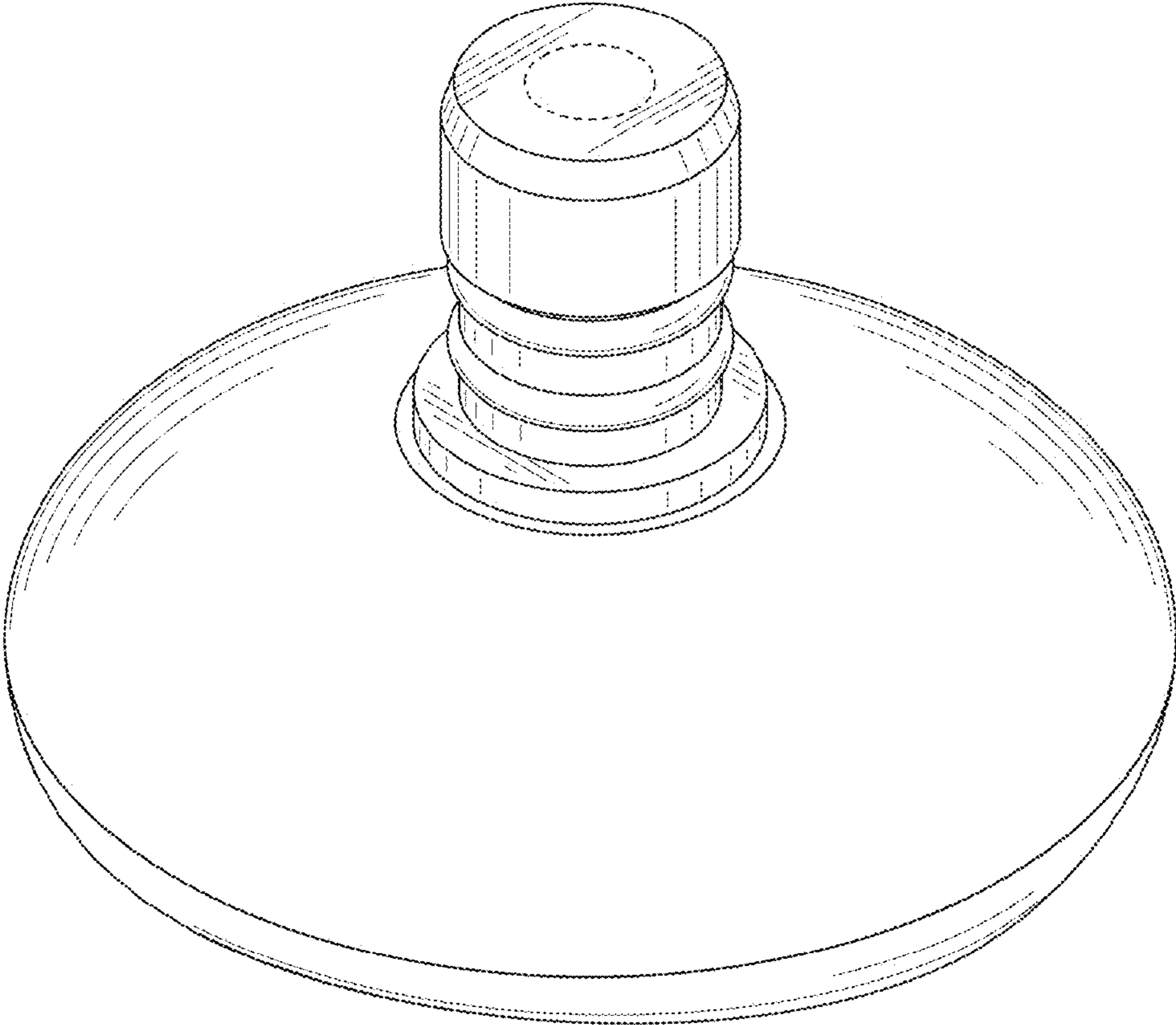


FIG. 1

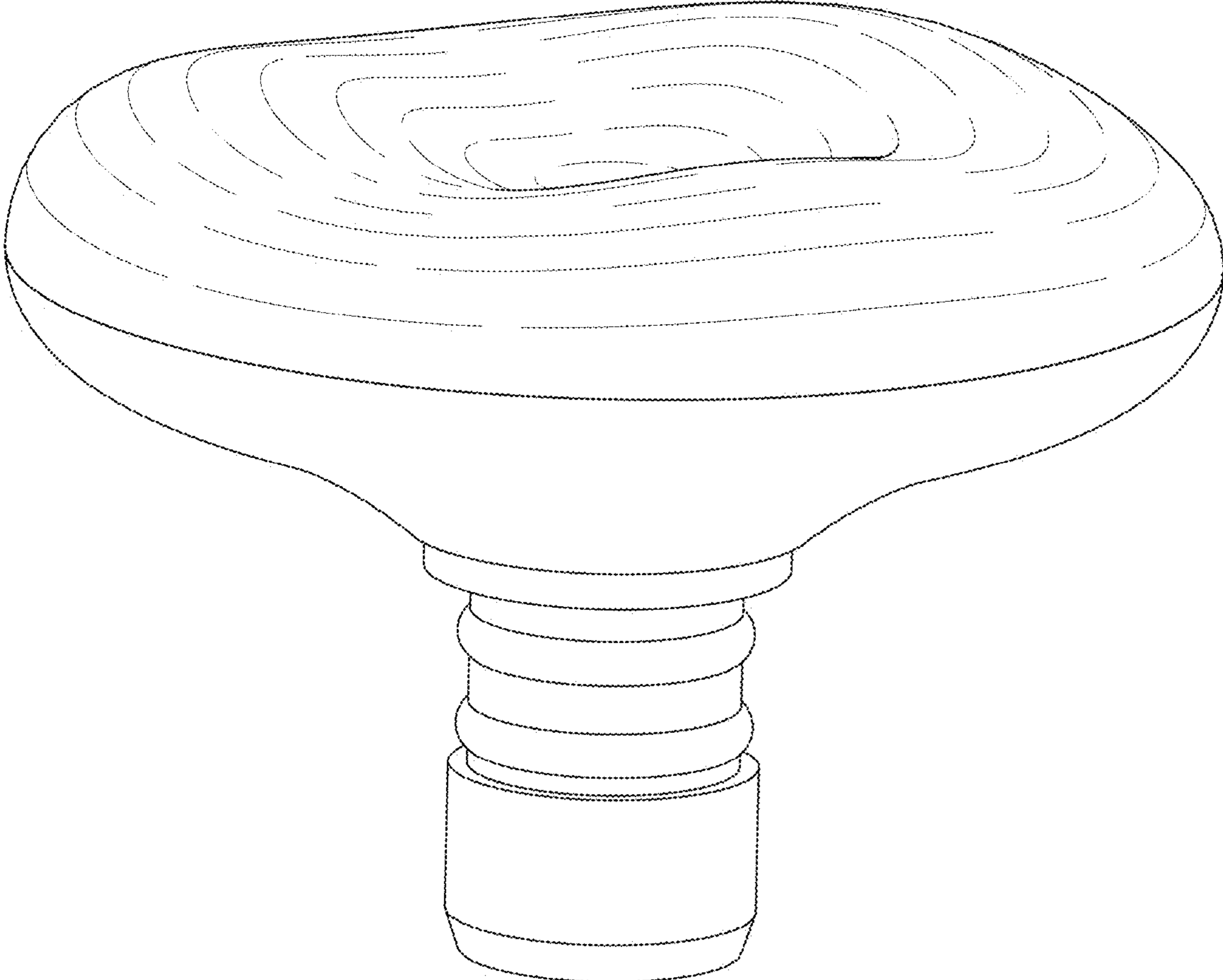


FIG. 2

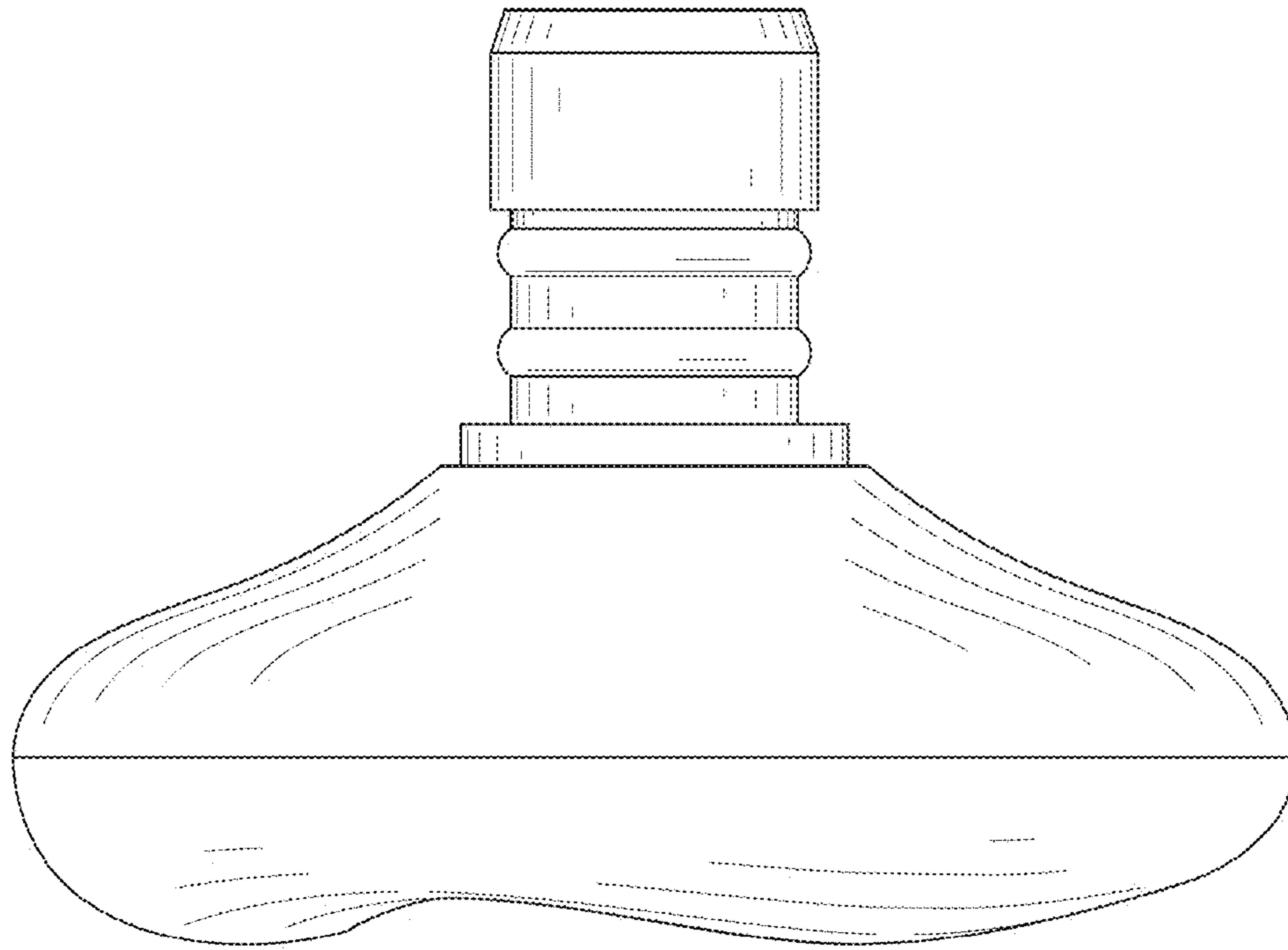


FIG. 3

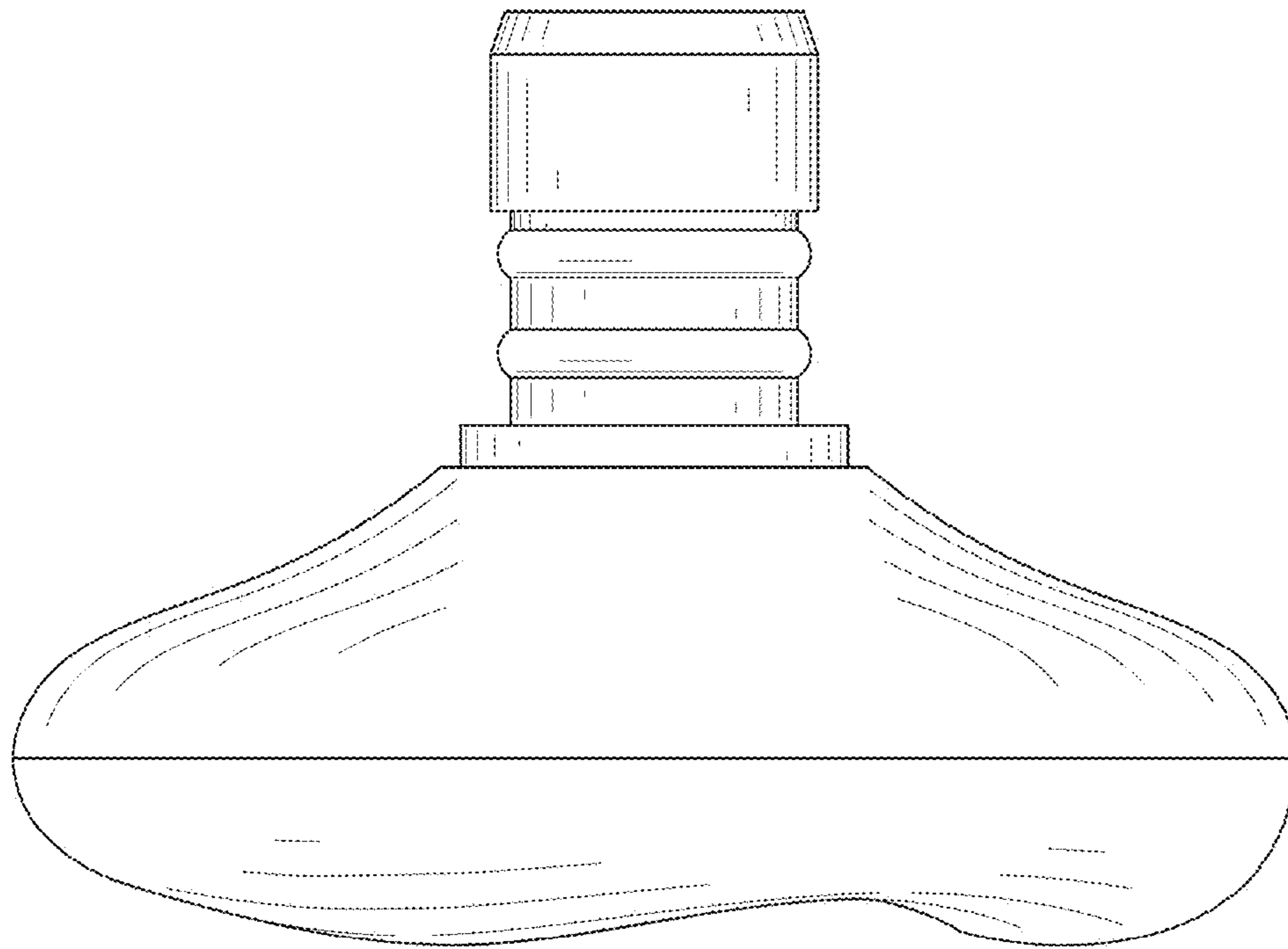


FIG. 4

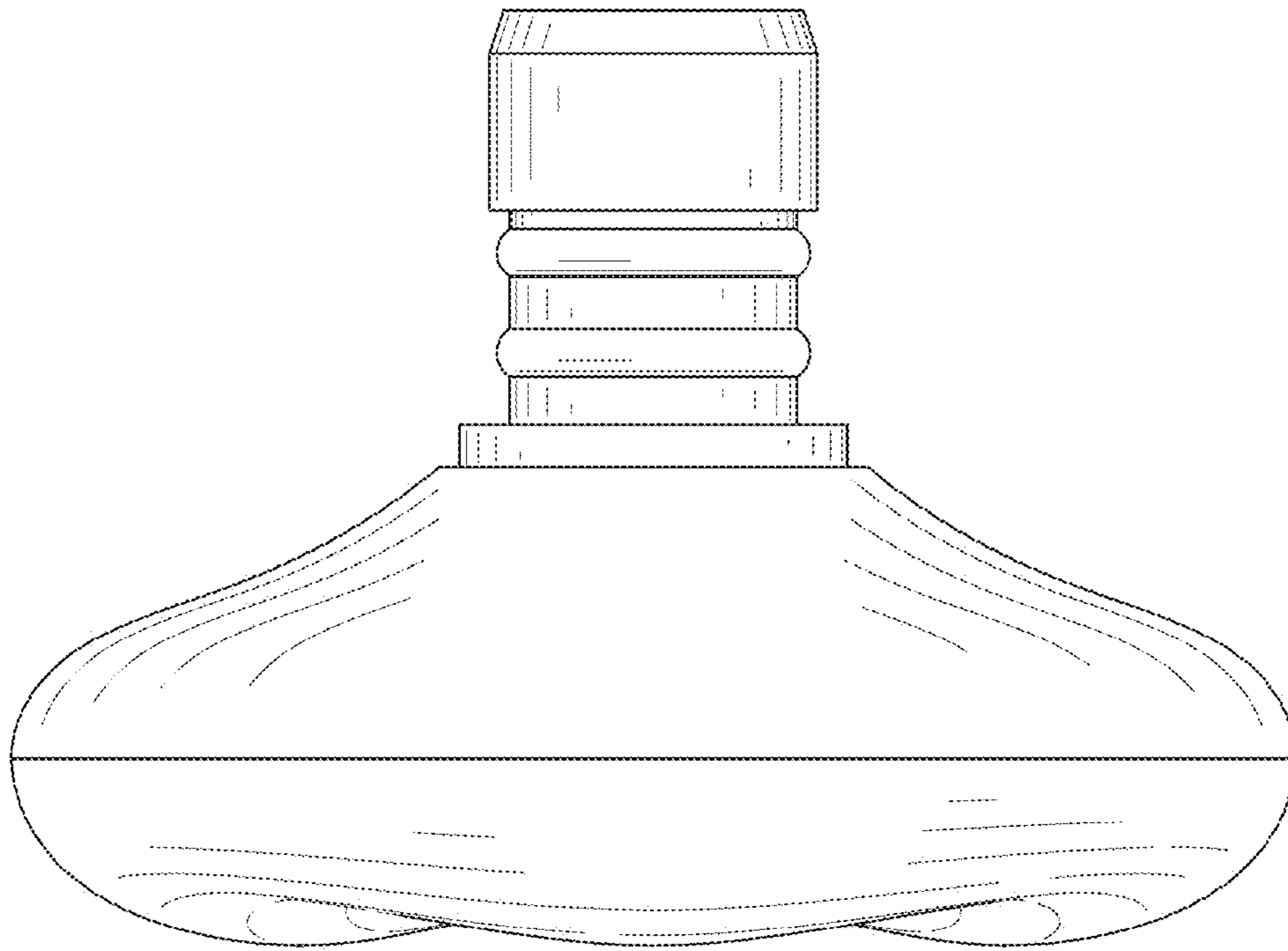


FIG. 5

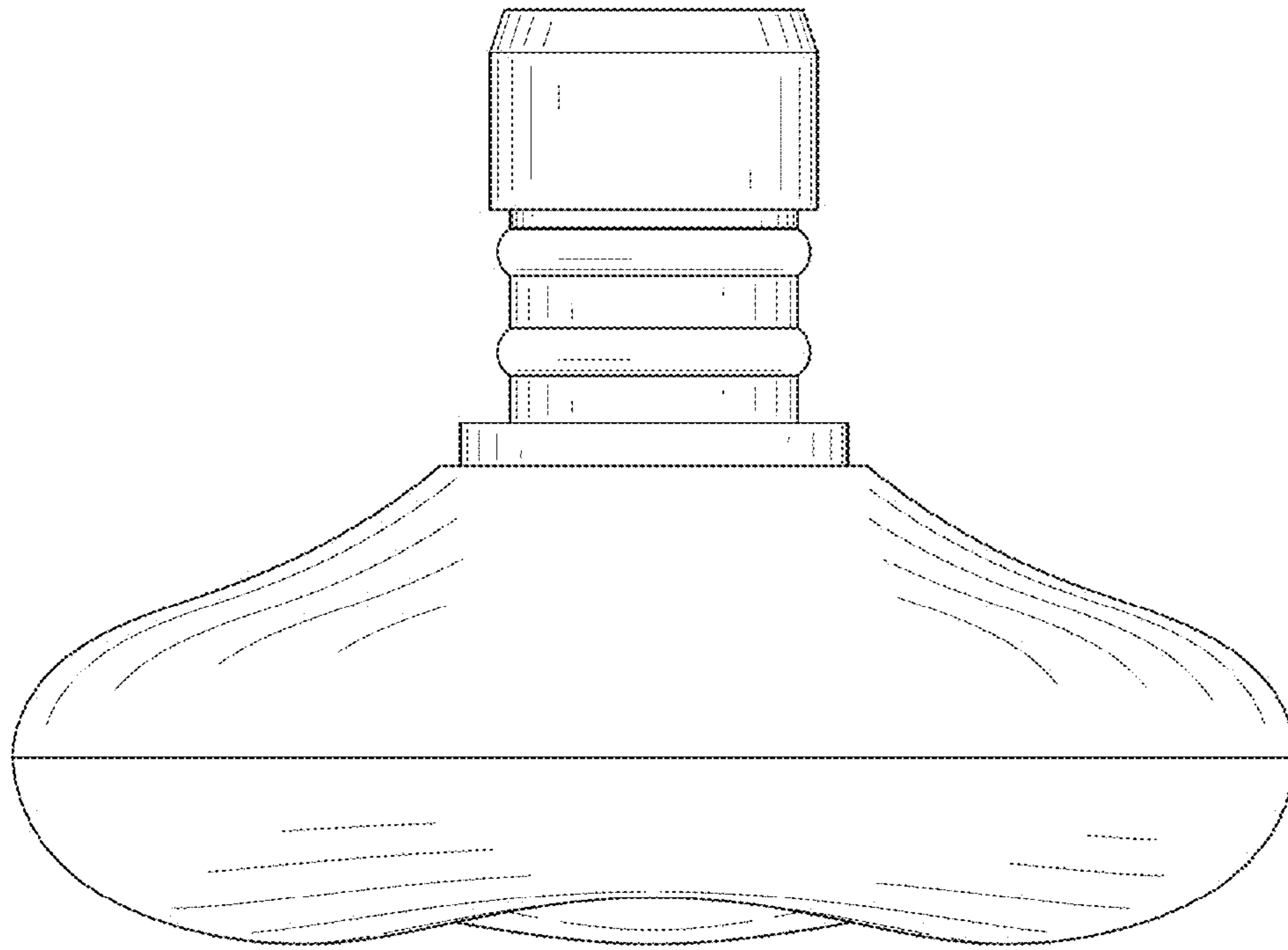


FIG. 6

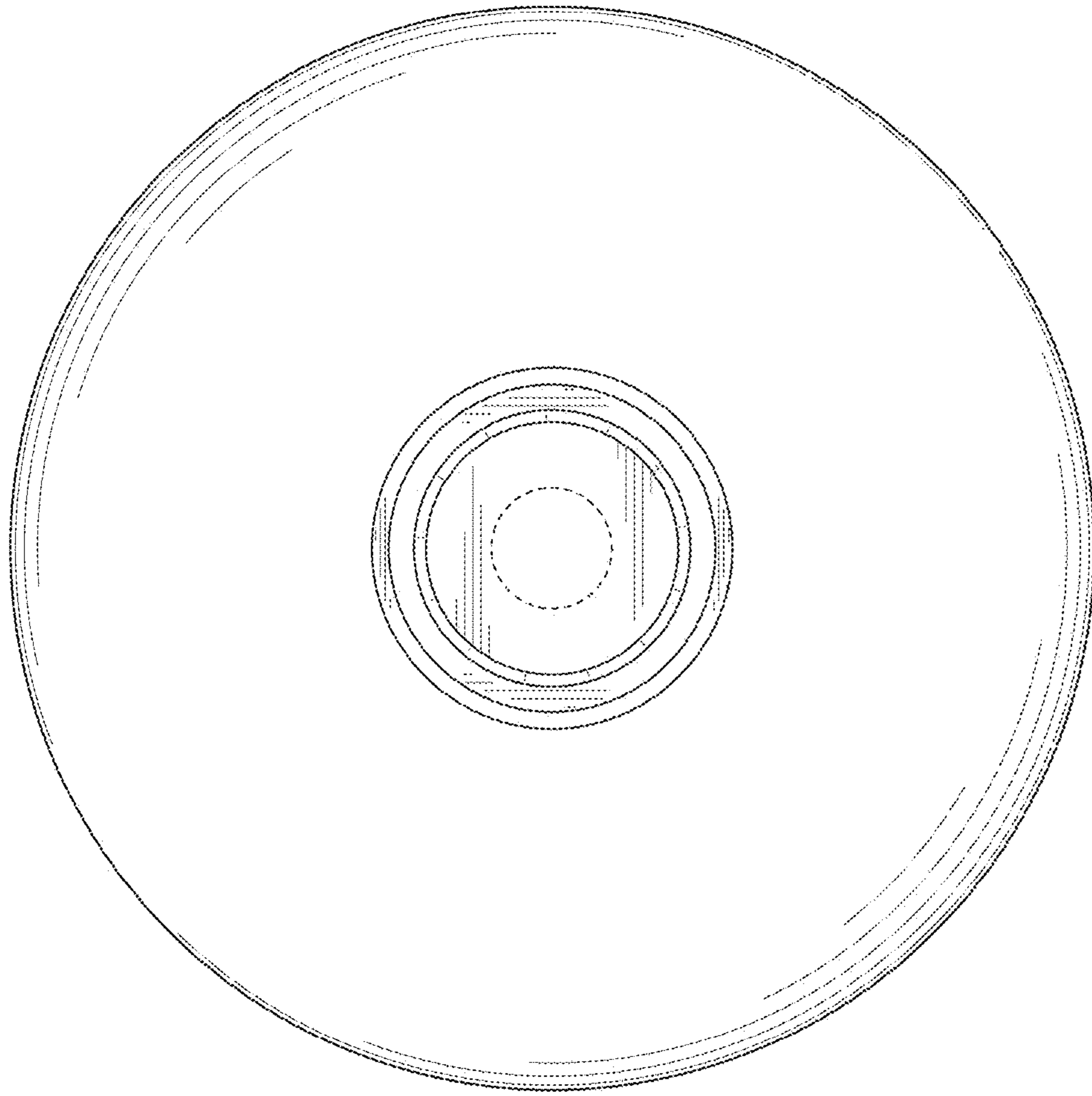


FIG. 7



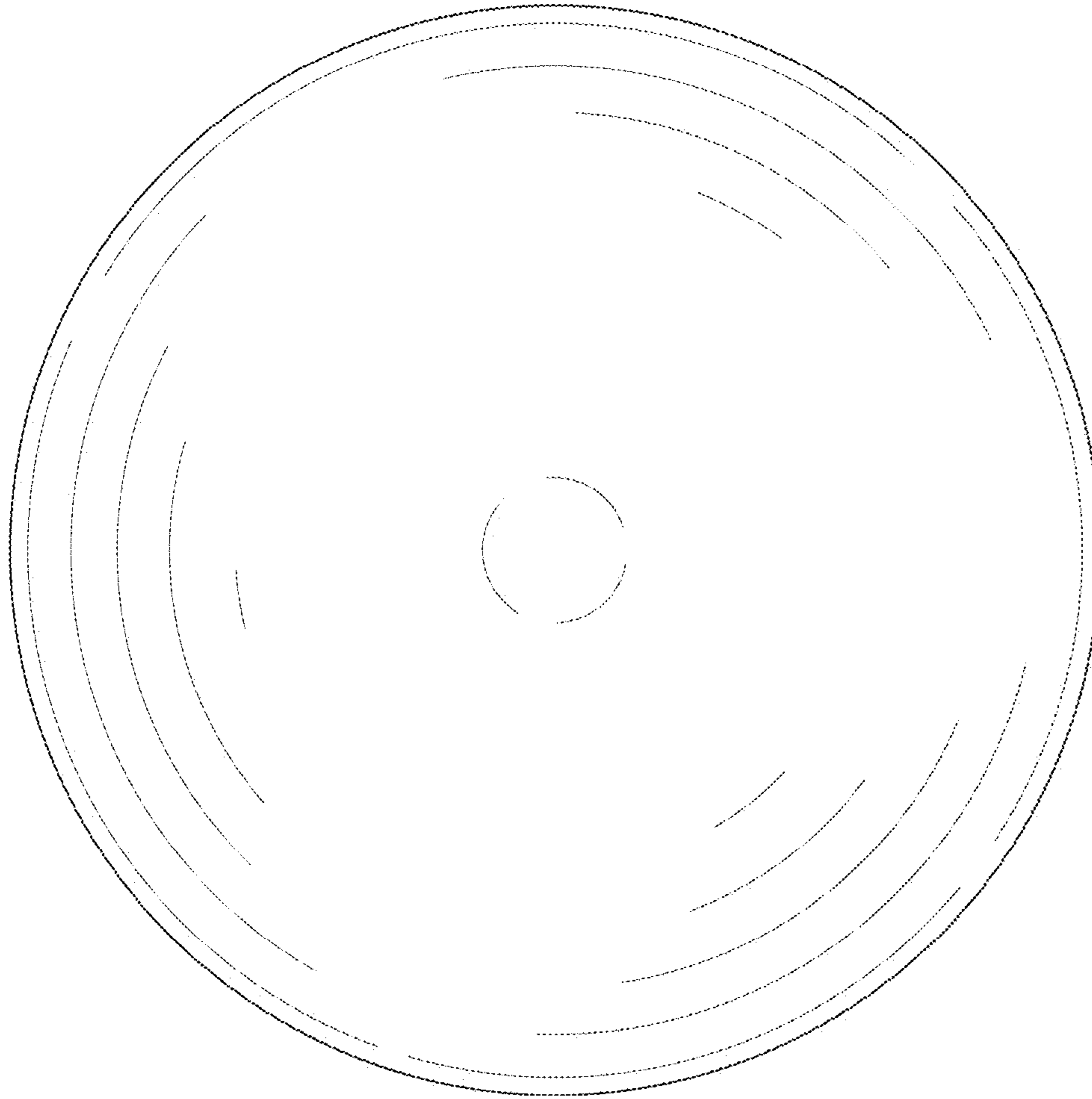


FIG. 8