



US00D975302S

(12) **United States Design Patent**  
**Chen et al.**

(10) **Patent No.:** **US D975,302 S**  
(45) **Date of Patent:** **\*\* Jan. 10, 2023**

(54) **MASSAGE GUN**

D940,345 S \* 1/2022 Cheng ..... D24/215  
D949,385 S \* 4/2022 Zang ..... D24/215  
D950,088 S \* 4/2022 Tian ..... D24/215

(71) Applicant: **SHENZHEN IMOON TECHNOLOGY CO., LTD.**, Shenzhen (CN)

(72) Inventors: **Zhiquan Chen**, Shenzhen (CN); **Limin Yao**, Shenzhen (CN)

(73) Assignee: **SHENZHEN IMOON TECHNOLOGY CO., LTD.**, Shenzhen (CN)

(\*\*) Term: **15 Years**

(21) Appl. No.: **29/785,037**

(22) Filed: **May 24, 2021**

(30) **Foreign Application Priority Data**

Mar. 29, 2021 (CN) ..... 202130171322.3

(51) **LOC (14) Cl.** ..... **24-01**

(52) **U.S. Cl.**  
USPC ..... **D24/215**

(58) **Field of Classification Search**  
USPC ..... D24/133, 141, 200, 211, 212, 213, 214, D24/215; D30/160; D14/228  
CPC ..... A61H 19/30; A61H 19/40; A61H 19/32; A61H 1/00; A61H 2205/087; A61H 19/34  
See application file for complete search history.

(56) **References Cited**

**U.S. PATENT DOCUMENTS**

D923,187 S \* 6/2021 Ma ..... D24/211  
D925,758 S \* 7/2021 Xu ..... D24/215

**OTHER PUBLICATIONS**

IMoonToy, "Warrior Muscle Massage Gun", Access Date: Sep. 28, 2022. [https://imoontoy.com/products/warrior-muscle-massage-gun-red-%E7%9A%84%E5%89%AF%E6%9C%AC?\\_pos=2&\\_sid=5aafaf43&\\_ss=r](https://imoontoy.com/products/warrior-muscle-massage-gun-red-%E7%9A%84%E5%89%AF%E6%9C%AC?_pos=2&_sid=5aafaf43&_ss=r) (Year: 2022).\*

\* cited by examiner

*Primary Examiner* — Michael A Maharajh

(74) *Attorney, Agent, or Firm* — Andrew C. Cheng

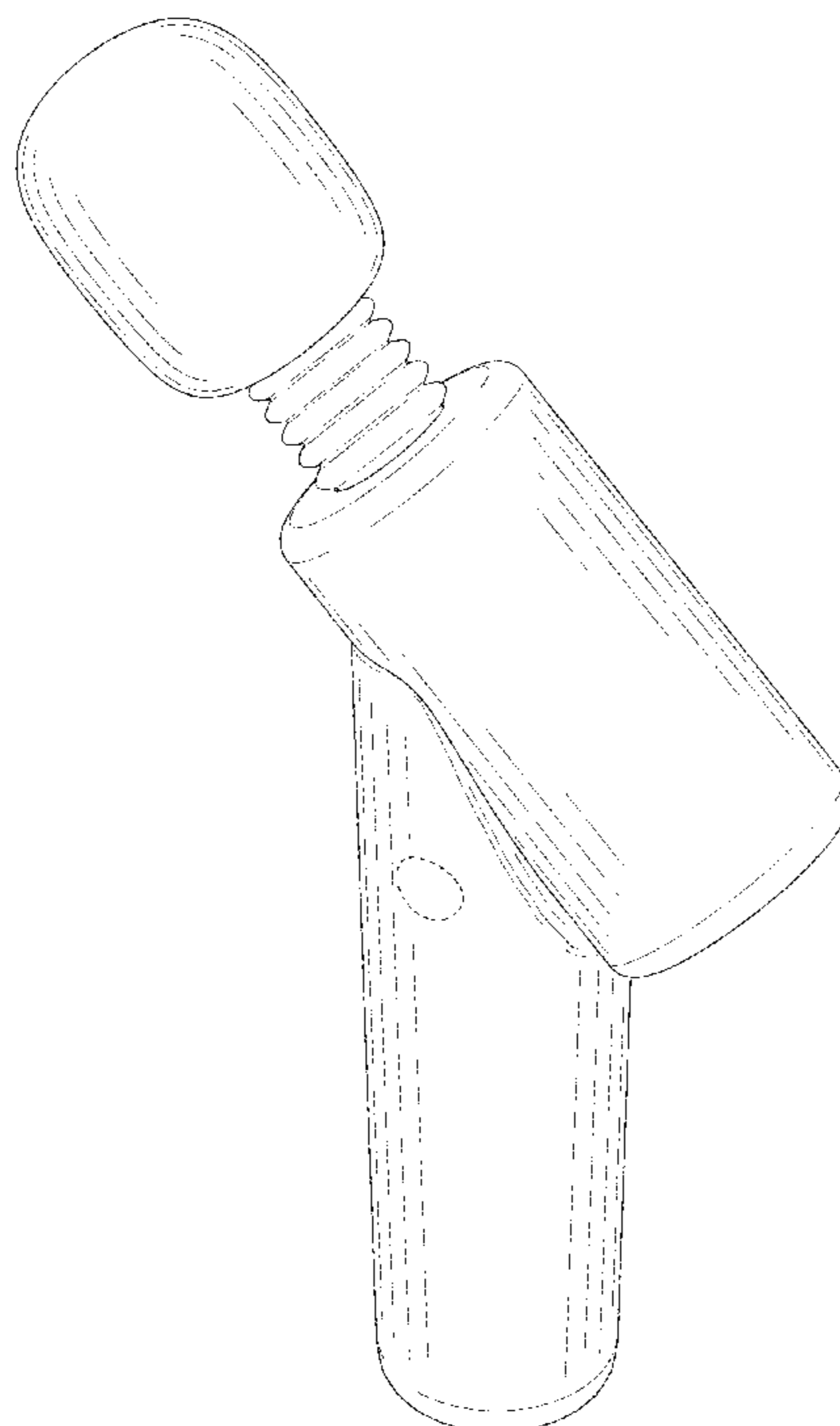
(57) **CLAIM**

The ornamental design for a massage gun, as shown and described.

**DESCRIPTION**

FIG. 1 is a first perspective view of a massage gun showing our new design;  
FIG. 2 is a second perspective view thereof;  
FIG. 3 is a front view thereof;  
FIG. 4 is a rear view thereof;  
FIG. 5 is a left-side view thereof;  
FIG. 6 is a right-side view thereof;  
FIG. 7 is a top view thereof; and,  
FIG. 8 is a bottom view thereof.  
The broken lines shown in the drawings are included for the purpose of illustrating portions of the massage gun which form no part of the claimed design.

**1 Claim, 8 Drawing Sheets**



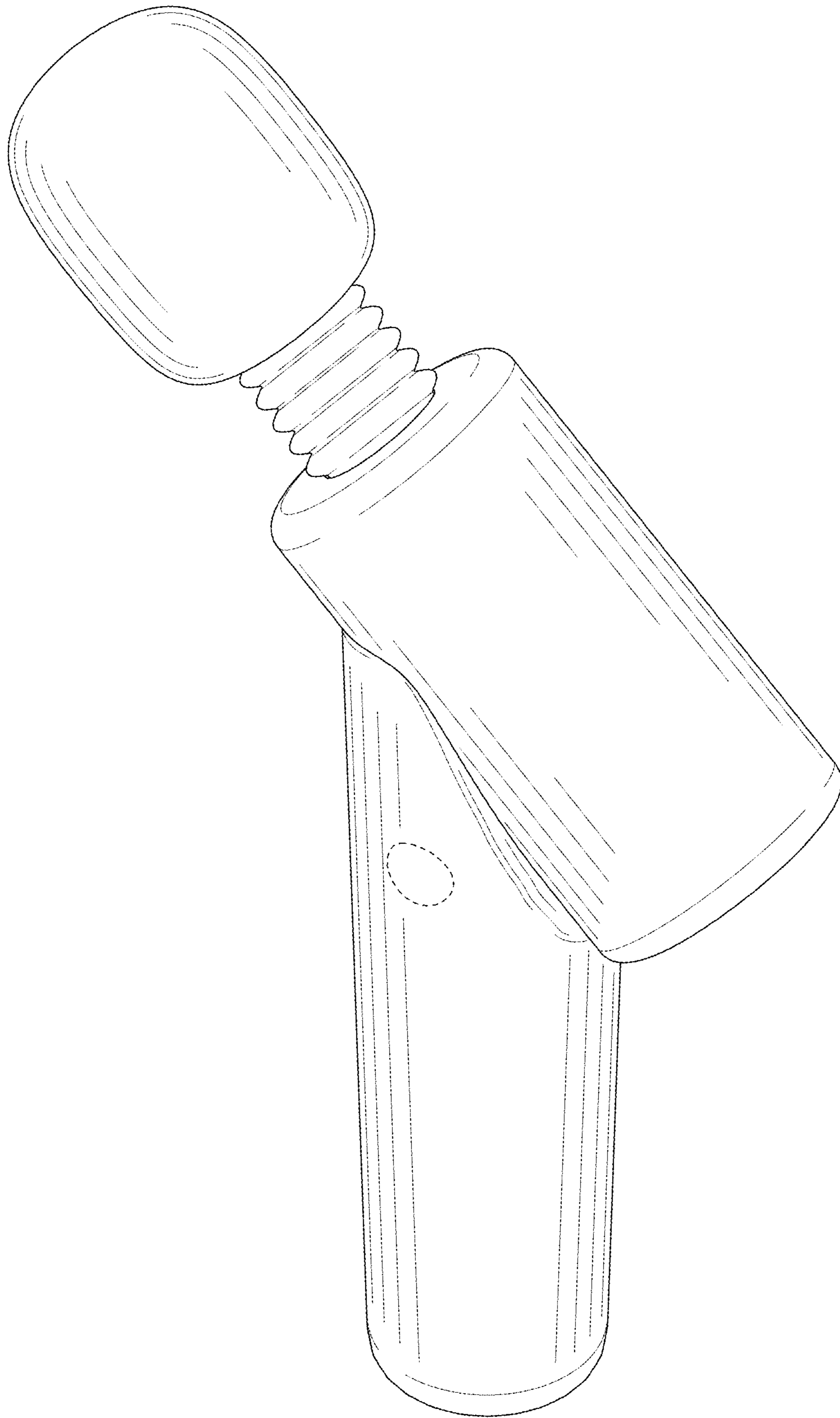


FIG. 1

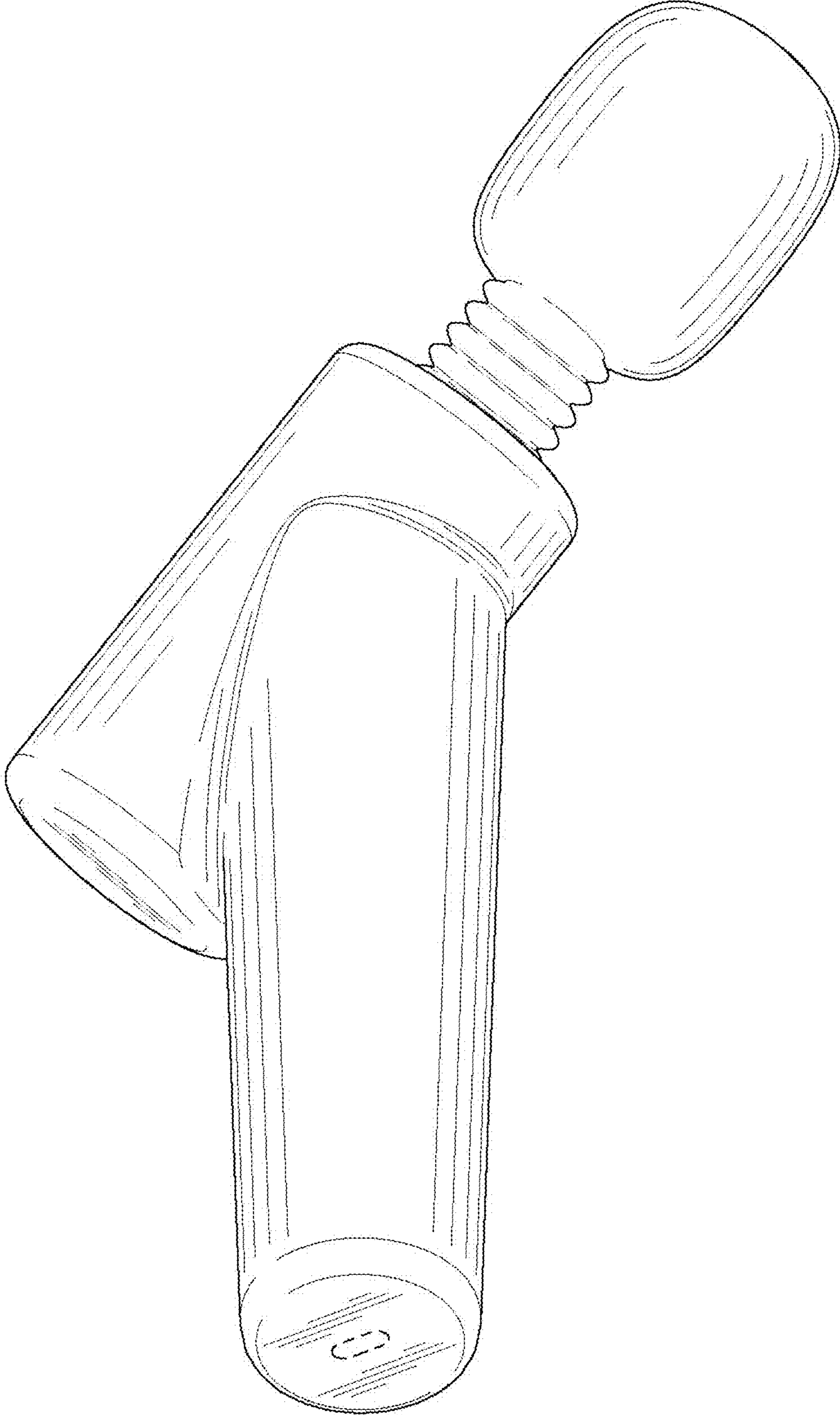


FIG. 2

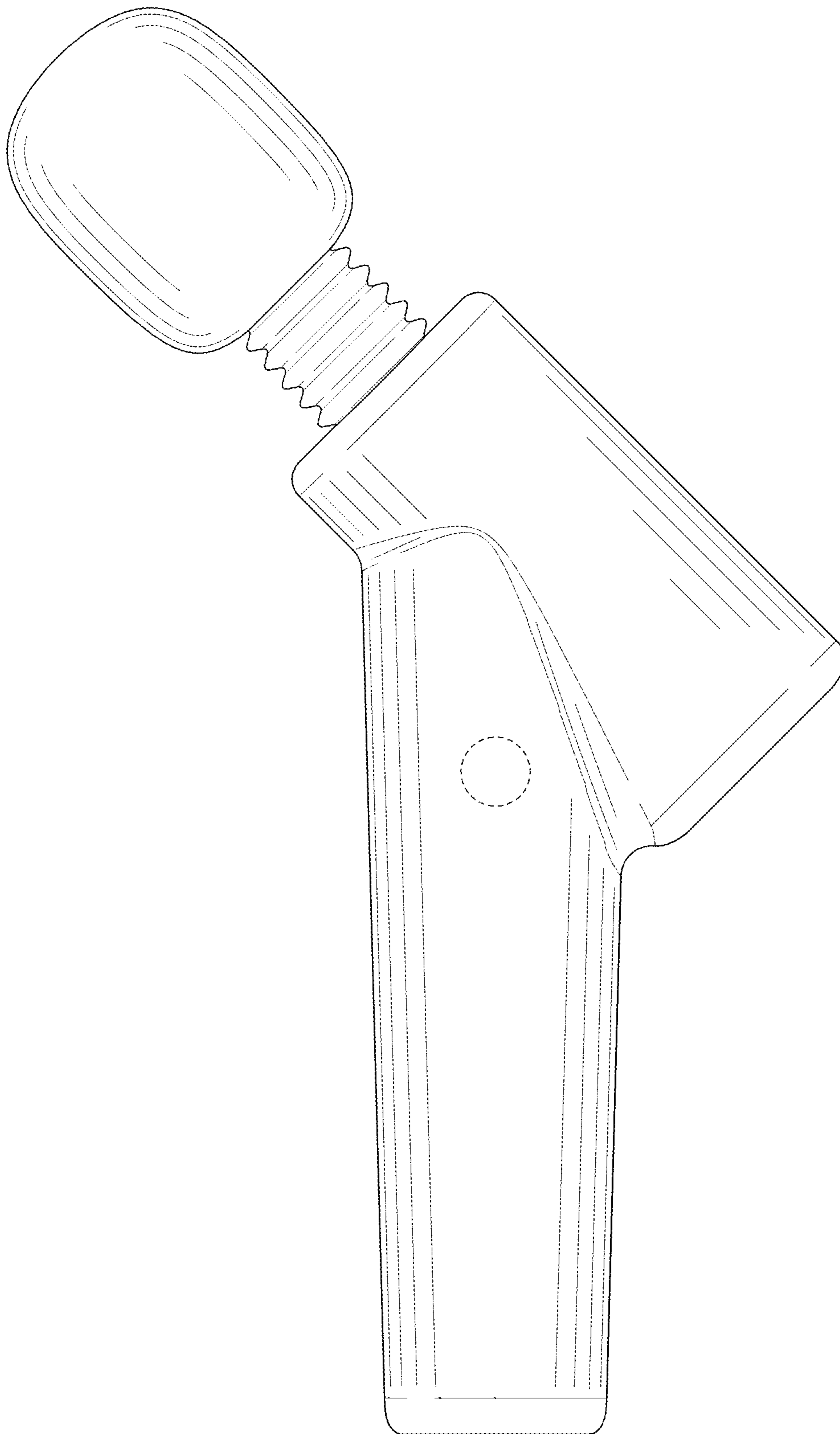


FIG. 3

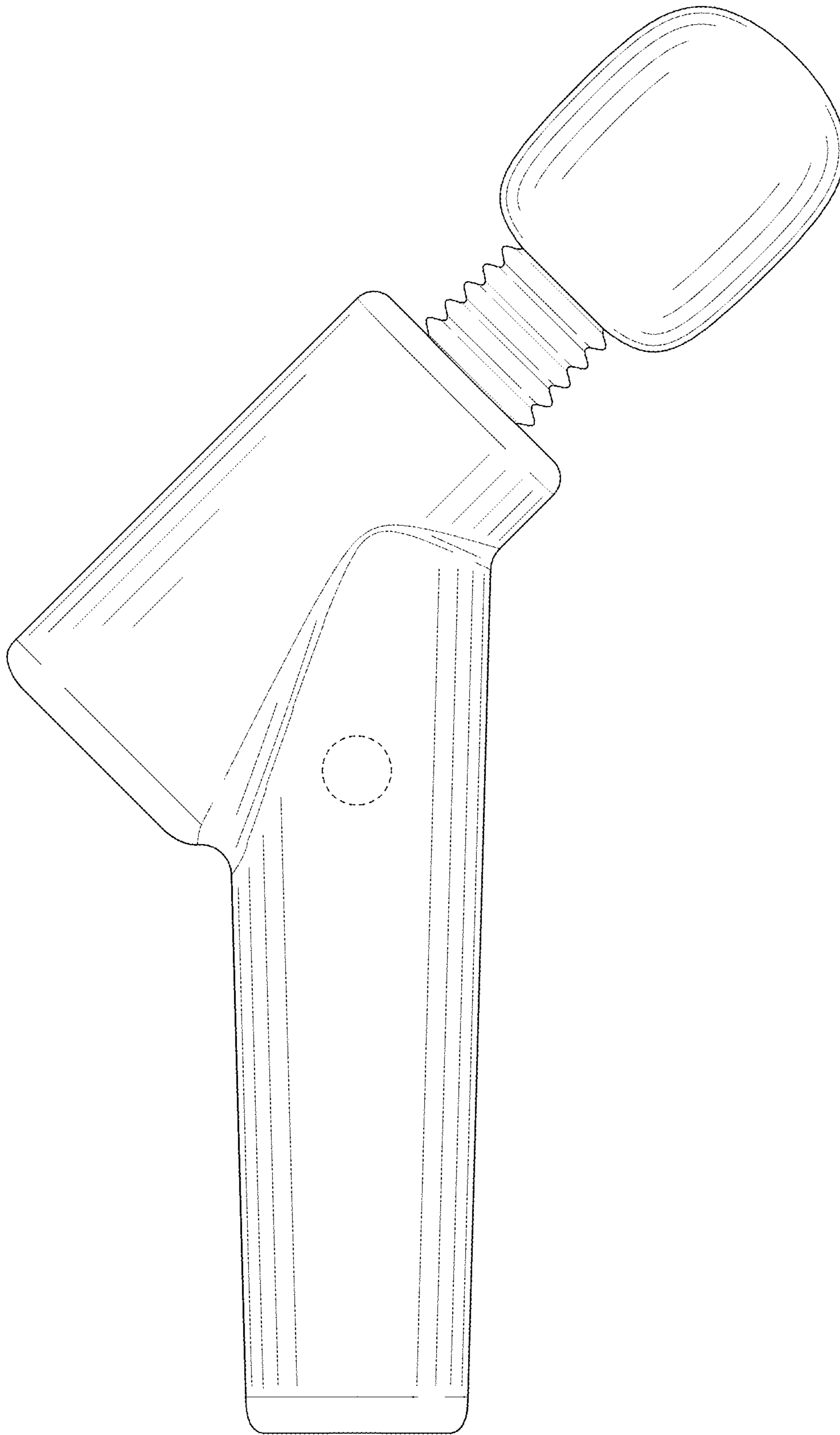


FIG. 4

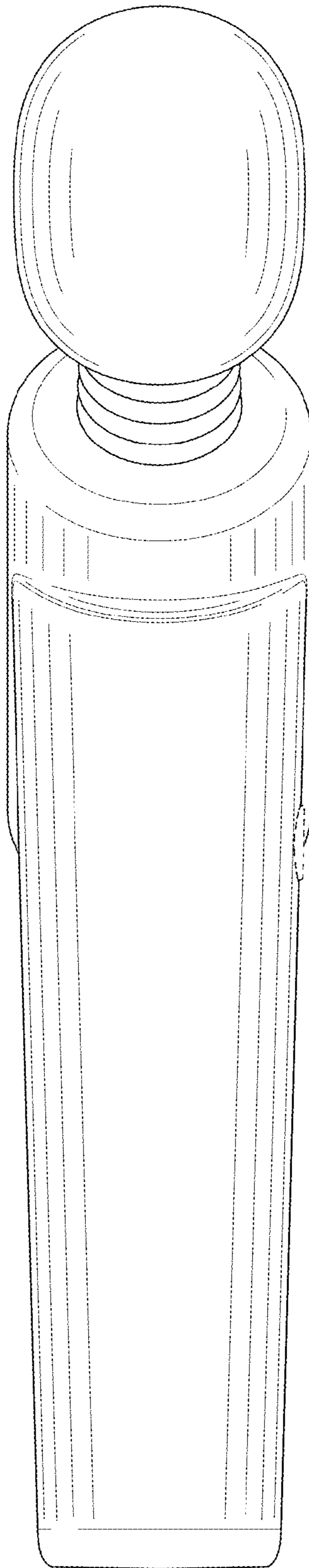


FIG. 5

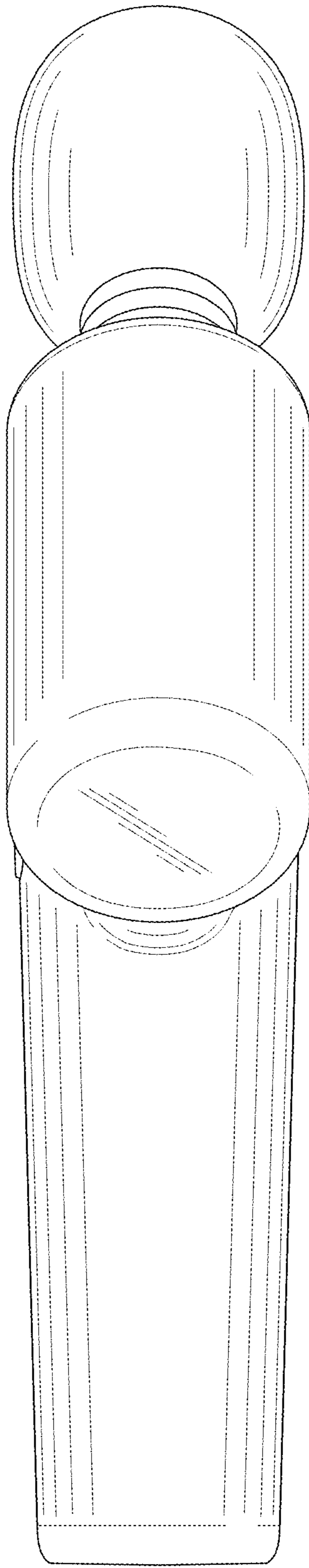


FIG. 6

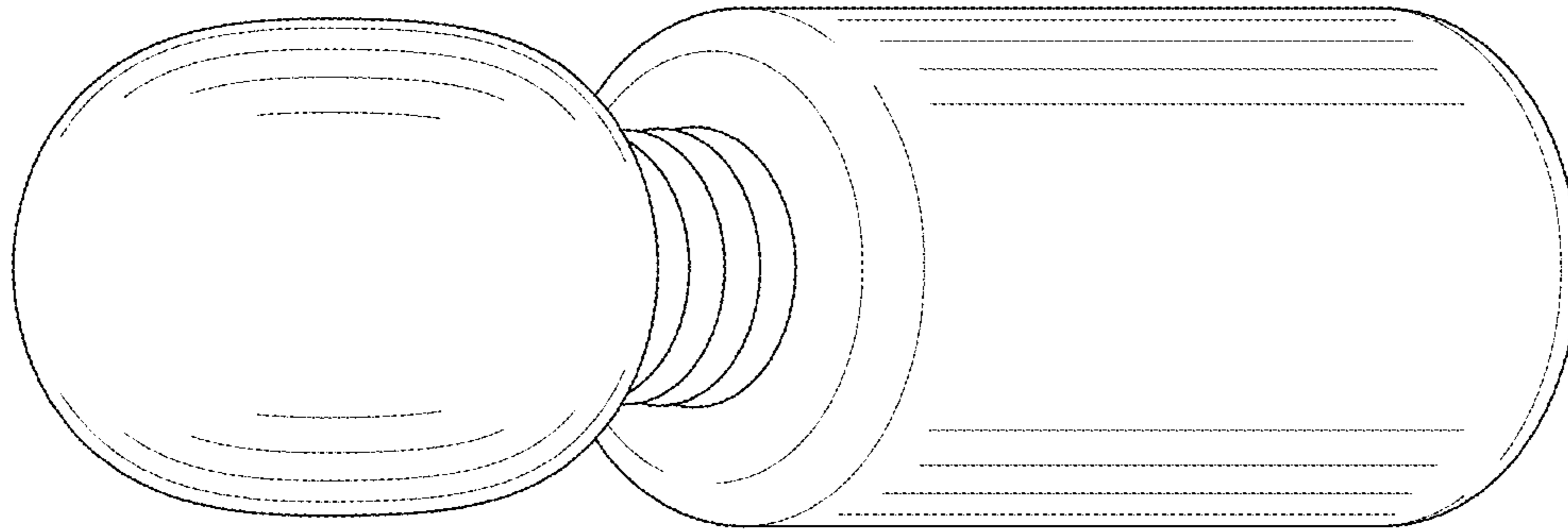


FIG. 7



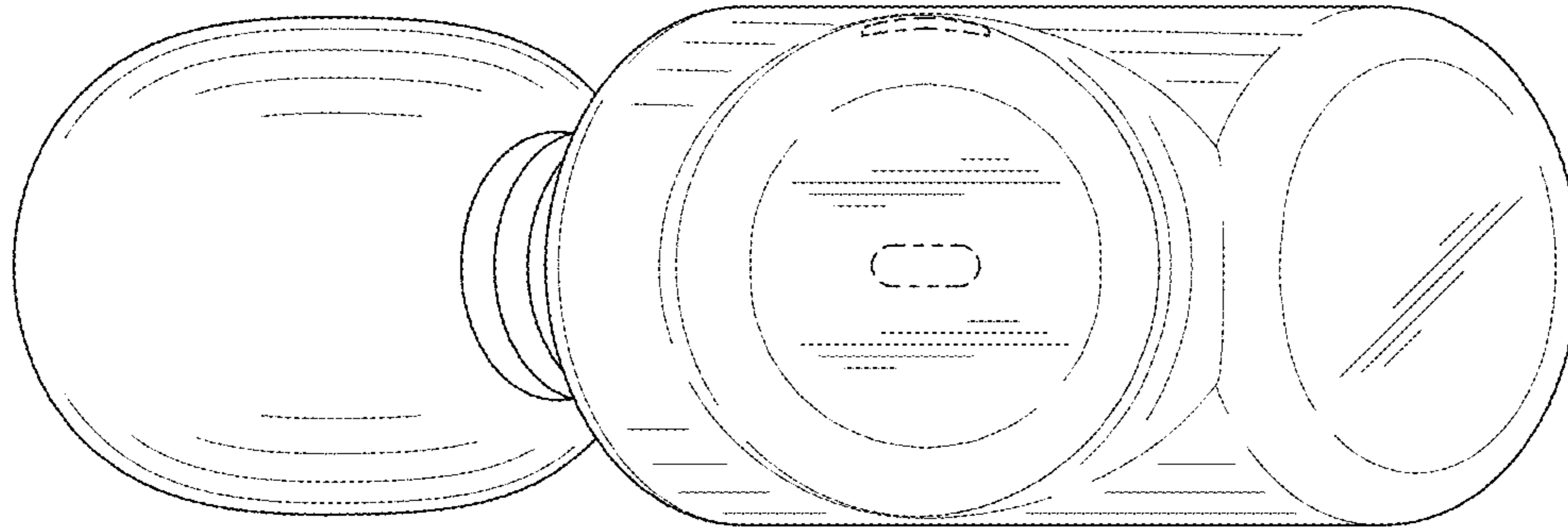


FIG. 8