



US00D975300S

(12) **United States Design Patent**
Chen et al.

(10) **Patent No.:** **US D975,300 S**
(45) **Date of Patent:** **** Jan. 10, 2023**

(54) **FASCIA GUN**

(71) Applicant: **Zhejiang Moovi Tech Co., Ltd.**,
Zhejiang (CN)

(72) Inventors: **Yuanzhang Chen**, Zhejiang (CN);
Siwei Li, Zhejiang (CN)

(73) Assignee: **ZHEJIANG MOOVI TECH CO., LTD.**,
Zhejiang (CN)

(**) Term: **15 Years**

(21) Appl. No.: **29/784,163**

(22) Filed: **May 18, 2021**

(30) **Foreign Application Priority Data**

Dec. 11, 2020 (CN) 202030762846.5

(51) **LOC (14) Cl.** **28-03**

(52) **U.S. Cl.**
USPC **D24/215**

(58) **Field of Classification Search**
USPC D24/200, 209, 211, 212, 213, 214, 215;
D8/14.1; D28/13, 44
CPC A61H 23/006; A61H 2201/0153; A61H
2201/0157; A61H 2201/1654; A61H
7/003; A61H 2023/002
See application file for complete search history.

(56) **References Cited**

U.S. PATENT DOCUMENTS

6,682,496 B1 * 1/2004 Pivaroff A61H 7/005
601/107
D544,102 S * 6/2007 Pivaroff D24/215

D706,980 S * 6/2014 Tasar D24/209
D923,190 S * 6/2021 Xu D24/214
D925,751 S * 7/2021 Wu D24/211
D935,045 S * 11/2021 Zhang D24/215
D939,101 S * 12/2021 Yang D24/215
D940,345 S * 1/2022 Cheng D24/215
D948,739 S * 4/2022 Zou D24/215
D949,421 S * 4/2022 Luo D24/215
D956,994 S * 7/2022 Marzolf D24/215
D963,188 S * 9/2022 Pang D24/215

* cited by examiner

Primary Examiner — Michael A Maharajh

(74) *Attorney, Agent, or Firm* — Muncy, Geissler, Olds & Lowe, P.C.

(57) **CLAIM**

The ornamental design for a fascia gun, as shown and described.

DESCRIPTION

FIG. 1 is a front elevational view of a fascia gun showing our new design;
FIG. 2 is a rear elevational view thereof;
FIG. 3 is a left side view thereof;
FIG. 4 is a right side view thereof;
FIG. 5 is a top plan view thereof;
FIG. 6 is a bottom plan view thereof; and,
FIG. 7 is a perspective view thereof.
The broken lines illustrate portions of the fascia gun which form no part of the claimed design.

1 Claim, 7 Drawing Sheets

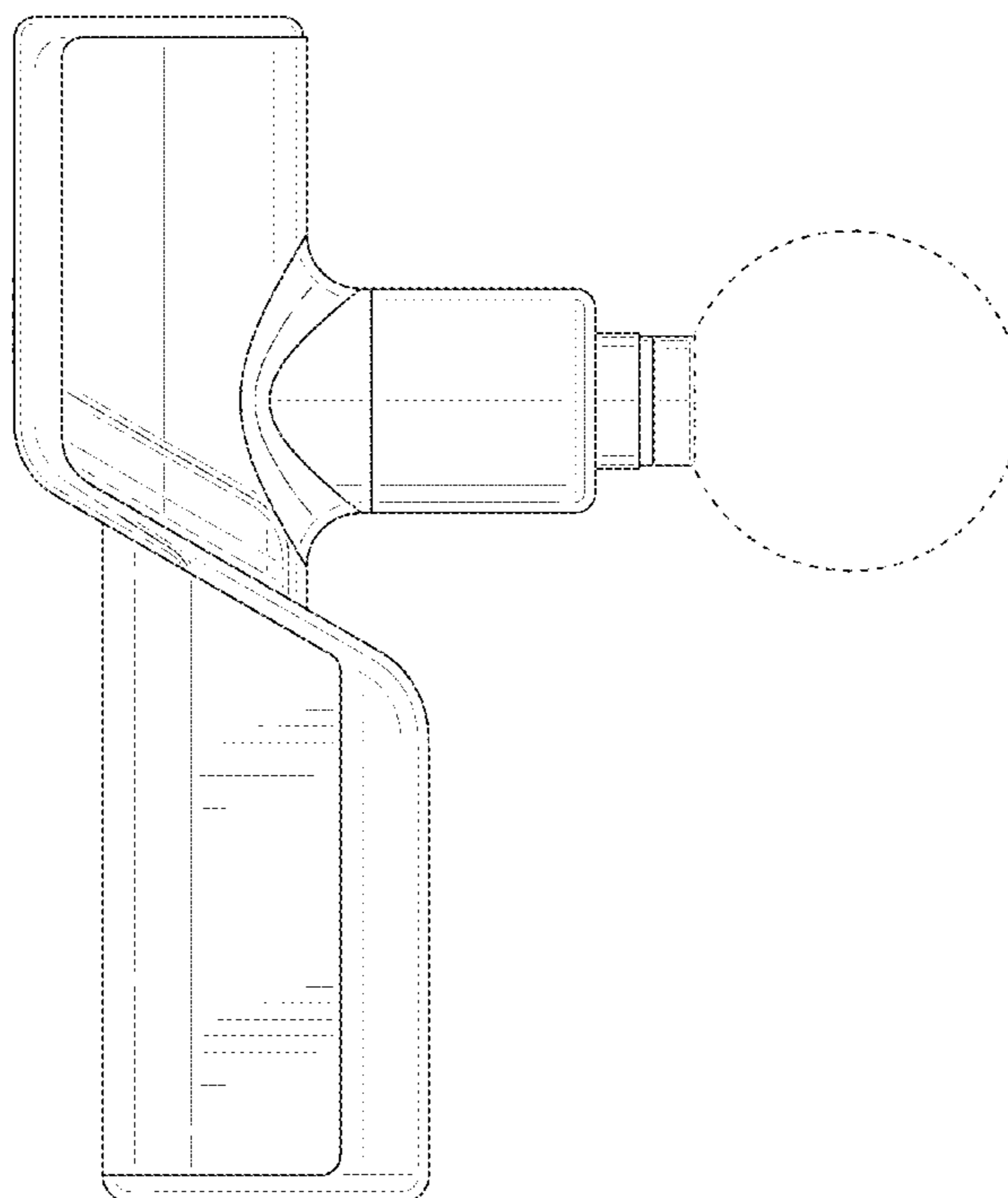


FIG. 1

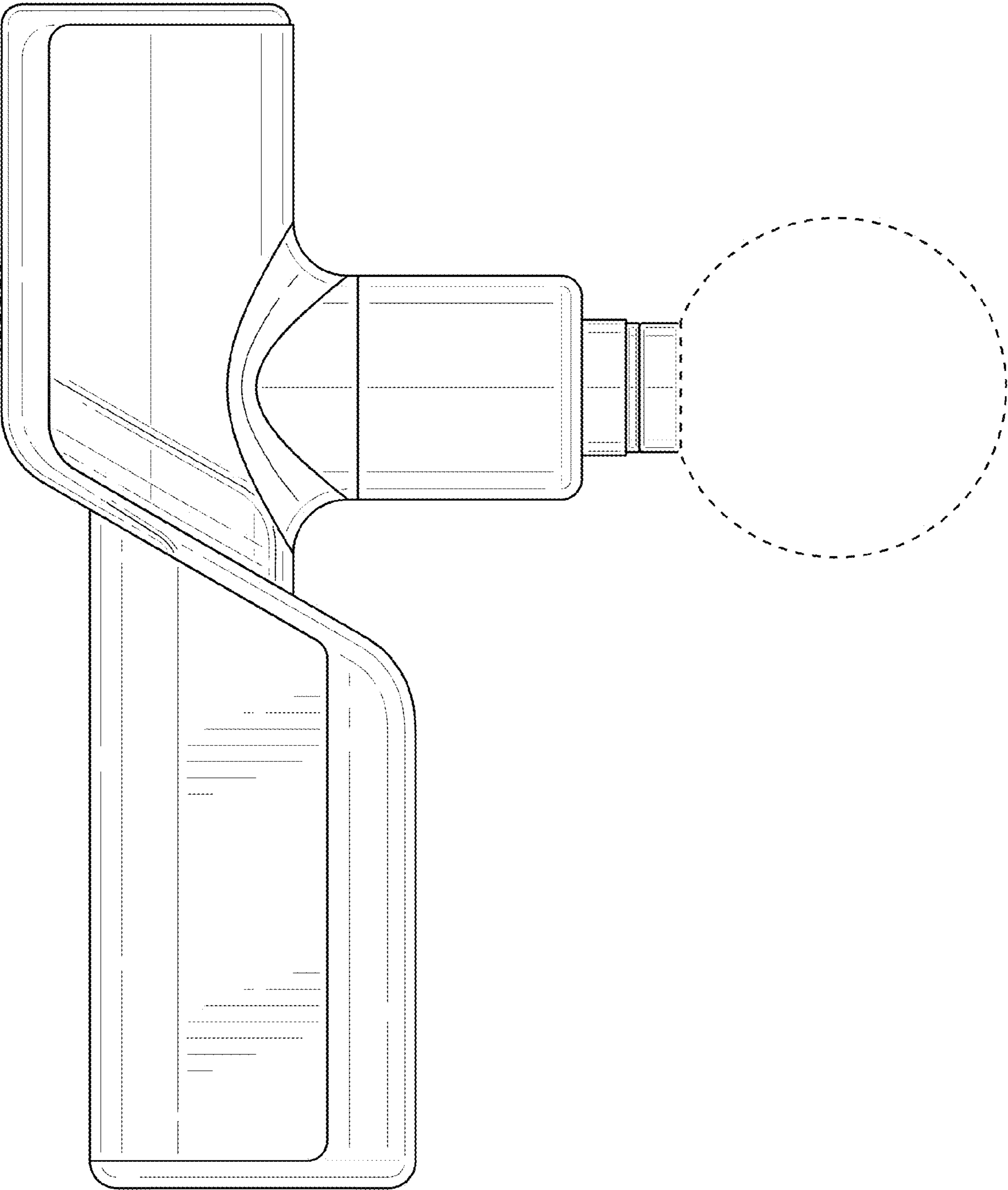


FIG. 2

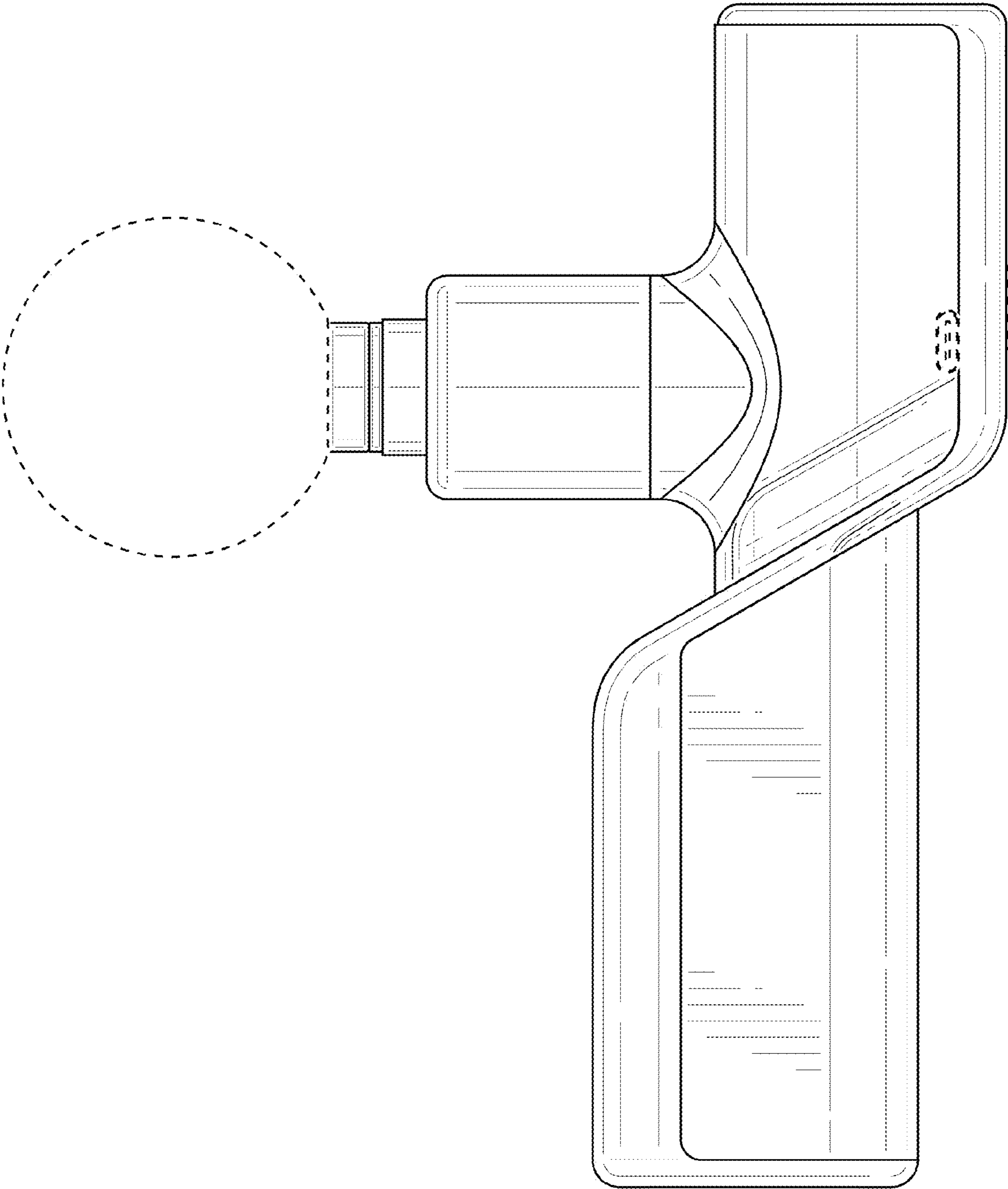


FIG. 3

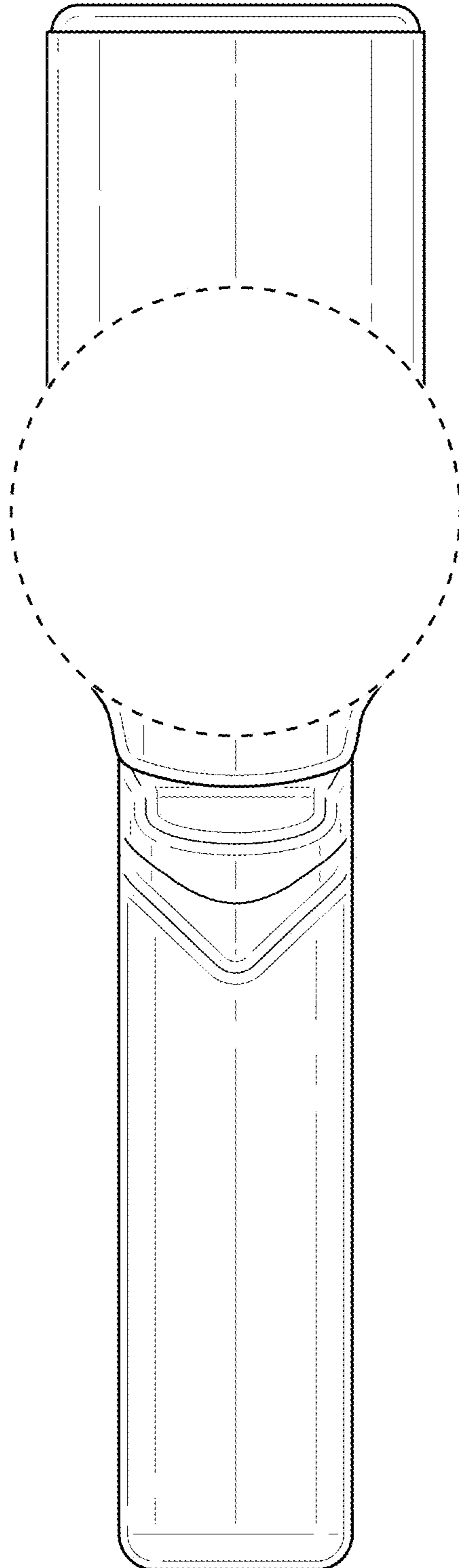


FIG. 4

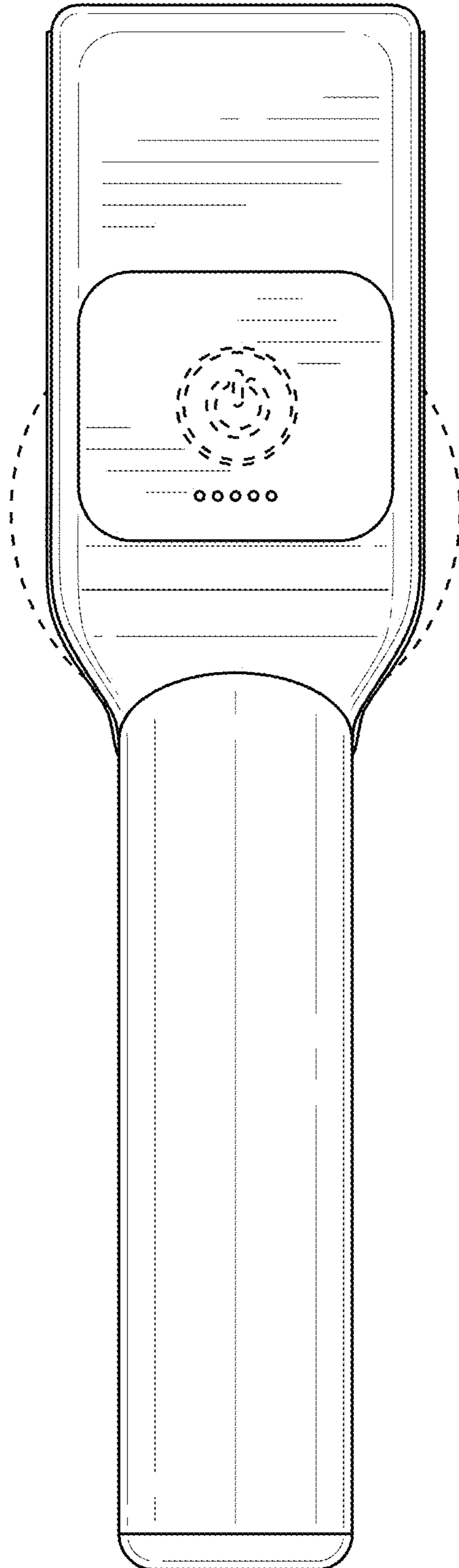


FIG. 5

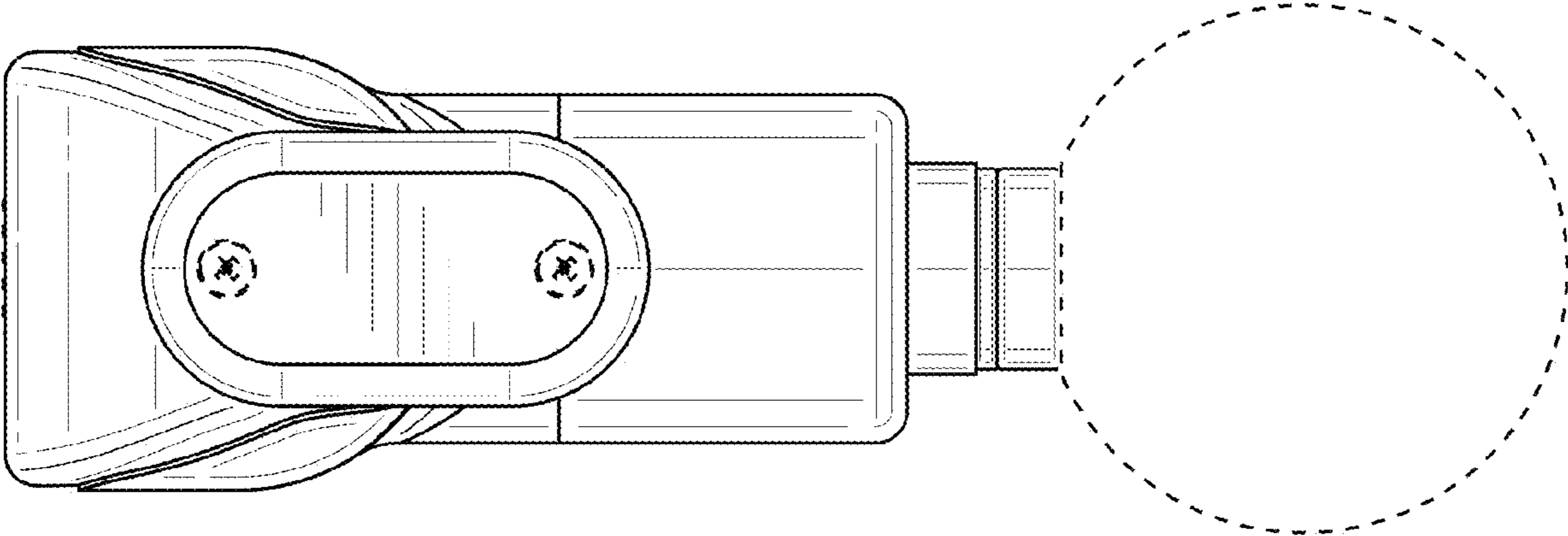
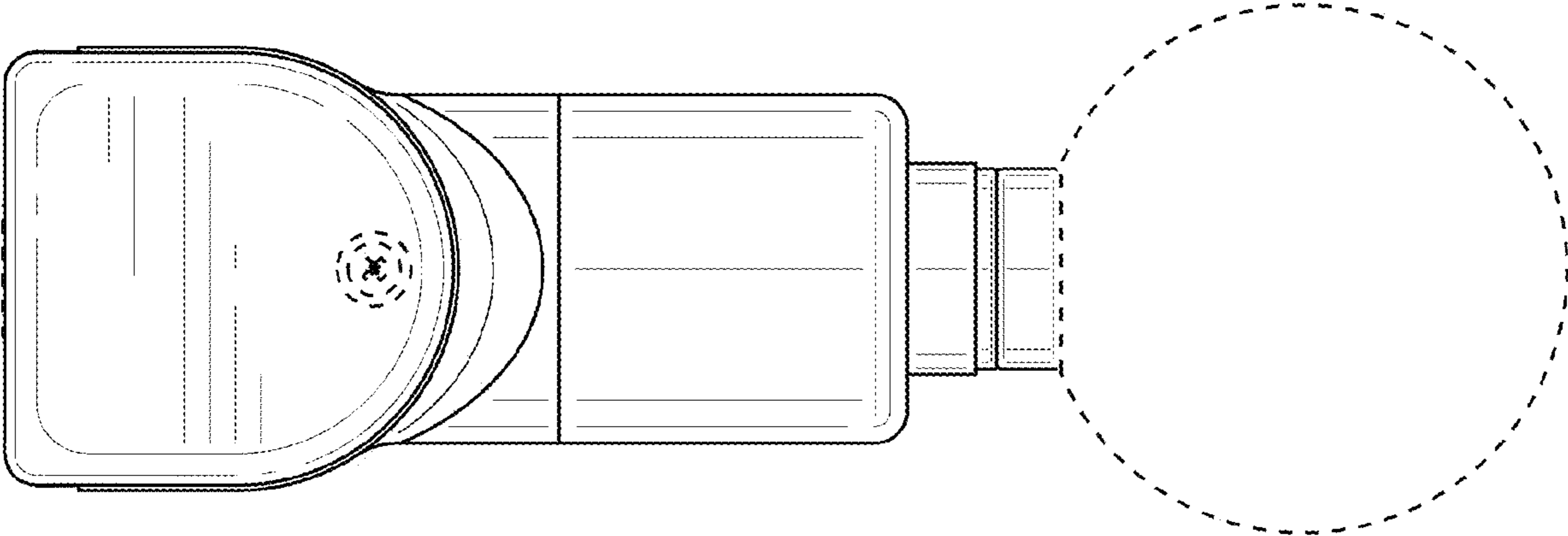


FIG. 6



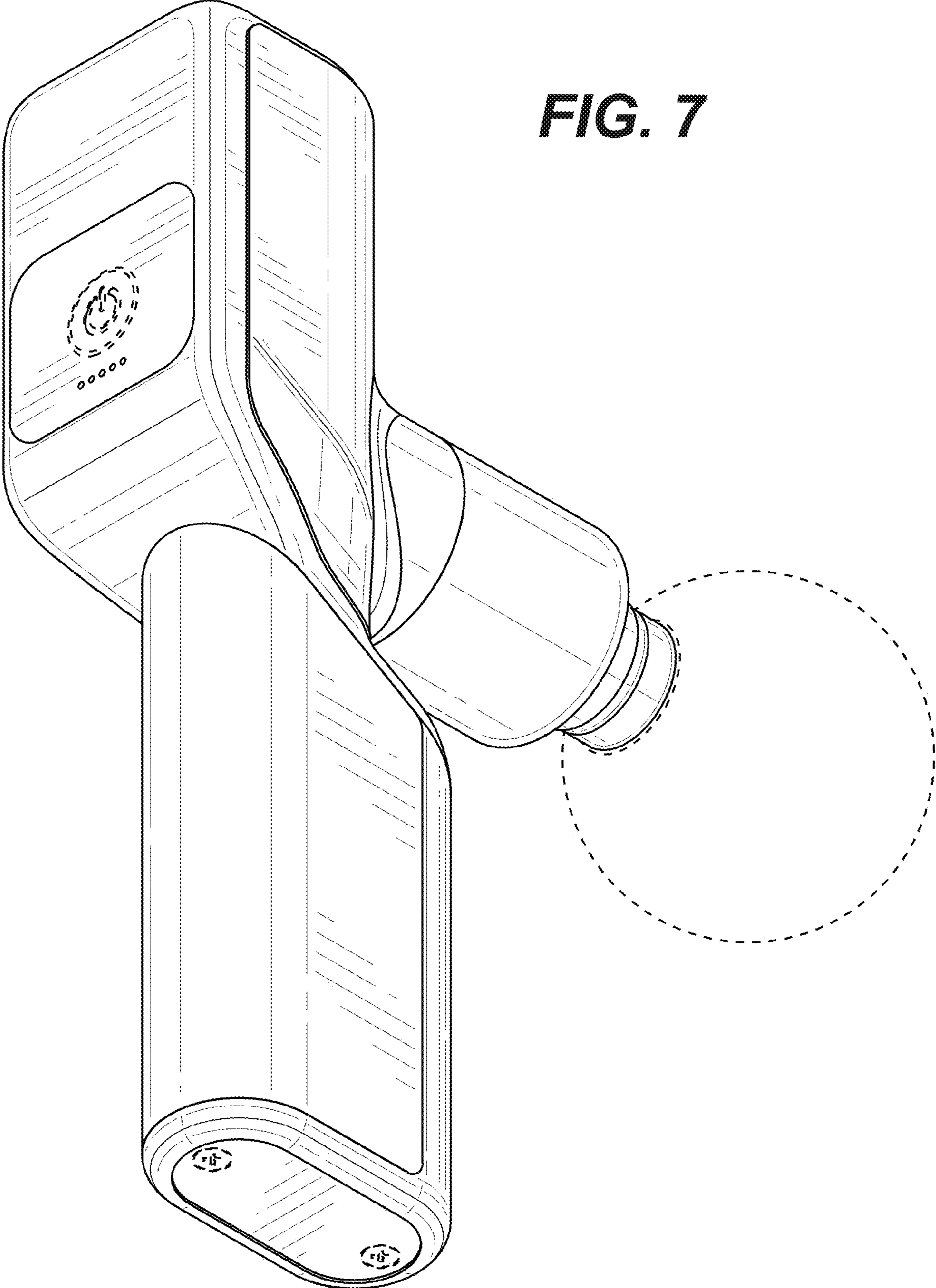


FIG. 7