



US00D975299S

(12) **United States Design Patent** (10) **Patent No.:** **US D975,299 S**
Li et al. (45) **Date of Patent:** **** Jan. 10, 2023**

(54) **FASCIA GUN**
(71) Applicant: **Guilin Feiyu Technology Incorporated Company, Guilin (CN)**

D949,412 S * 4/2022 Chen D24/215
D961,797 S * 8/2022 Huang D24/215
D963,879 S * 9/2022 Li D24/215
D964,585 S * 9/2022 Tang D24/215
D965,167 S * 9/2022 Yu D24/215

(72) Inventors: **Quan Li, Guilin (CN); Chengyun Wei, Guilin (CN); Jianhui Huang, Guilin (CN); Li Liang, Guilin (CN); Fazhan Chen, Guilin (CN); Yangang Yin, Guilin (CN)**

OTHER PUBLICATIONS

Amazon, "KICA 3 Massage Gun Dual Head", Date First Available: Dec. 9, 2021. https://www.amazon.com/Percussion-Professional-Massager-Athletes-Soreness/dp/B09NBSWN95/ref=pd_lpo_1?pd_rd_i=B09NBSWN95&psc=1 (Year: 2021).
Kica-Tech, "KICA 3 Massage Gun", Access Date: Oct. 5, 2022. <https://www.kica-tech.com/en> (Year: 2022).
Youtube, "Kica Pro", Published Date: Oct. 17, 2021. <https://www.youtube.com/watch?v=acTjSBaPpDw> (Year: 2021).*

(73) Assignee: **Guilin Feiyu Technology Incorporated Company, Guilin (CN)**

(**) Term: **15 Years**

* cited by examiner

(21) Appl. No.: **29/777,349**

Primary Examiner — Michael A Maharajh

(22) Filed: **Apr. 6, 2021**

(74) *Attorney, Agent, or Firm* — JCIP Global Inc.

(30) **Foreign Application Priority Data**

Jan. 29, 2021 (CN) 202130065953.7

(51) **LOC (14) Cl.** **28-03**

(52) **U.S. Cl.**
USPC **D24/215**

(57) **CLAIM**

The ornamental design for a fascia gun, as shown and described.

(58) **Field of Classification Search**

USPC D24/200, 209, 211, 212, 213, 214, 215;
D8/14.1; D28/13, 44

CPC A61H 23/006; A61H 2201/0153; A61H 2201/0157; A61H 2201/1654; A61H 7/003; A61H 2023/002

See application file for complete search history.

DESCRIPTION

FIG. 1 is a perspective view of a fascia gun showing our new design;

FIG. 2 is a front view thereof;

FIG. 3 is a rear view thereof;

FIG. 4 is a left view thereof;

FIG. 5 is a right view thereof;

FIG. 6 is a top view thereof; and,

FIG. 7 is a bottom view thereof.

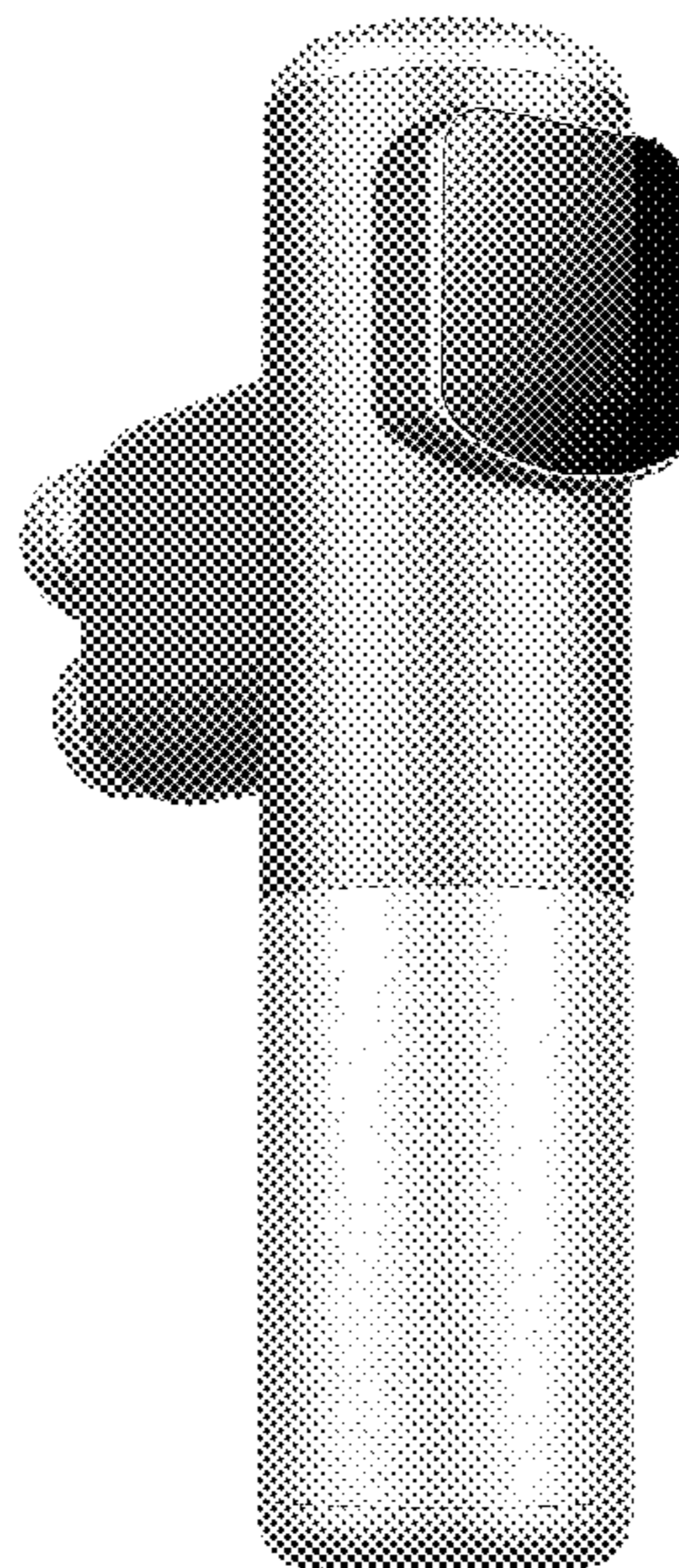
The broken line shown in FIG. 7 represent the bound of the design. The broken line and the lighter gray shaded area of the fascia gun encircle by the broken line in FIG. 7 form no part of the claimed design.

(56) **References Cited**

U.S. PATENT DOCUMENTS

D920,531 S * 5/2021 Xu D24/215
D924,424 S * 7/2021 Wang D24/215
D932,045 S * 9/2021 Shen D24/215
D949,411 S * 4/2022 Chen D24/215

1 Claim, 4 Drawing Sheets



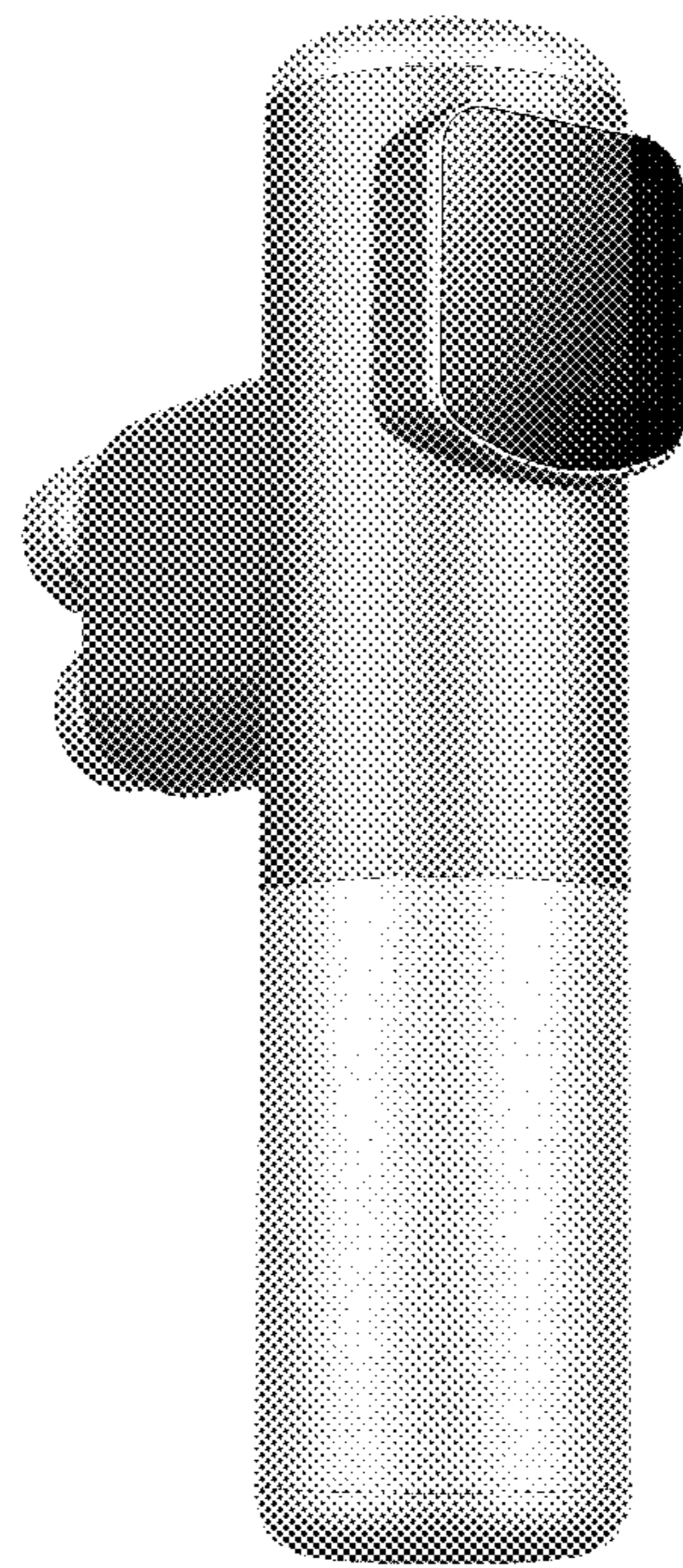


FIG. 1

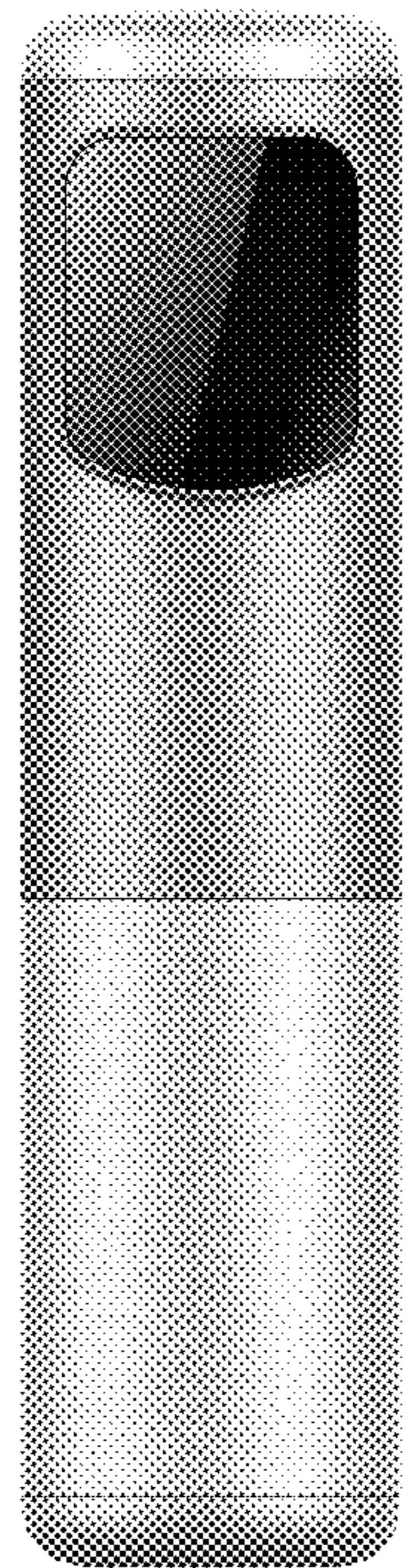


FIG. 2

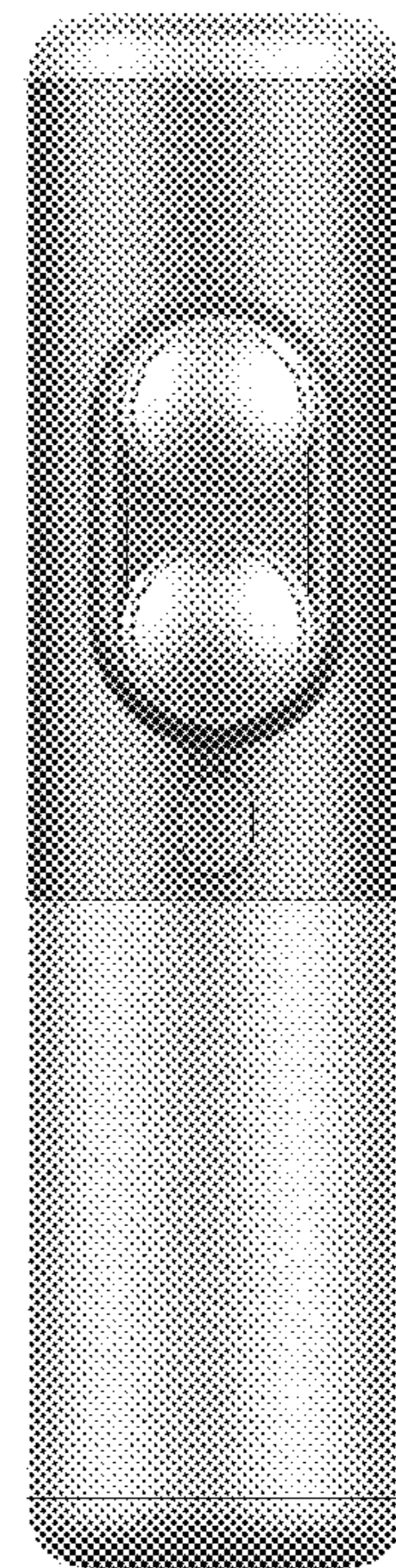


FIG. 3

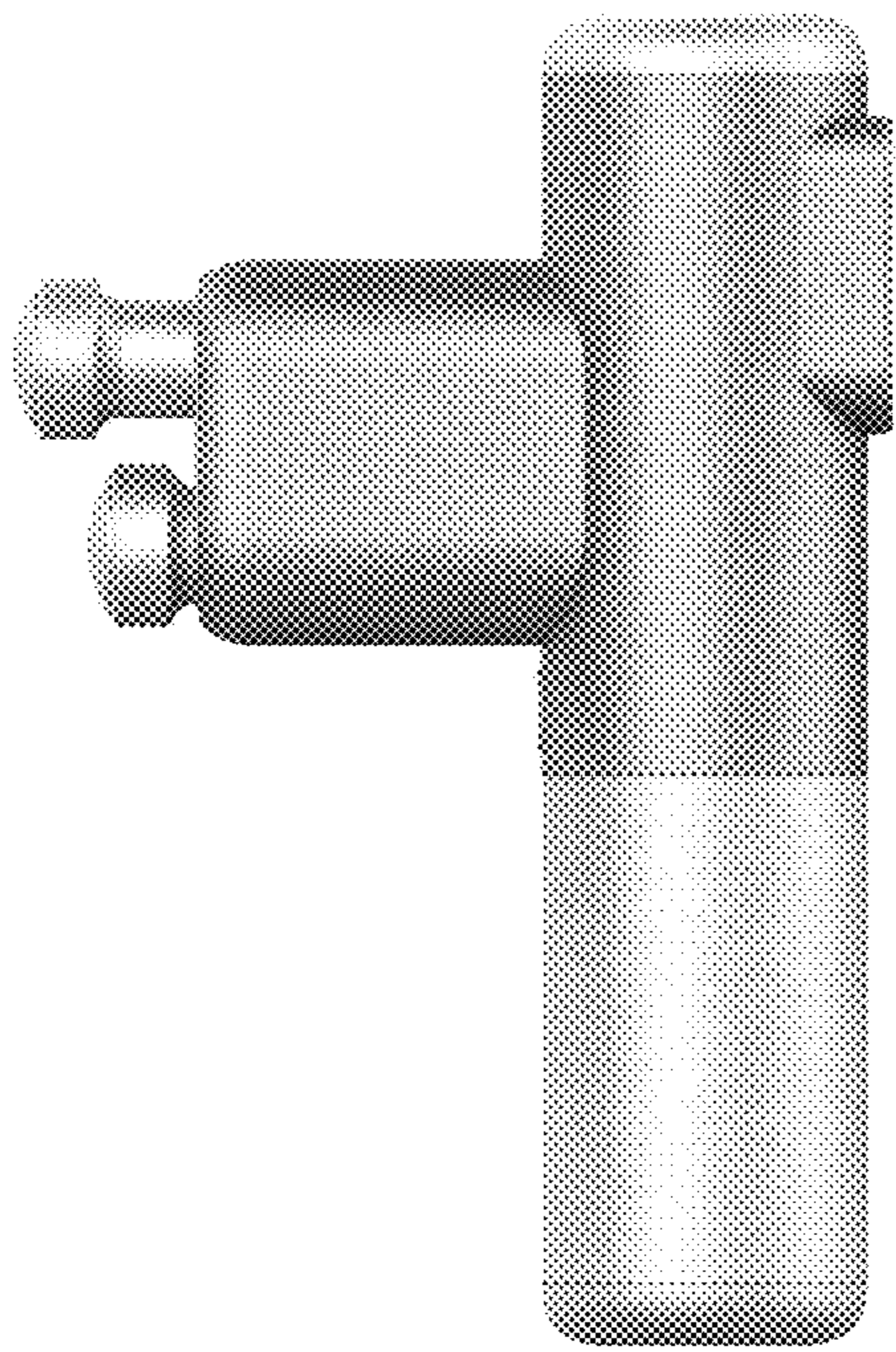


FIG. 4

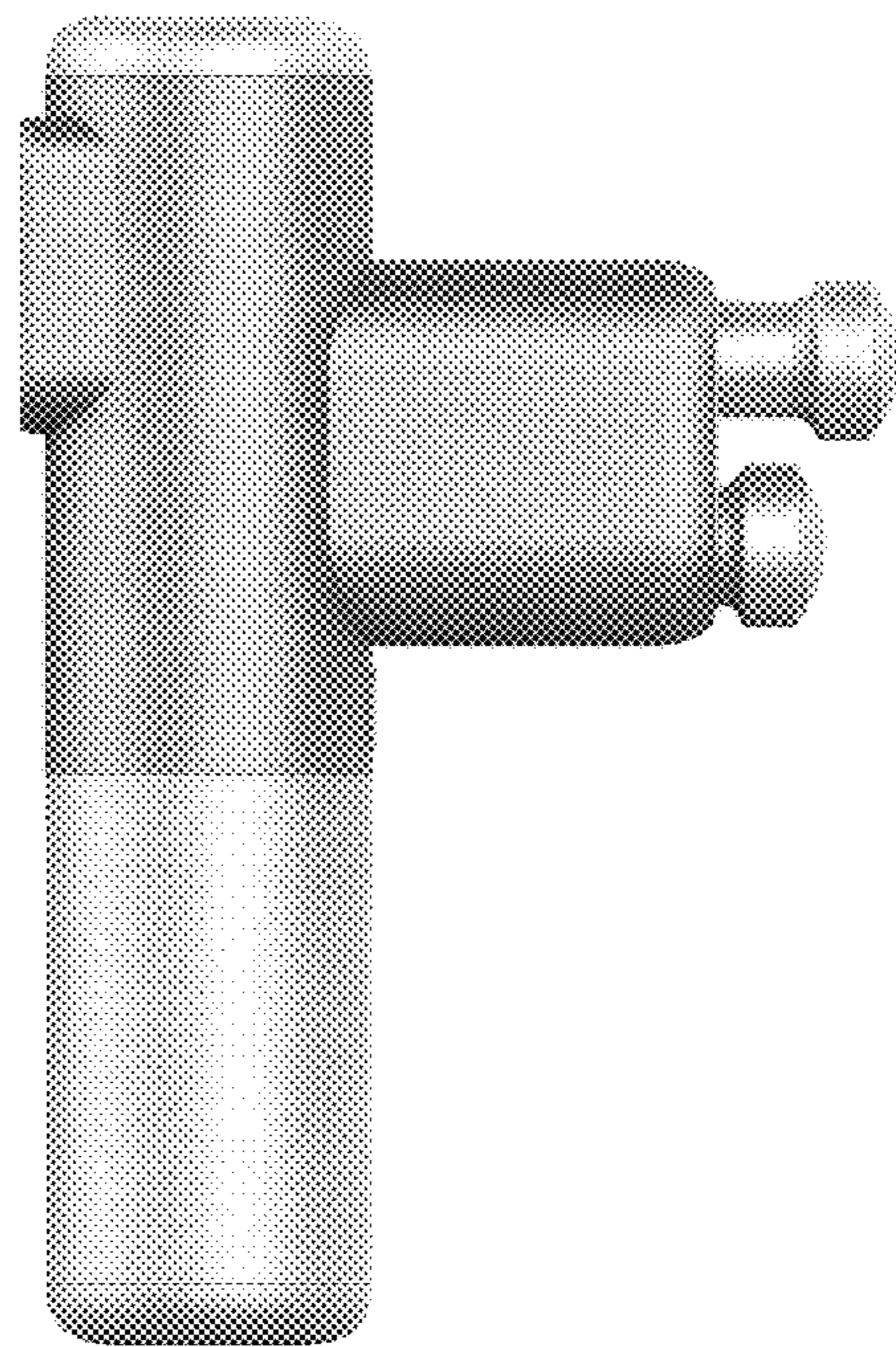


FIG. 5

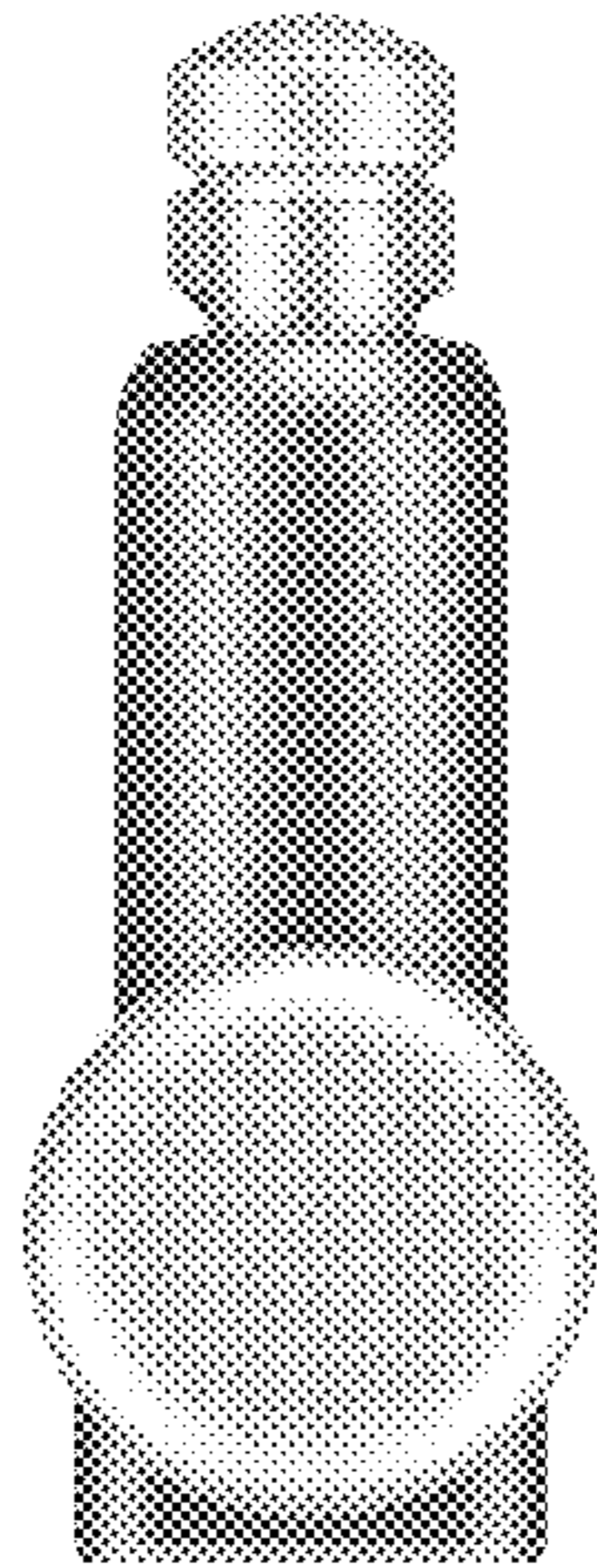


FIG. 6

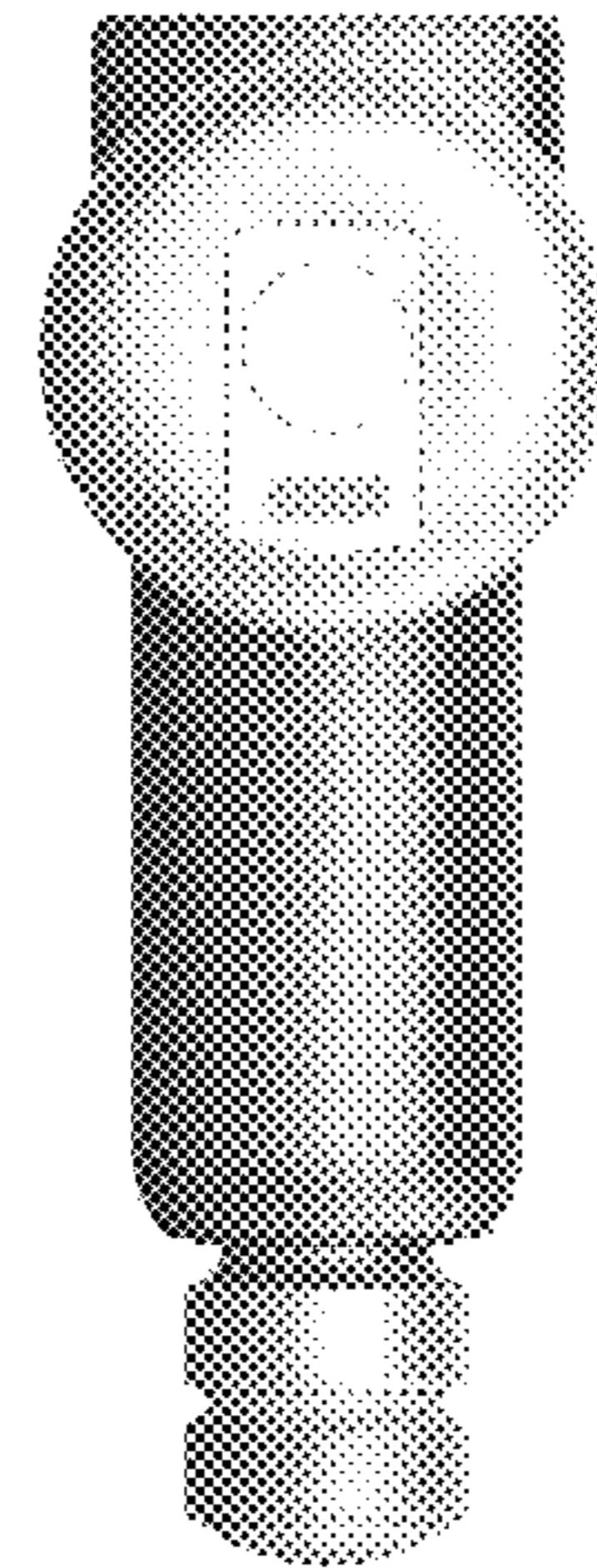


FIG. 7