



US00D975298S

(12) **United States Design Patent** (10) **Patent No.:** **US D975,298 S**
Wang (45) **Date of Patent:** **** Jan. 10, 2023**

(54) **FACIAL MASSAGER**
(71) Applicant: **Shenzhen Sist Technology Co., Ltd.**,
Shenzhen (CN)
(72) Inventor: **Hai Tao Wang**, Shenzhen (CN)
(**) Term: **15 Years**
(21) Appl. No.: **29/774,432**
(22) Filed: **Mar. 17, 2021**
(51) **LOC (14) Cl.** **28-03**
(52) **U.S. Cl.**
USPC **D24/215**
(58) **Field of Classification Search**
USPC D24/200, 211, 212, 213, 214, 215
CPC A61H 2207/00; A61H 2201/1253; A61H
39/04; A61H 7/003; A61H 7/007
See application file for complete search history.

D912,262 S * 3/2021 Rubinshteyn D24/214
D931,491 S * 9/2021 Marshall D24/215
D951,468 S * 5/2022 Yu D24/214
D951,469 S * 5/2022 Yu D24/214

OTHER PUBLICATIONS

Walmart, "Triangle Facial Beauty Massager Gua Sha", Access Date Aug. 8, 2022. <https://www.walmart.com/ip/TriAngle-Facial-Beauty-Massager-Gua-sha-with-LED-Light-Therapy/163166573>. Shown on p. 1. (Year: 2022).*

* cited by examiner

Primary Examiner — Michael A Maharajh
(74) *Attorney, Agent, or Firm* — Rumit Ranjit Kanakia

(57) **CLAIM**

The ornamental design for a facial massager, as shown and described.

(56) **References Cited**

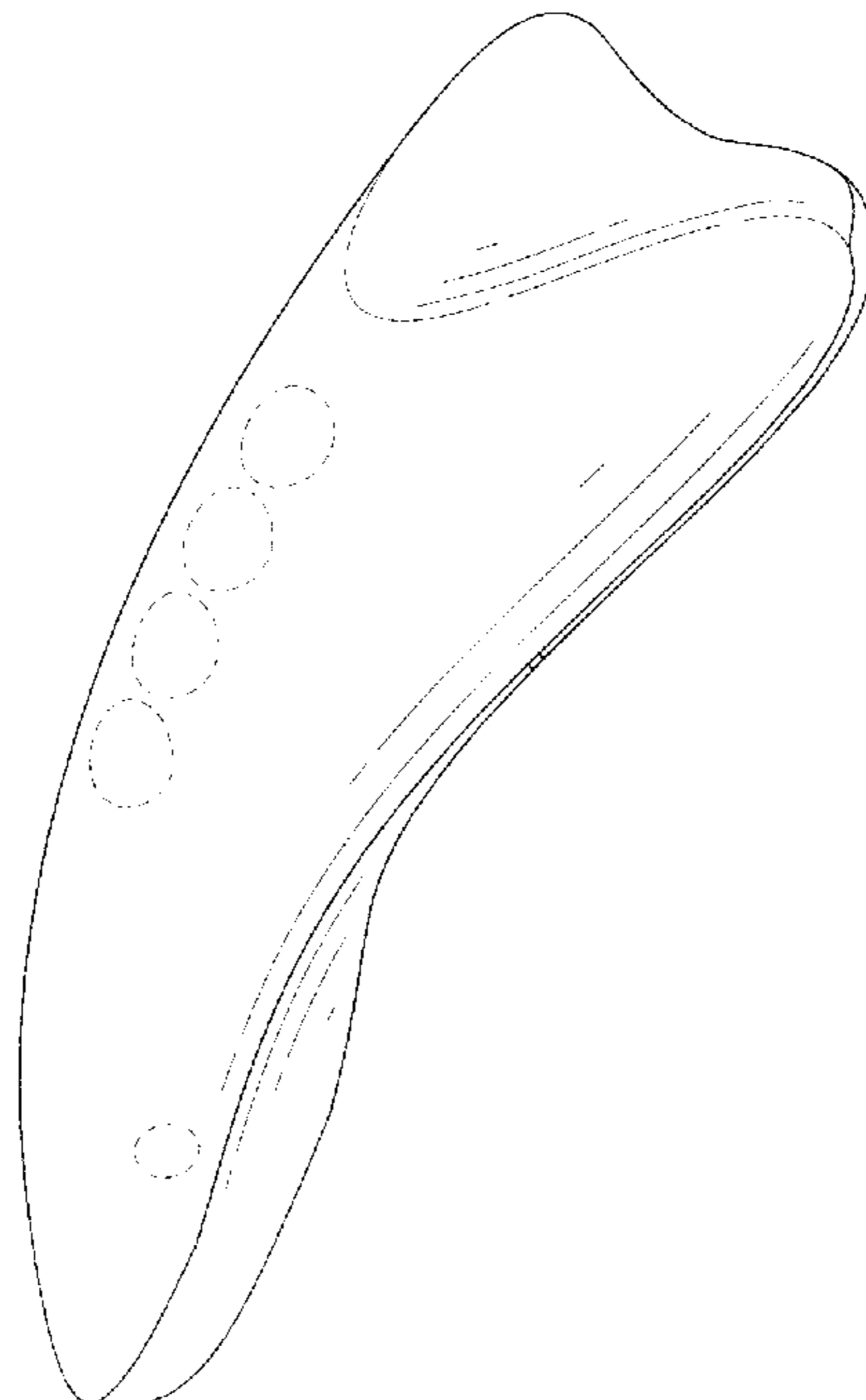
U.S. PATENT DOCUMENTS

D386,879 S * 11/1997 Daniels D24/214
D586,469 S * 2/2009 Henry D24/200
D632,400 S * 2/2011 Bludorn D24/189
D684,702 S * 6/2013 Cho D24/215
D700,351 S * 2/2014 Kojima D24/215
RE45,657 E * 8/2015 Cho D24/215
D752,238 S * 3/2016 Stock D24/214
D757,281 S * 5/2016 Hsieh D24/200
D788,934 S * 6/2017 Hirokawa D24/215
D825,068 S * 8/2018 van den Dries D24/200
D868,279 S * 11/2019 Chiu D24/214
D868,980 S * 12/2019 Yang D24/200
D882,808 S * 4/2020 Miller D24/215
D904,638 S * 12/2020 Shiota D24/215
D908,905 S * 1/2021 Braden D24/215
D908,906 S * 1/2021 Braden D24/215

DESCRIPTION

FIG. 1 is a first perspective view of a facial massager showing my new design;
FIG. 2 is a second perspective view thereof;
FIG. 3 is a front view thereof;
FIG. 4 is a back view thereof;
FIG. 5 is a left side view thereof;
FIG. 6 is a right side view thereof;
FIG. 7 is a top view thereof; and,
FIG. 8 is a bottom view thereof.
The broken lines shown in the drawings depict portions of the facial massager in which the design is embodied that form no part of the claimed design.

1 Claim, 8 Drawing Sheets



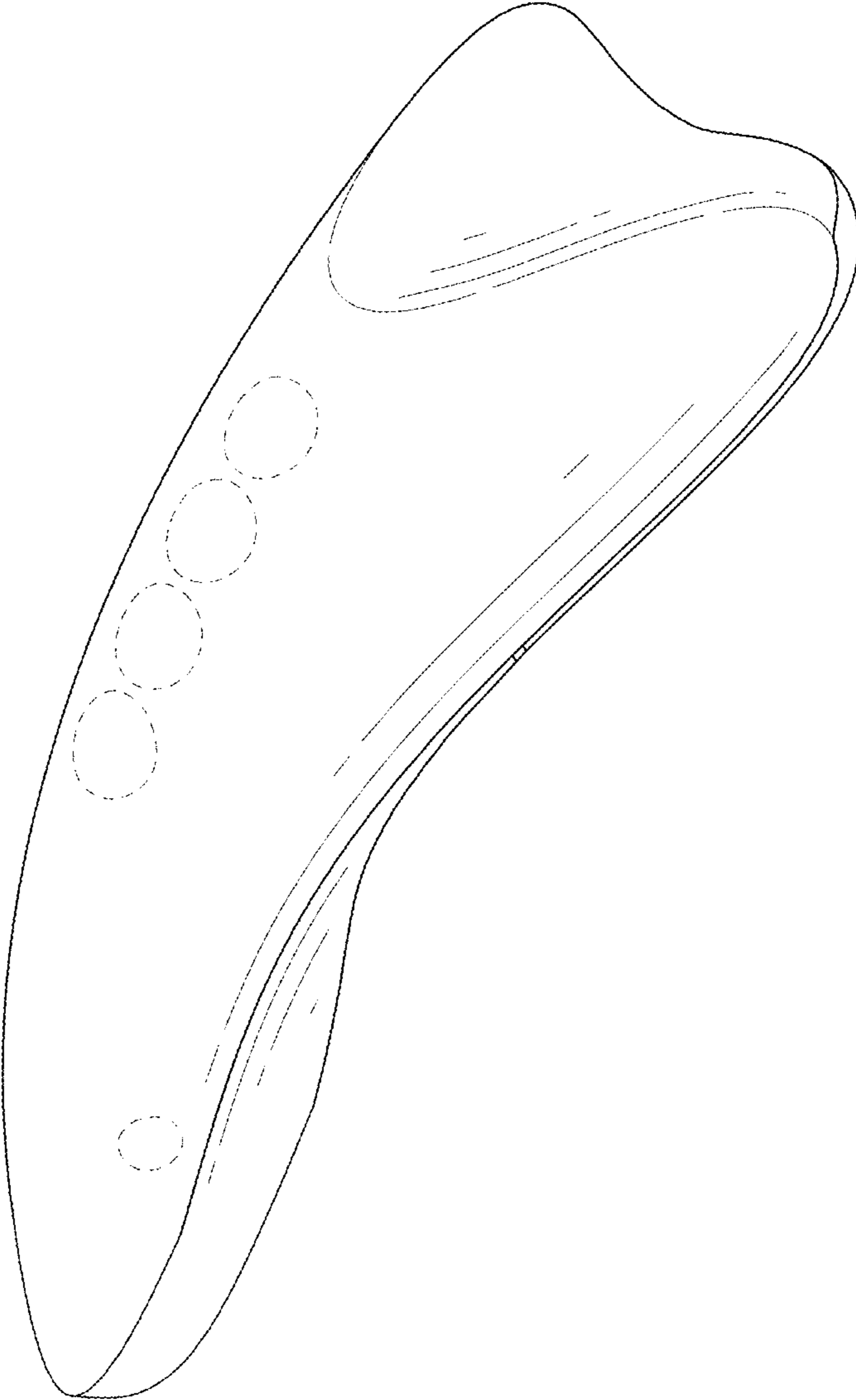


FIG. 1

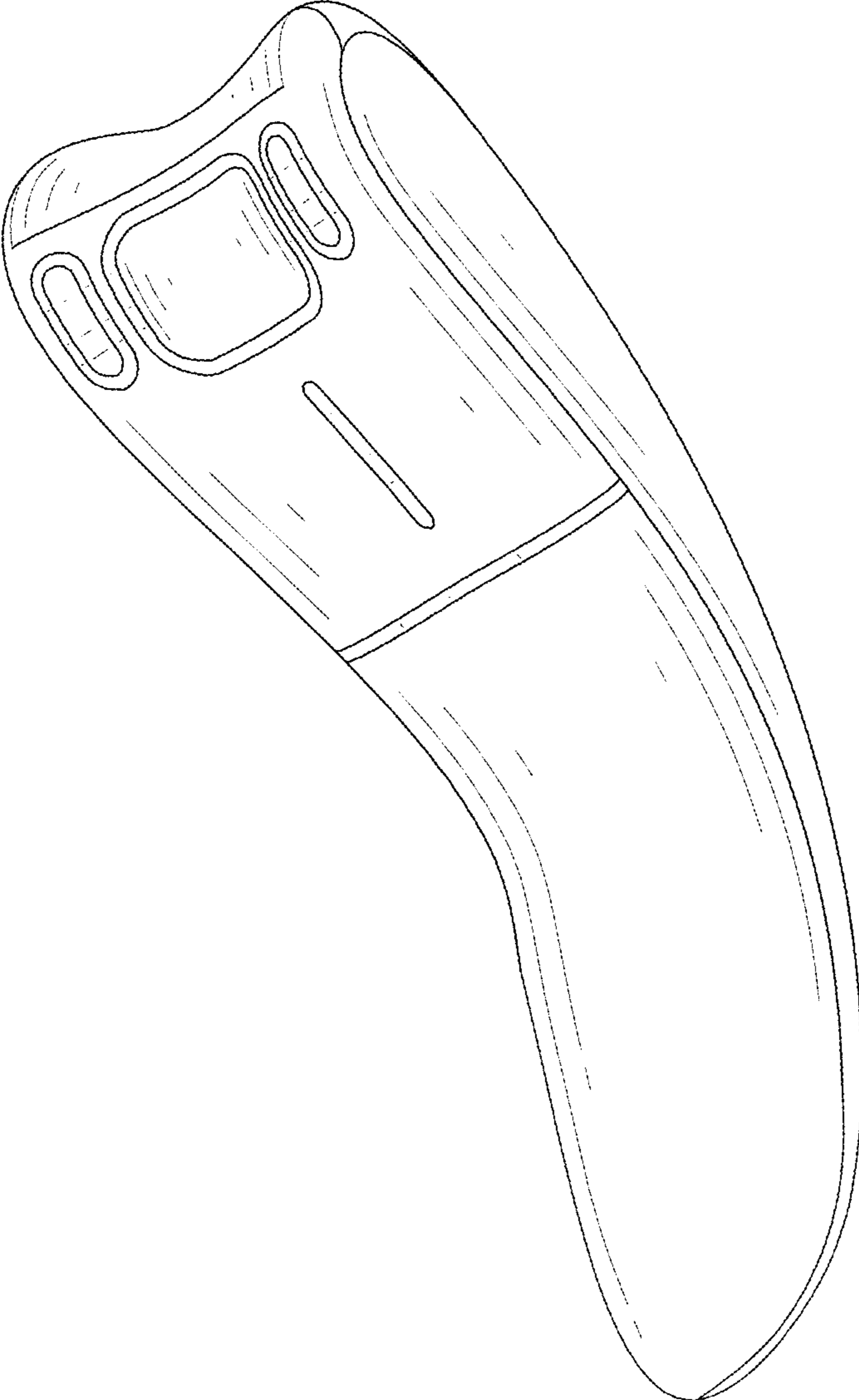


FIG. 2

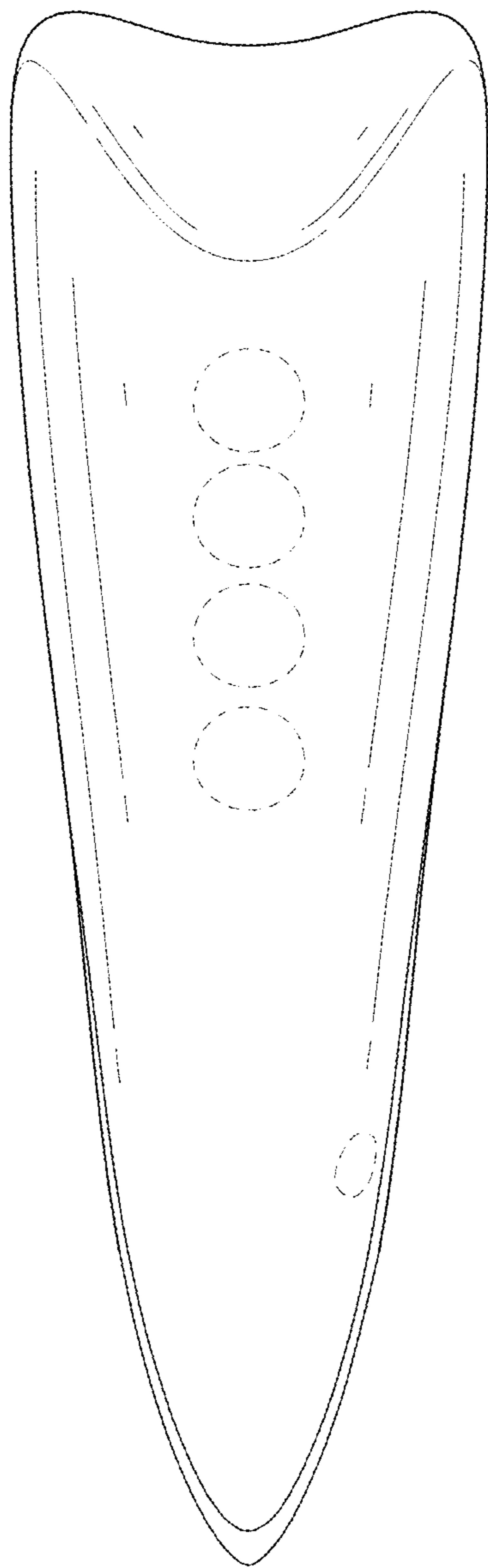


FIG. 3

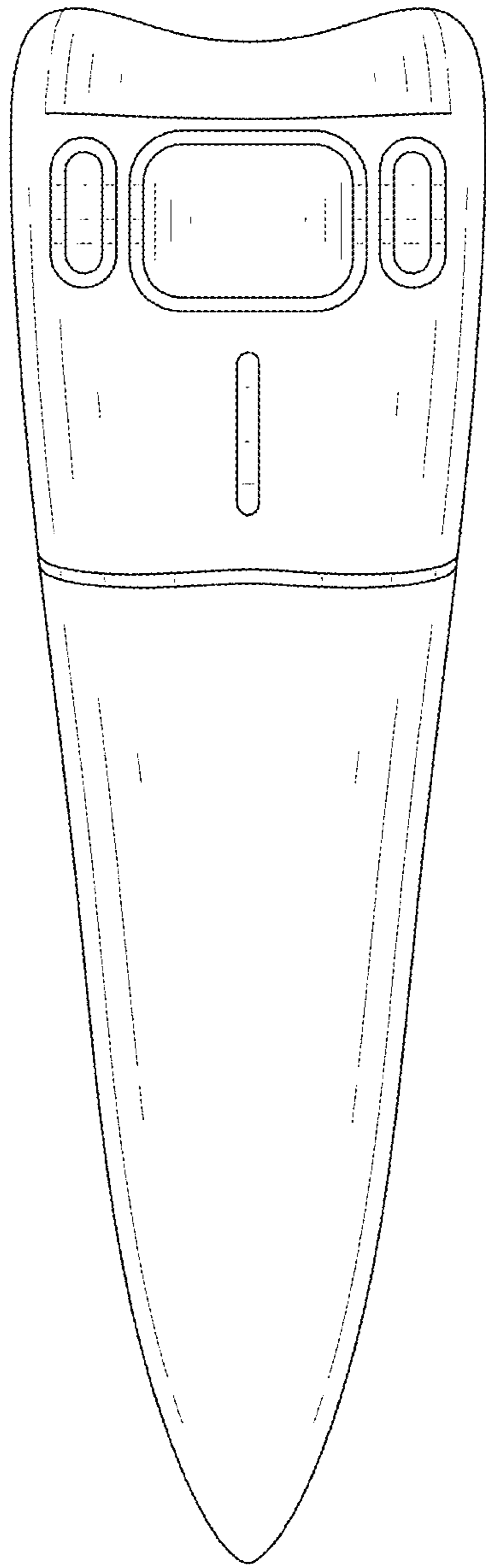


FIG. 4

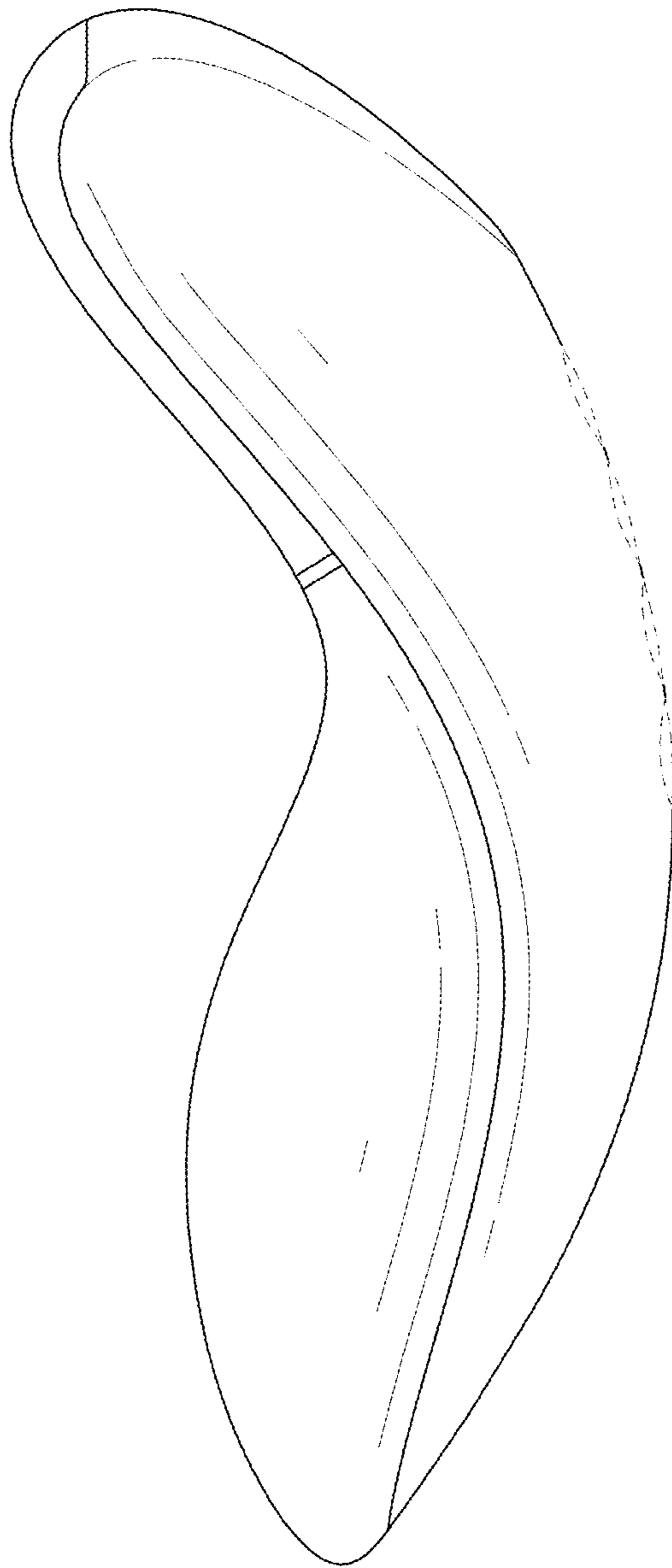


FIG. 5

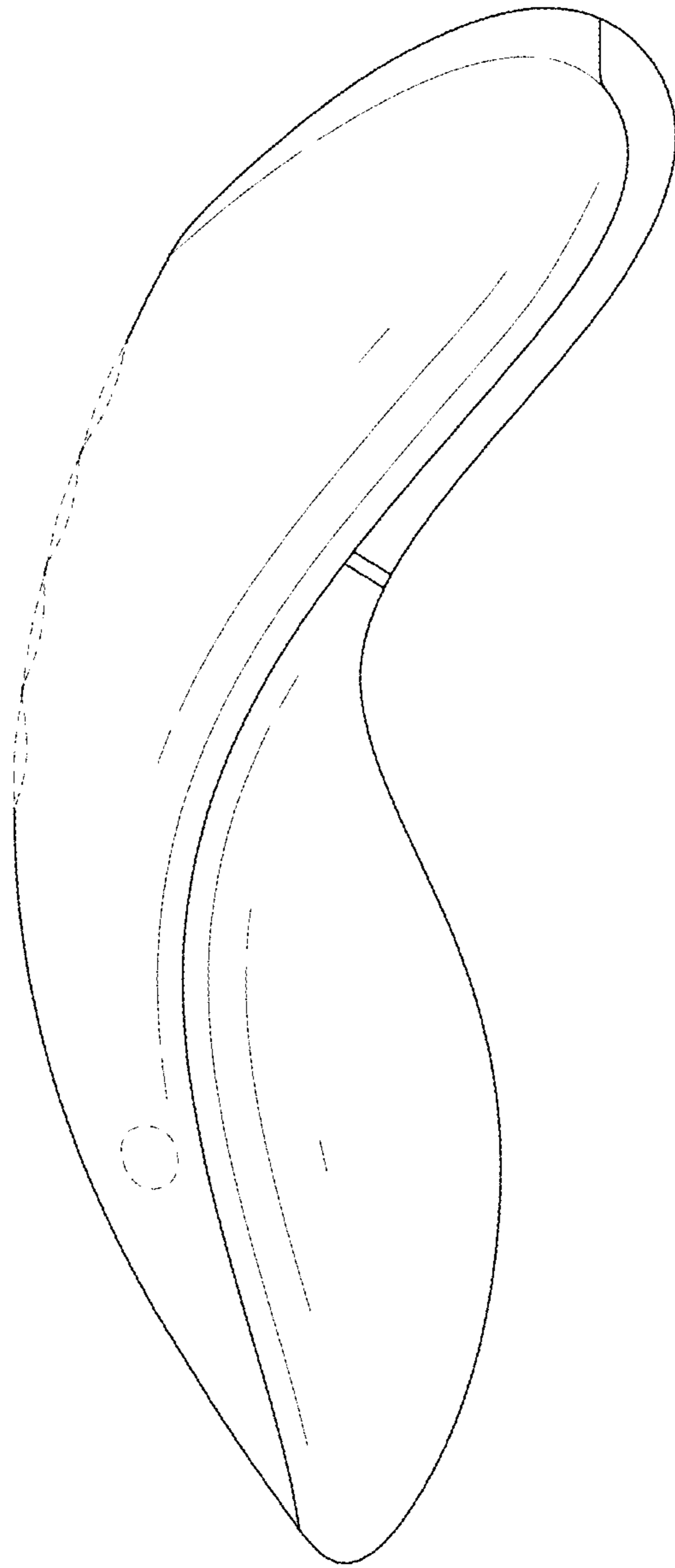


FIG. 6

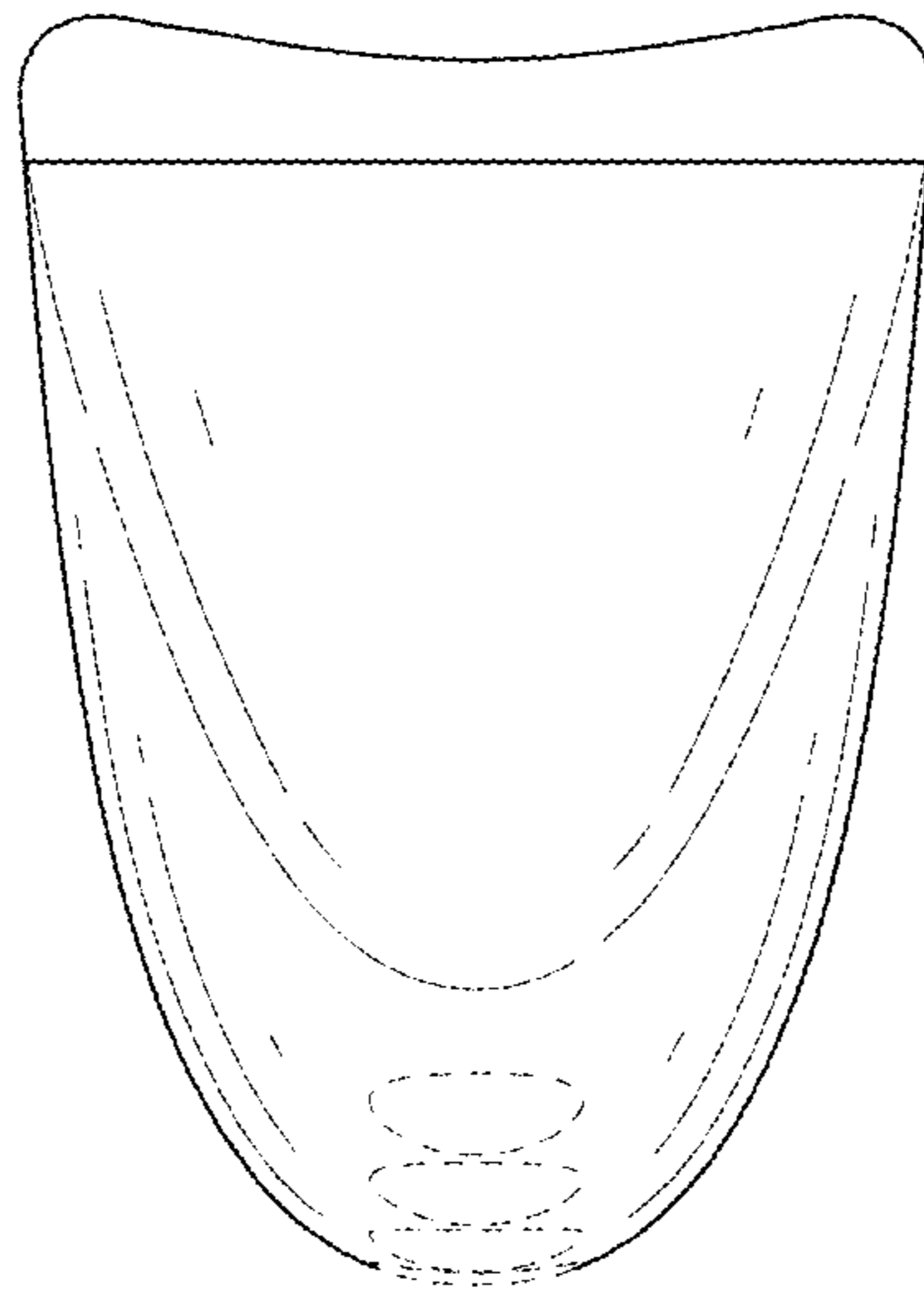


FIG. 7

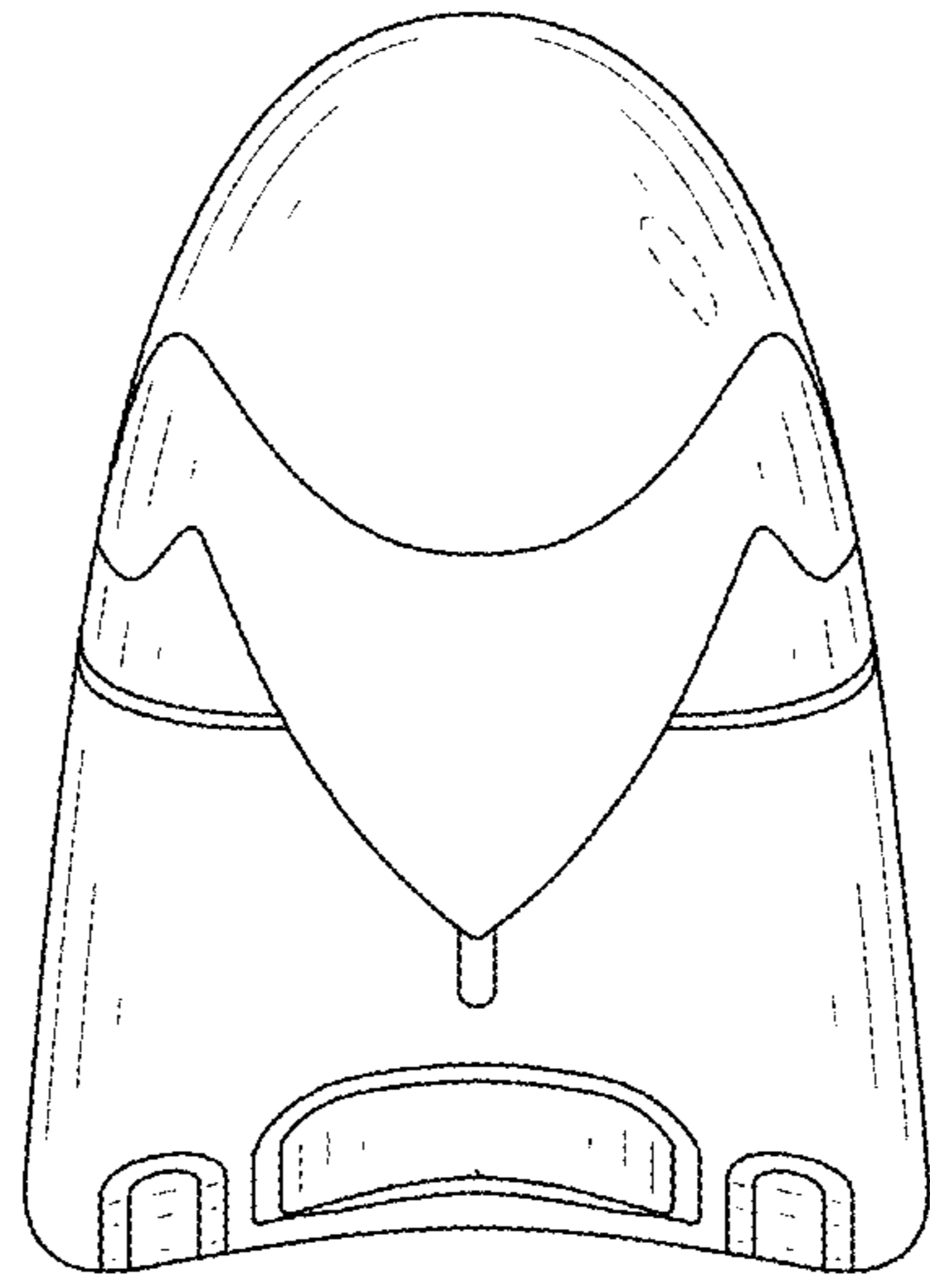


FIG. 8