



US00D975297S

(12) **United States Design Patent**  
**Liu et al.**

(10) **Patent No.:** **US D975,297 S**  
(45) **Date of Patent:** **\*\* Jan. 10, 2023**

(54) **MASSAGER**

(71) Applicants: **BIBOTING INTERNATIONAL CO., LTD.**, Taoyuan (TW); **Po-Chang Liu**, Taoyuan (TW)

(72) Inventors: **Po-Chang Liu**, Taoyuan (TW); **Li-Pin Yuan**, Taoyuan (TW)

(73) Assignees: **BIBOTING INTERNATIONAL CO., LTD.**, Taoyuan (TW); **Po-Chang Liu**, Taoyuan (TW)

(\*\*) Term: **15 Years**

(21) Appl. No.: **29/736,620**

(22) Filed: **Jun. 2, 2020**

(51) **LOC (14) Cl.** ..... **28-03**

(52) **U.S. Cl.**  
USPC ..... **D24/215**

(58) **Field of Classification Search**  
USPC ..... D24/215, 200, 211, 212, 213, 214, 133, D24/107, 231, 184, 108, 138, 146, 232; D4/100, 102; D28/4, 58, 57; 4/199  
CPC .... A61H 2230/65; A61H 23/00; A61H 23/02; A61H 7/00; A61H 7/003; A61H 7/004; A61H 9/0057; A61M 2210/04; A61B 2017/00761; A61N 1/328  
See application file for complete search history.

(56) **References Cited**

**U.S. PATENT DOCUMENTS**

D629,884 S *	12/2010	Stephens	.....	D24/108
D670,373 S *	11/2012	Taylor	.....	D24/108
D680,640 S *	4/2013	Merchant	.....	D24/108
D794,784 S *	8/2017	Bradley	.....	D24/133
D829,921 S *	10/2018	Xiong	.....	D24/214
D840,546 S *	2/2019	Xiangmei	.....	D24/209
D880,710 S *	4/2020	Amoyal	.....	D24/209
D884,203 S *	5/2020	Segev	.....	D24/209

D905,259 S *	12/2020	Wang	.....	D24/214
D942,029 S *	1/2022	Wang	.....	D24/214
2014/0358200 A1 *	12/2014	Ko	.....	A61N 1/06 607/101
2015/0045702 A1 *	2/2015	Lin	.....	A61H 7/003 601/19
2017/0128130 A1 *	5/2017	Giraud	.....	A61H 1/008

**OTHER PUBLICATIONS**

Sheric—Electric Gua Sha Scraping Massager. Date: Feb. 15, 2020. [online]. [Site visited May 18, 2022]. Available from Internet URL: <https://www.amazon.com/dp/B084TFWN73/> (Year: 2020).\*

(Continued)

*Primary Examiner* — Eliza Z Harvey

*Assistant Examiner* — Landon Thomas Cassell

(74) *Attorney, Agent, or Firm* — Chun-Ming Shih; HDLS IPR Services

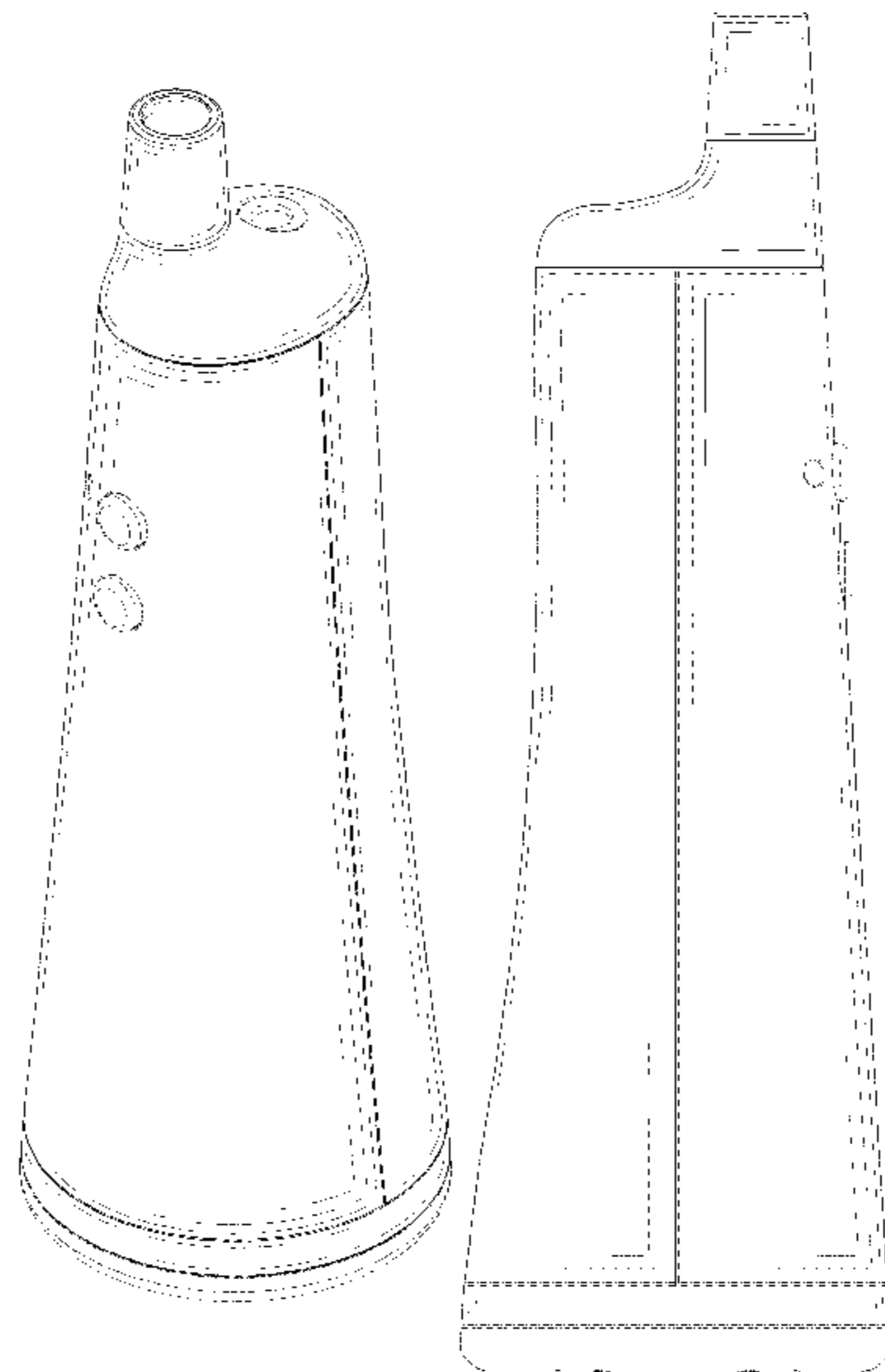
(57) **CLAIM**

The ornamental design for a massager, as shown and described.

**DESCRIPTION**

FIG. 1 is a perspective view of a massager showing our new design;  
FIG. 2 is a front view thereof;  
FIG. 3 is a rear view thereof;  
FIG. 4 is a left side view thereof;  
FIG. 5 is a right side view thereof;  
FIG. 6 is a top view thereof;  
FIG. 7 is a bottom view thereof;  
FIG. 8 is second perspective view thereof;  
FIG. 9 is third perspective view thereof; and,  
FIG. 10 is a perspective view thereof in an alternate configuration of use.  
The broken lines in the drawings illustrate portions of the massager that form no part of the claimed design.

**1 Claim, 10 Drawing Sheets**



(56)

**References Cited**

OTHER PUBLICATIONS

Yofuly—Body slimming Machine. Date: Dec. 13, 2019. [online]. [Site visited May 18, 2022]. Available from Internet URL: <https://www.amazon.co.uk/dp/B082PJHG4Y/> (Year: 2019).\*

Massagers. (Design—© Questel) orbit.com. [Online PDF compilation of references] 46 pgs. Print Dates Range Mar. 6, 2013-Oct. 14, 2020 [Retrieved May 20, 2022] <https://www.orbit.com/export/UCZAH96B/pdf4/79b3f94f-071b-42c5-b8da-e39b0ef1bb3a-195820.pdf> (Year: 2022).\*

\* cited by examiner

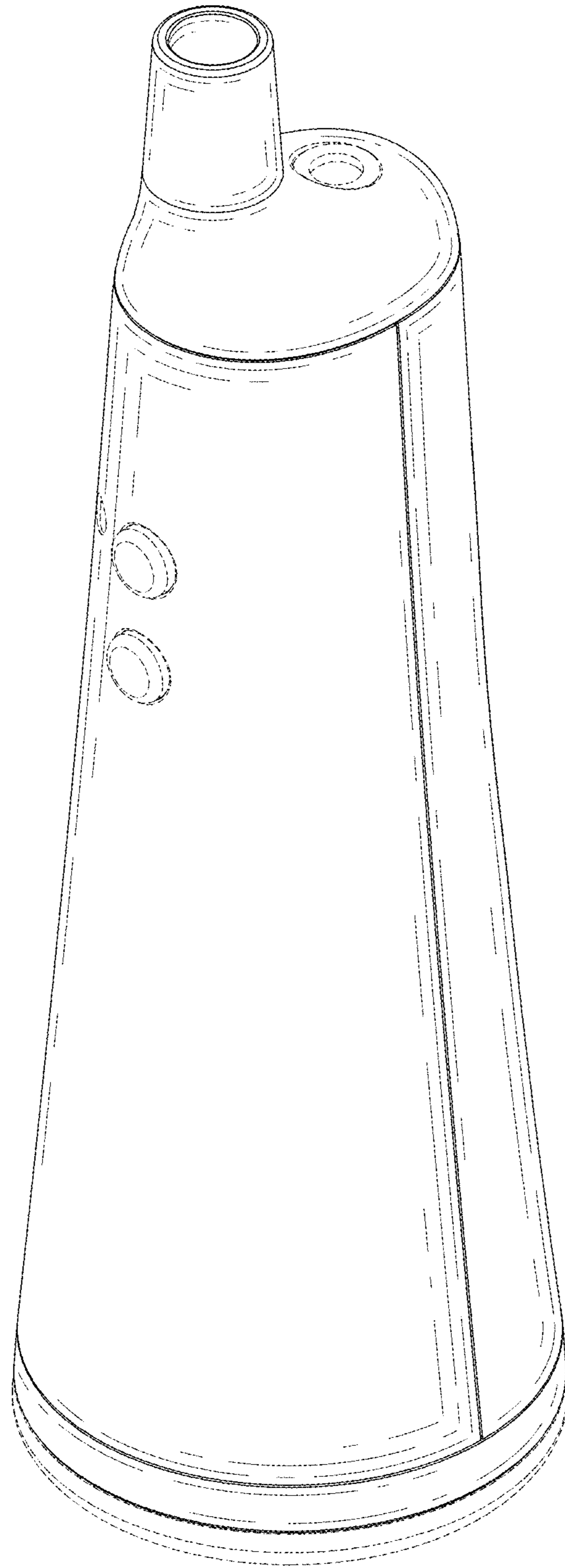


FIG.1

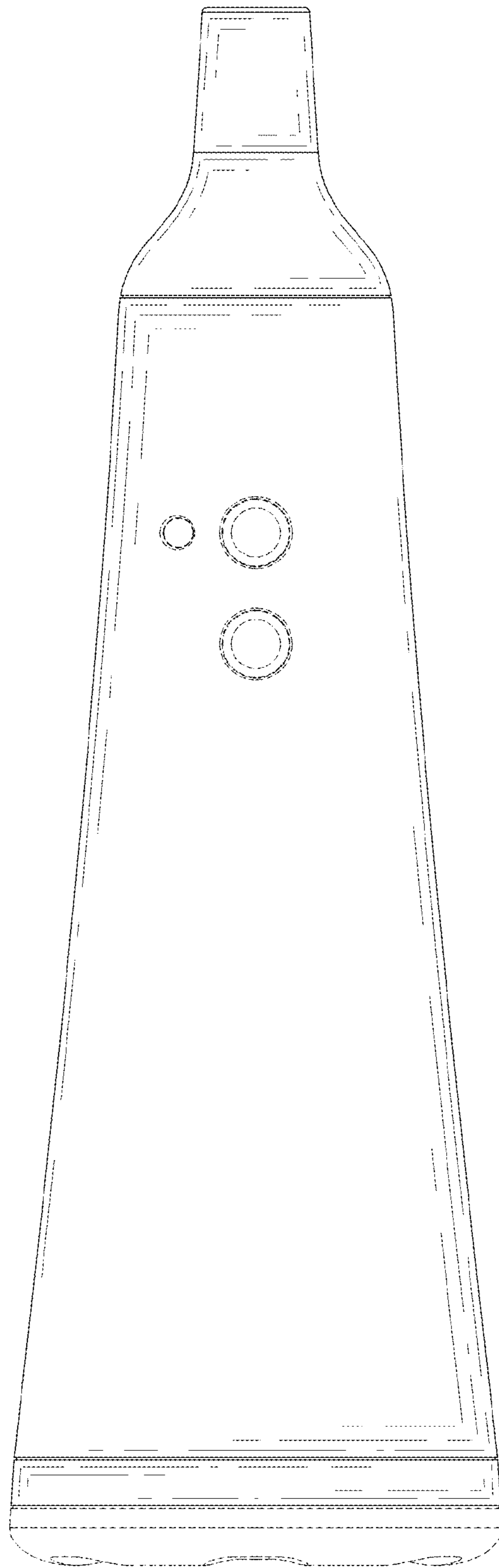


FIG. 2

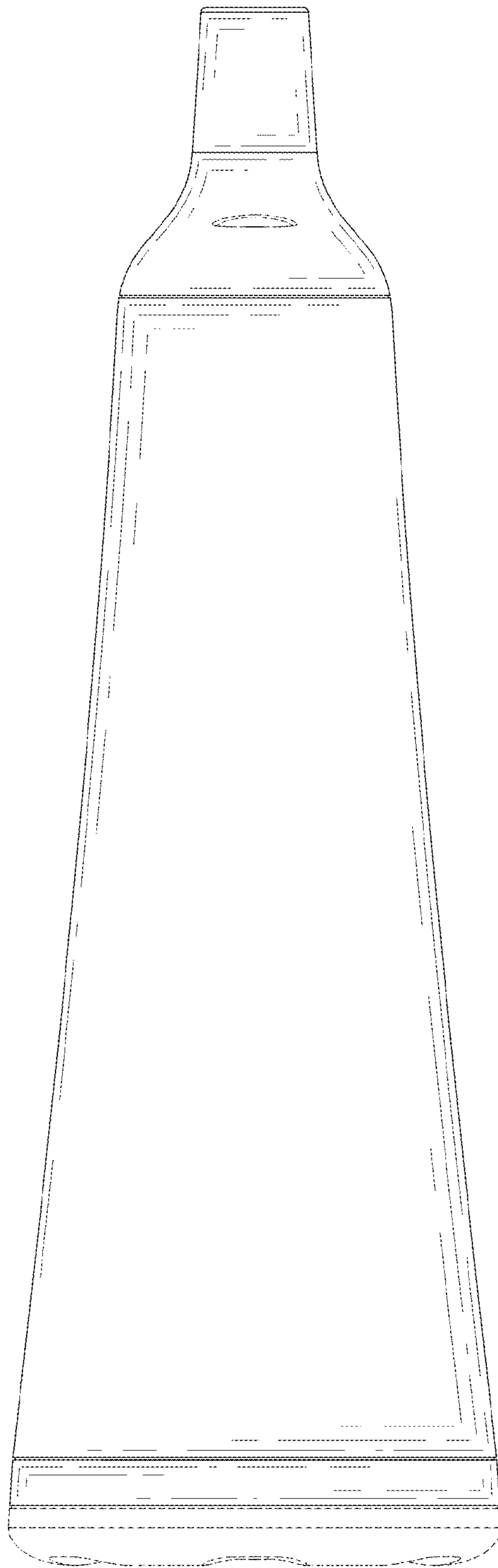


FIG. 3

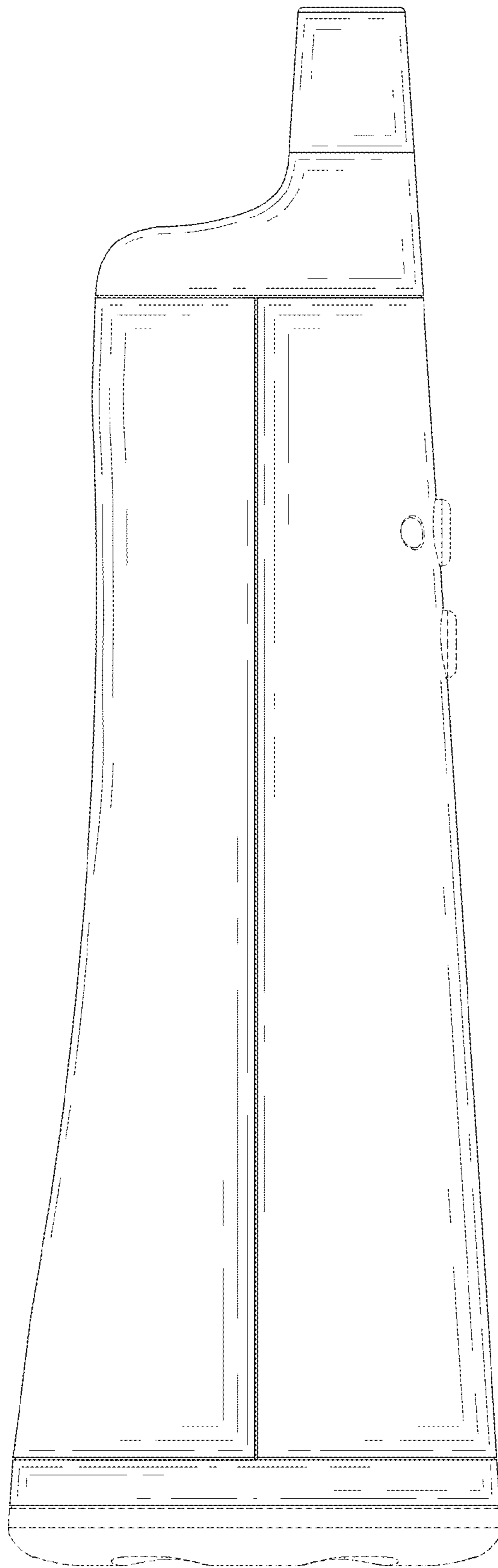


FIG.4

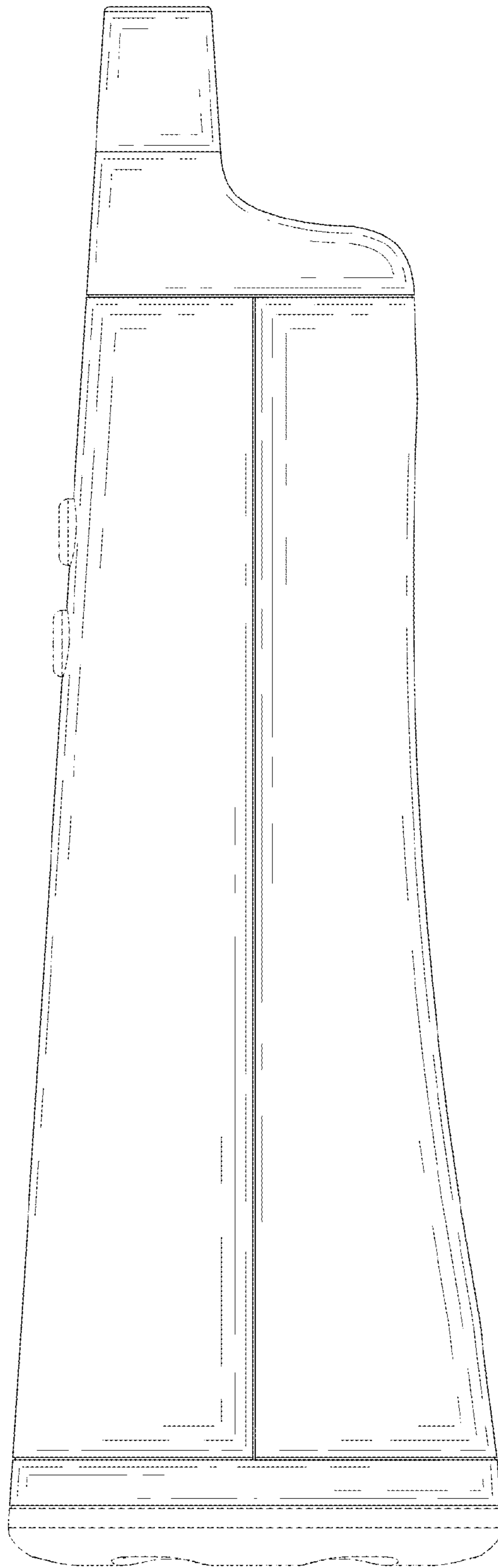


FIG.5

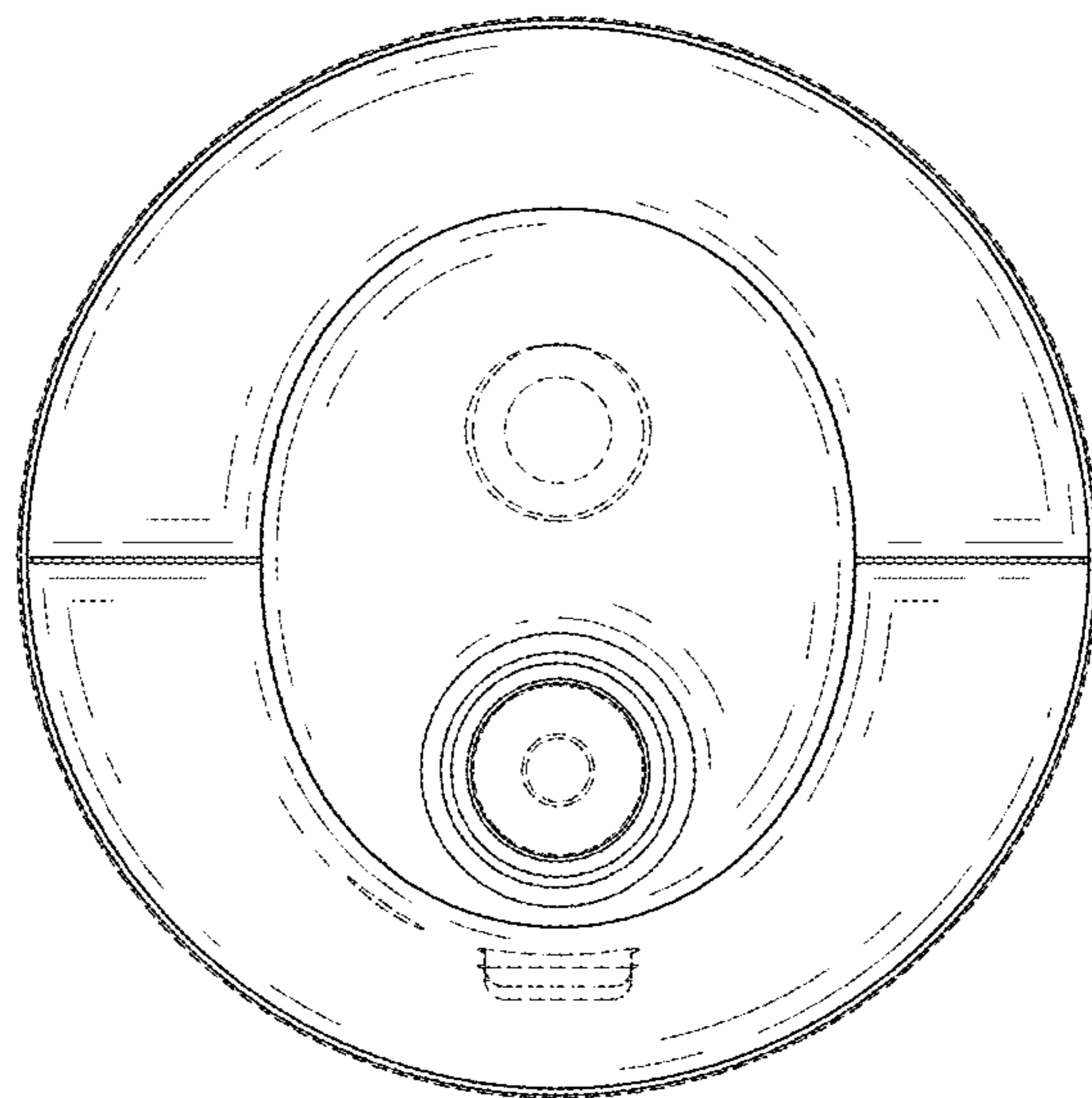


FIG.6



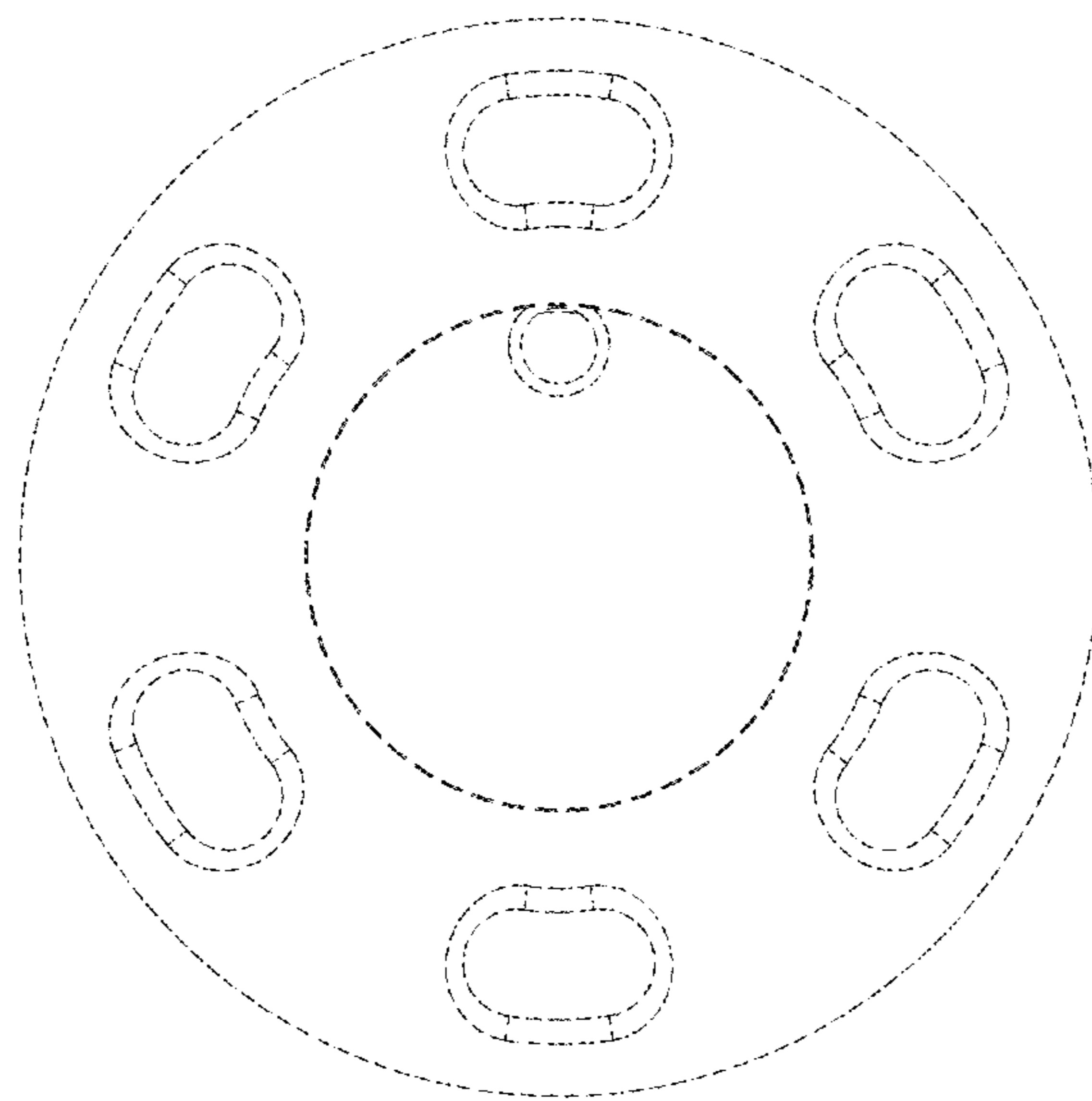


FIG. 7

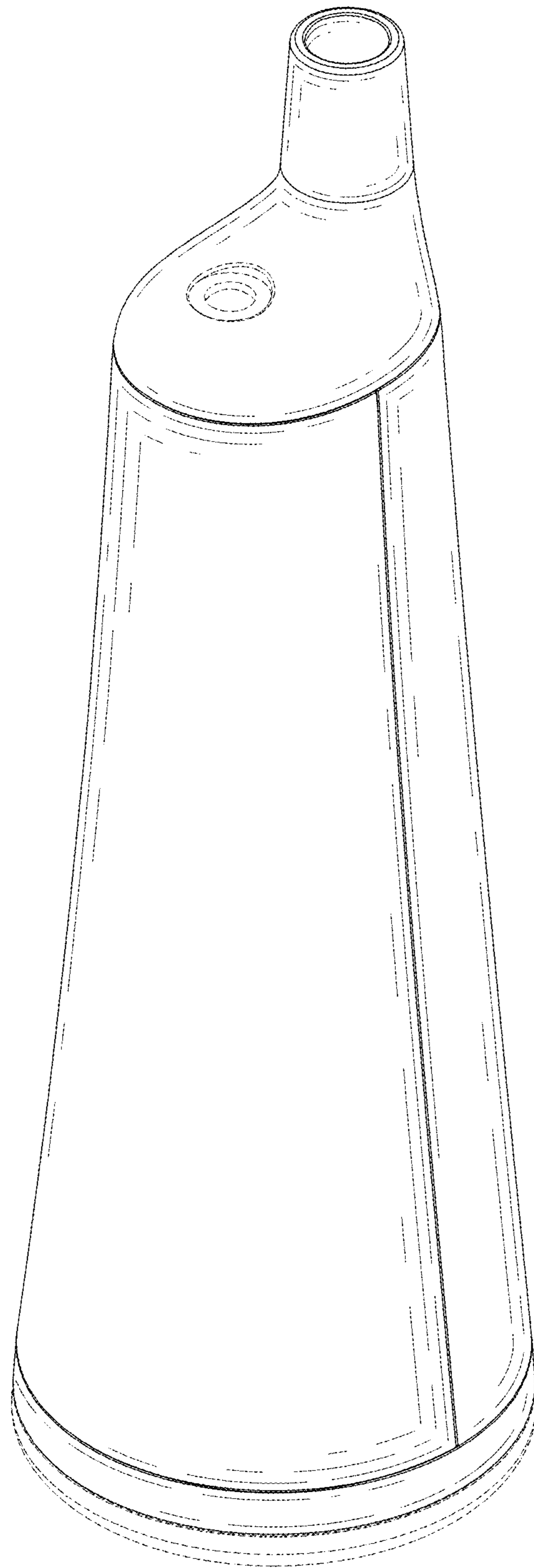


FIG.8

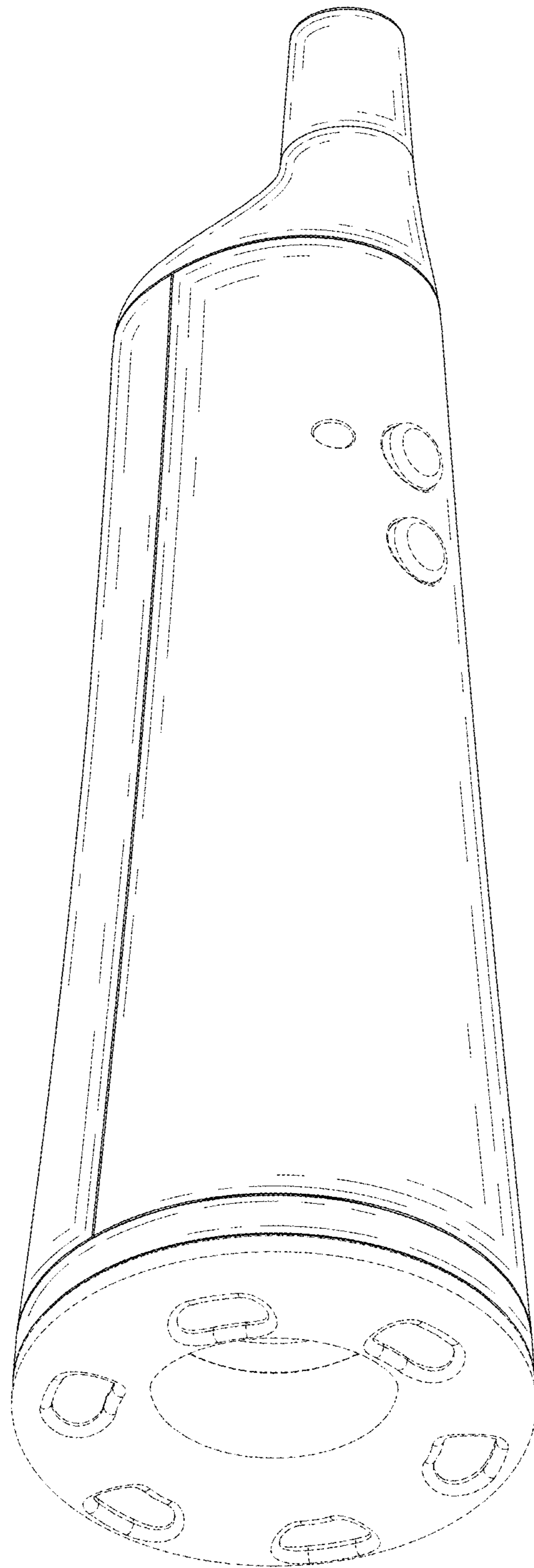


FIG.9

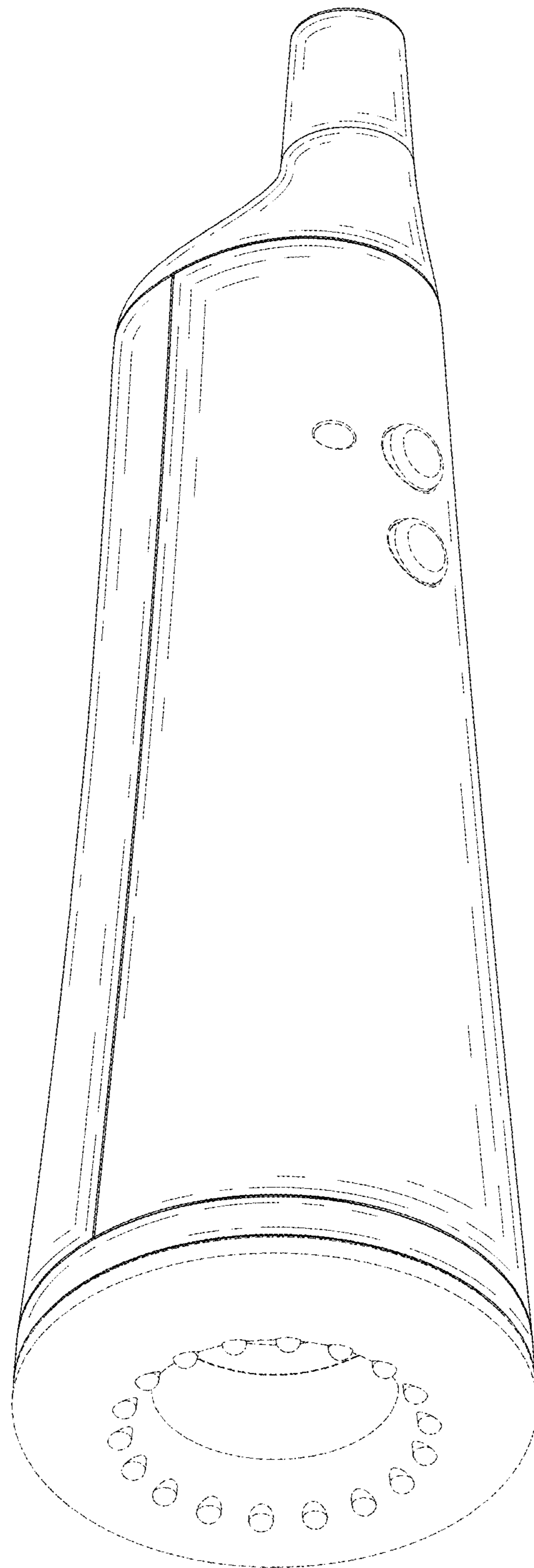


FIG.10