



US00D975295S

(12) **United States Design Patent**  
**Li**

(10) **Patent No.:** **US D975,295 S**  
(45) **Date of Patent:** **\*\* Jan. 10, 2023**

(54) **TEETHING TOY**

- (71) Applicant: **Jing Li**, Montreal (CA)
- (72) Inventor: **Jing Li**, Montreal (CA)
- (\*\*) Term: **15 Years**
- (21) Appl. No.: **29/840,614**
- (22) Filed: **May 31, 2022**
- (51) **LOC (14) Cl.** ..... **24-04**
- (52) **U.S. Cl.**  
USPC ..... **D24/195**
- (58) **Field of Classification Search**  
USPC ..... D24/193, 194, 195, 214; D30/160;  
D1/104, 106, 107, 108, 110, 115, 116;  
D4/104, 107; D29/113, 118, 123  
CPC ..... A61J 17/02; A61J 9/005; A46B 5/023;  
A46B 15/0097  
See application file for complete search history.

(56) **References Cited**

**U.S. PATENT DOCUMENTS**

D528,251 S *	9/2006	Lion	.....	D29/118
D698,399 S *	1/2014	Friedland	.....	D21/572
D698,954 S *	2/2014	Wang	.....	D26/38
D704,847 S	5/2014	Huang		
D750,791 S	3/2016	Hardisty		
D866,774 S *	11/2019	Wang	.....	D24/194
D866,775 S *	11/2019	Peng	.....	D24/195
D887,016 S *	6/2020	Aslan	.....	D24/195
D895,819 S *	9/2020	Douglas	.....	D24/195
D907,786 S *	1/2021	Khersonenko	.....	D24/195
D950,080 S *	4/2022	Edlund Tjernberg	.....	D24/195
2015/0209240 A1 *	7/2015	Steward	.....	A61J 17/02 606/235
2018/0055741 A1 *	3/2018	Hyslop	.....	A41D 19/0024
2020/0352828 A1 *	11/2020	Romig	.....	A61J 17/02
2021/0322282 A1 *	10/2021	Lee	.....	A61J 17/02

**OTHER PUBLICATIONS**

- “CozyPanda: Baby Teether: ChickChick Never-Drop Mitt”. Found online Aug. 12, 2022 at amazon.com. Reference dated May 5, 2022. Retrieved from <https://www.amazon.com/COZYPANDA-Teether-Teething-Silicone-Pacifier/dp/B09W91X7JW/>.\*
- “Smily Mia: Penguin Buddy Never-Drop Mitt”. Found online Jul. 7, 2022 at amazon.co.uk. Reference dated Nov. 17, 2020. Retrieved from <https://www.amazon.co.uk/Smily-Mia-Wearable-Breast-Feeding-Pacifiers/dp/B08NQ169XF/>.\*
- “Towwi: Baby Teether: Bear Never-Drop Mitt”. Found online Jul. 7, 2022 at amazon.com. Reference dated Oct. 16, 2021. Retrieved from <https://www.amazon.com/Towwi-Wrapped-Teething-Toddler-Washable/dp/B09DSQD7NX/>.\*
- “Teething Toes: Baby Sock Teether”. Found online Jul. 16, 2019 at desertcart.ae. Reference dated Jun. 28, 2016. Retrieved from <https://www.desertcart.ae/products/30850108-teething-toes-blue>.\*

\* cited by examiner

*Primary Examiner* — Kendra Leslie Hamilton

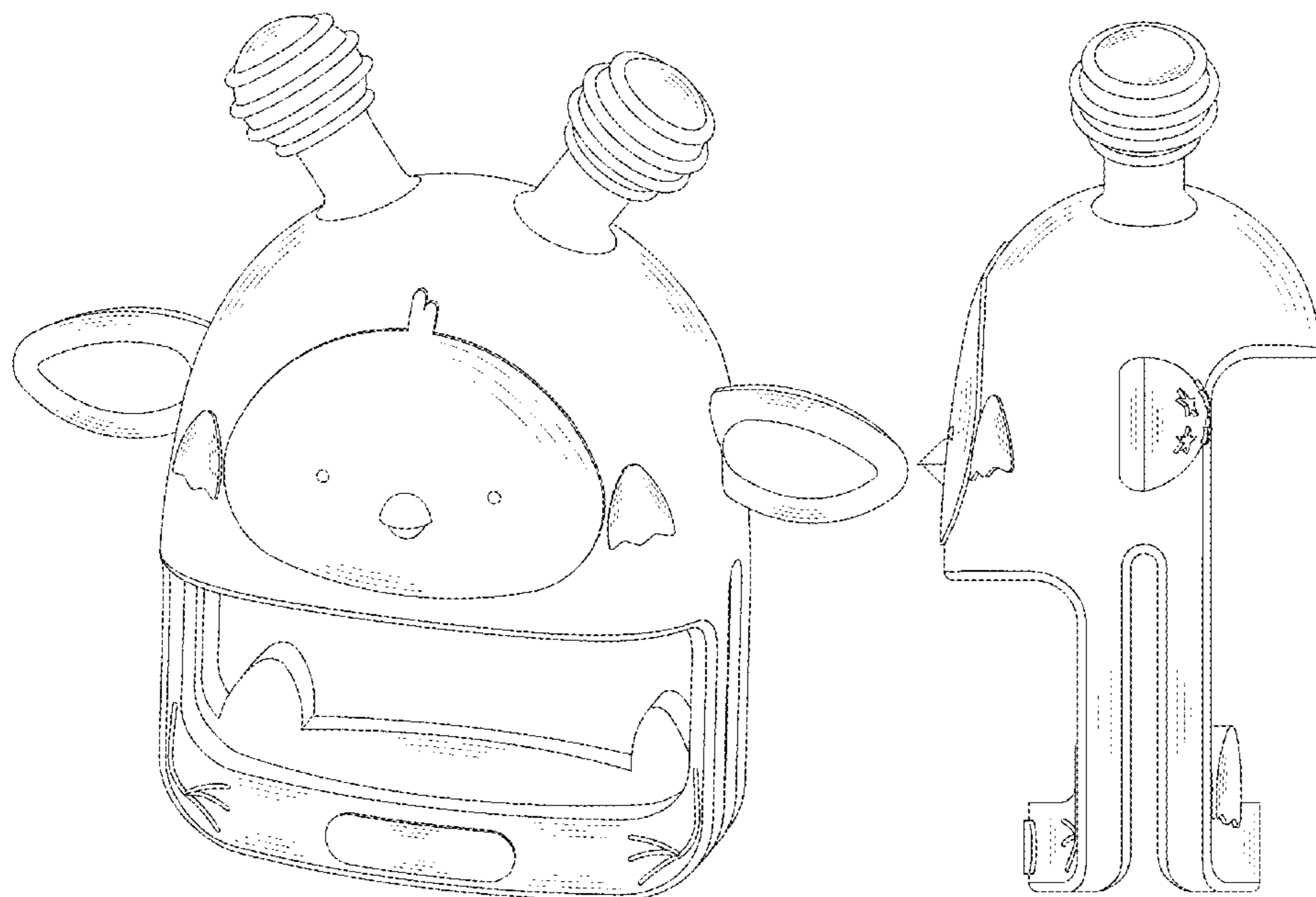
(57) **CLAIM**

The ornamental design for a teething toy, substantially as shown and described.

**DESCRIPTION**

FIG. 1 is a top, front and right side perspective view of a teething toy showing my new design;  
 FIG. 2 is a rear, bottom, right side perspective view thereof;  
 FIG. 3 is a front view thereof;  
 FIG. 4 is a back view thereof;  
 FIG. 5 is a left view thereof;  
 FIG. 6 is a right view thereof;  
 FIG. 7 is a top view thereof; and,  
 FIG. 8 is a bottom view thereof.

**1 Claim, 8 Drawing Sheets**



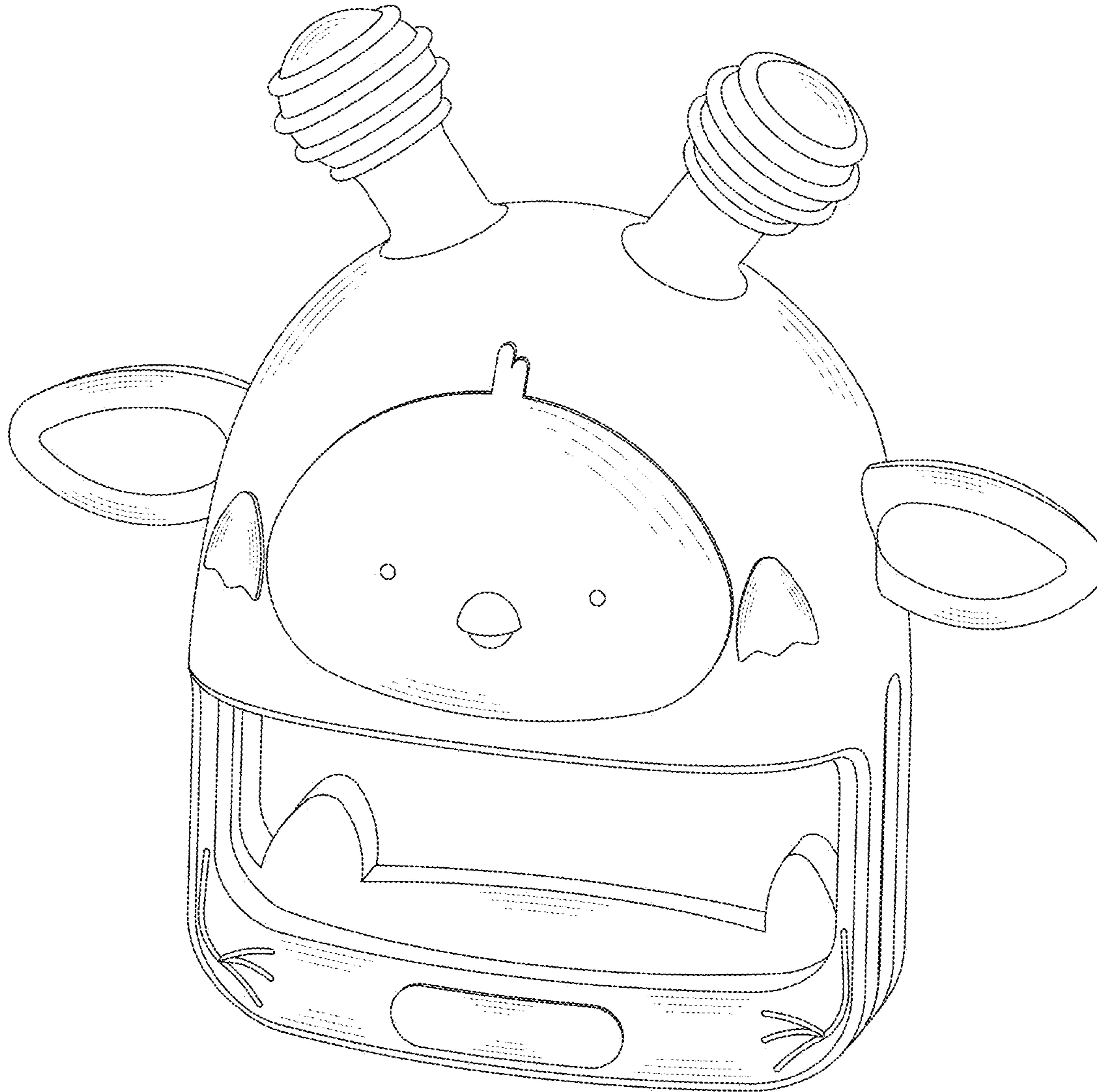


FIG. 1

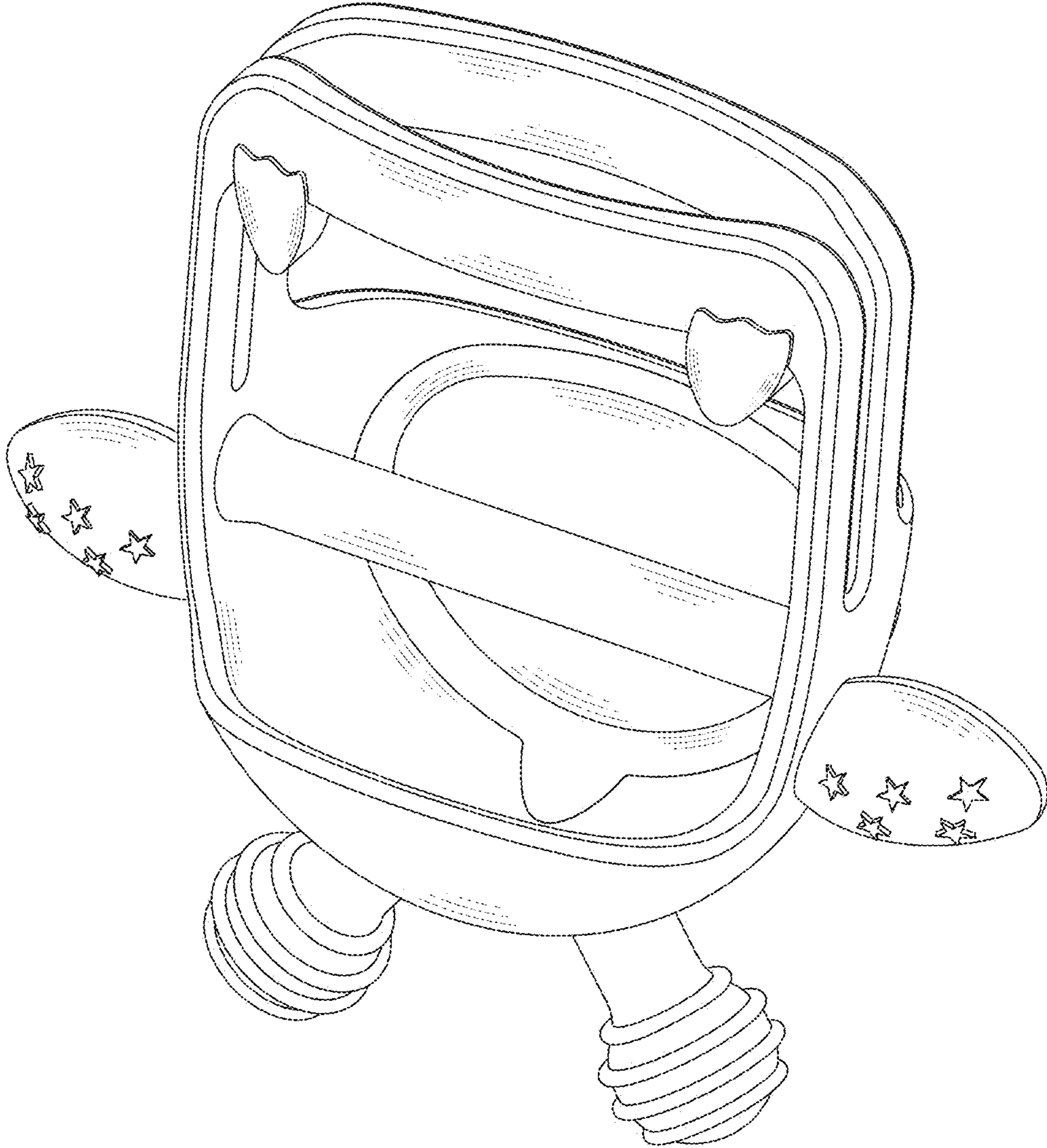


FIG. 2



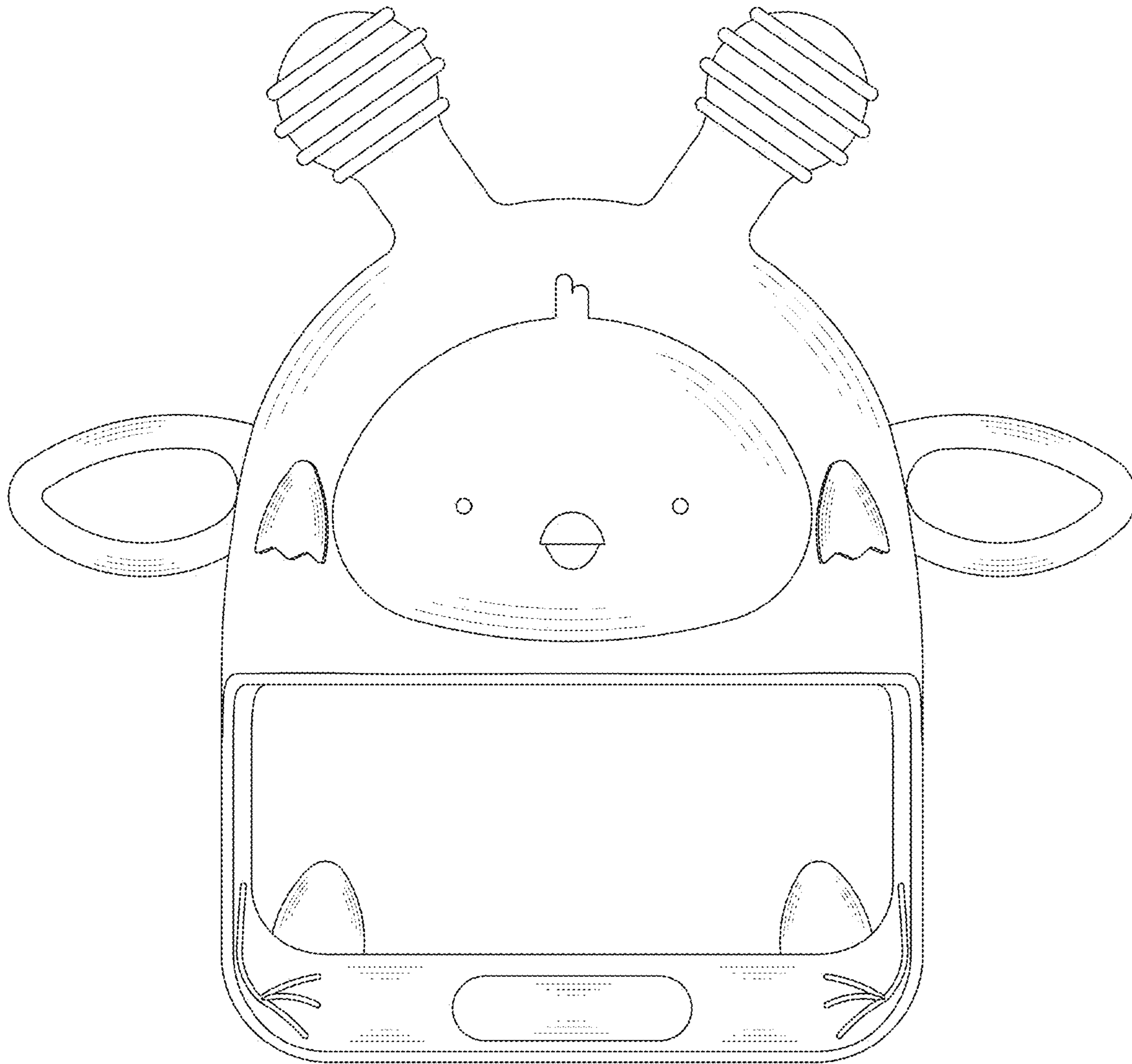


FIG. 3

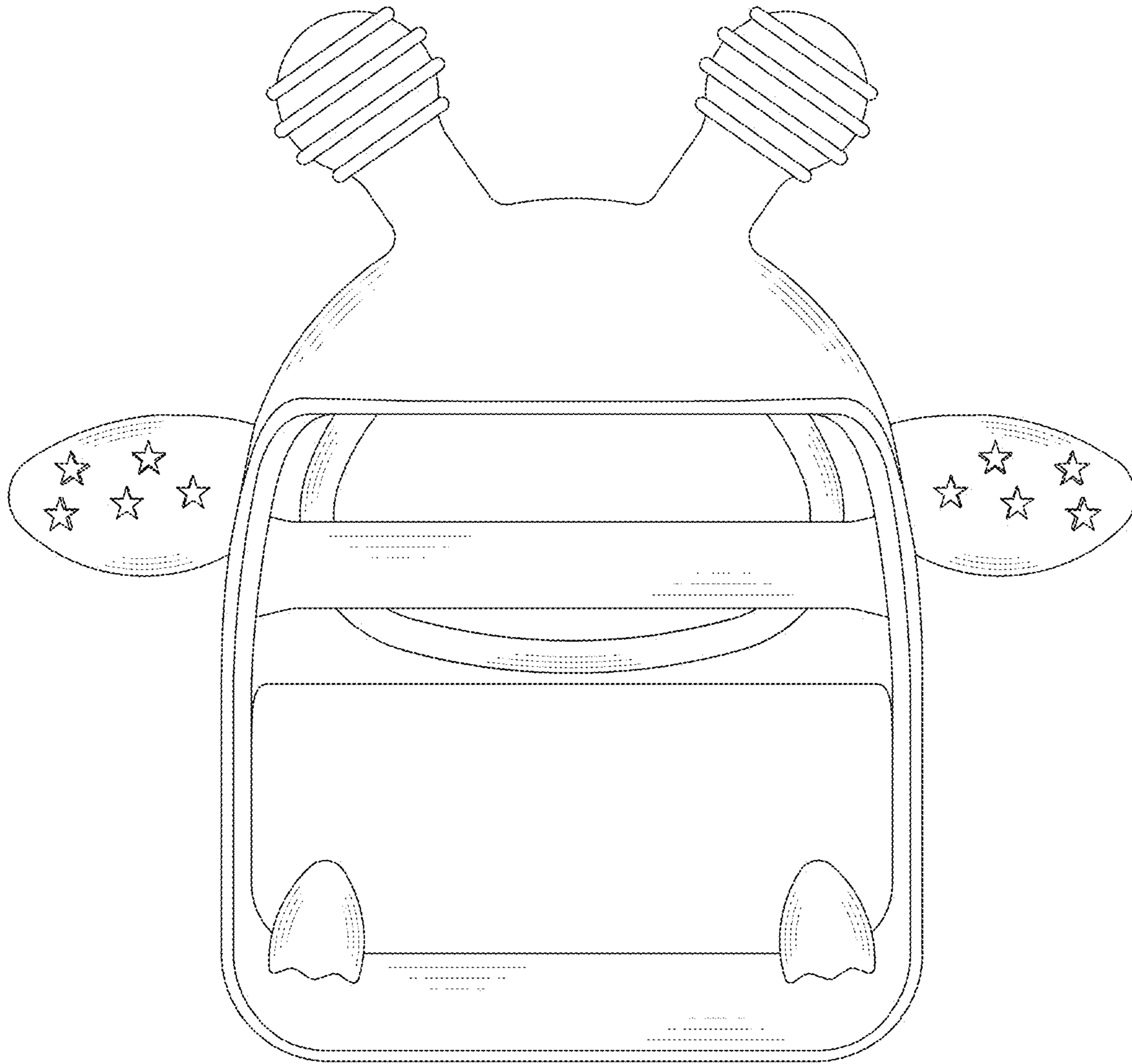


FIG. 4

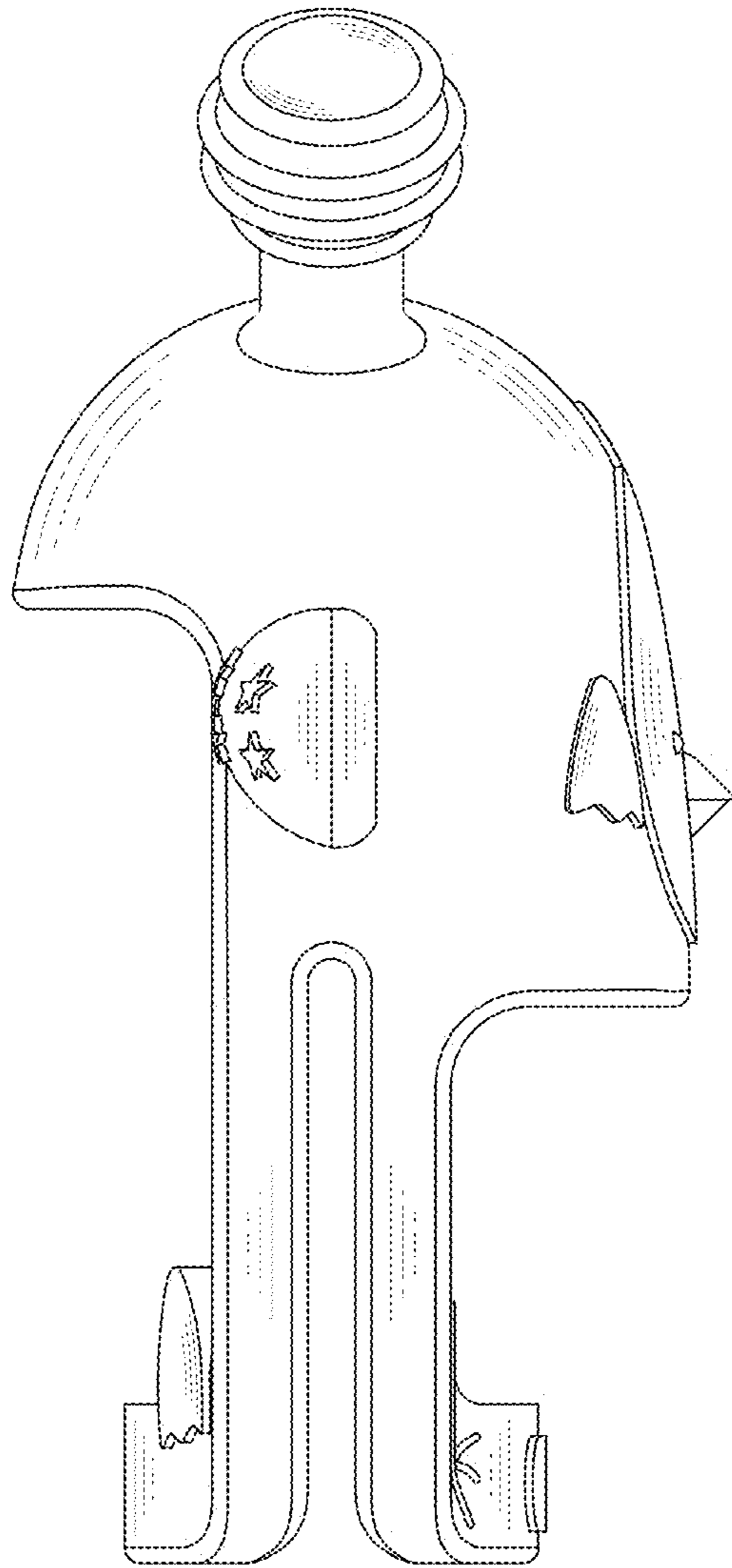


FIG. 5

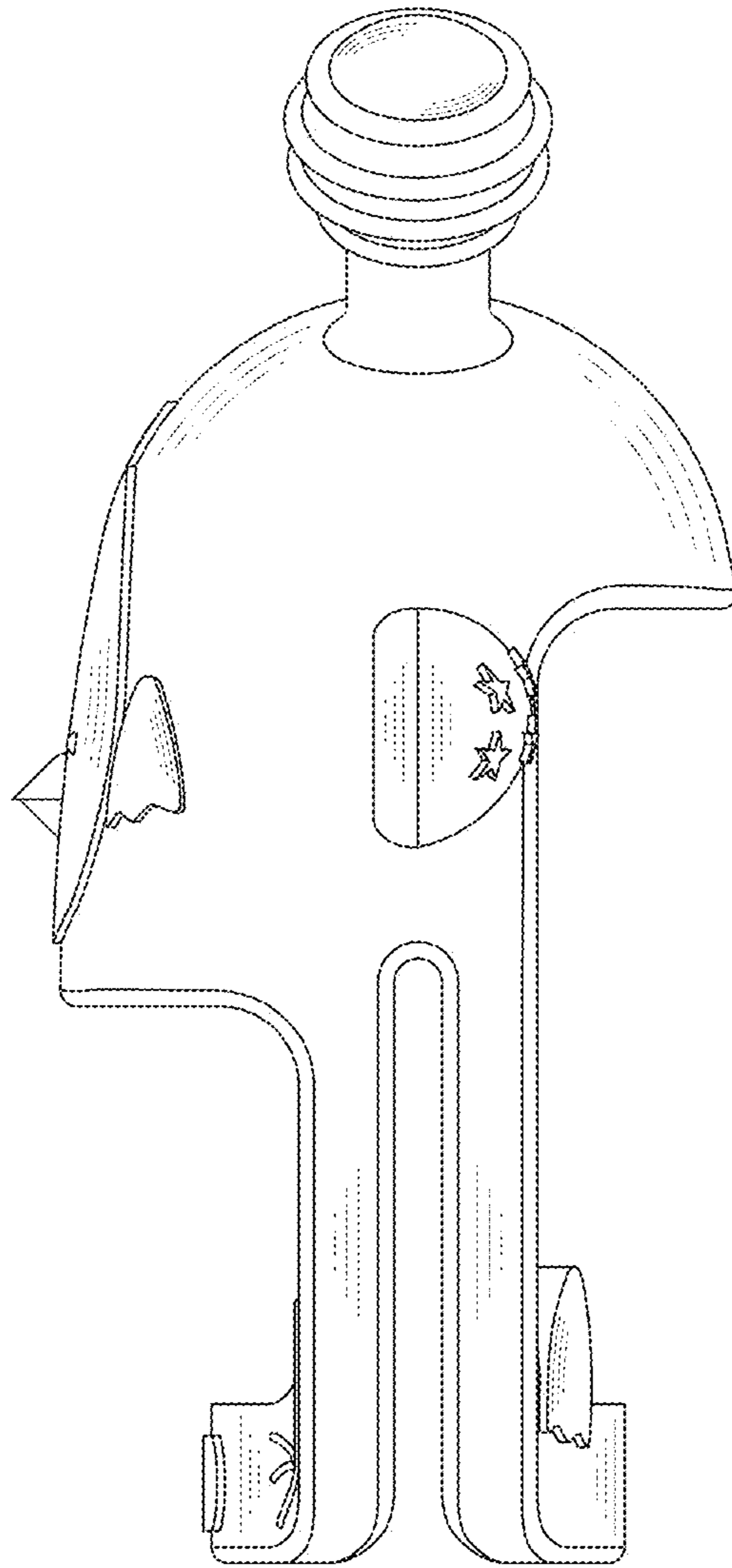


FIG. 6

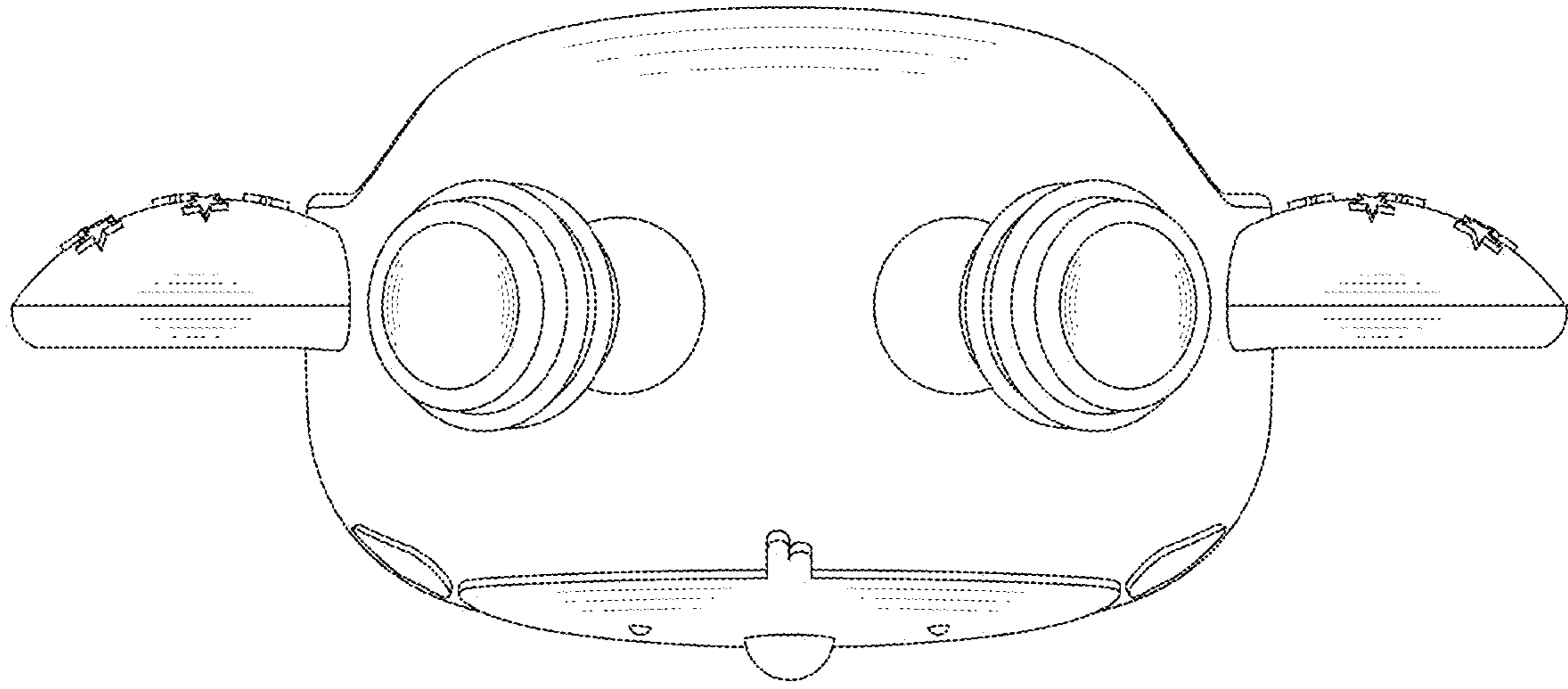


FIG. 7



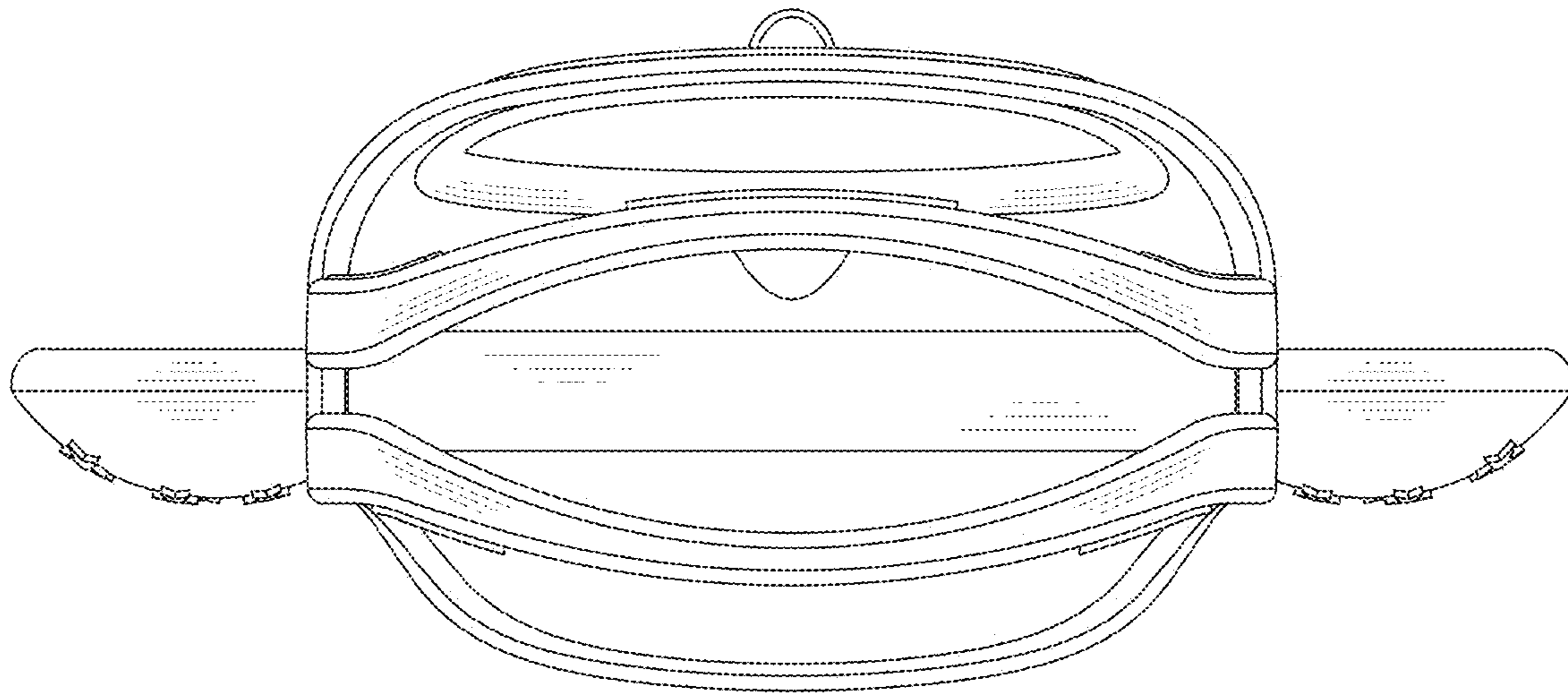


FIG. 8