



US00D975294S

(12) **United States Design Patent**
Schneider

(10) **Patent No.:** **US D975,294 S**

(45) **Date of Patent:** **** Jan. 10, 2023**

(54) **PACIFIER**

(71) Applicant: **Trebco, LLC**, Orange, CT (US)

(72) Inventor: **Carla J. Schneider**, Orange, CT (US)

(73) Assignee: **TREBCO, LLC**, Orange, CT (US)

(**) Term: **15 Years**

(21) Appl. No.: **29/831,681**

(22) Filed: **Mar. 22, 2022**

Related U.S. Application Data

(62) Division of application No. 29/733,259, filed on Apr. 30, 2020.

(51) **LOC (14) Cl.** **24-04**

(52) **U.S. Cl.**
USPC **D24/194**

(58) **Field of Classification Search**
USPC D24/193, 194, 195, 199, 214; D29/118,
D29/122; D30/154, 160; D4/104, 107;
D2/614; D21/576, 584, 596, 604, 611,
D21/630, 643, 684, 725; D11/81
CPC A61J 17/001; A61J 17/111; A61J 17/02;
A61J 17/1111

See application file for complete search history.

(56) **References Cited**

U.S. PATENT DOCUMENTS

D610,691 S *	2/2010	Benedetto	D24/194
D655,015 S *	2/2012	Castro Barreras	D24/194
D740,430 S *	10/2015	Oates, II	D24/194
9,439,836 B1 *	9/2016	Thomas	A61J 17/001
D914,894 S *	3/2021	Koyama	D24/194
D923,802 S *	6/2021	Jones	D24/195
D928,973 S *	8/2021	Warden	D24/194
RE48,840 E *	12/2021	Kim	A61J 17/001
D940,340 S *	1/2022	Sturm	D24/188

2008/0215092 A1 *	9/2008	Smith	A61J 17/001 606/236
2016/0074286 A1 *	3/2016	Carter	A61J 17/02 606/235
2017/0326037 A1 *	11/2017	Molina	A61J 17/001
2021/0169745 A1 *	6/2021	Hakim	A61J 17/10

OTHER PUBLICATIONS

“WubbaNub Infant Pacifier—Giraffe”. Found online Dec. 30, 2021 at amazon.com. Reference dated Sep. 1, 2013. Retrieved from www.amazon.com/WubbaNub-25581-Infant-Pacifier-Giraffe/dp/B003CK3LDI/*

“Kean: Pacifier Adapter”. Found online Mar. 12, 2020 at facebook.com. Reference dated Mar. 2, 2016. Retrieved from www.facebook.com/www.siliconeteething.net/posts/1238719252809728?*

(Continued)

Primary Examiner — Kendra Leslie Hamilton

(74) *Attorney, Agent, or Firm* — Cowan, Liebowitz & Latman, P.C.; Anastasia Zhadina

(57) **CLAIM**

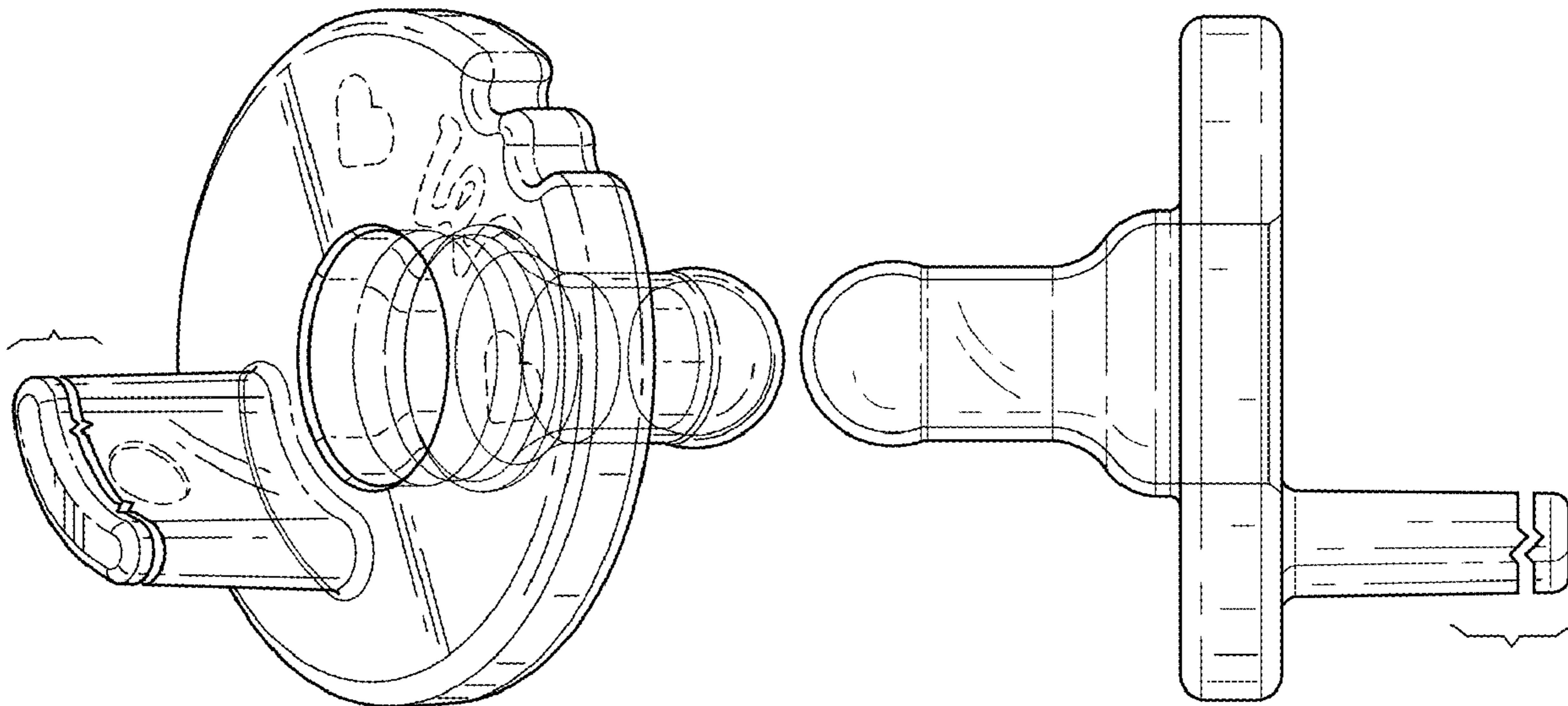
The ornamental design for a pacifier, as shown and described.

DESCRIPTION

FIG. 1 is a rear perspective view of the pacifier showing my design;
FIG. 2 is a rear view thereof;
FIG. 3 is a front view thereof;
FIG. 4 is a top view thereof;
FIG. 5 is a bottom view thereof;
FIG. 6 is a right side view thereof; and,
FIG. 7 is a left side view thereof.

The pacifier handle is shown with a symbolic break near its distal end. The appearance of any portion of the article between the break lines forms no part of the claimed design.

1 Claim, 2 Drawing Sheets



(56)

References Cited

OTHER PUBLICATIONS

“Nookums: Orthodontic Pacifier for Paci-Plushies”. Found online Dec. 30, 2021 at amazon.com. Reference dated Nov. 21, 2017. Retrieved from www.amazon.com/Nookums-Paci-Plushies-Replacement-Pacifier-Pack/dp/B0753LT2V7/.*

“CuddlesMe: Plush Sheep Toy with Detachable Pacifier”. Found online Sep. 11, 2018 at amazon.com. Reference dated Dec. 18, 2014. Retrieved from www.amazon.com/CuddlesMe-Detachable-Pacifier-Listed-Medical/dp/B00QFRMFP0/.*

* cited by examiner

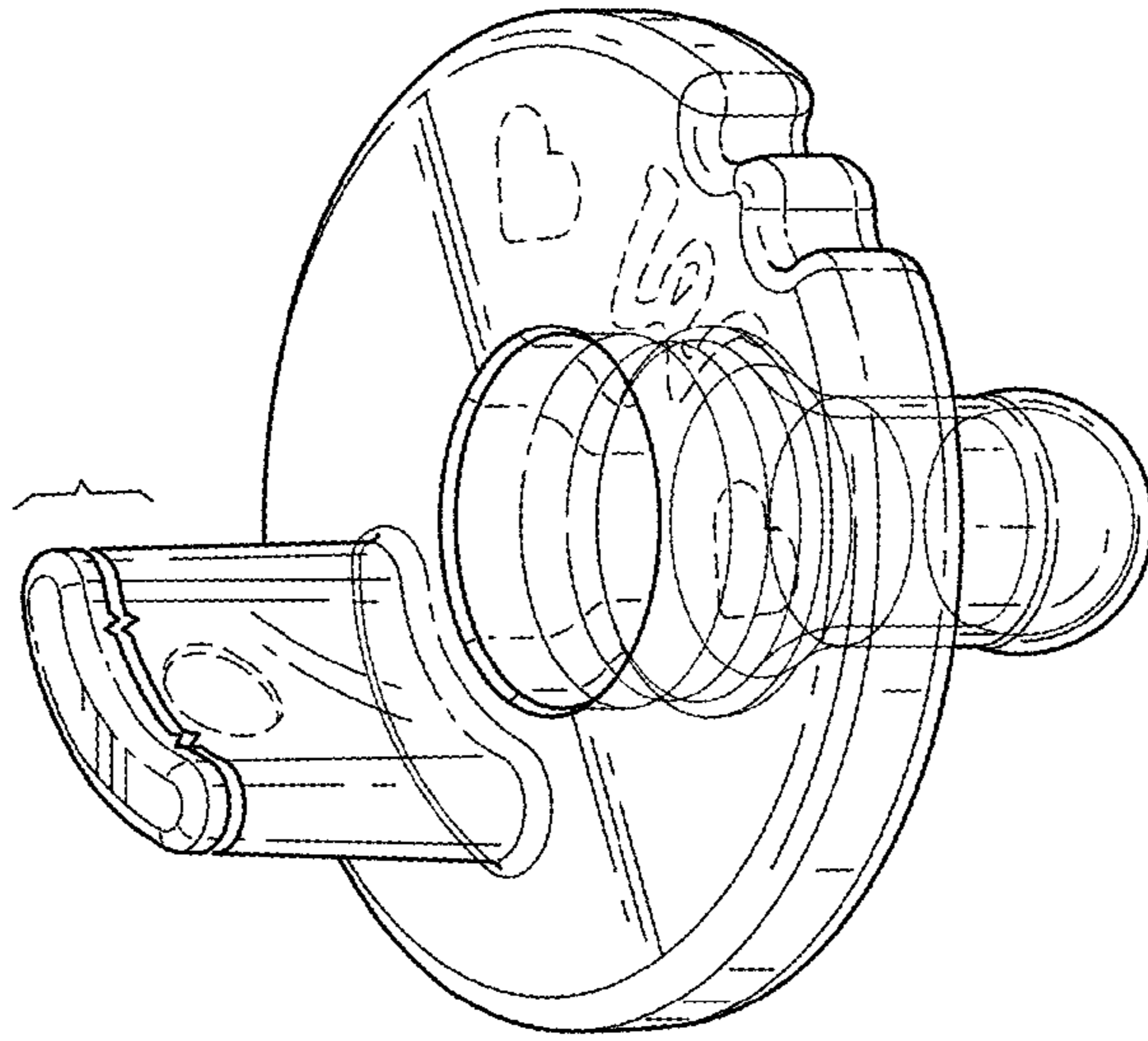


FIG. 1

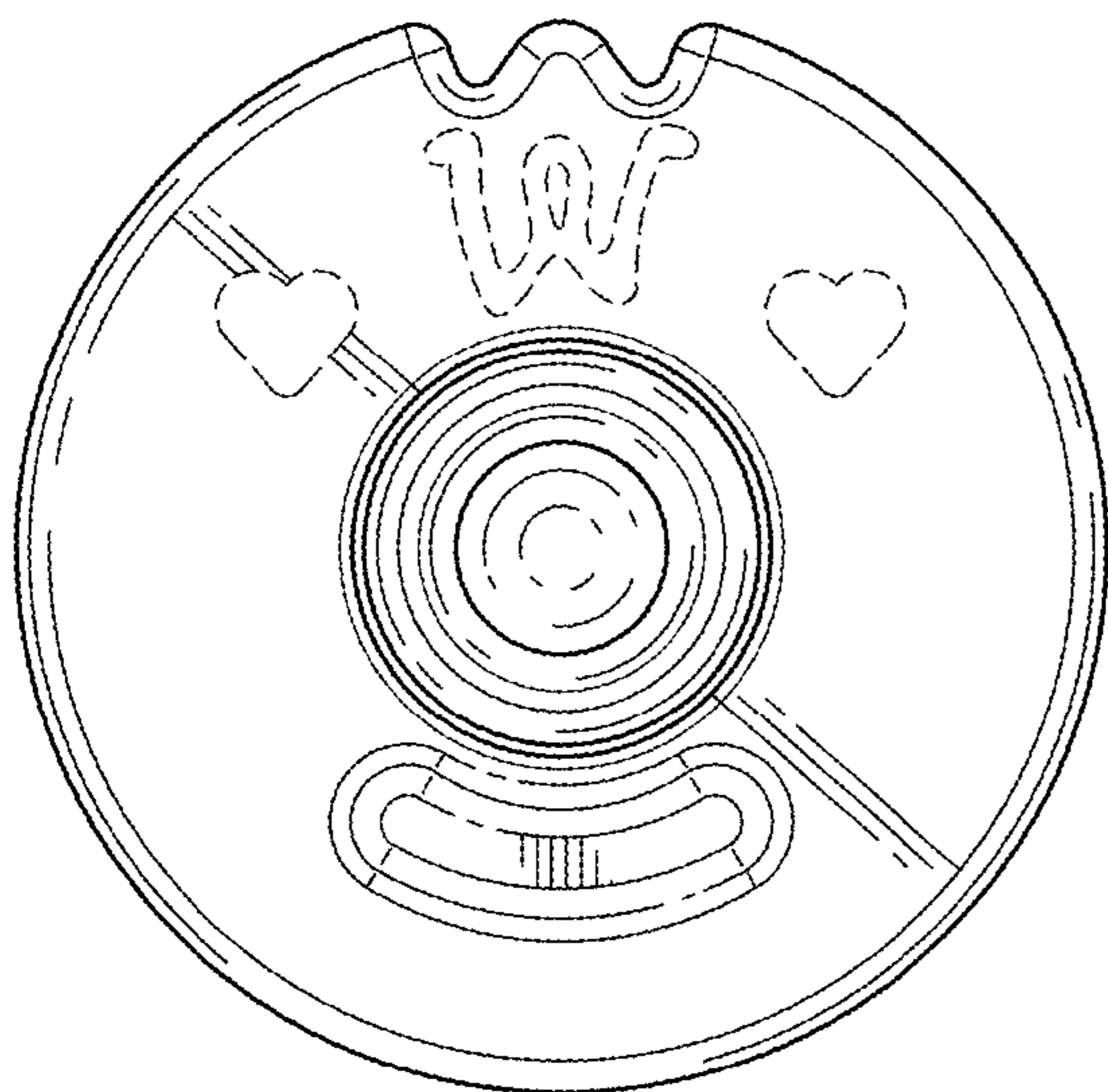


FIG. 2

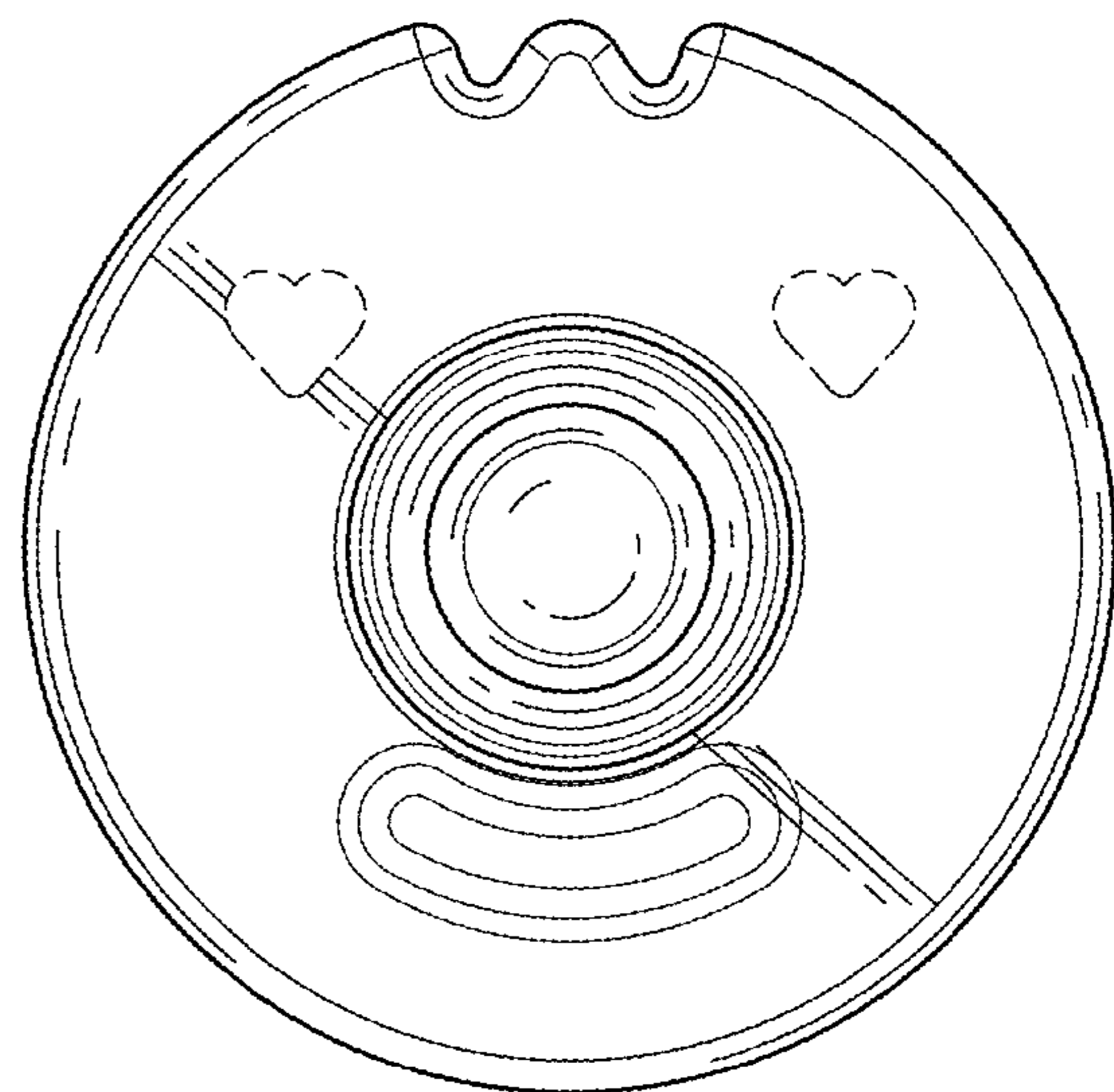


FIG. 3

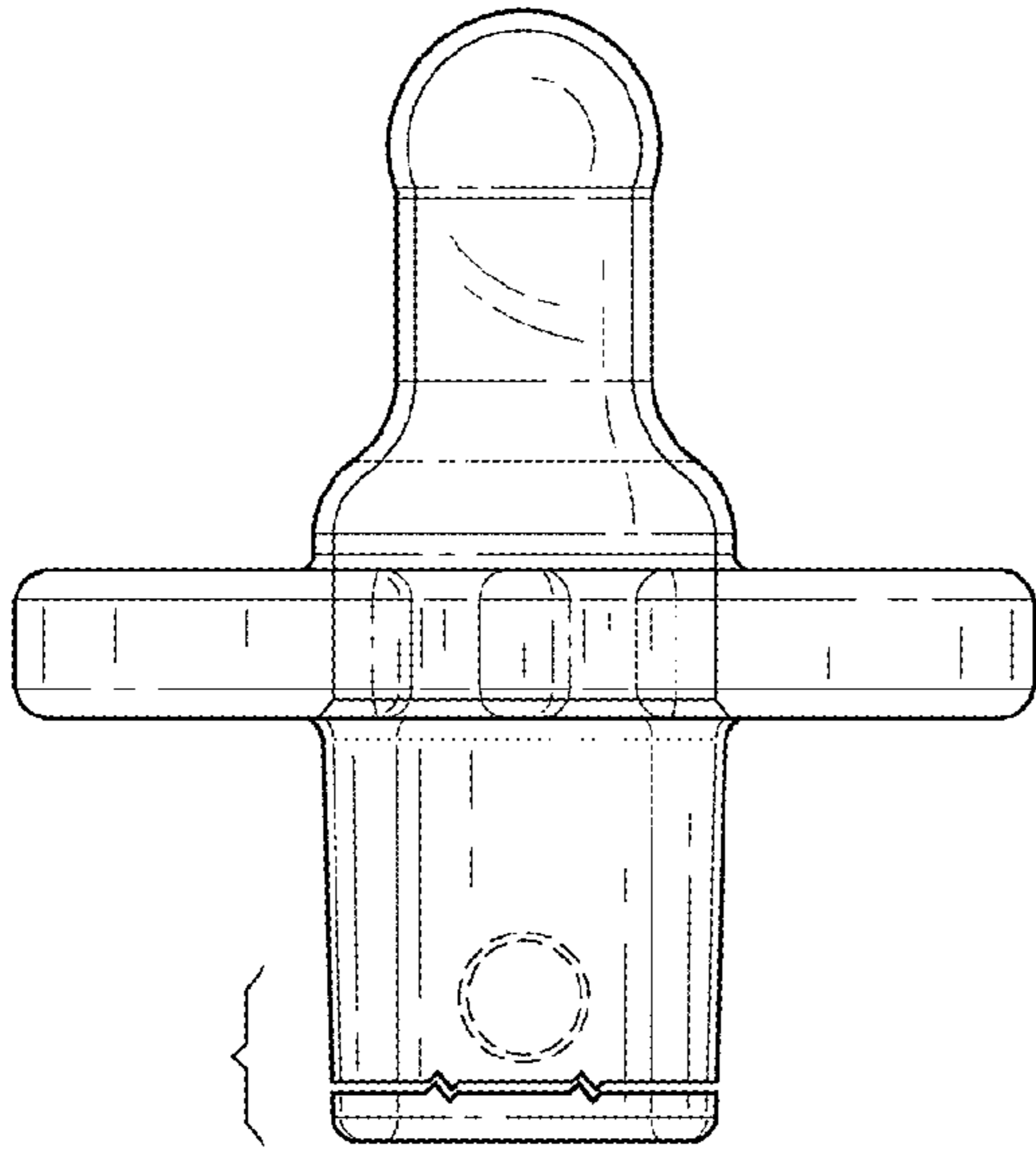


FIG. 4

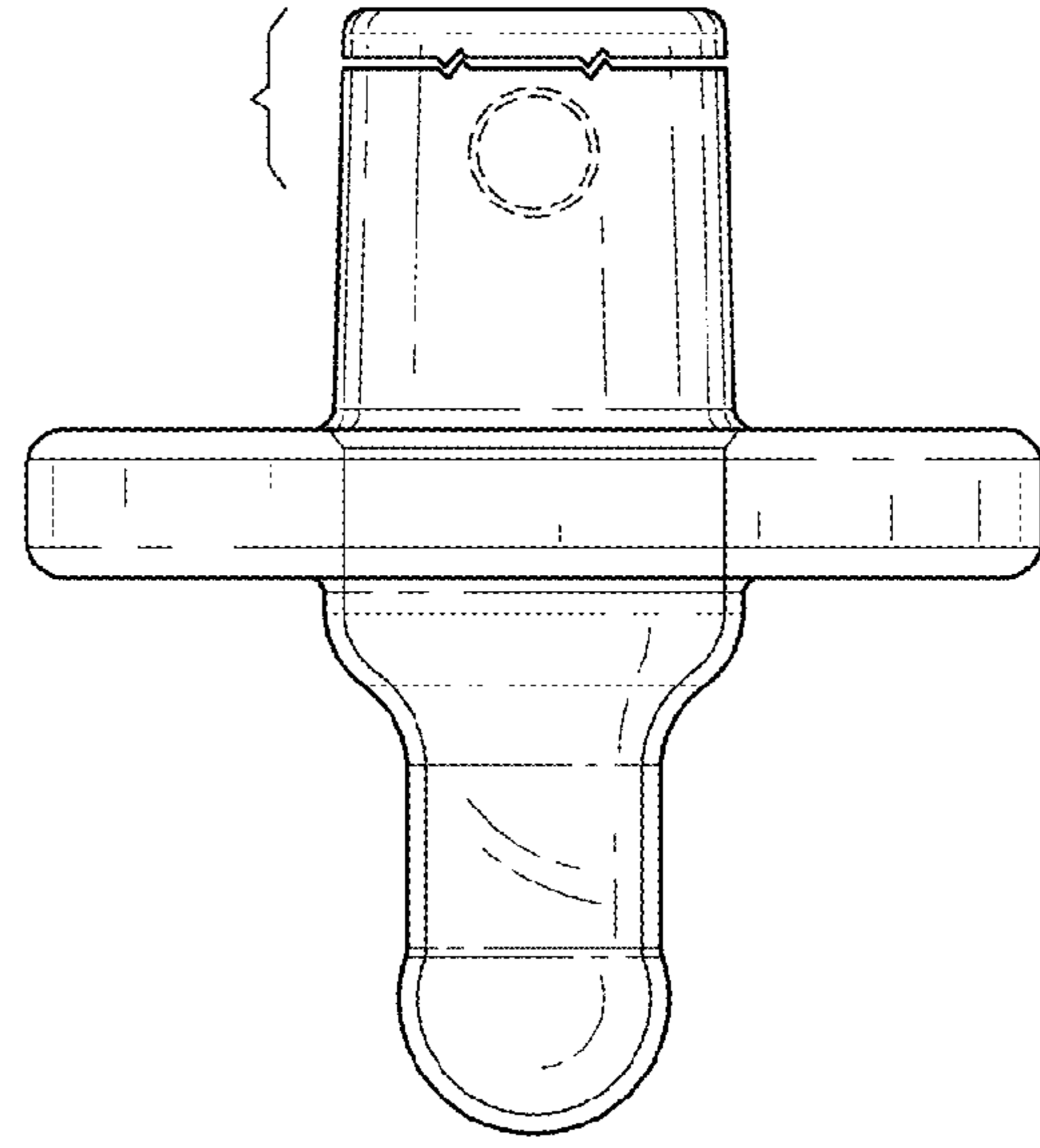


FIG. 5

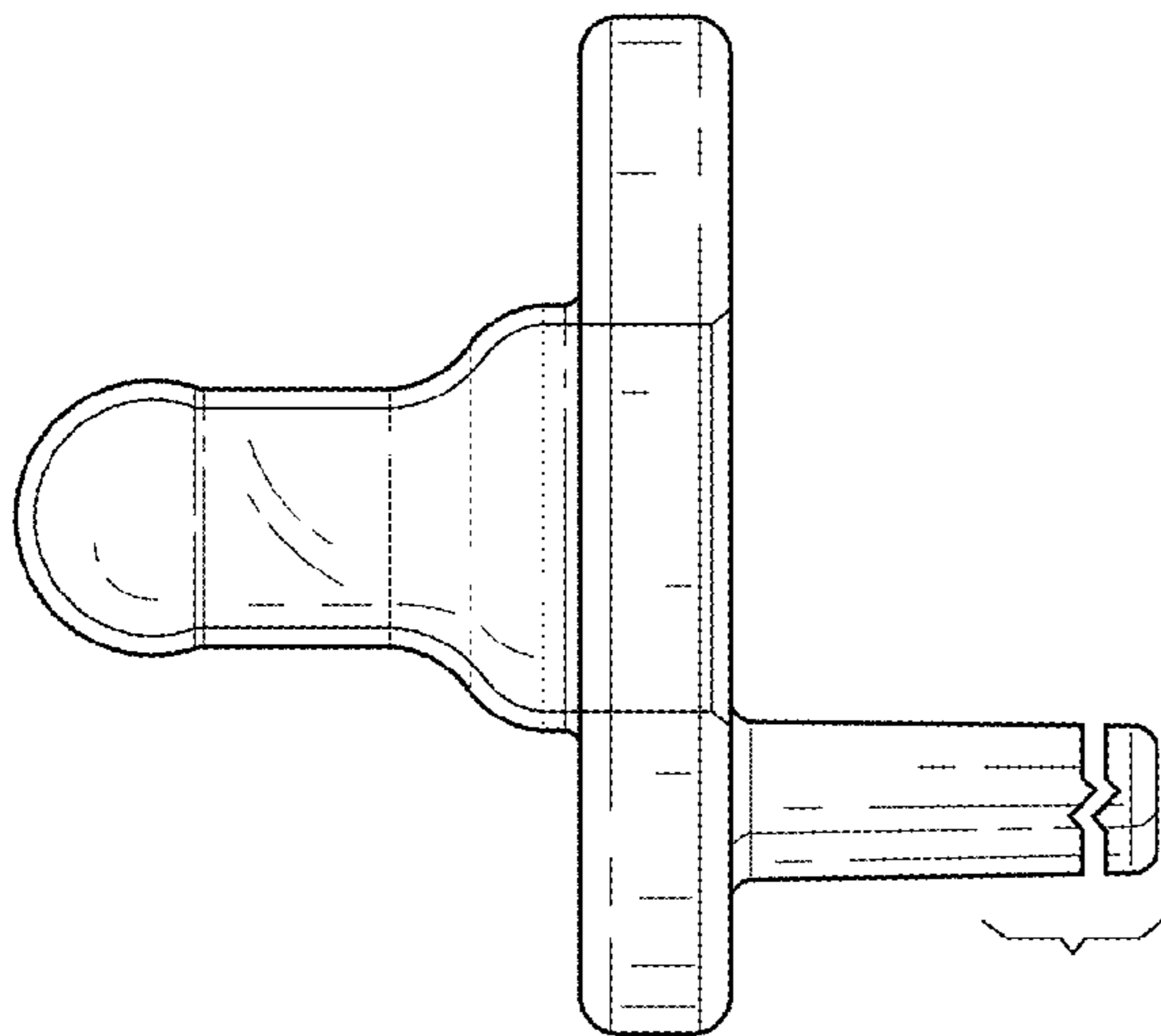


FIG. 6

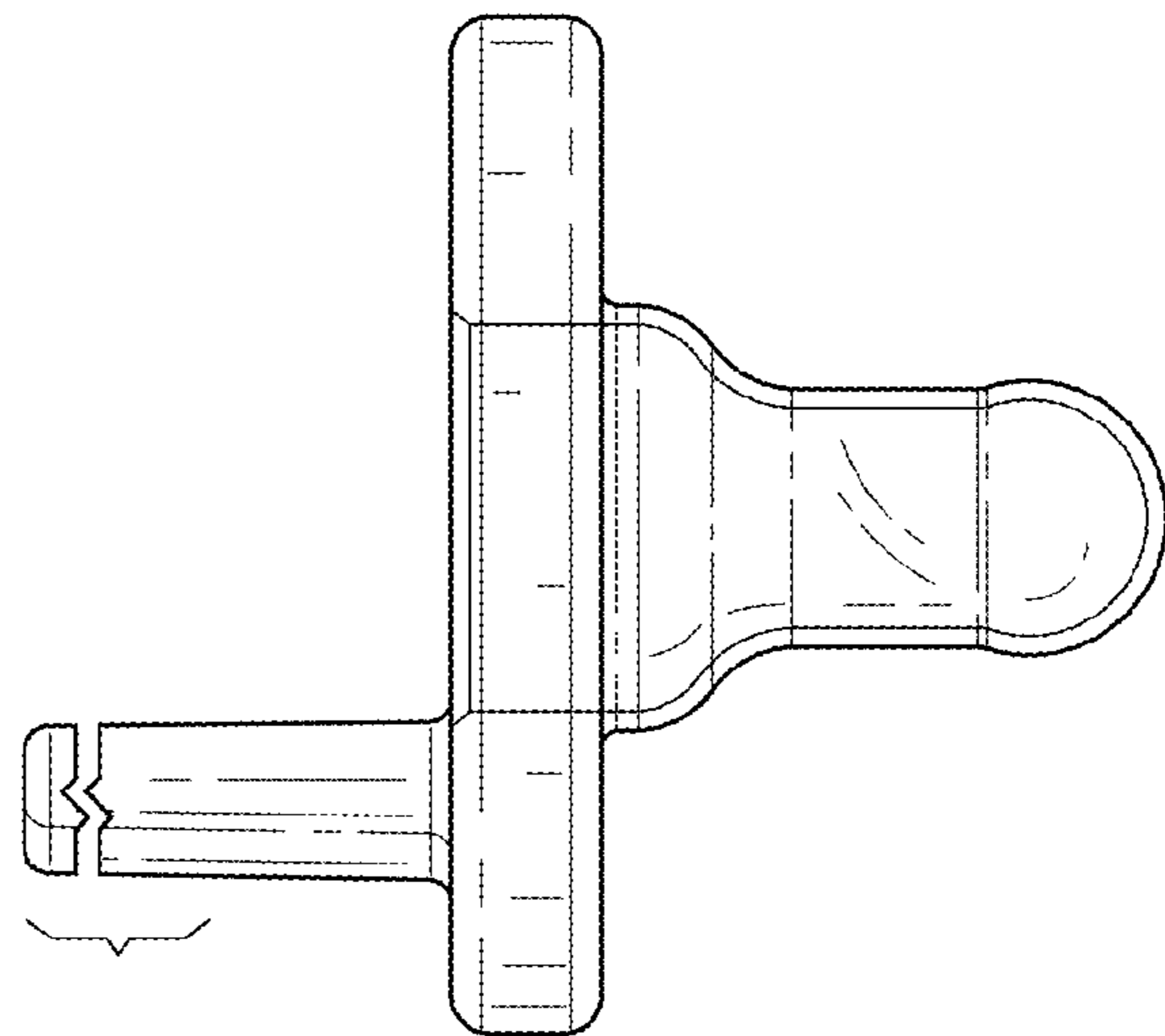


FIG. 7