



US00D975293S

(12) **United States Design Patent**
Schneider

(10) **Patent No.:** **US D975,293 S**
(45) **Date of Patent:** **** Jan. 10, 2023**

(54) **PACIFIER**

(71) Applicant: **Trebcu, LLC**, Orange, CT (US)

(72) Inventor: **Carla J. Schneider**, Orange, CT (US)

(73) Assignee: **TREBCO, LLC**, Orange, CT (US)

(**) Term: **15 Years**

(21) Appl. No.: **29/733,259**

(22) Filed: **Apr. 30, 2020**

(51) **LOC (14) Cl.** **24-04**

(52) **U.S. Cl.**
USPC **D24/194**

(58) **Field of Classification Search**

USPC D24/193, 194, 195, 199, 214; D29/118,
D29/122; D30/154, 160; D4/104, 107;
D2/614; D21/576, 584, 596, 604, 611,
D21/630, 643, 684, 725; D11/81
CPC A61J 17/001; A61J 17/111; A61J 17/02;
A61J 17/1115; A61J 17/1111; A61J
9/005; A63B 23/032; A46B 15/0097;
B60N 2/28; B60N 2/26

See application file for complete search history.

(56) **References Cited**

U.S. PATENT DOCUMENTS

D194,769 S	3/1963	Moffat
D303,839 S	10/1989	Fitzpatrick et al.
D318,530 S	7/1991	Marriott
D328,647 S	8/1992	Hwang
5,275,619 A	1/1994	Engebretson et al.
D355,965 S	2/1995	Harrison et al.

(Continued)

OTHER PUBLICATIONS

“WubbaNub Infant Pacifier—Giraffe”. Found online Dec. 30, 2021 at amazon.com. Reference dated Sep. 1, 2013. Retrieved from www.amazon.com/WubbaNub-25581-Infant-Pacifier-Giraffe/dp/B003CK3LDI/.*

(Continued)

Primary Examiner — Kendra Leslie Hamilton

(74) *Attorney, Agent, or Firm* — Cowan, Liebowitz & Latman, P.C.; Anastasia Zhadina

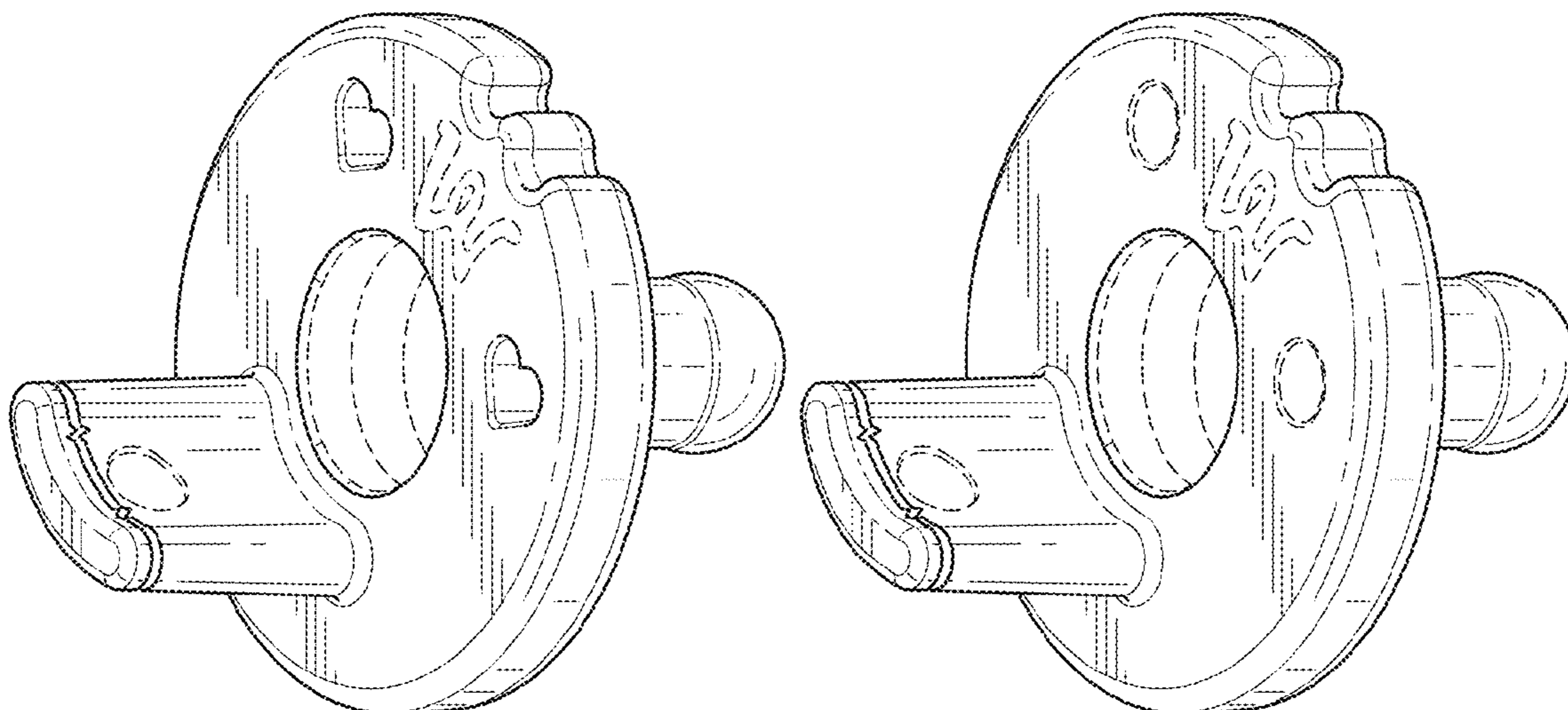
(57) **CLAIM**

The ornamental design for a pacifier, as shown and described.

DESCRIPTION

FIG. 1 is a rear perspective view of a first embodiment of the pacifier showing my design;
FIG. 2 is a rear view thereof;
FIG. 3 is a front view thereof;
FIG. 4 is a top view thereof;
FIG. 5 is a bottom view thereof;
FIG. 6 is a right side view thereof;
FIG. 7 is a left side view thereof;
FIG. 8 is a rear perspective view of a second embodiment of the pacifier showing my design;
FIG. 9 is a rear view thereof;
FIG. 10 is a front view thereof;
FIG. 11 is a top view thereof;
FIG. 12 is a bottom view thereof;
FIG. 13 is a right side view thereof;
FIG. 14 is a left side view thereof;
FIG. 15 is a rear perspective view of a third embodiment of the pacifier showing my design;
FIG. 16 is another rear perspective view thereof with the pacifier detached from an attachment device;
FIG. 17 is a rear view thereof;
FIG. 18 is a top view thereof; and,
FIG. 19 is a right side view thereof.
Portions of the design shown in broken lines form no part of the claimed design.
FIGS. 15-19 show an embodiment of the pacifier used with an attachment device. The attachment device shown in FIGS. 15-19 may also be used with any other embodiment shown in FIGS. 1-14.

1 Claim, 6 Drawing Sheets



(56)

References Cited

OTHER PUBLICATIONS

U.S. PATENT DOCUMENTS

D457,966 S 5/2002 Espemar
 D610,691 S * 2/2010 Benedetto D24/194
 7,731,733 B2 6/2010 Tesini et al.
 D655,015 S * 2/2012 Castro Barreras D24/194
 D691,277 S 10/2013 McCarty
 D740,430 S * 10/2015 Oates, II D24/194
 D748,811 S 2/2016 Lee
 9,320,975 B2 4/2016 McClintock et al.
 9,439,836 B1 * 9/2016 Thomas A61J 17/001
 9,463,143 B2 10/2016 Oates, II et al.
 9,585,815 B2 3/2017 Tesini et al.
 D826,413 S 8/2018 Eaton et al.
 D836,207 S 12/2018 Kim
 D841,822 S 2/2019 Hagenauer
 10,285,912 B2 5/2019 Molina et al.
 D857,905 S 8/2019 Sandberg
 D914,894 S * 3/2021 Koyama D24/194
 D923,802 S * 6/2021 Jones D24/195
 D928,973 S * 8/2021 Warden D24/194
 RE48,840 E * 12/2021 Kim A61J 17/001
 D940,340 S * 1/2022 Sturm D24/188
 2005/0216060 A1 9/2005 McCarty
 2008/0215092 A1 * 9/2008 Smith A61J 17/001
 606/236
 2009/0235927 A1 9/2009 Krueger et al.
 2012/0209326 A1 8/2012 Lutes et al.
 2013/0072977 A1 3/2013 Van Engen et al.
 2016/0074286 A1 * 3/2016 Carter A61J 17/02
 606/235
 2017/0326037 A1 * 11/2017 Molina A61J 17/001
 2018/0104159 A1 4/2018 Bredemeier et al.
 2021/0169745 A1 * 6/2021 Hakim A61J 17/10

“Kean: Pacifier Adapter”. Found online Mar. 12, 2020 at facebook.com. Reference dated Mar. 2, 2016. Retrieved from www.facebook.com/www.siliconeteething.net/posts/1238719252809728?.*
 “Nookums: Orthodontic Pacifier for Paci-Plushies”. Found online Dec. 30, 2021 at amazon.com. Reference dated Nov. 21, 2017. Retrieved from www.amazon.com/Nookums-Paci-Plushies-Replacement-Pacifier-Pack/dp/B0753LT2V7?.*
 “CuddlesMe: Plush Sheep Toy with Detachable Pacifier”. Found online Sep. 11, 2018 at amazon.com. Reference dated Dec. 18, 2014. Retrieved from www.amazon.com/CuddlesMe-Detachable-Pacifier-Listed-Medical/dp/B00QFRMFP0?.*
 “Avent Soothie Shapes Pacifier”, https://www.usa.philips.com/c-p/SCF194_05/avent-soothie-shapes-pacifier, pp. 1-7, Printed May 12, 2020.
 “Avent Soothie Pacifier”, https://www.usa.philips.com/c-p/SCF193_00/avent-soothie-pacifier, pp. 1-6, Printed May 12, 2020.
 “Chicco PhysioForma Soft Silicone Pacifier”, <https://www.chiccousa.com/shop-our-products/feeding-and-soothing/pacifiers/physioforma-soft-silicone-pacifier-clear-0-6m-%282pc%29/00001808000070.html>, pp. 1-5, Printed May 12, 2020.
 “Chicco Physio Soft Silicone Pacifier Rosa”, <https://www.carethy.net/childhood/chicco/p-103543>, pp. 1-4, Printed May 12, 2020.
 “Chicco Latex Soother Physio Soft”, https://www.carethy.net/childhood/chicco/p-322149?r=8058664059454&gclid=EA1alQobChMlp4GWx6Si5QIVkljCh3WAgIWEAkYBCABEglcAPD_BwE, pp. 1-5, Printed May 12, 2020.
 “Hevea Car Orthodontic Pacifier 3+ Months”, <https://www.eggssoldiers.com/shop/feeding-teething/teething/pacifiers/hevea-car-orthodontic-pacifier-3-months/>, pp. 1-2, Printed May 12, 2020.
 “Organic Dummy”, <https://www.gruenspecht.de/products/organic-dummy/?lang=en&cn-reloaded=1>, pp. 1-8, Printed May 12, 2020.

* cited by examiner

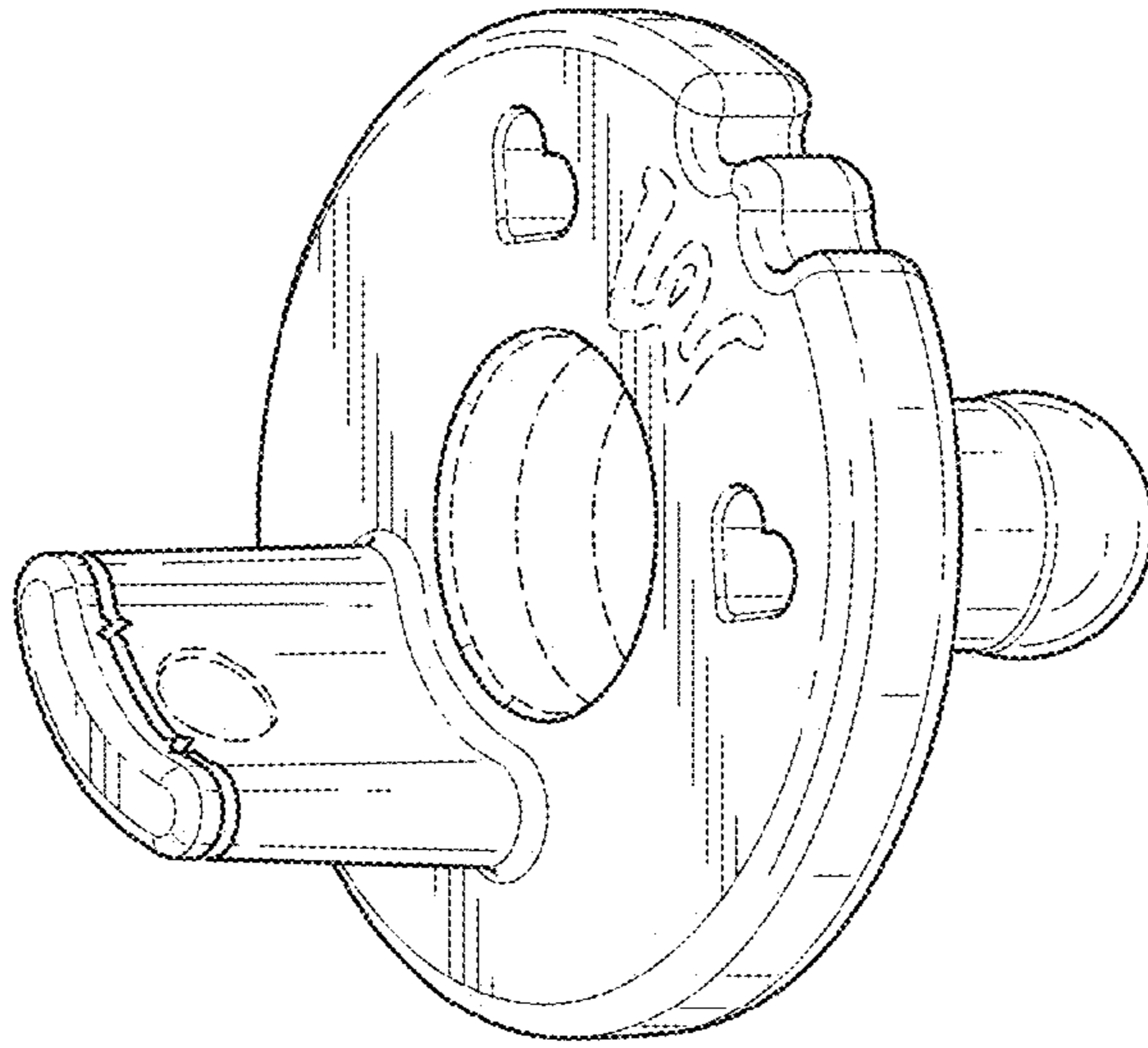


FIG. 1

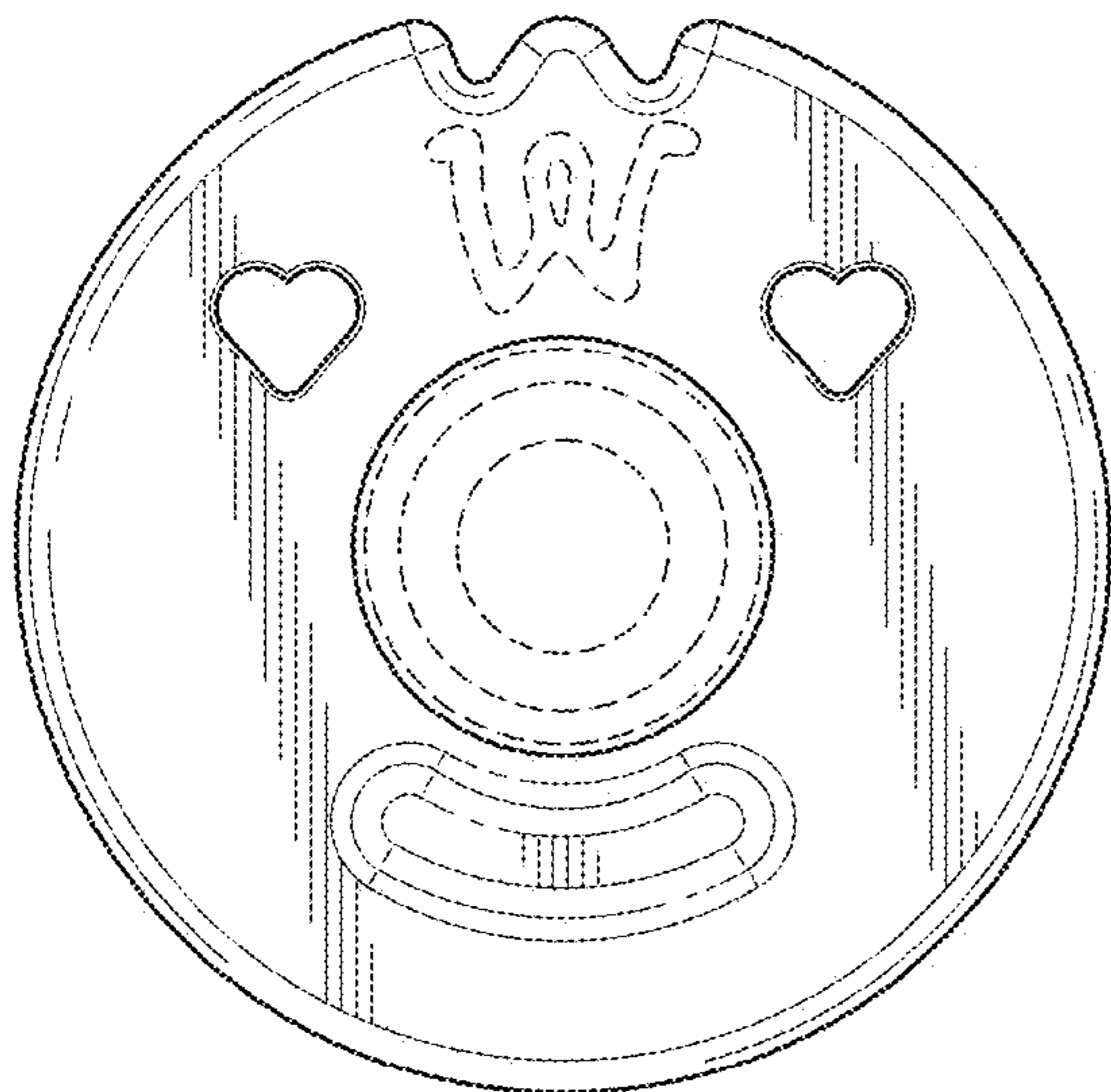


FIG. 2

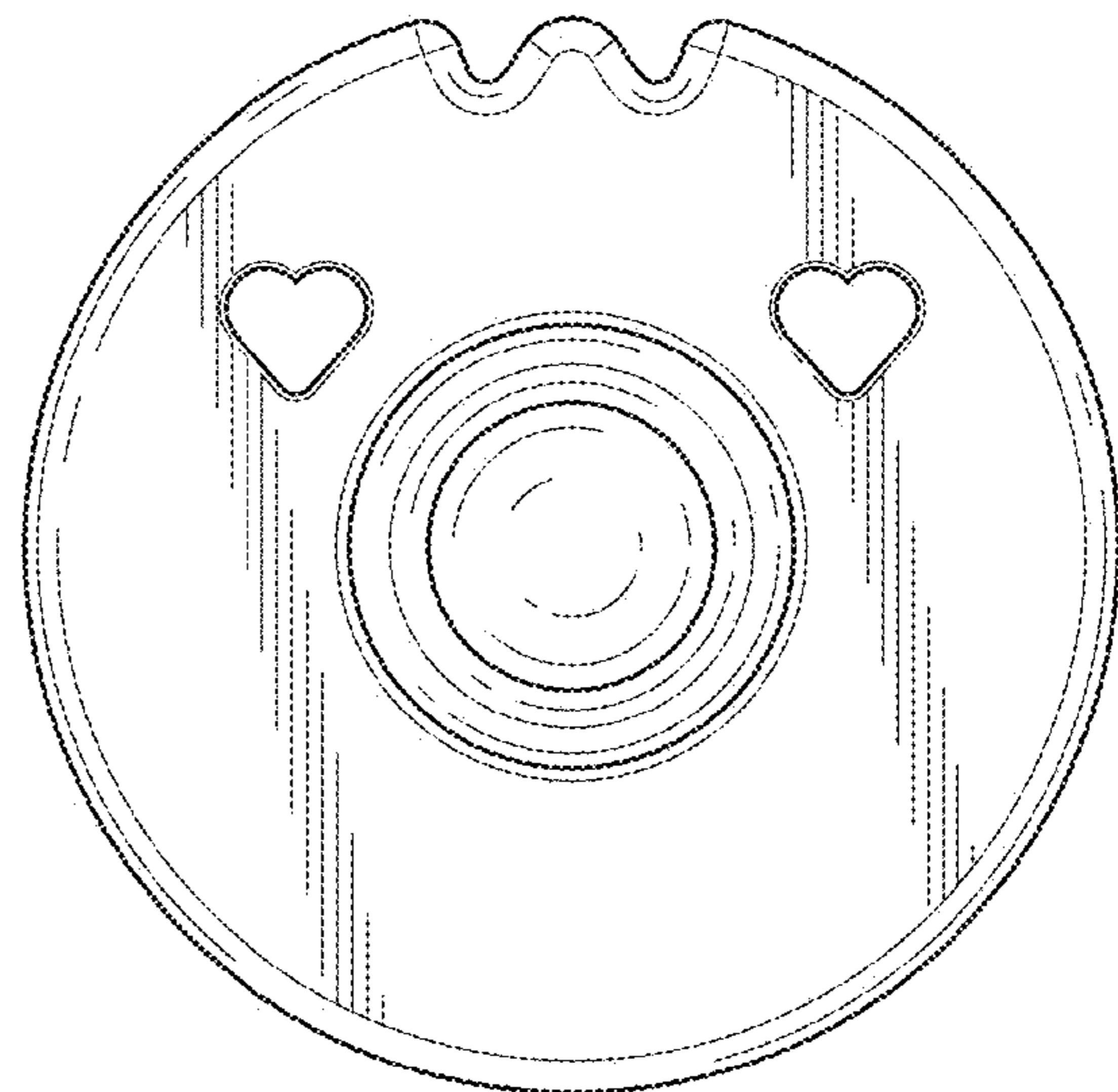


FIG. 3

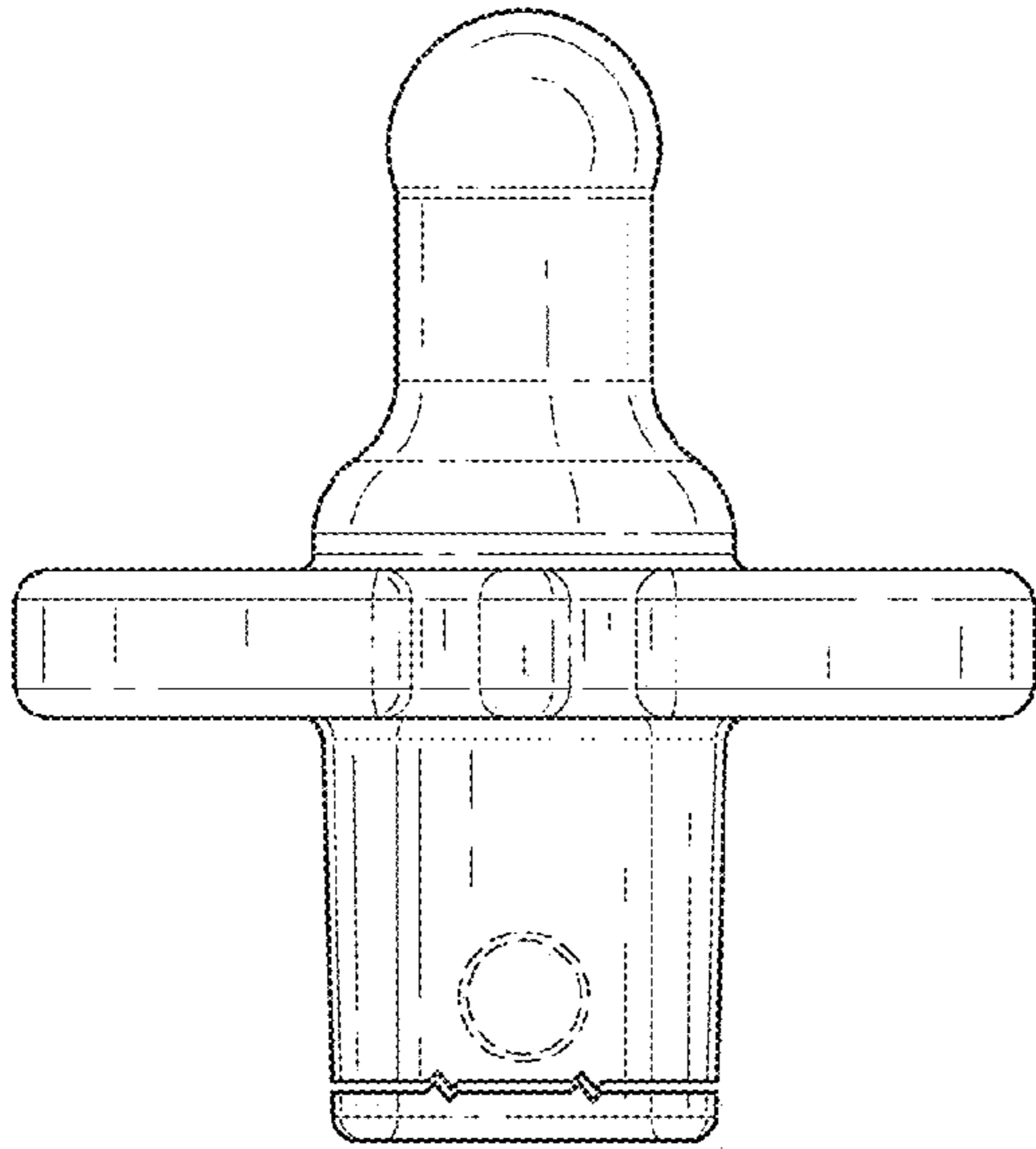


FIG. 4

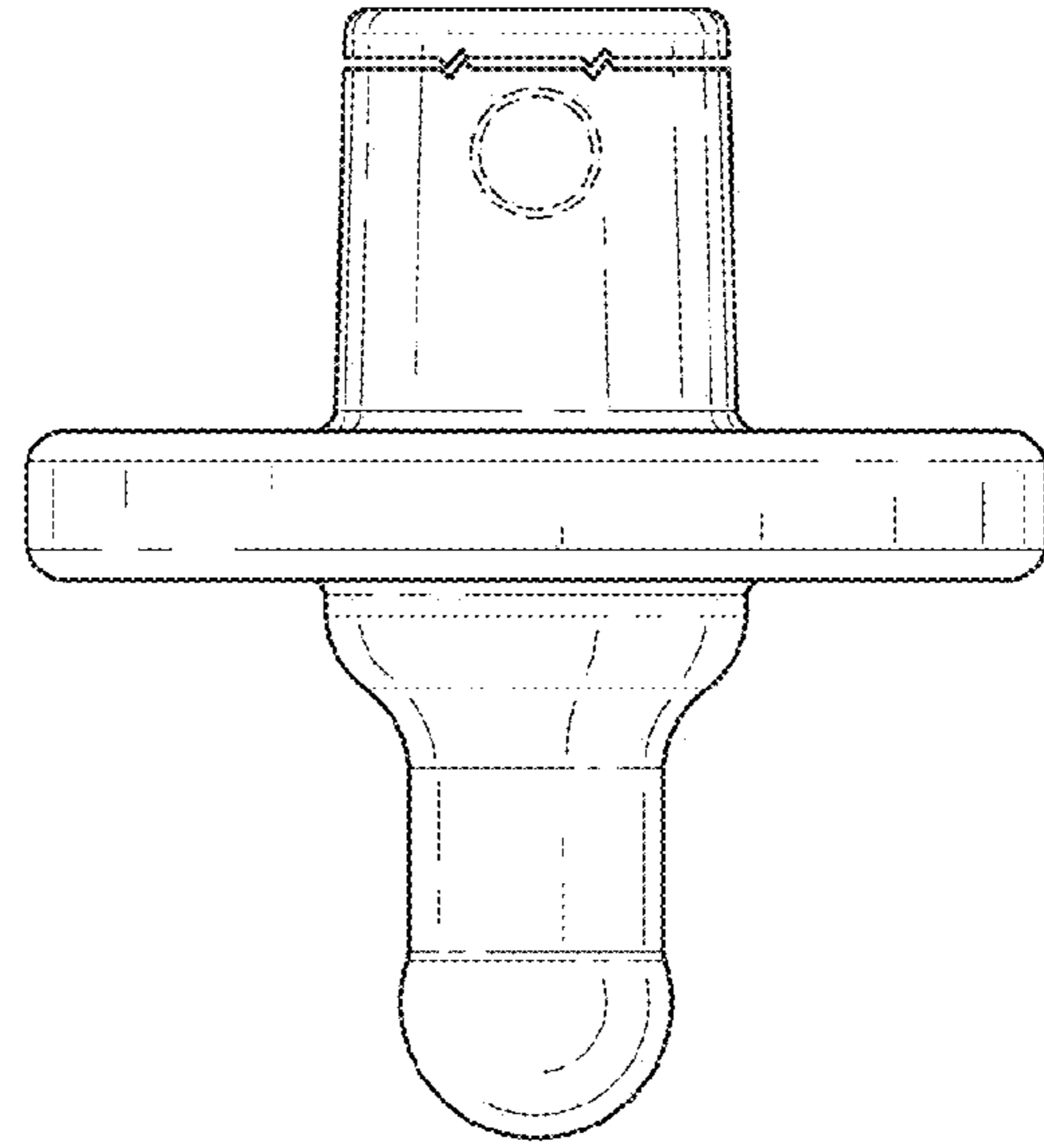


FIG. 5

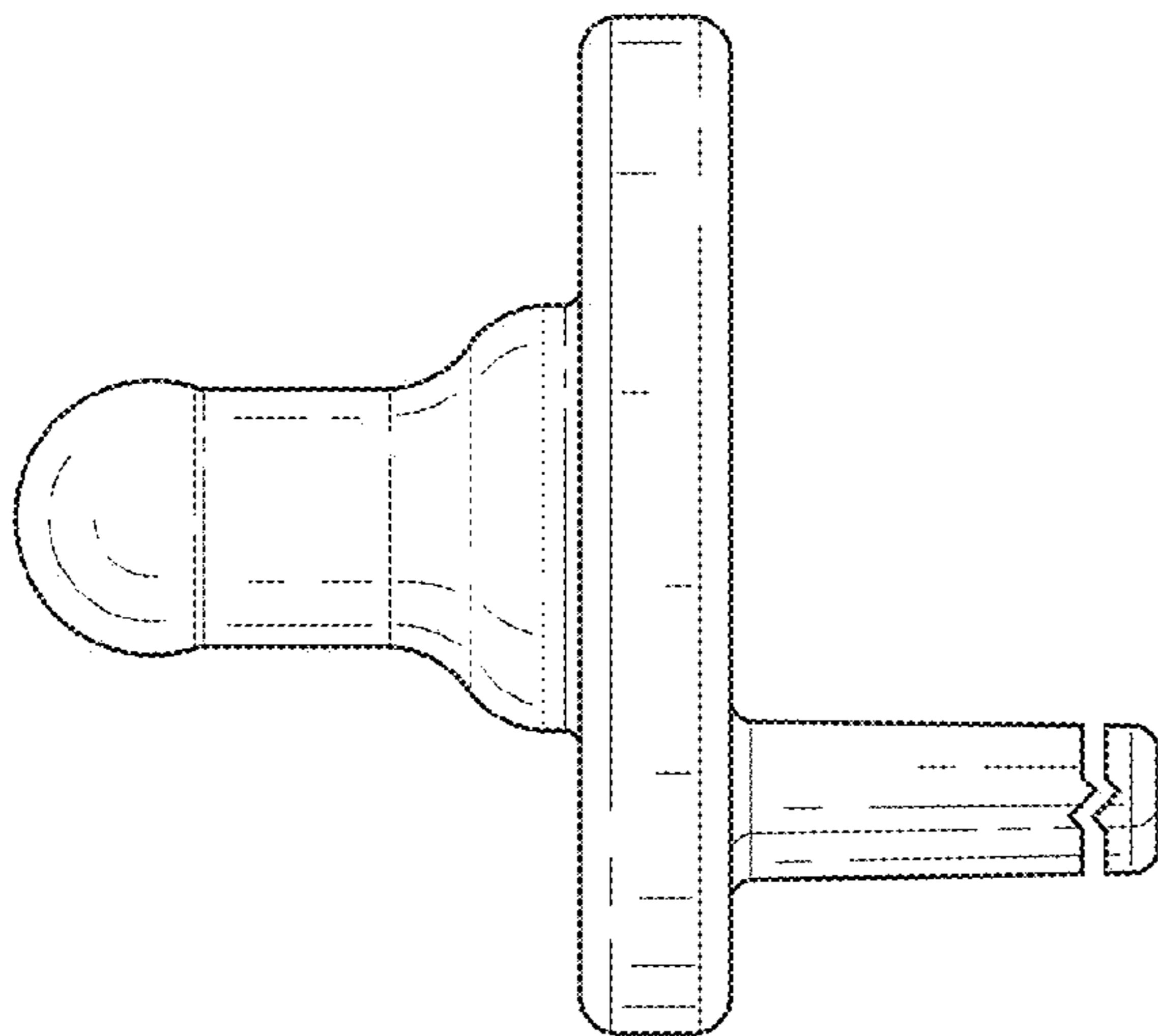


FIG. 6

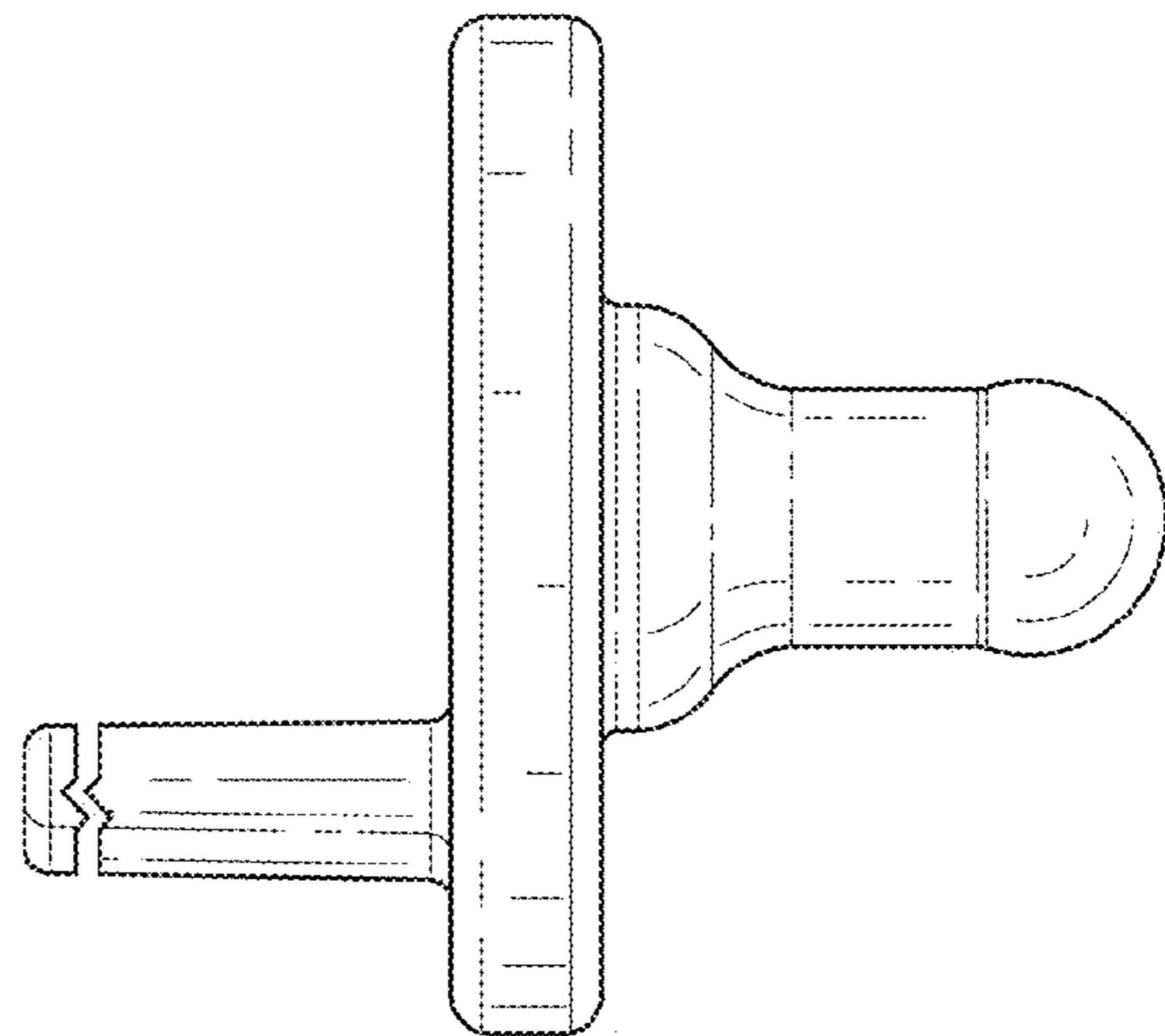


FIG. 7

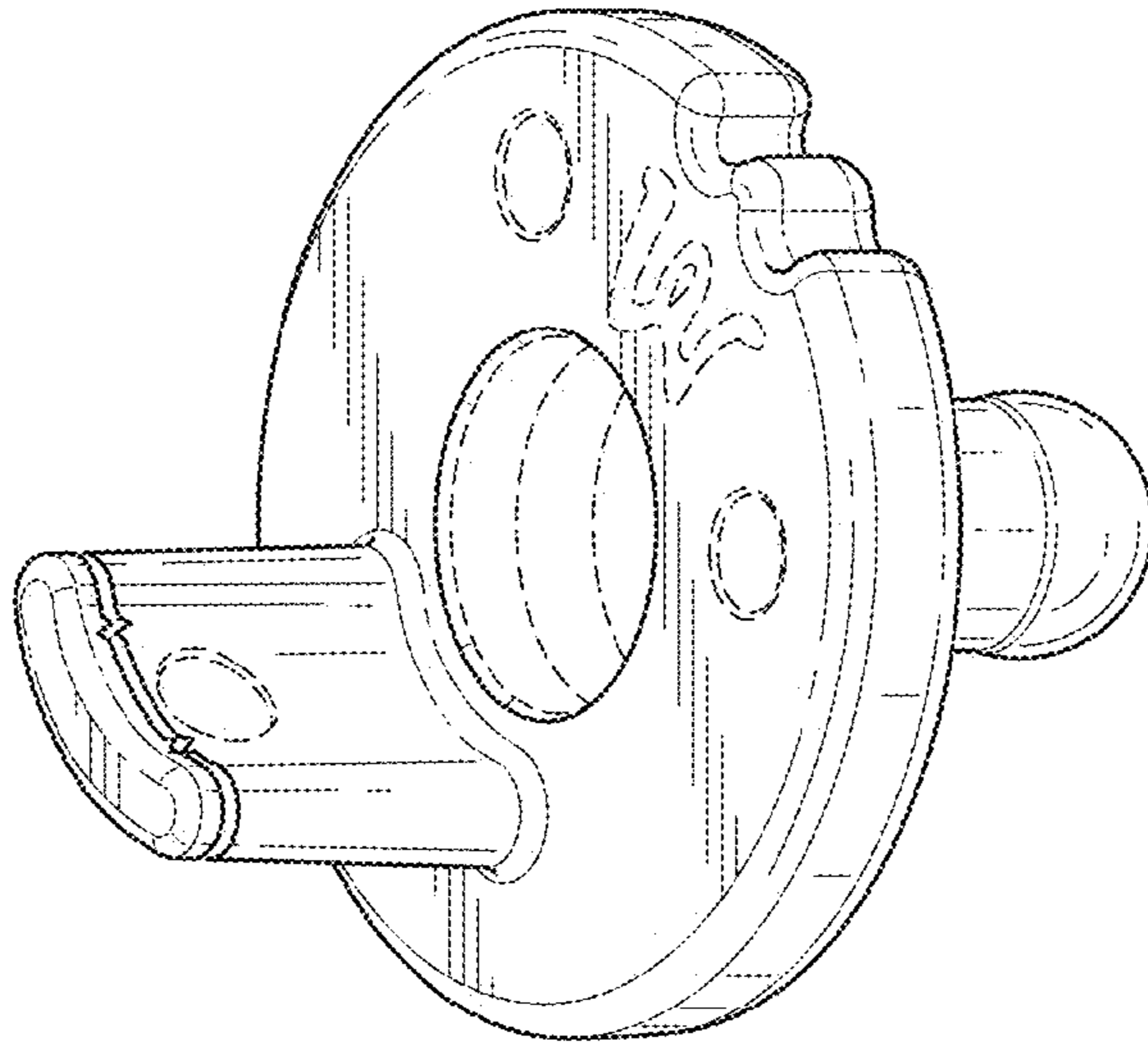


FIG. 8

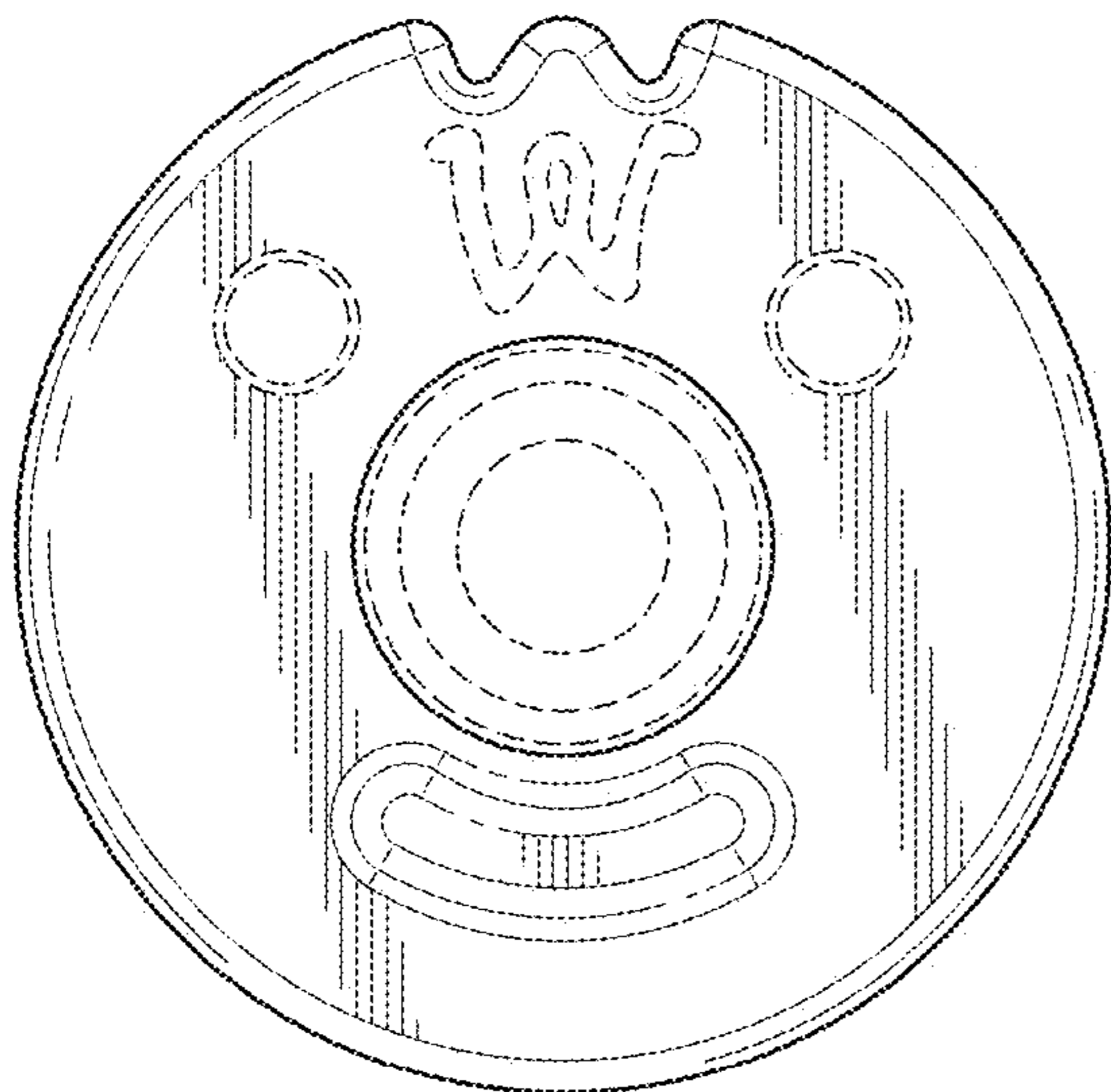


FIG. 9

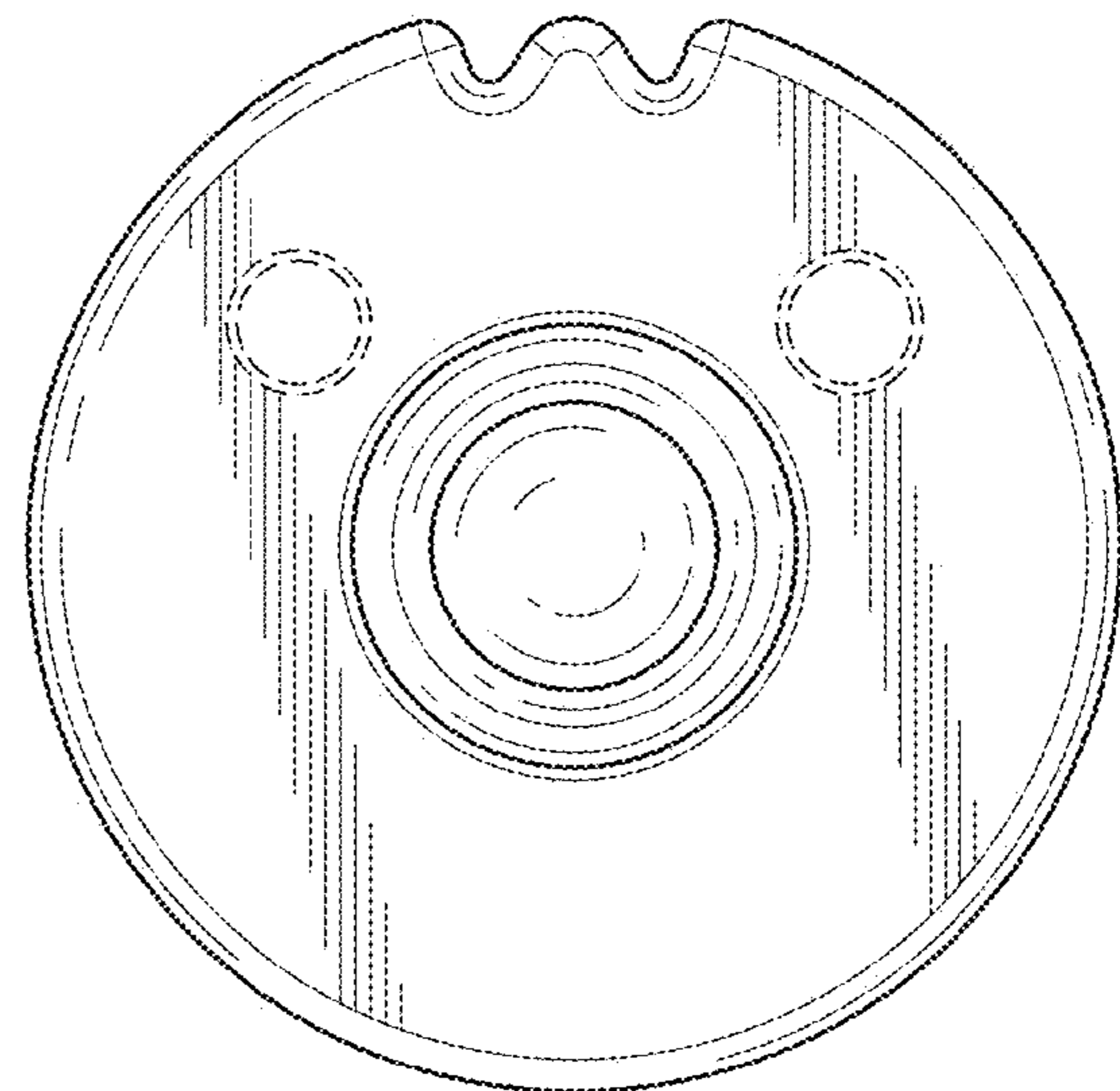


FIG. 10

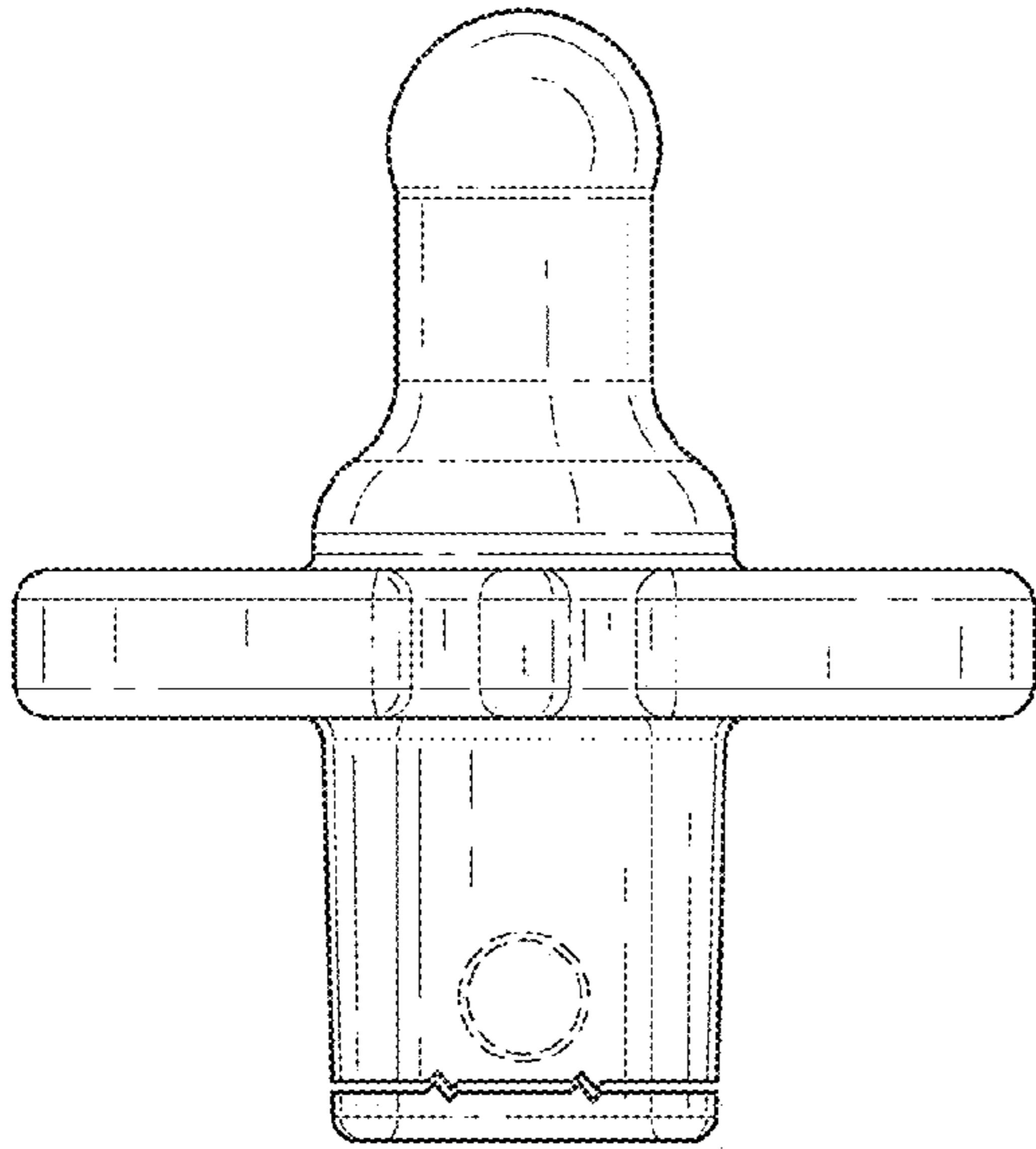


FIG. 11

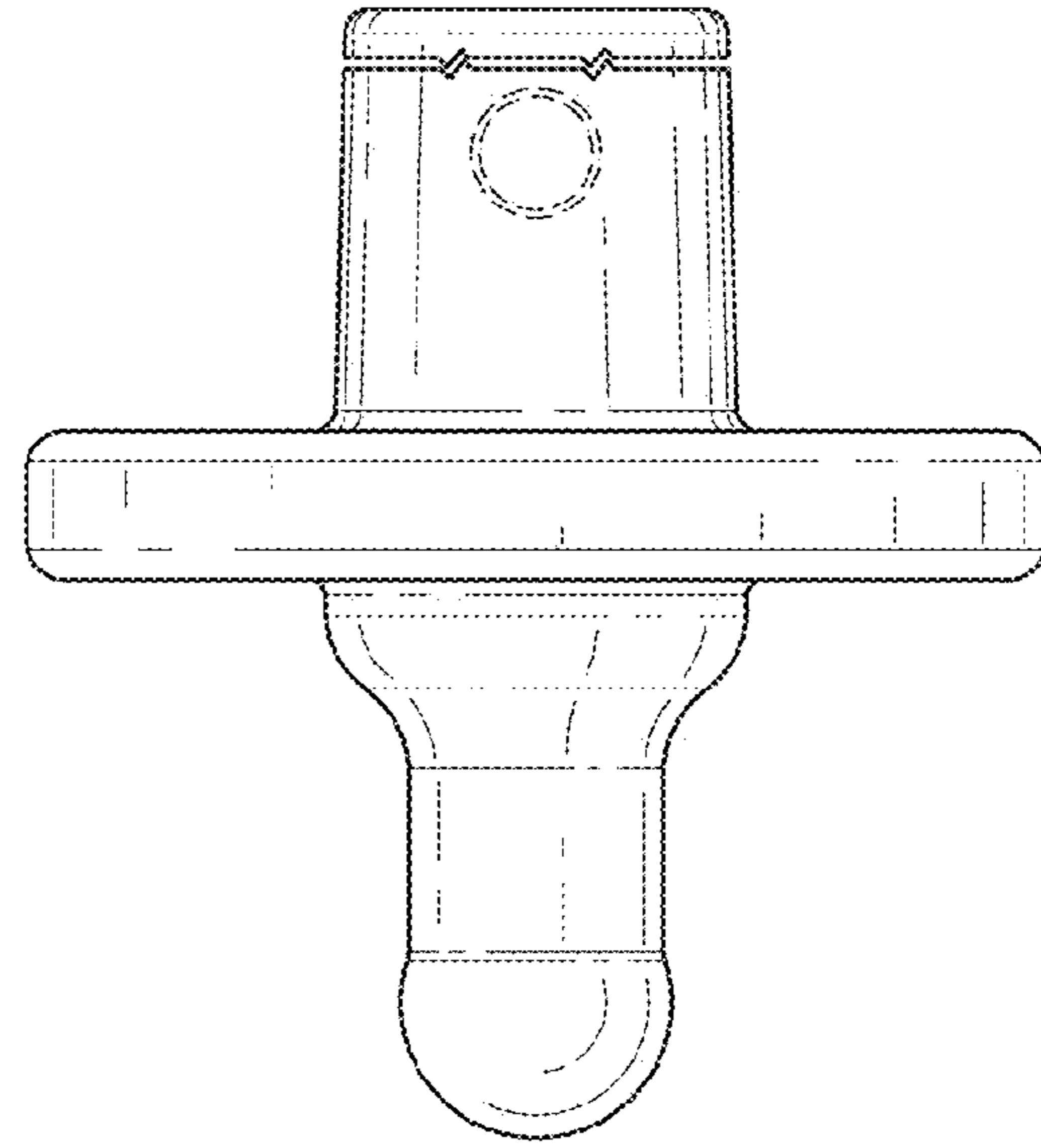


FIG. 12

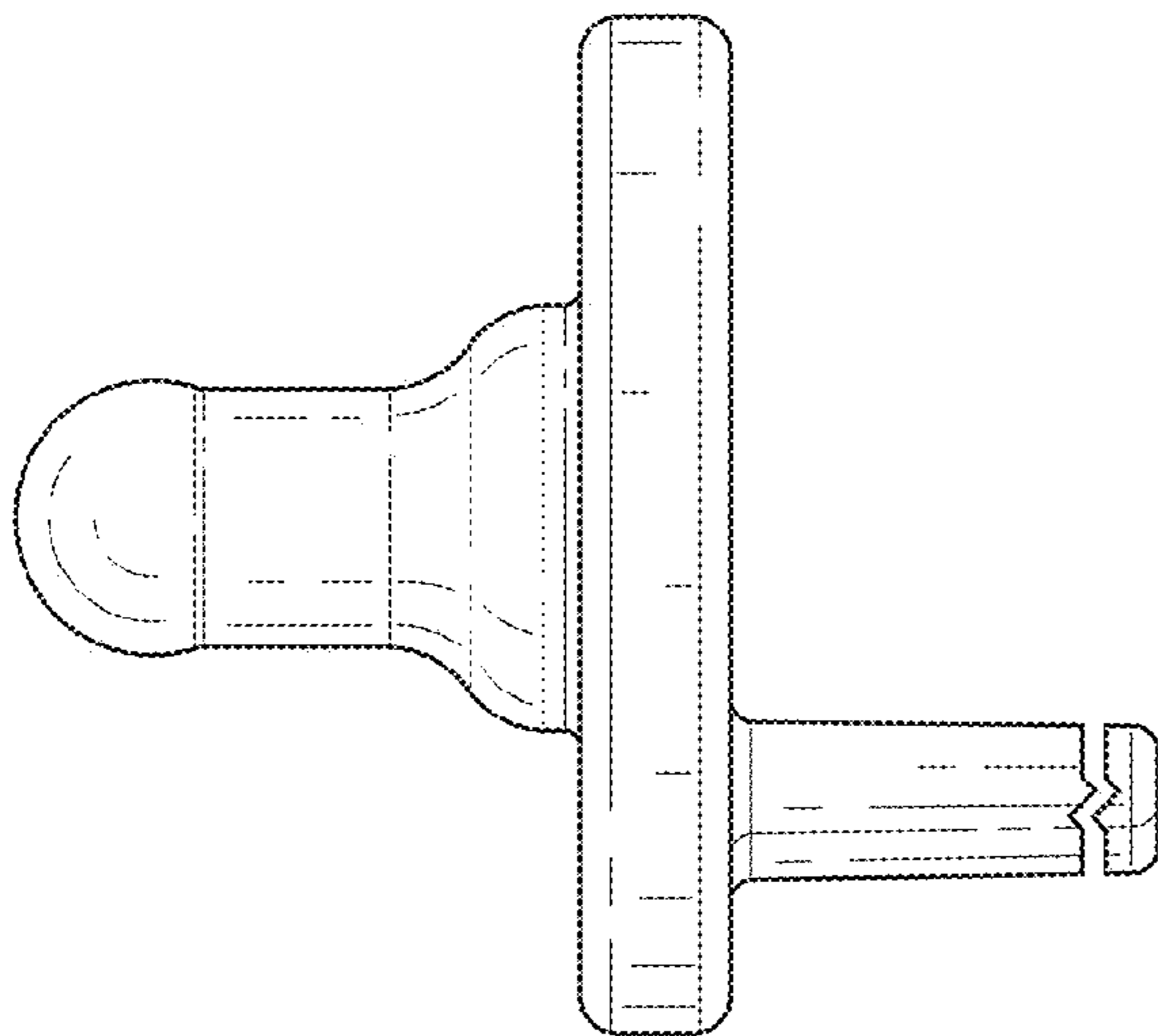


FIG. 13

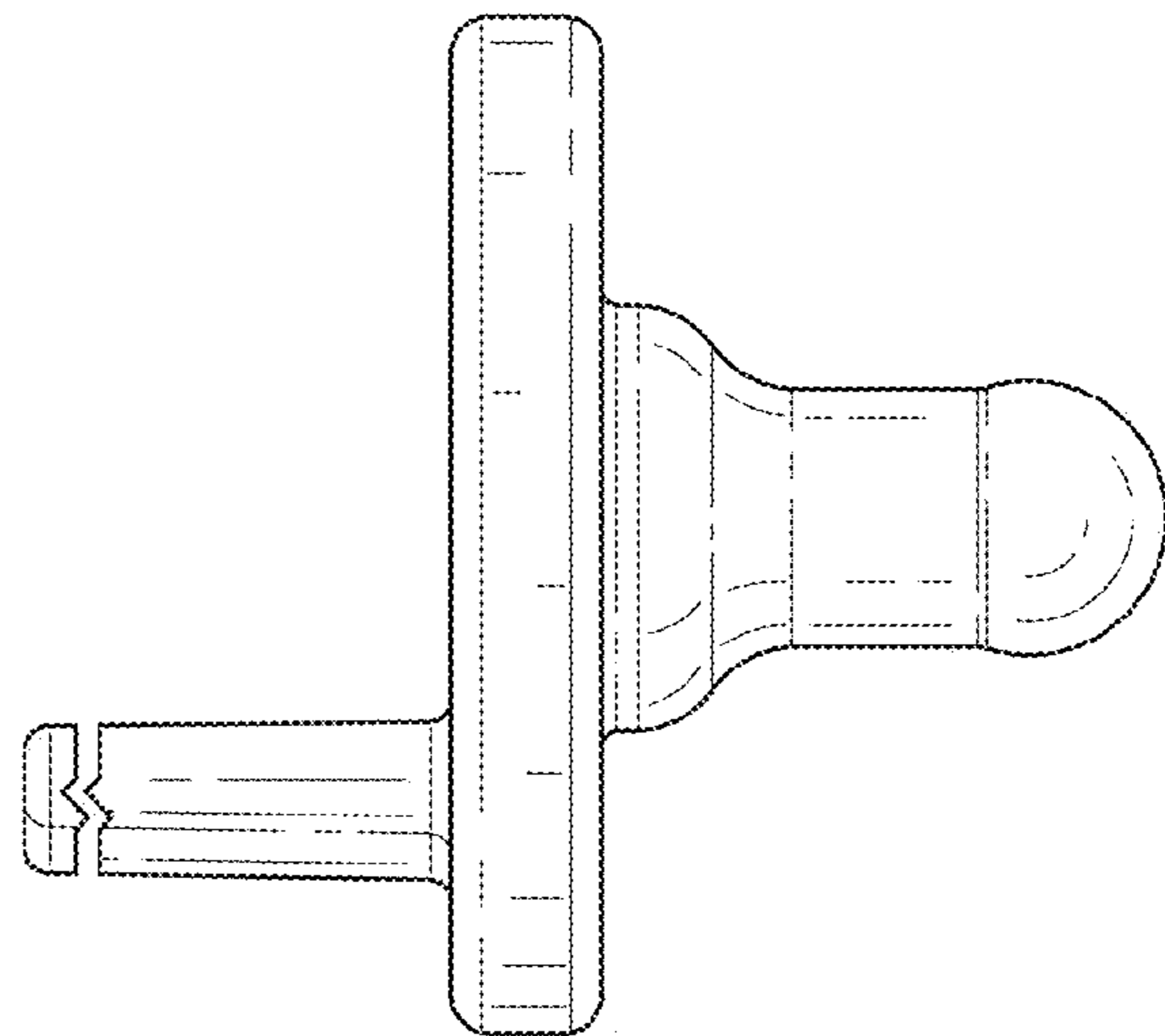


FIG. 14

FIG. 15

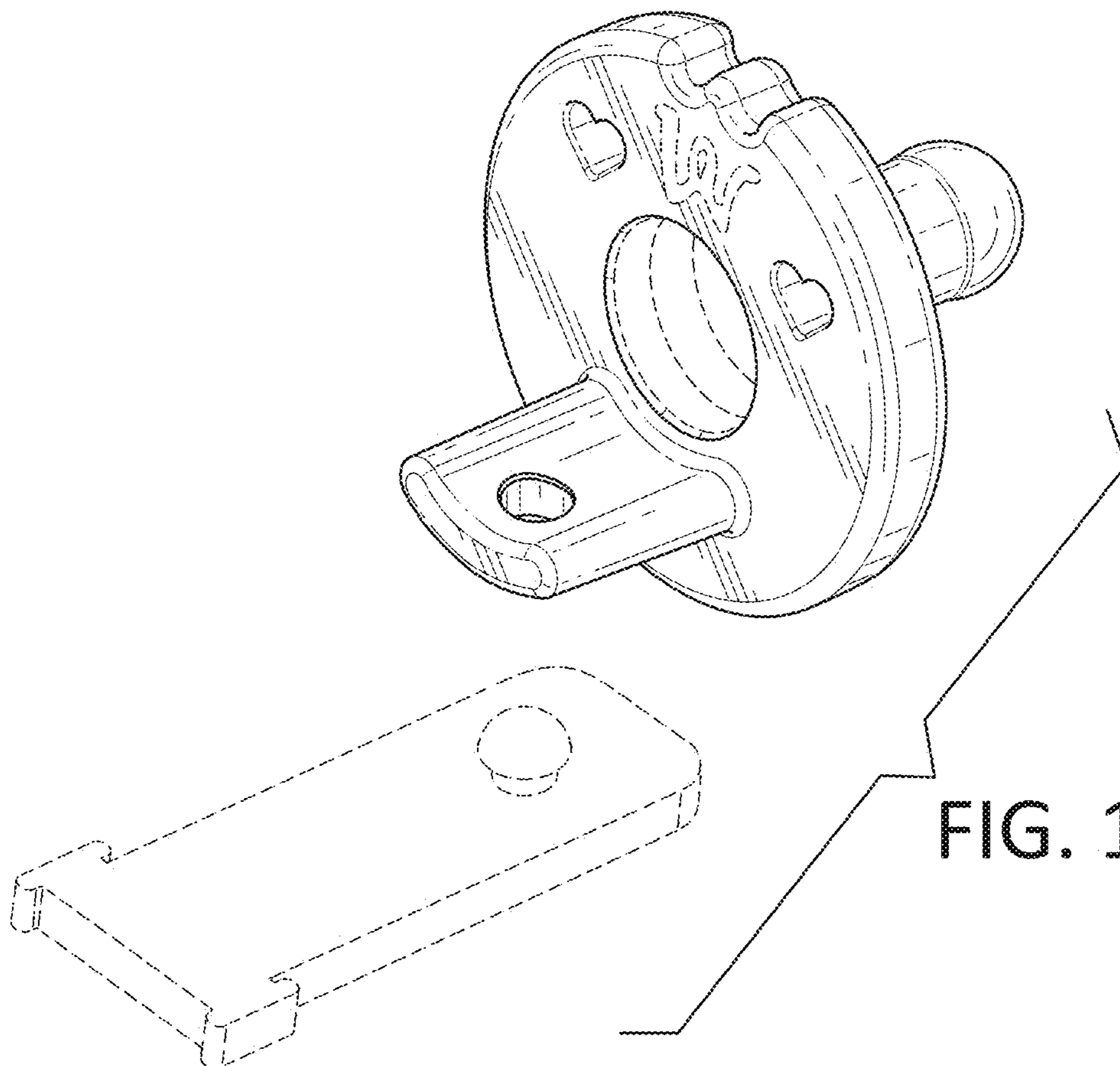
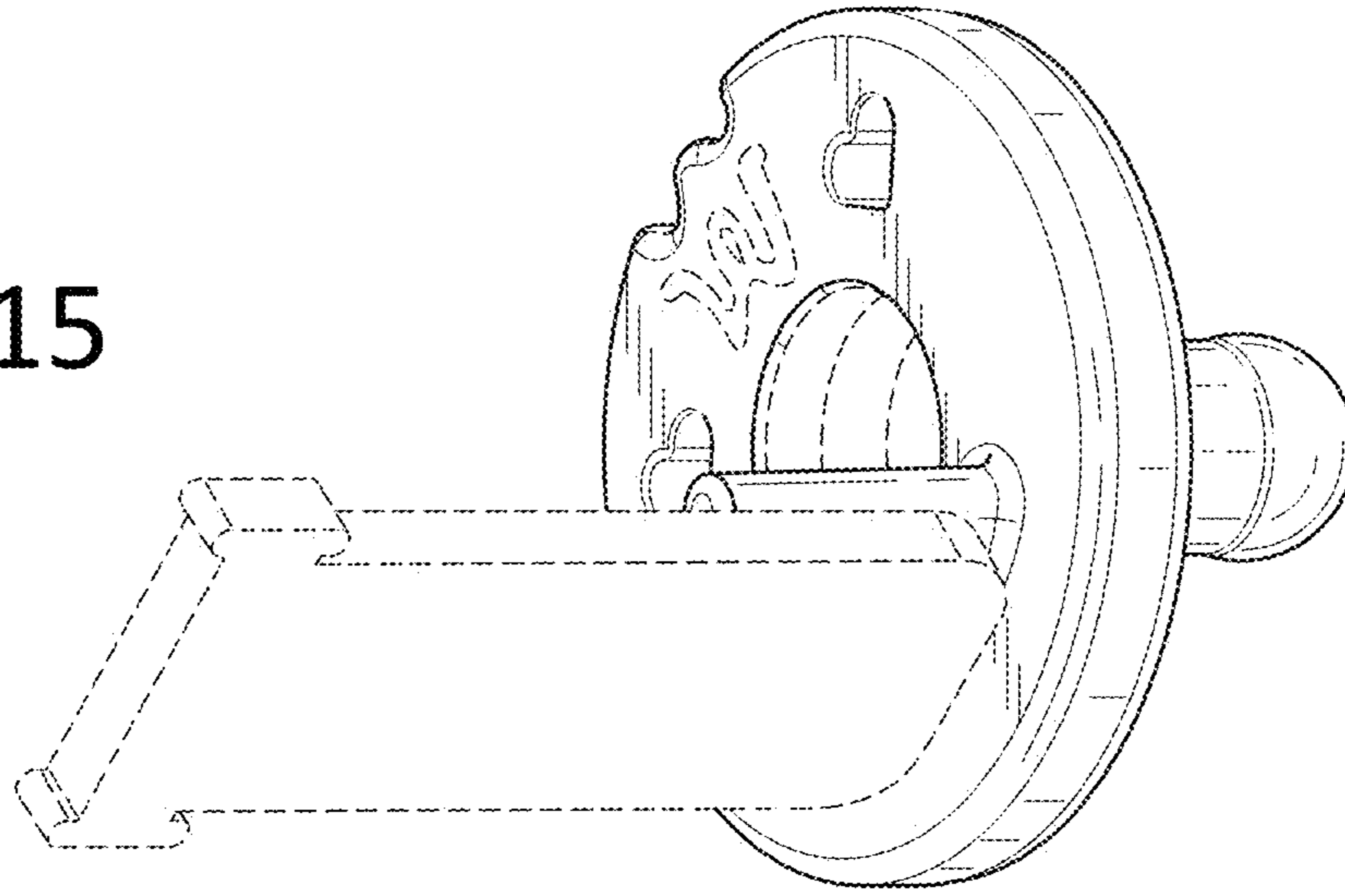


FIG. 16

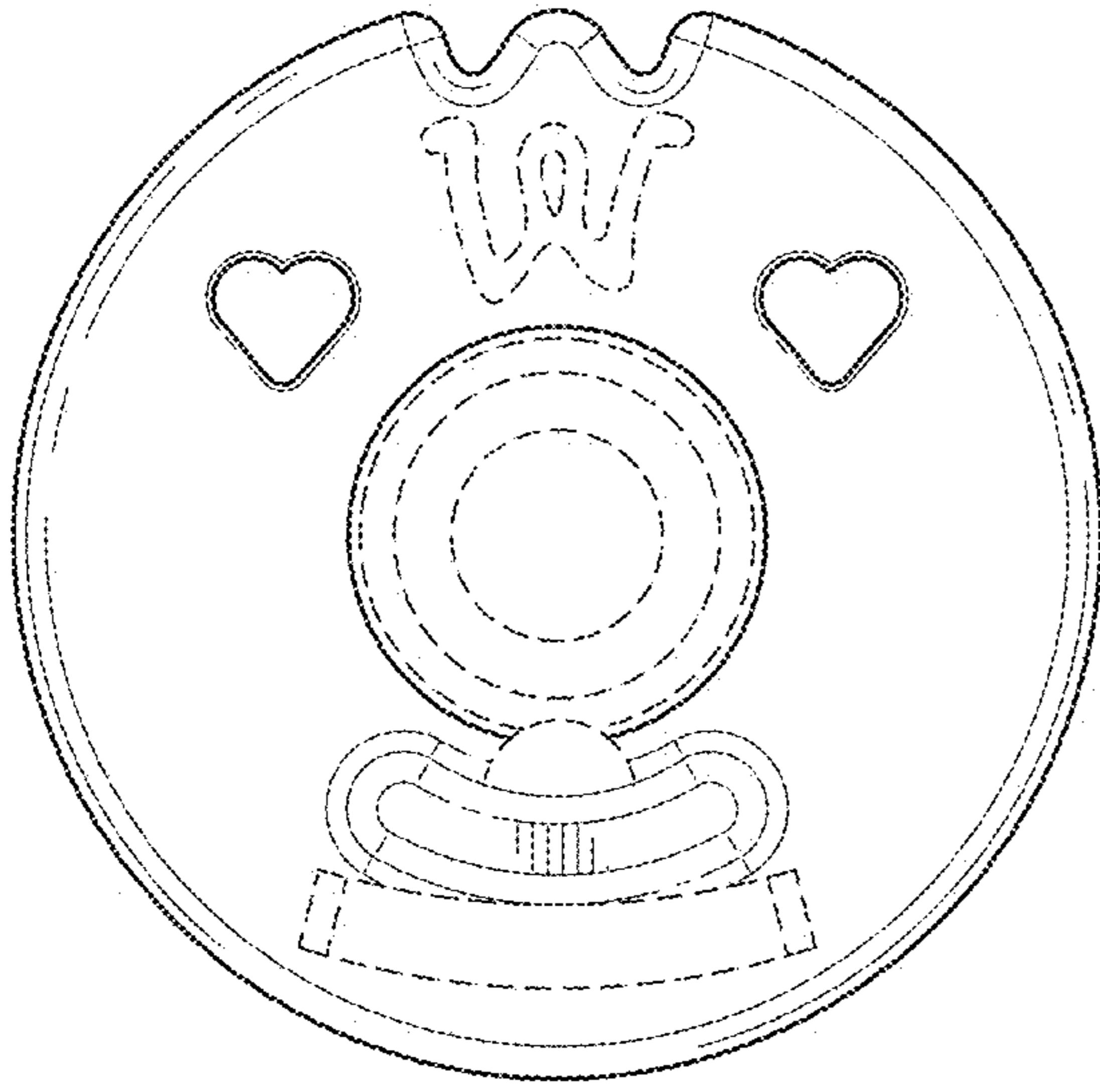


FIG. 17

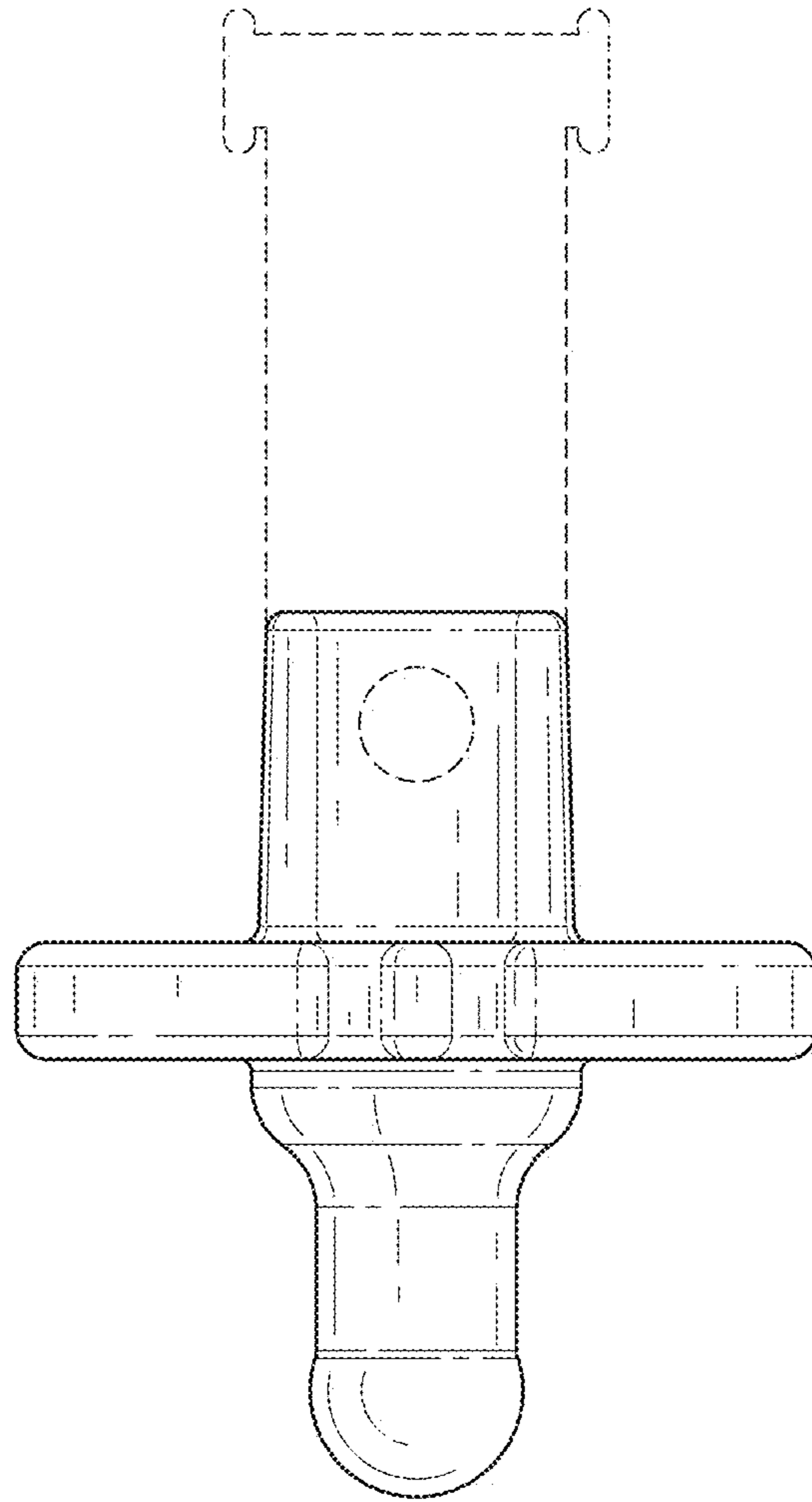


FIG. 18

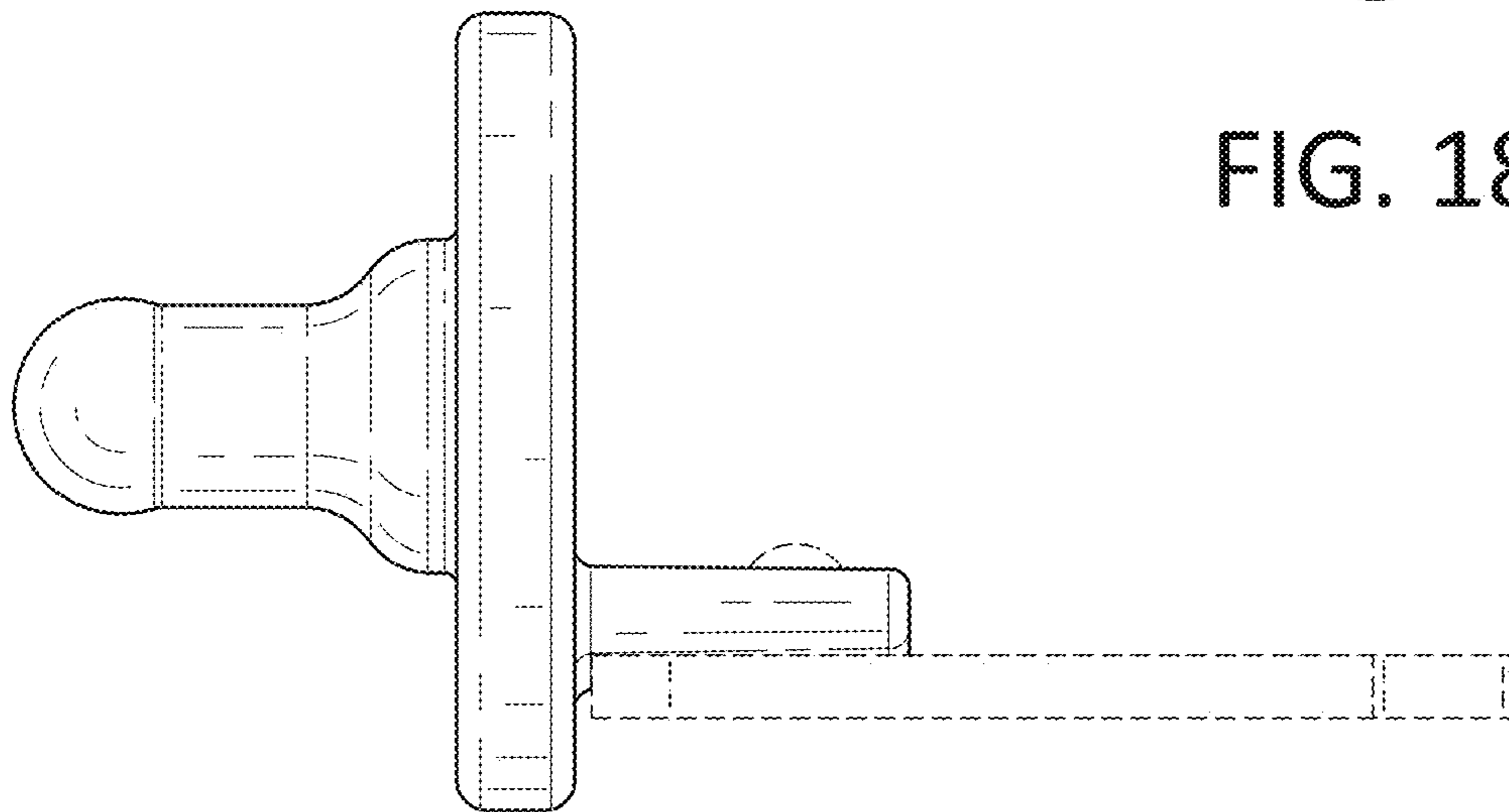


FIG. 19