



US00D975285S

(12) **United States Design Patent**
Robran

(10) **Patent No.:** **US D975,285 S**
(45) **Date of Patent:** **** Jan. 10, 2023**

(54) **ORTHOPEdic DEVICE**

FOREIGN PATENT DOCUMENTS

(71) Applicant: **BONE FOAM, INC.**, Corcoran, MN (US)

KR 3020200052313 * 11/2021

(72) Inventor: **Chad L. Robran**, Plymouth, MN (US)

OTHER PUBLICATIONS

(73) Assignee: **Bone Foam, Inc.**, Corcoran, MN (US)

Zero Degree Knee Pillow—Surgery Knee Pillow—Knee Rehab—Foam Wedge—Physical Therapy. Online, published date unknown. Retrieved on Feb. 14, 2022 from URL: <https://www.ubuy.kr/en/catalog/product/view/id/18757383/s/zero-degree-knee-pillow-post-surgery-knee-pillows-knee-foam-wedge-knee-rest>.*

(**) Term: **15 Years**

(21) Appl. No.: **29/749,978**

* cited by examiner

(22) Filed: **Sep. 10, 2020**

(51) **LOC (14) Cl.** **24-02**

Primary Examiner — Omeed Agilee

(52) **U.S. Cl.**

(74) *Attorney, Agent, or Firm* — Workman Nydegger

USPC **D24/184**; D24/190

(58) **Field of Classification Search**

(57) **CLAIM**

USPC D24/155–157, 171, 180, 183, 184, 190, D24/192, 211, 212, 213, 215; D29/101.3, D29/120.1, 121.1, 121.2, 122

The ornamental design for an orthopedic device, as shown and described.

CPC A61G 1/04; A61G 1/052; A61G 7/1036; A61G 7/1053; A61G 13/125; A61F 5/0116; A61B 17/1739; A61B 17/8066

See application file for complete search history.

DESCRIPTION

(56) **References Cited**

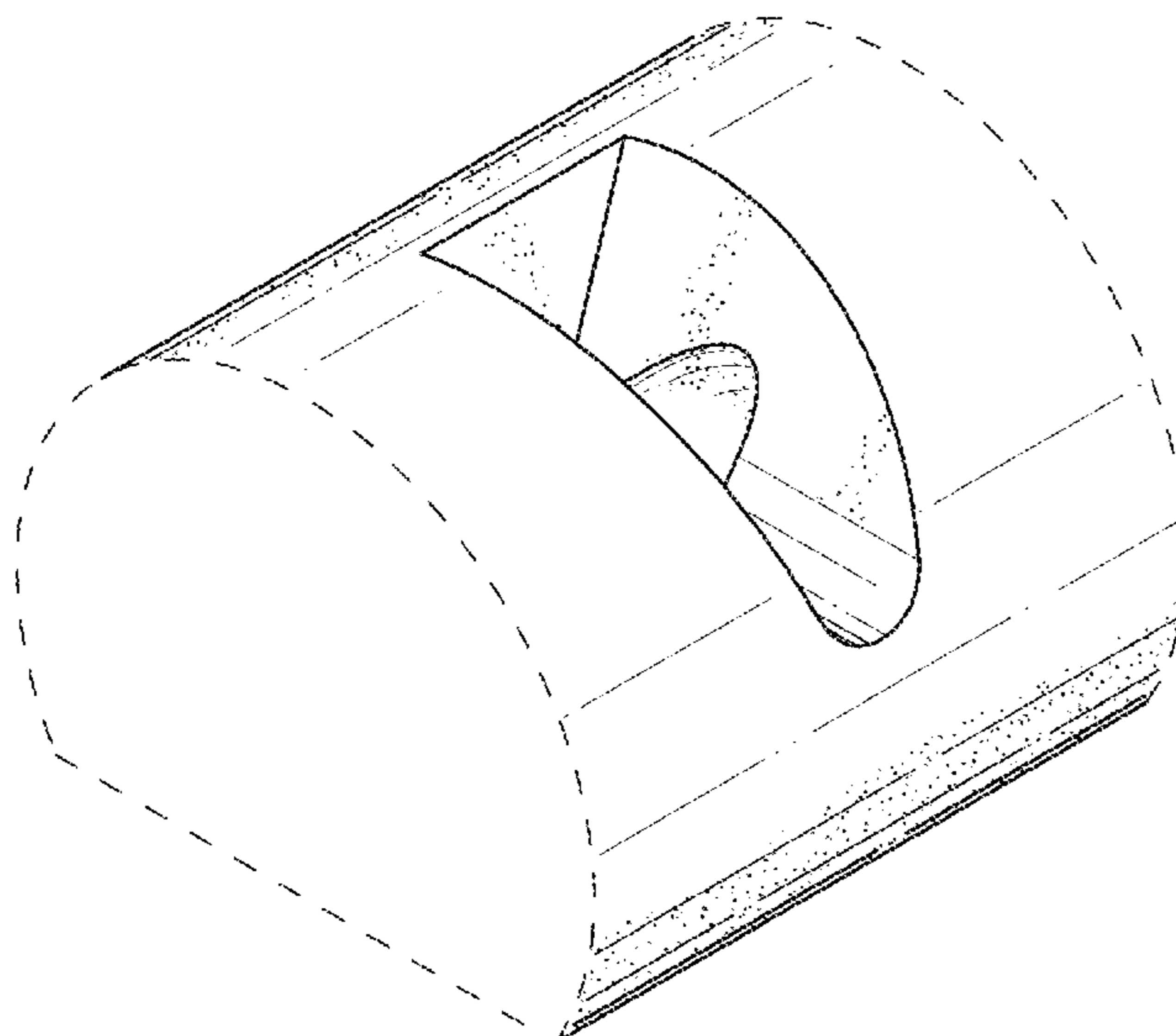
FIG. 1 is a top, left front perspective view of an orthopedic device;
FIG. 2 is a top, right rear perspective view thereof;
FIG. 3 is a bottom, left perspective view thereof;
FIG. 4 is a bottom, right perspective view thereof;
FIG. 5 is a front elevational view thereof;
FIG. 6 is a rear elevational view thereof;
FIG. 7 is a top plan view thereof;
FIG. 8 is a bottom plan view thereof;
FIG. 9 is a left side view thereof;
FIG. 10 is a right side view thereof; and,
FIG. 11 is a cross-sectional view thereof taken along line 11-11 in FIG. 5.

U.S. PATENT DOCUMENTS

4,214,326	A *	7/1980	Spann	A47C 20/027
					5/632
D299,862	S *	2/1989	Norrid	D24/212
D583,053	S *	12/2008	Zhukauskas	D24/155
D789,540	S *	6/2017	Gyorgy	D24/155
D827,141	S *	8/2018	Pichette	D24/184
D886,300	S *	6/2020	Marcil	D24/171
D923,807	S *	6/2021	Long	D24/213
D928,311	S *	8/2021	McVaney	D24/128
D932,642	S *	10/2021	Fleming	D24/211
2010/0275378	A1 *	11/2010	Xiao	A47G 9/1045
					5/639
2018/0133099	A1 *	5/2018	Wade	A61H 23/02
2020/0261296	A1 *	8/2020	Kilbey	A61G 13/125
2021/0077287	A1 *	3/2021	Robran	A61F 5/0116

In the drawings, the broken lines depict portions of the orthopedic device that form no part of the claimed design.

1 Claim, 6 Drawing Sheets



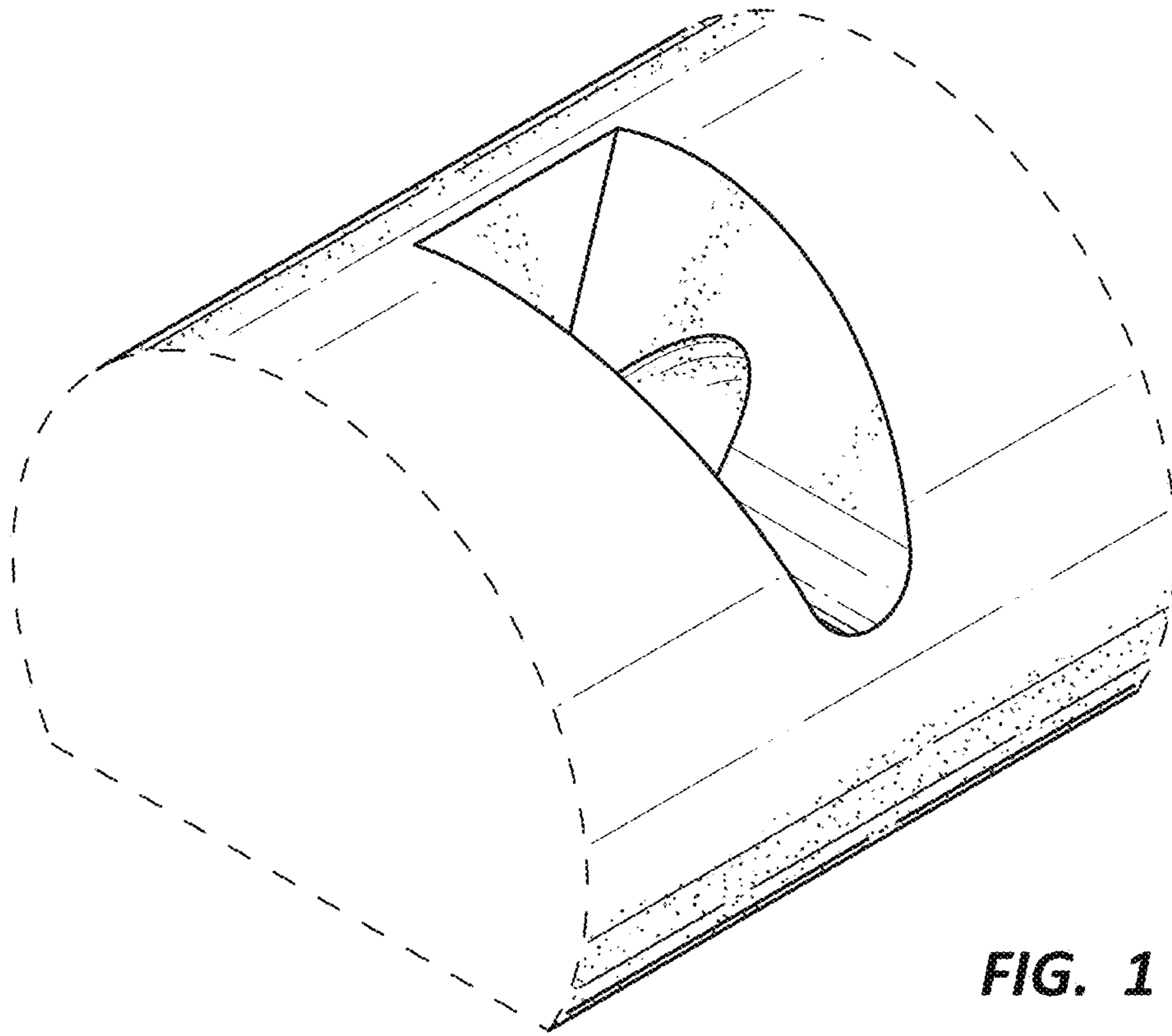


FIG. 1

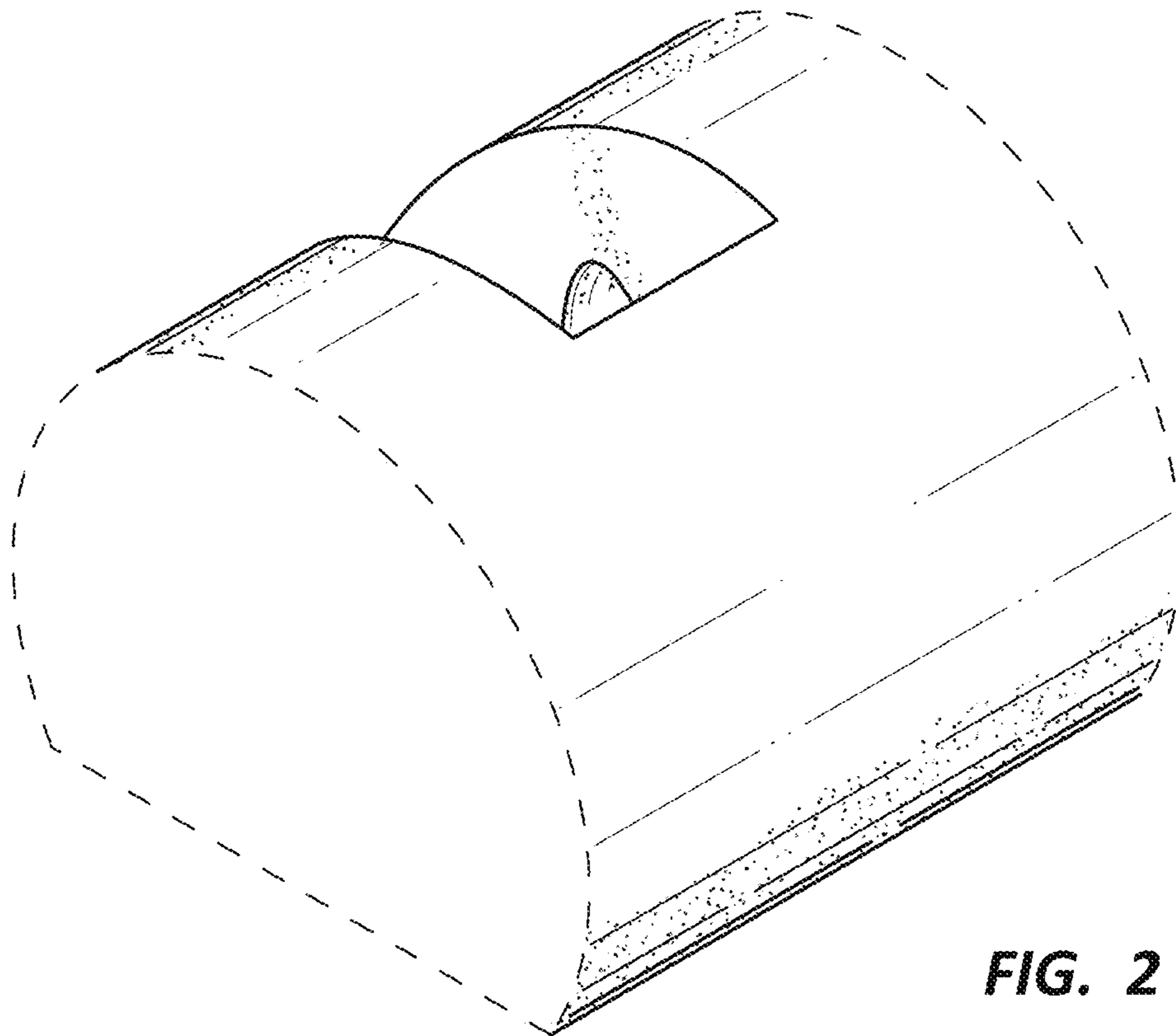


FIG. 2

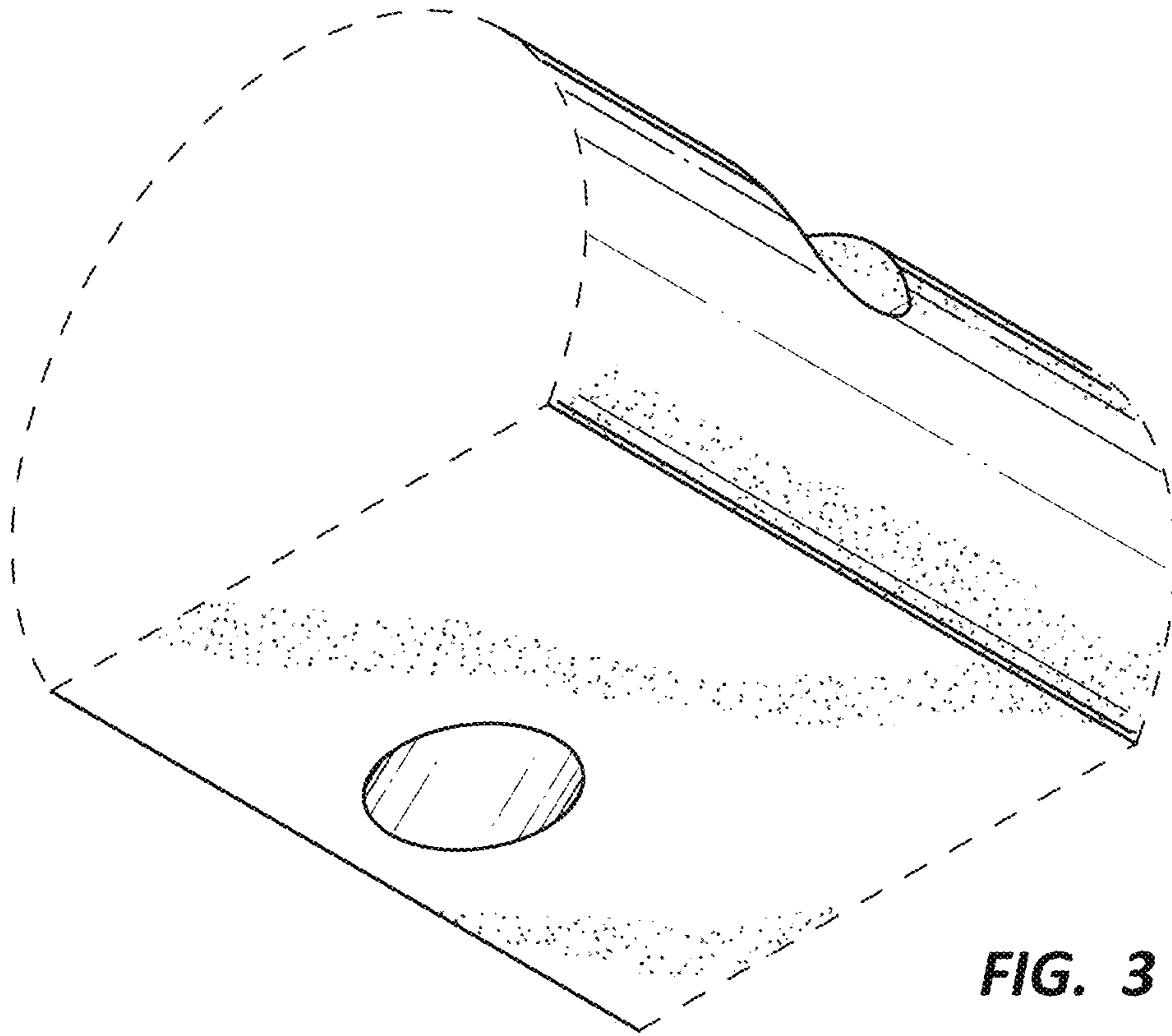


FIG. 3

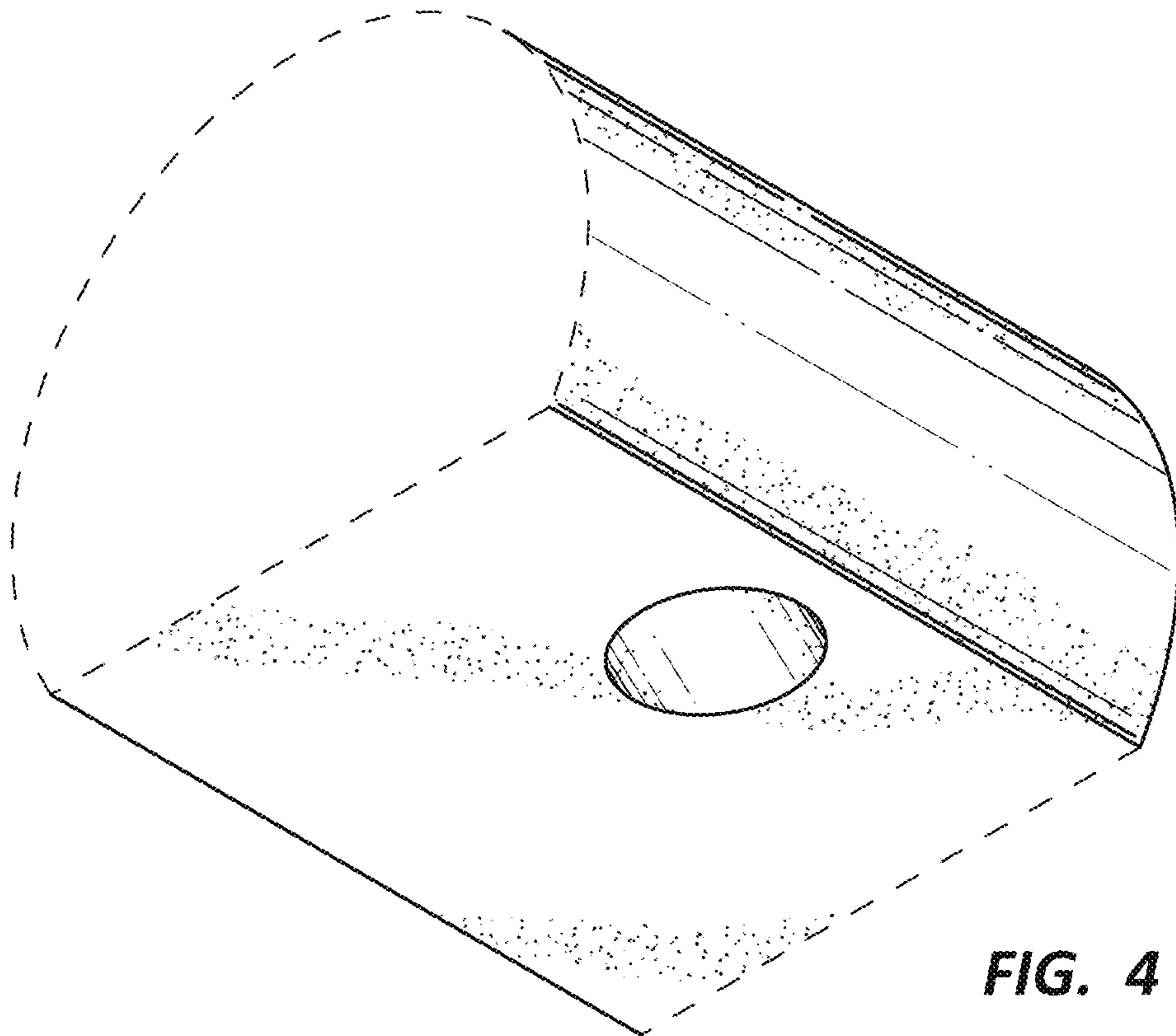


FIG. 4

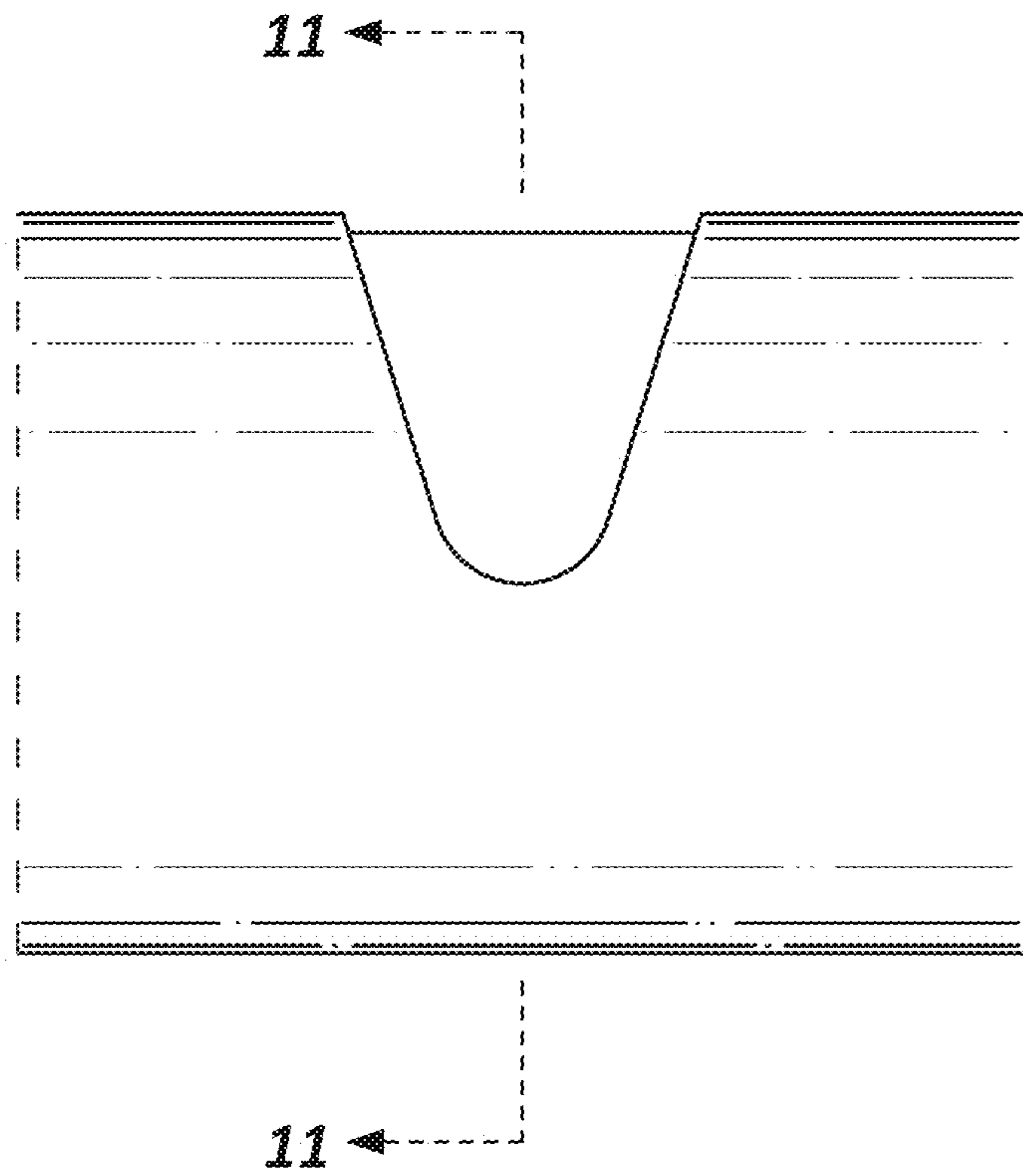


FIG. 5

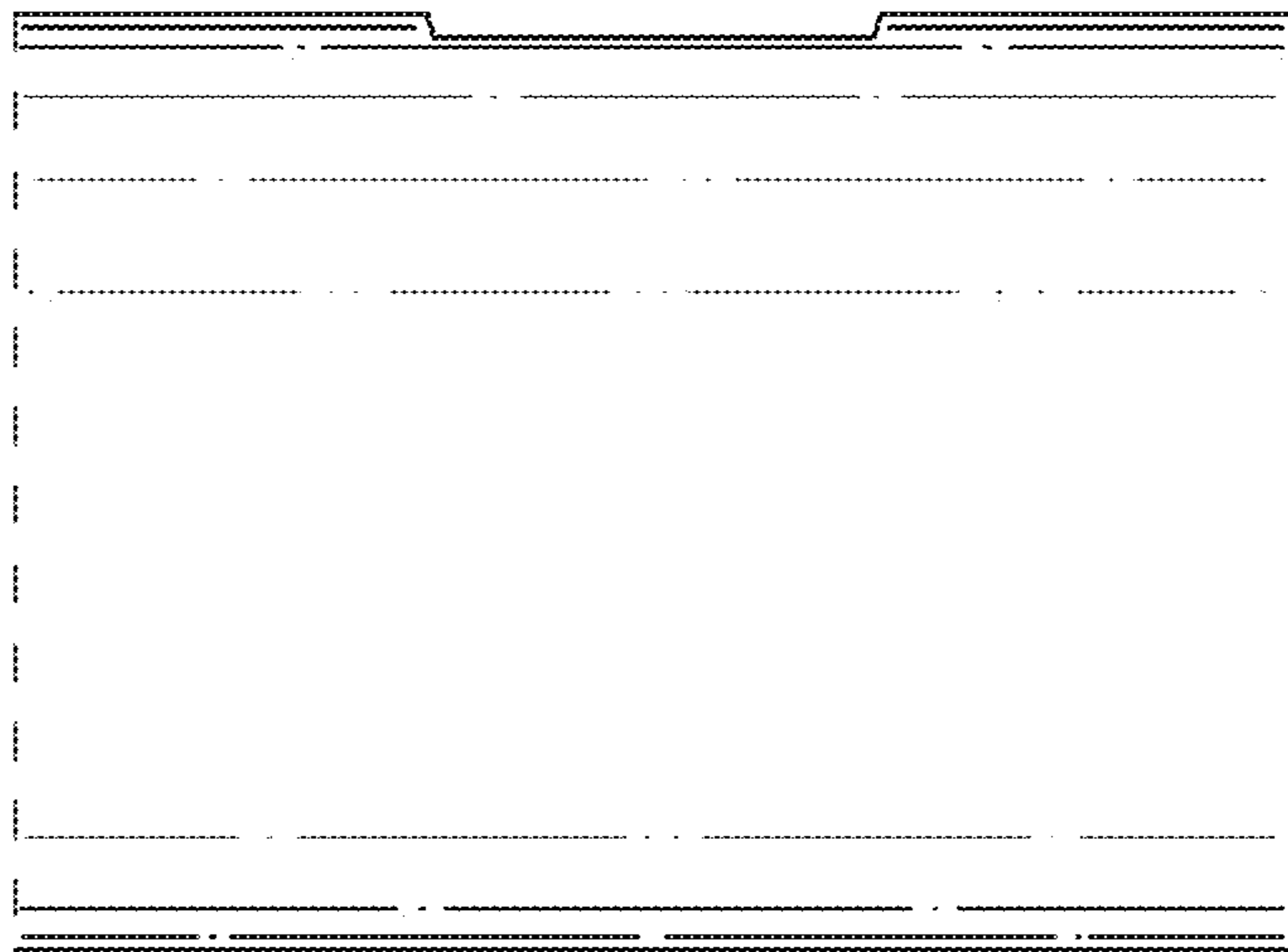


FIG. 6

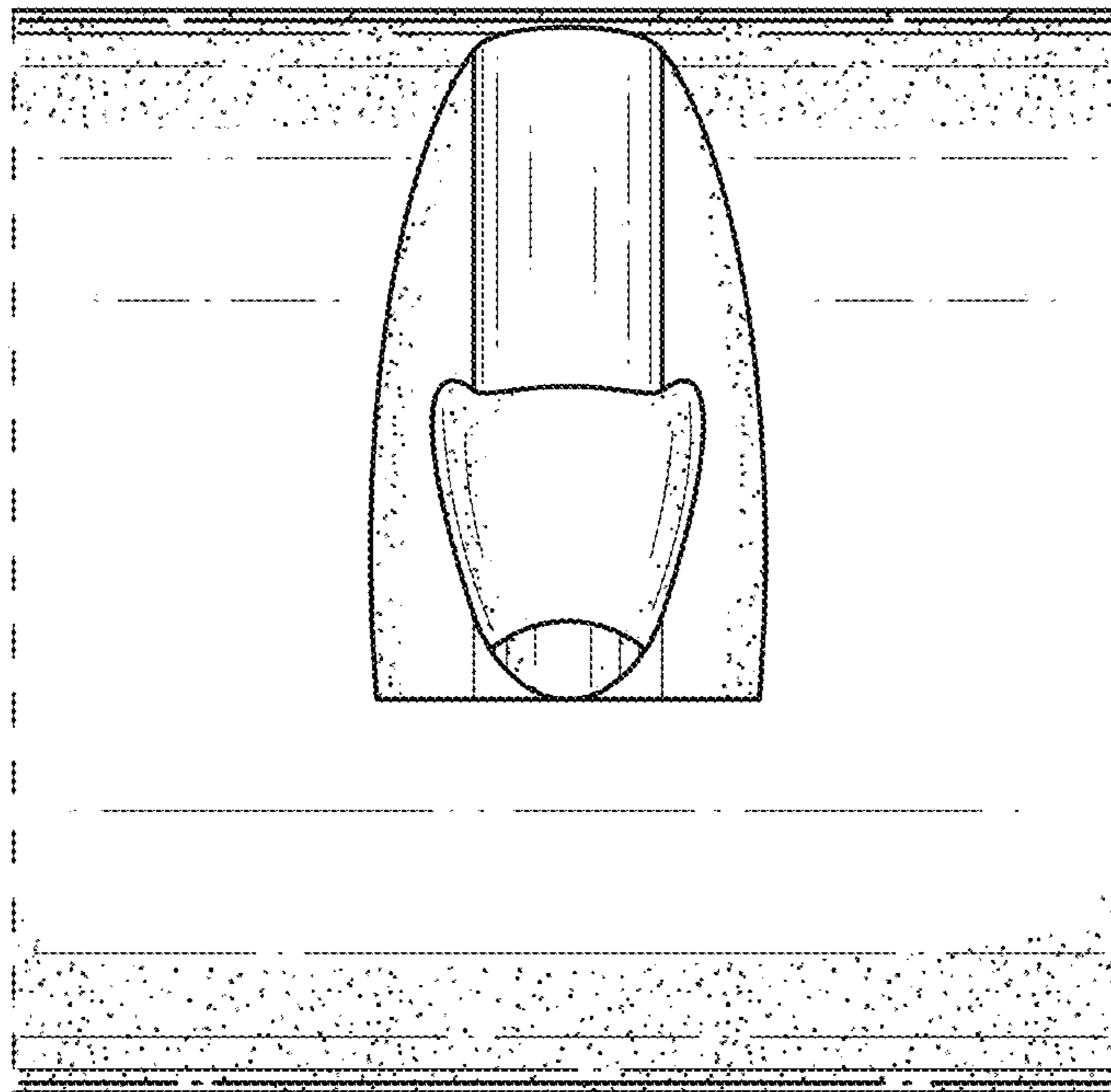


FIG. 7

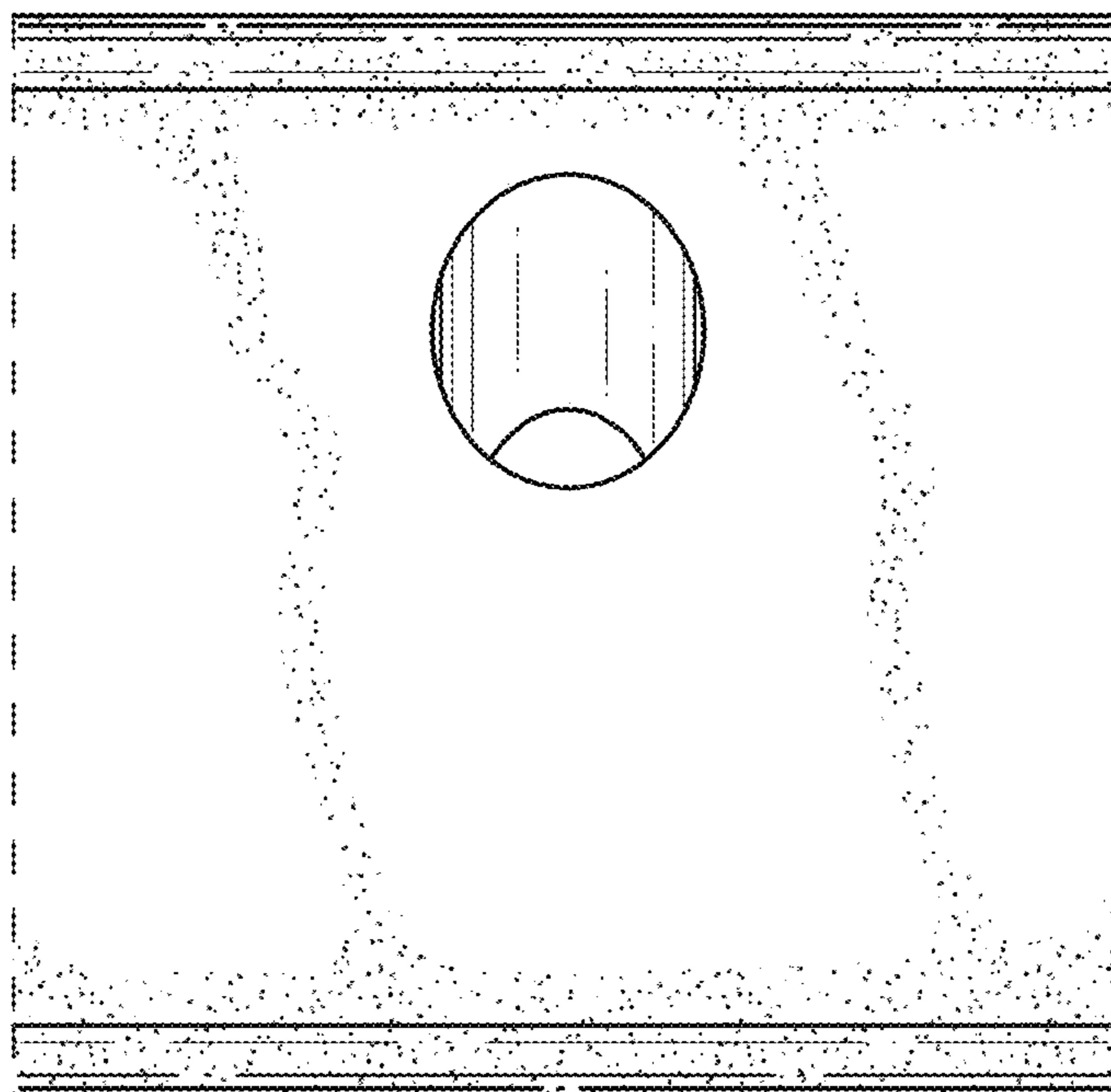


FIG. 8

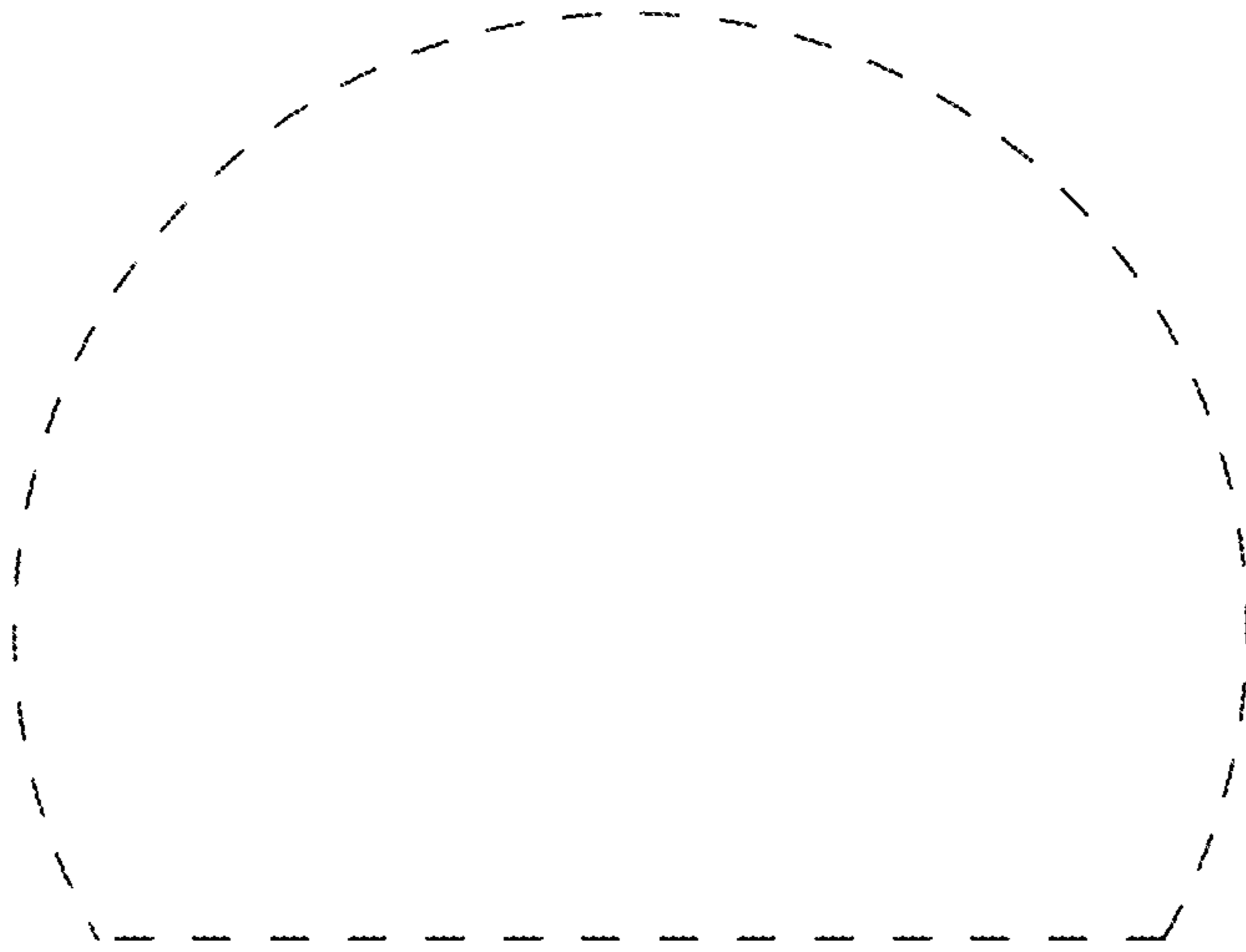


FIG. 9

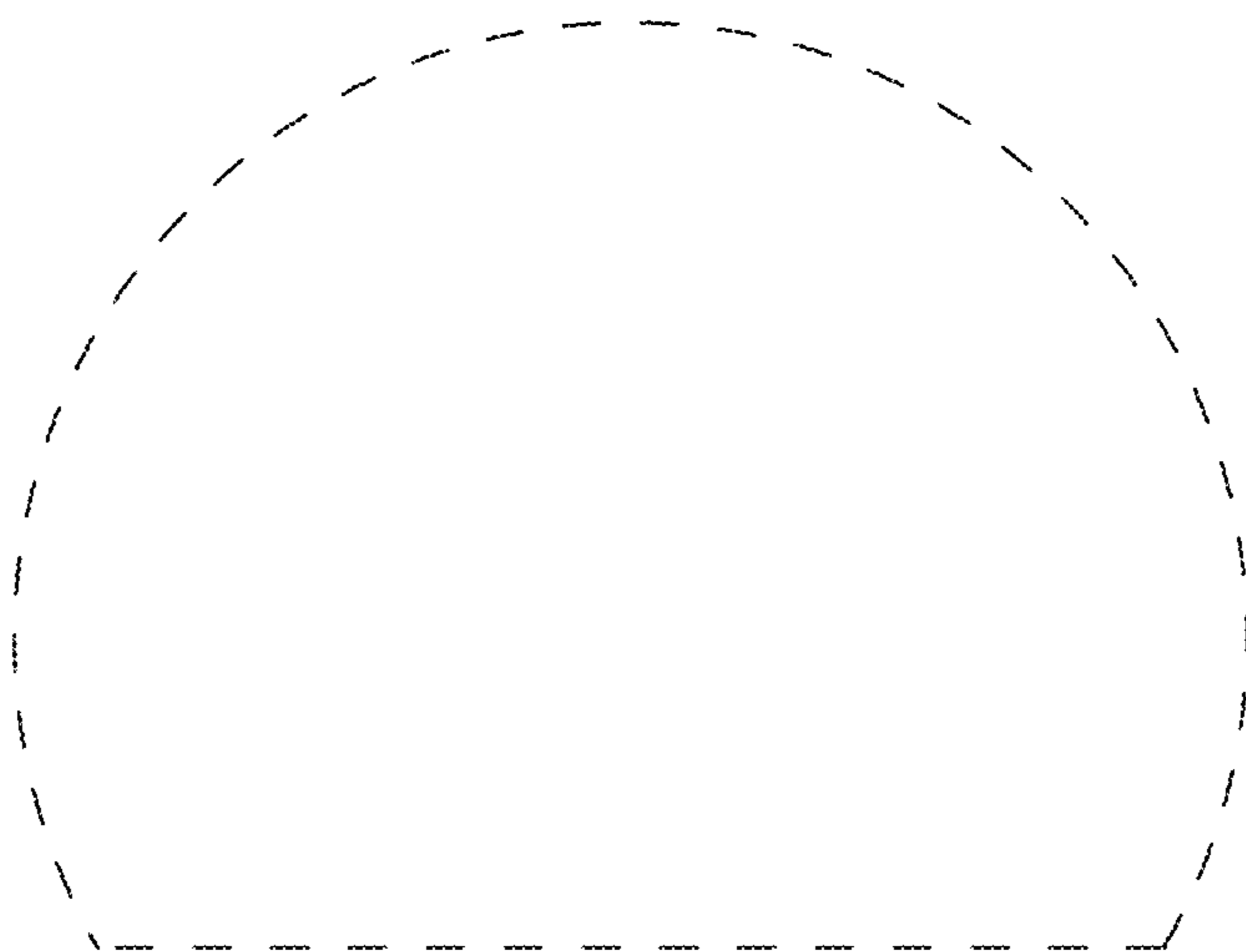


FIG. 10

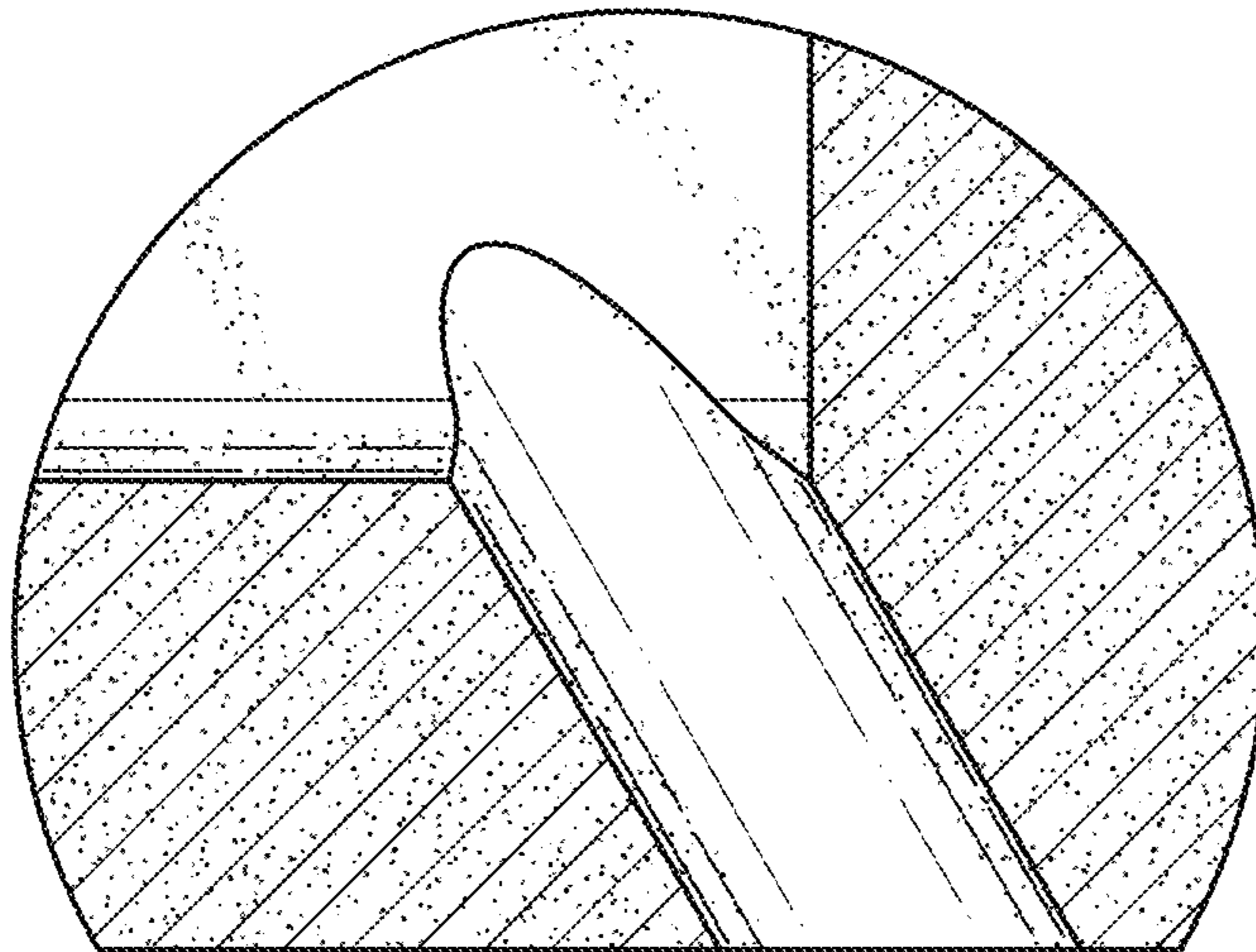


FIG. 11