



US00D975283S

(12) **United States Design Patent**
Hu

(10) **Patent No.:** **US D975,283 S**
(45) **Date of Patent:** **** Jan. 10, 2023**

(54) **HEARING AID**

(71) Applicant: **Huanhuan Hu**, Leiyang (CN)

(72) Inventor: **Huanhuan Hu**, Leiyang (CN)

(**) Term: **15 Years**

(21) Appl. No.: **29/836,804**

(22) Filed: **Apr. 29, 2022**

(51) **LOC (14) Cl.** **24-99**

(52) **U.S. Cl.**

USPC **D24/174**

(58) **Field of Classification Search**

USPC D24/106, 173, 174; D14/223, 205, 224,
D14/225, 226, 249, 429; D29/112
CPC .. A61F 11/08; A61F 11/085; H04R 2225/025;
H04R 2225/021; H04R 2225/023; H04R
25/00; H04R 25/02; H04R 25/60; H04R
25/67; H04R 25/602; H04R 25/604;
H04R 25/608; H04R 1/1016; H04R
1/105; H04R 1/1083; A45F 5/004; H01L
23/02; H01Q 7/00; H01Q 13/10
See application file for complete search history.

(56) **References Cited**

U.S. PATENT DOCUMENTS

D597,534 S *	8/2009	Christopher	D14/223
D705,759 S *	5/2014	Drambarean	H04R 25/00
				D14/223
D705,760 S *	5/2014	Drambarean	H04R 25/00
				D14/223
D777,710 S *	1/2017	Palmborg	D14/223
D794,611 S *	8/2017	Valenzuela	D14/223
D798,843 S *	10/2017	Valenzuela	D14/223
D800,097 S *	10/2017	Chen	D14/223
D804,034 S	11/2017	Gabathuler et al.		
D813,205 S *	3/2018	Palmborg	D14/223
D813,848 S *	3/2018	Palmborg	D14/223
D817,309 S *	5/2018	Czaniecki	D14/223
D841,626 S *	2/2019	Tang	D14/223

D841,627 S *	2/2019	Wen	D14/223
D845,932 S *	4/2019	Lu	D14/223
D846,532 S *	4/2019	Xiao	D14/223
D862,424 S *	10/2019	You	D14/223
D863,260 S *	10/2019	Zheng	D14/223
D863,263 S *	10/2019	Yu	D14/223
D879,074 S *	3/2020	Komiya	D14/223
D880,457 S *	4/2020	Zhu	D14/223
D883,261 S *	5/2020	Zhang	D14/223
D883,958 S *	5/2020	Liu	D14/223
D892,087 S *	8/2020	Briggs	D14/223

(Continued)

OTHER PUBLICATIONS

Fursom Rechargeable Hearing Aids, [site visited Aug. 19, 2022]. Available from Internet. URL: https://www.amazon.com/Fursom-Rechargeable-Amplifier-Cancelling-Comfortable/dp/B0B6R3YNTS/ref=cm_cr_srp_d_product_top?ie=UTF8 Apr. 26, 2022 (Year: 2022).*

(Continued)

Primary Examiner — T Chase Nelson

Assistant Examiner — Kelly L Gross

(57)

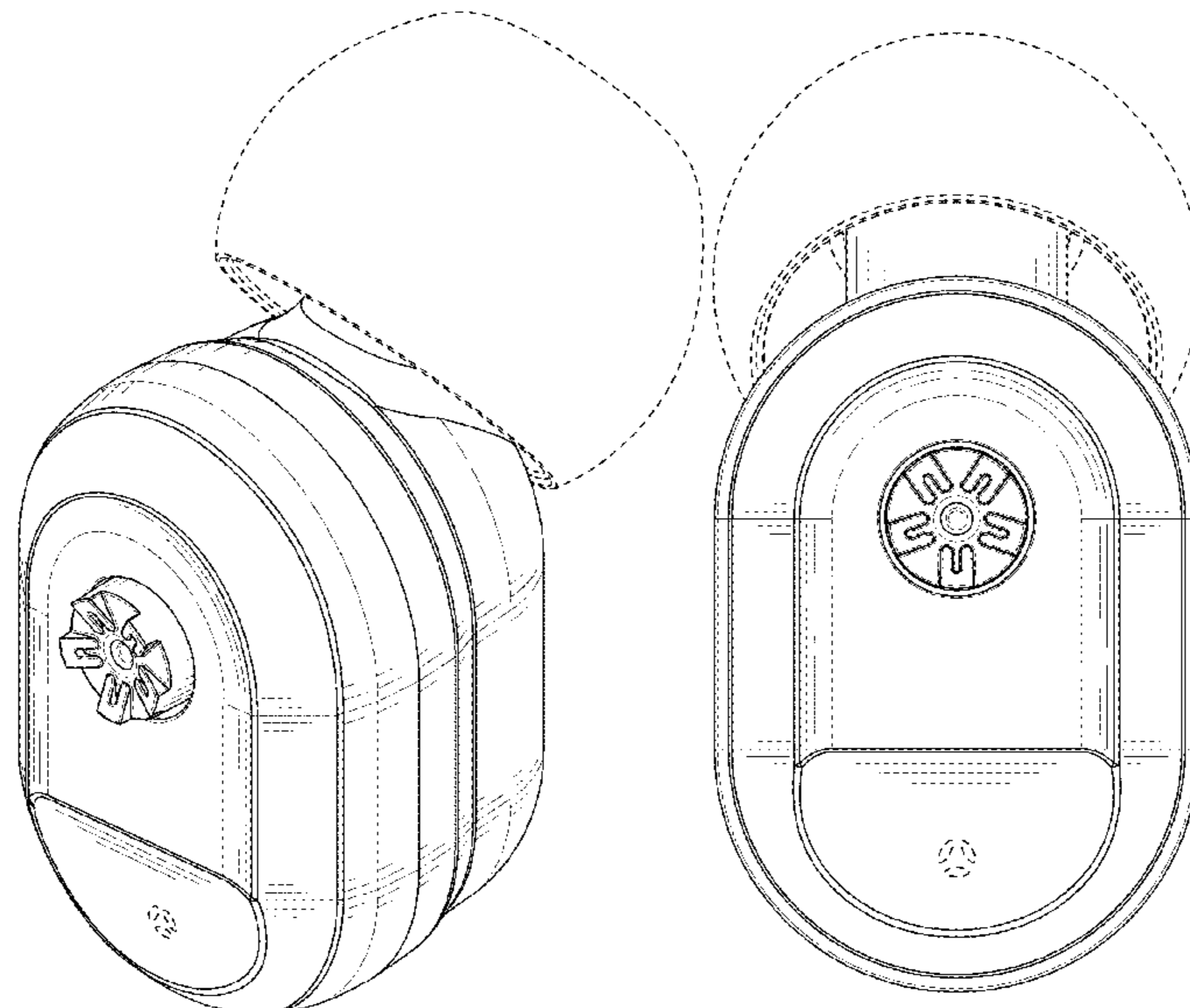
CLAIM

The ornamental design for a hearing aid, as shown and described.

DESCRIPTION

FIG. 1 is a perspective view of a hearing aid showing my new design;
FIG. 2 is another perspective view thereof;
FIG. 3 is a front view thereof;
FIG. 4 is a rear view thereof;
FIG. 5 is a left side view thereof;
FIG. 6 is a right side view thereof;
FIG. 7 is a top plan view thereof; and,
FIG. 8 is a bottom plan view thereof.
The broken lines depict portions of the hearing aid and form no part of the claimed design.

1 Claim, 8 Drawing Sheets



(56)

References Cited

U.S. PATENT DOCUMENTS

D894,160 S * 8/2020 Andrevski D14/223
 D895,578 S * 9/2020 Yang D14/223
 D895,580 S * 9/2020 Yu D14/223
 D895,806 S 9/2020 Zheng
 D896,387 S 9/2020 Shi et al.
 D897,996 S * 10/2020 Mei D14/223
 D897,999 S * 10/2020 Li D14/223
 D899,405 S * 10/2020 Vaclavik D14/223
 D900,064 S * 10/2020 Laffon de Mazieres D14/223
 D902,184 S * 11/2020 Yang D14/223
 D902,185 S * 11/2020 Xian D14/223
 D902,892 S * 11/2020 Liu D14/223
 D903,638 S * 12/2020 Li D14/223
 D904,352 S * 12/2020 Park H04R 1/1016
 D910,603 S * 2/2021 Li D14/223
 D912,016 S * 3/2021 Ando D14/223
 D917,425 S * 4/2021 Wang D14/223
 D917,428 S * 4/2021 Khoi D14/223
 D918,873 S * 5/2021 Deng D14/223
 D920,288 S * 5/2021 Vautour D14/223
 D922,358 S * 6/2021 Li D14/223
 D922,985 S * 6/2021 Kataoka D14/223
 D924,207 S * 7/2021 Li D14/223
 D924,848 S * 7/2021 Yang D14/223
 D924,849 S * 7/2021 Yang D14/223
 D925,492 S * 7/2021 Sugiura D14/223
 D926,159 S * 7/2021 Miyata D14/223
 D927,466 S * 8/2021 Zhang D14/223
 D928,122 S * 8/2021 Yoshida D14/223
 D928,742 S * 8/2021 Liu D14/223
 D930,617 S * 9/2021 Tanaka D14/223
 D934,840 S * 11/2021 Takubo D14/223
 D934,841 S * 11/2021 Takubo D14/223
 D936,638 S * 11/2021 Lefebure D14/223
 D938,941 S * 12/2021 Iwahori D14/223
 D939,478 S * 12/2021 Wu D14/223

D939,479 S * 12/2021 Wang D14/223
 D940,107 S * 1/2022 He D14/223
 D940,108 S * 1/2022 Wu D14/223
 D940,112 S * 1/2022 Yi D14/223
 D941,275 S * 1/2022 Liu D14/223
 D941,278 S * 1/2022 Laffon de Mazieres D14/223
 D941,805 S * 1/2022 Li D14/223
 D944,778 S * 3/2022 Chih D14/223
 D945,404 S * 3/2022 Birger D14/223
 D945,405 S * 3/2022 Rose D14/223
 D947,157 S * 3/2022 Choe D14/223
 D947,817 S * 4/2022 Nakamura D14/223
 D948,483 S * 4/2022 Yoneyama D14/223
 D949,130 S * 4/2022 Loermann D14/223
 D951,236 S * 5/2022 Laffon de Mazieres D14/223
 D951,916 S * 5/2022 Yang D14/223
 D952,861 S * 5/2022 Xia D24/174
 D954,026 S * 6/2022 Sasaki D14/223
 D954,027 S * 6/2022 Chen D14/223
 D954,682 S * 6/2022 Ai D14/223
 D954,683 S * 6/2022 Huang D14/223
 D955,369 S * 6/2022 Zhang D14/223
 D957,362 S * 7/2022 Wu D14/206
 D957,365 S * 7/2022 Lee D14/223
 D958,372 S * 7/2022 Christiansen D24/174
 D959,411 S * 8/2022 Ando D14/223
 D961,088 S * 8/2022 Christiansen D24/174
 2003/0172938 A1 * 9/2003 Falco A61F 11/08
 128/864
 2021/0352395 A1 * 11/2021 Wang H04R 1/1016

OTHER PUBLICATIONS

Dated Review—Fursom Rechargeable Hearing Aids, [site visited Aug. 19, 2022]. Available from Internet. URL: https://www.amazon.com/gp/customer-reviews/R3ASXBRIYH7IJJ/ref=cm_cr_arp_d_rvw_ttl?ie=UTF8&ASIN=B0B6R3YNTS Apr. 26, 2022 (Year: 2022).*

* cited by examiner

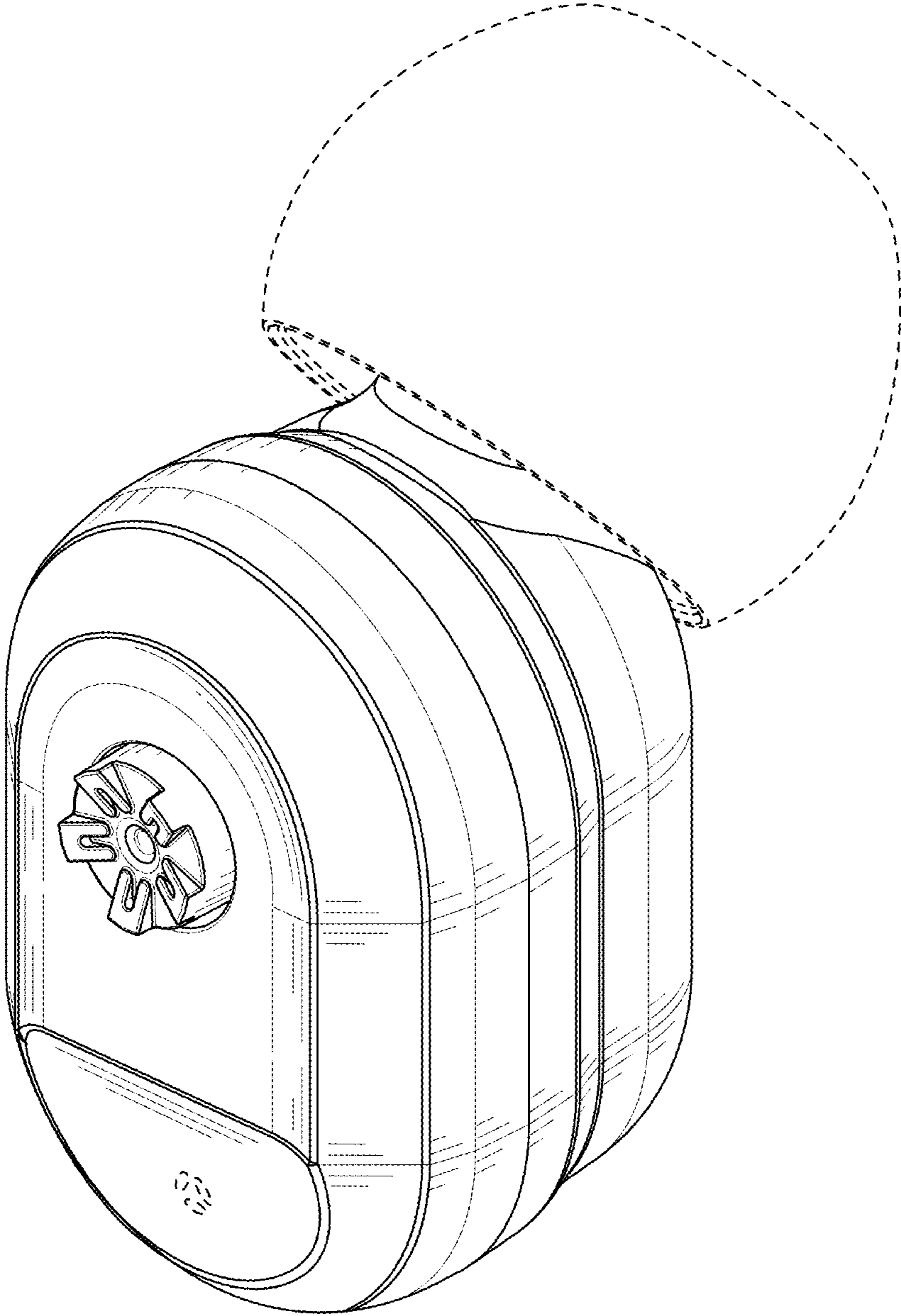


FIG. 1

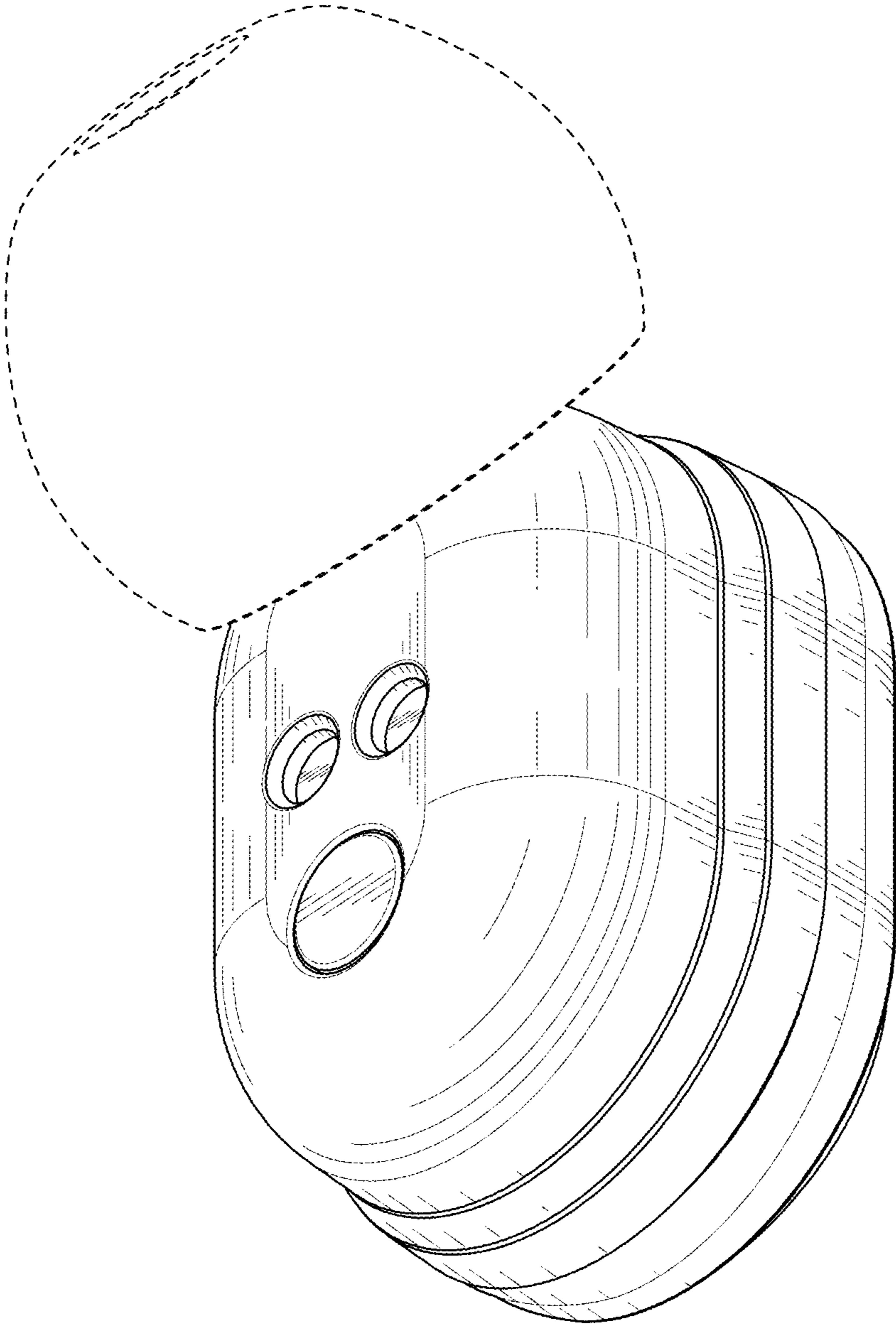


FIG. 2

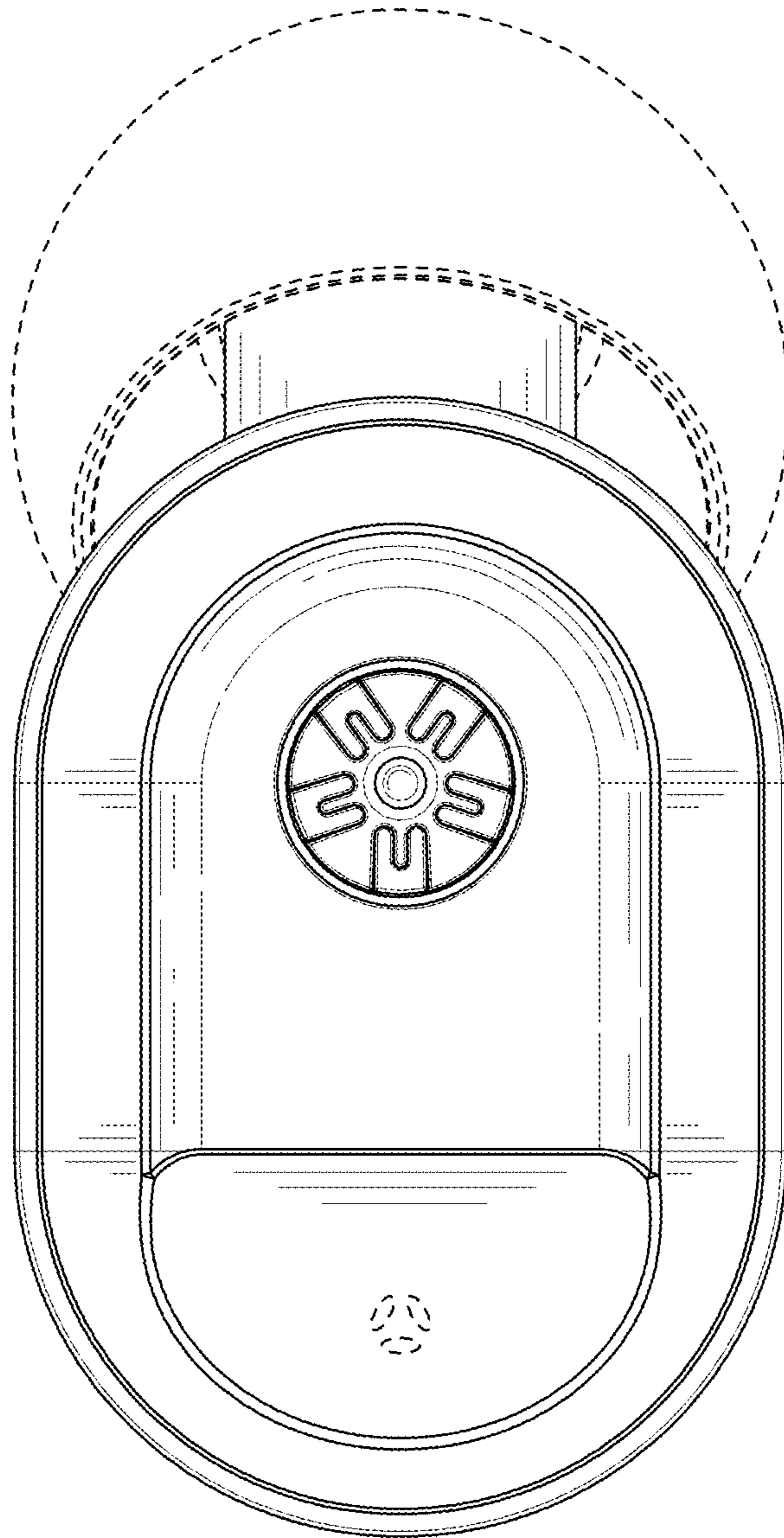


FIG. 3

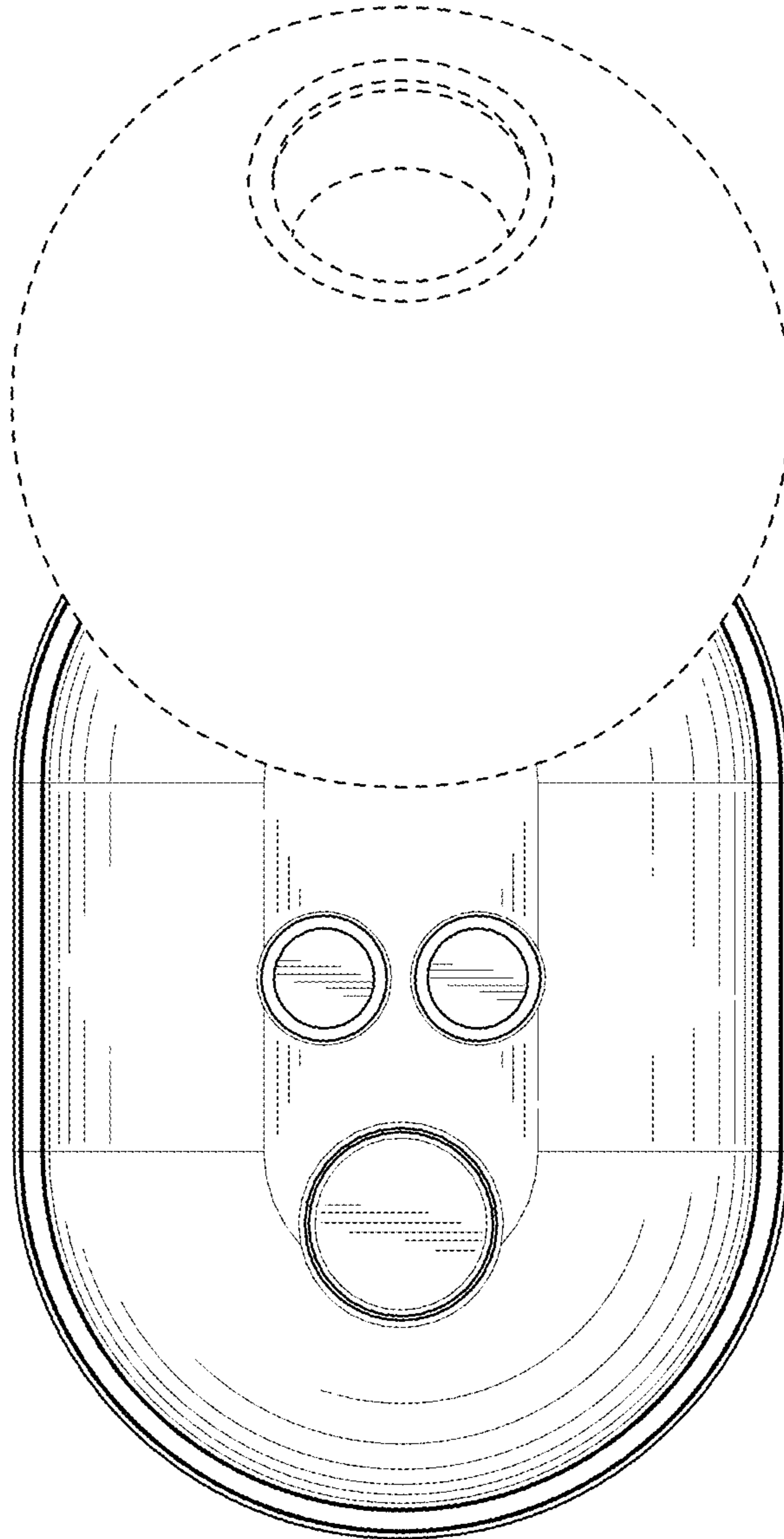


FIG. 4

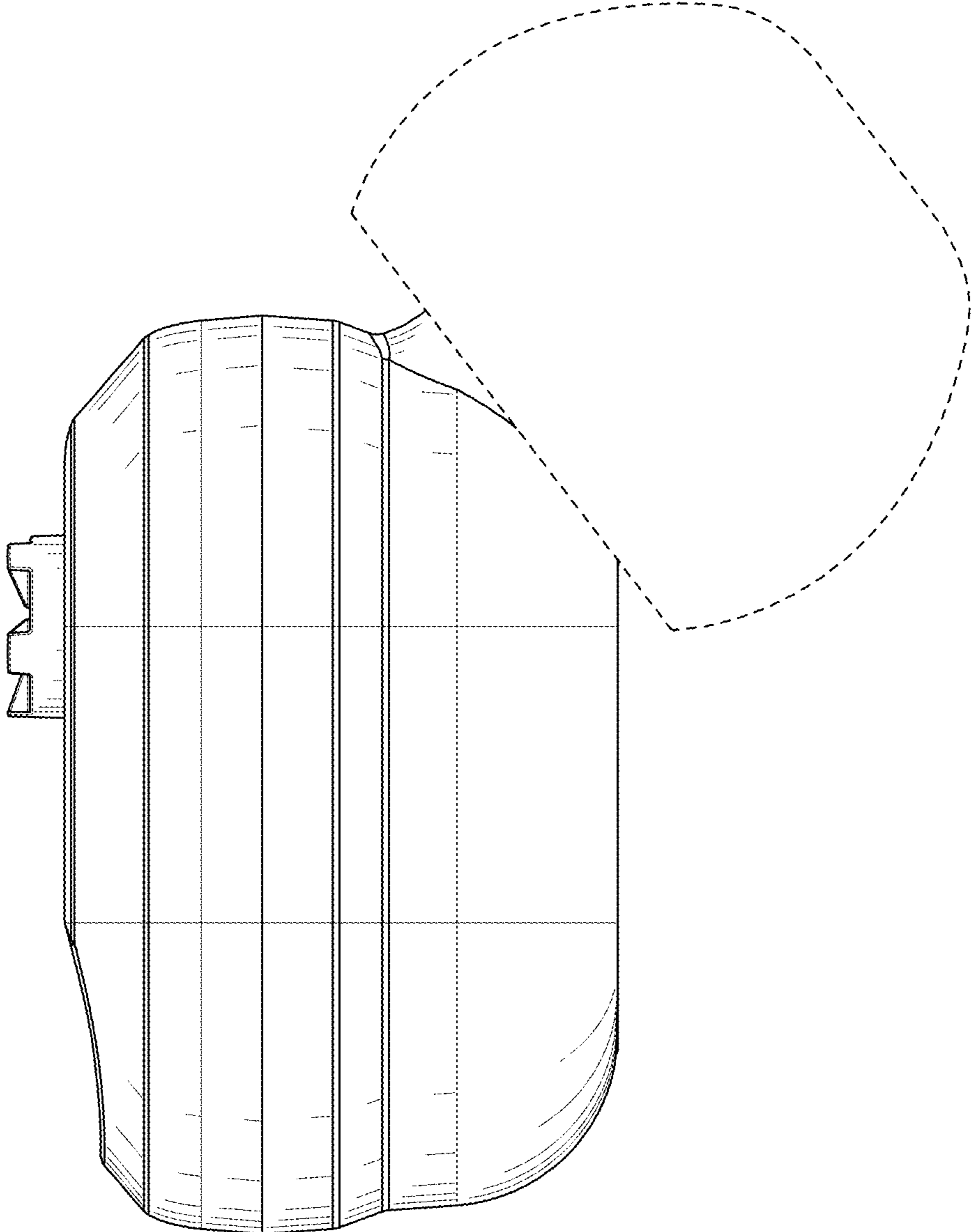


FIG. 5

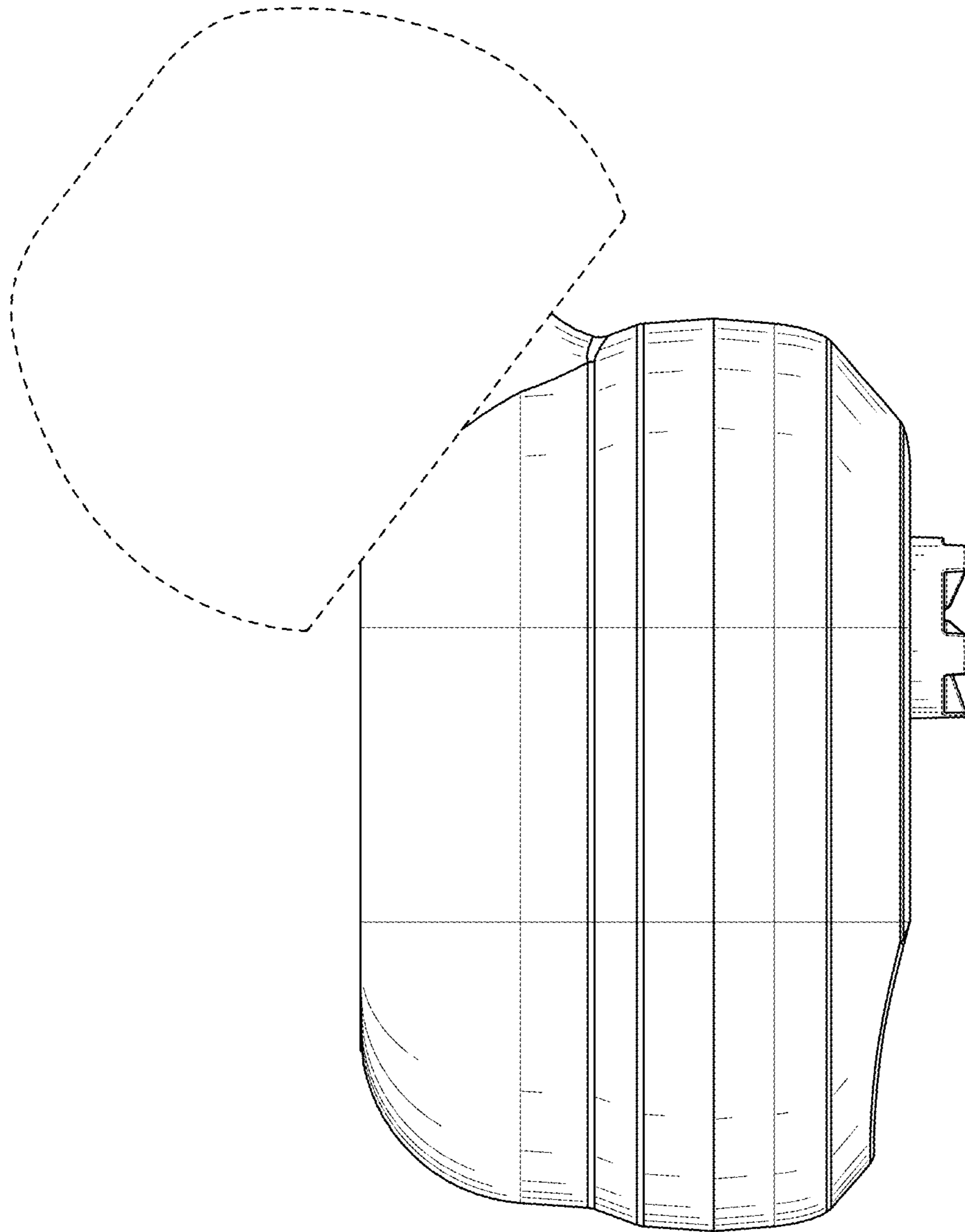


FIG. 6

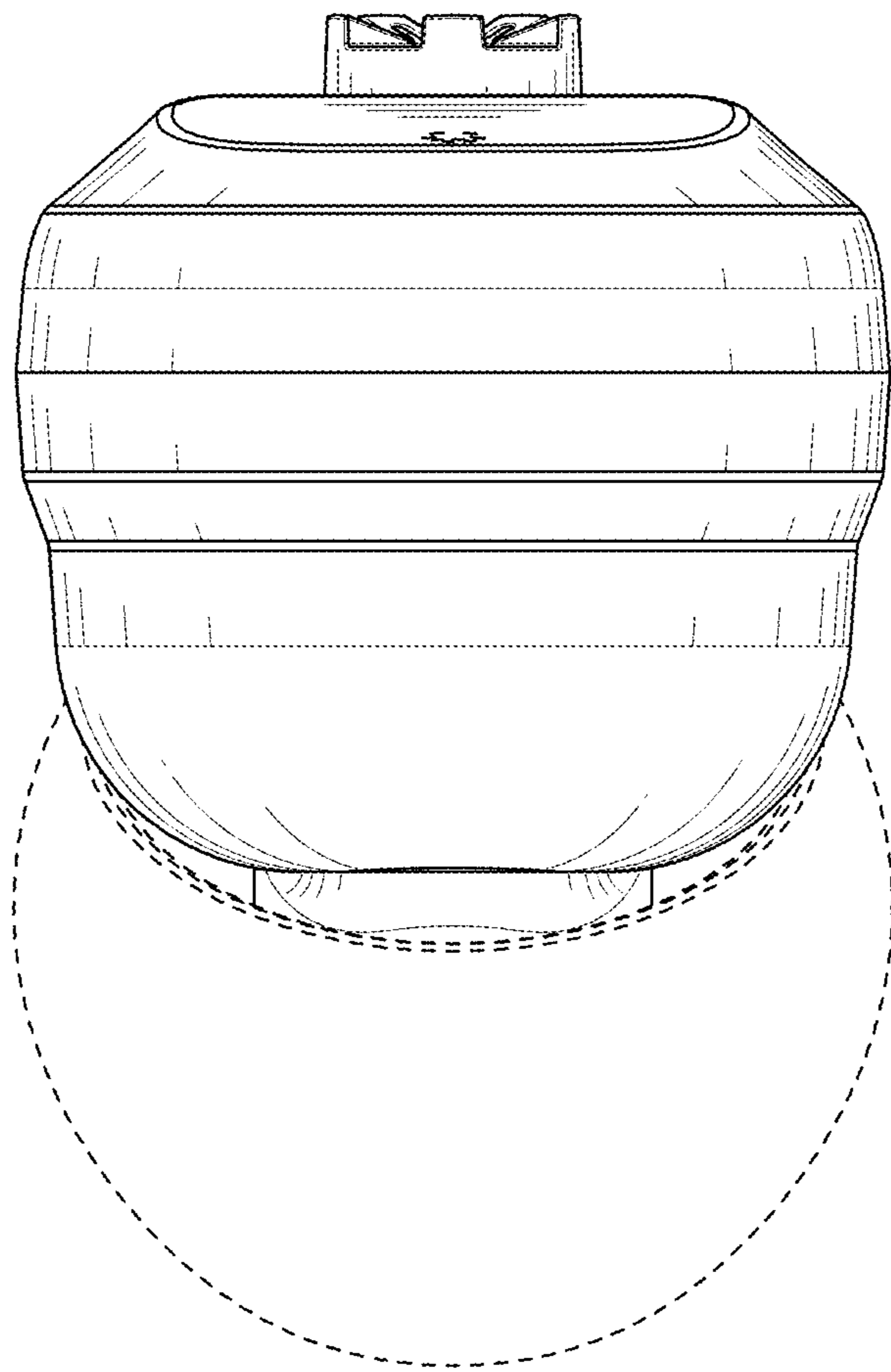


FIG. 7

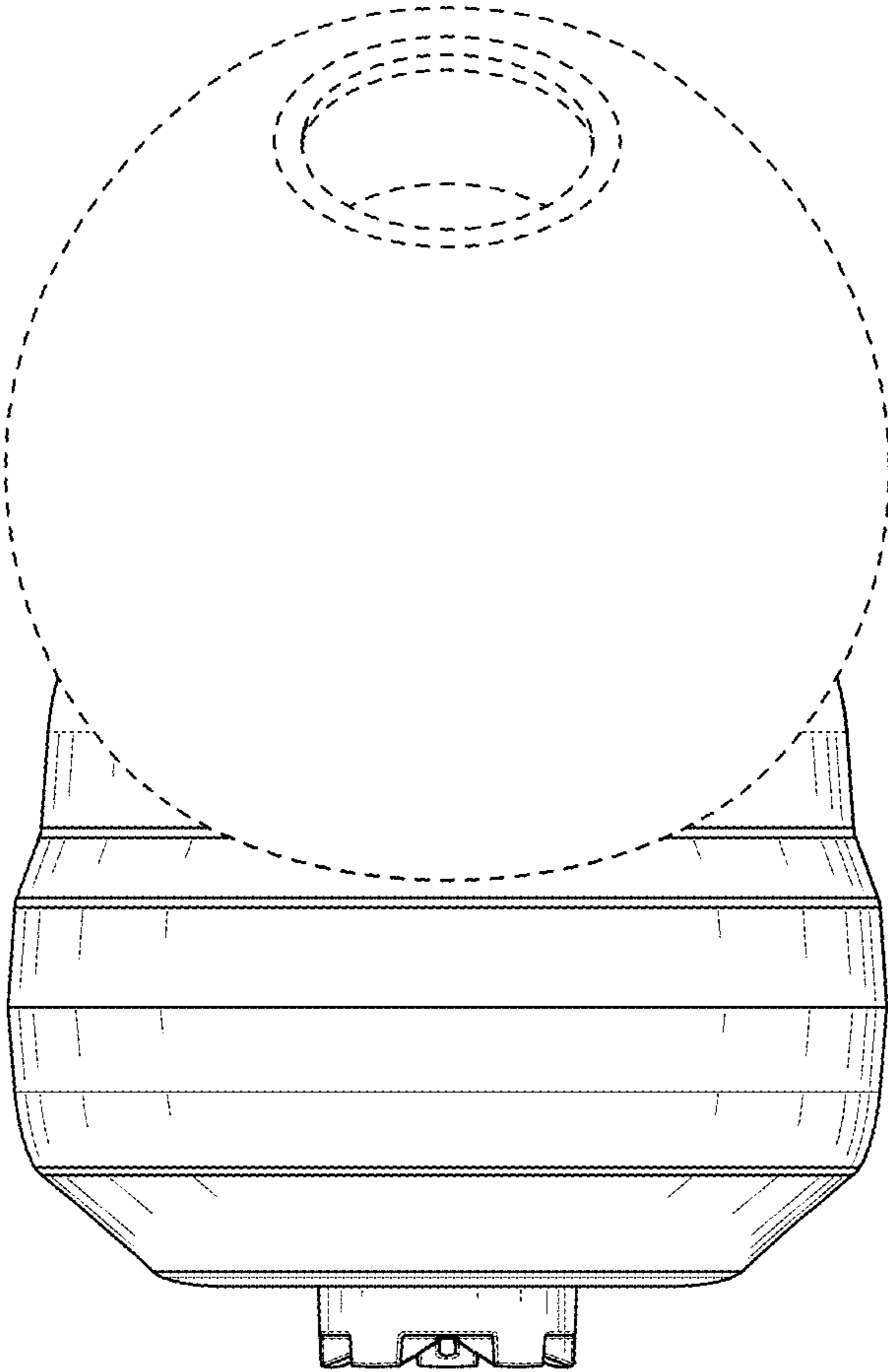


FIG. 8