



US00D975281S

(12) **United States Design Patent** (10) **Patent No.:** **US D975,281 S**  
**Byun** (45) **Date of Patent:** **\*\* Jan. 10, 2023**

(54) **MEDICAL X-RAY APPARATUS** 4,979,196 A \* 12/1990 Lieutaud ..... A61B 6/502  
 378/195  
 (71) Applicants: **DRGEM Corporation**, Gyeonggi-do D323,892 S \* 2/1992 Spoljaric ..... D24/158  
 (KR); **FUJIFILM Corporation**, Tokyo D448,849 S \* 10/2001 Laupper ..... D24/158  
 (JP) D549,339 S \* 8/2007 Wang ..... D24/158  
 D609,811 S \* 2/2010 Yokoyama ..... D24/159  
 D701,959 S \* 4/2014 Johnson ..... D24/158  
 D708,336 S \* 7/2014 Mattiuzzo ..... D24/158  
 D713,036 S \* 9/2014 Sul ..... D24/158  
 (\*\*) Term: **15 Years** D714,940 S \* 10/2014 Kim ..... D24/158  
 D715,940 S \* 10/2014 Li ..... D24/158  
 D728,794 S \* 5/2015 Kim ..... D24/158  
 D748,800 S \* 2/2016 Ohmukai ..... D24/158  
 D752,225 S \* 3/2016 Sul ..... D24/158  
 D767,140 S \* 9/2016 Yao ..... D24/158  
 D767,144 S \* 9/2016 Lin ..... D24/158  
 D779,069 S \* 2/2017 Mattiuzzo ..... D24/158  
 D796,677 S \* 9/2017 Ogura ..... D24/158  
 D799,045 S \* 10/2017 Mattiuzzo ..... D24/158  
 D800,309 S \* 10/2017 Mattiuzzo ..... D24/158  
 D829,913 S \* 10/2018 Kitayama ..... D24/159  
 D839,427 S \* 1/2019 Frenkler ..... D24/158  
 D854,159 S \* 7/2019 Malmen ..... D24/158  
 D872,271 S \* 1/2020 Frenkler ..... D24/158

(80) **Hague Agreement Data**  
 Int. Filing Date: **May 27, 2020**  
 Int. Reg. No.: **DM/209080**  
 Int. Reg. Date: **May 27, 2020**  
 Int. Reg. Pub. Date: **Nov. 27, 2020**

(30) **Foreign Application Priority Data**  
 Nov. 29, 2019 (KR) ..... 30-2019-0057773

(51) **LOC (14) Cl.** ..... **24-01**  
 (52) **U.S. Cl.**  
 USPC ..... **D24/158**

(58) **Field of Classification Search**  
 USPC ..... D24/183, 158, 159, 184, 231  
 CPC ..... A61B 6/4464; A61B 6/502; A61N 5/10  
 See application file for complete search history.

(56) **References Cited**  
 U.S. PATENT DOCUMENTS  
 D161,717 S \* 1/1951 Stava ..... D24/159  
 3,322,950 A \* 5/1967 Bailey ..... A61N 5/10  
 378/65  
 3,373,285 A \* 3/1968 Barrett ..... A61B 6/4464  
 378/194  
 3,609,355 A \* 9/1971 Schwarzer ..... A61B 6/502  
 378/37  
 D273,892 S \* 5/1984 Fenne ..... D24/158

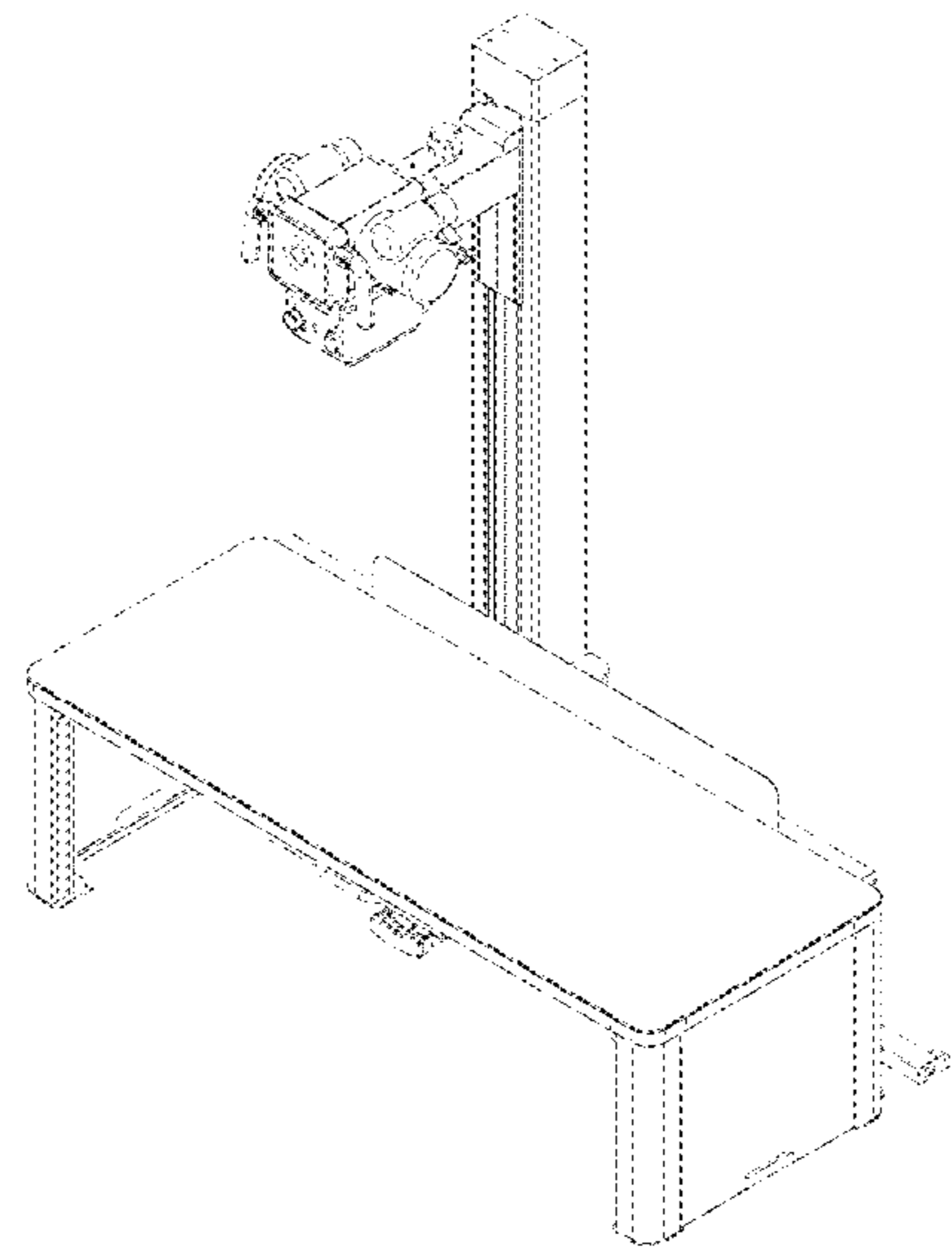
\* cited by examiner  
*Primary Examiner* — Rhea Shields

(57) **CLAIM**  
 The ornamental design for a medical X-ray apparatus, as shown and described.

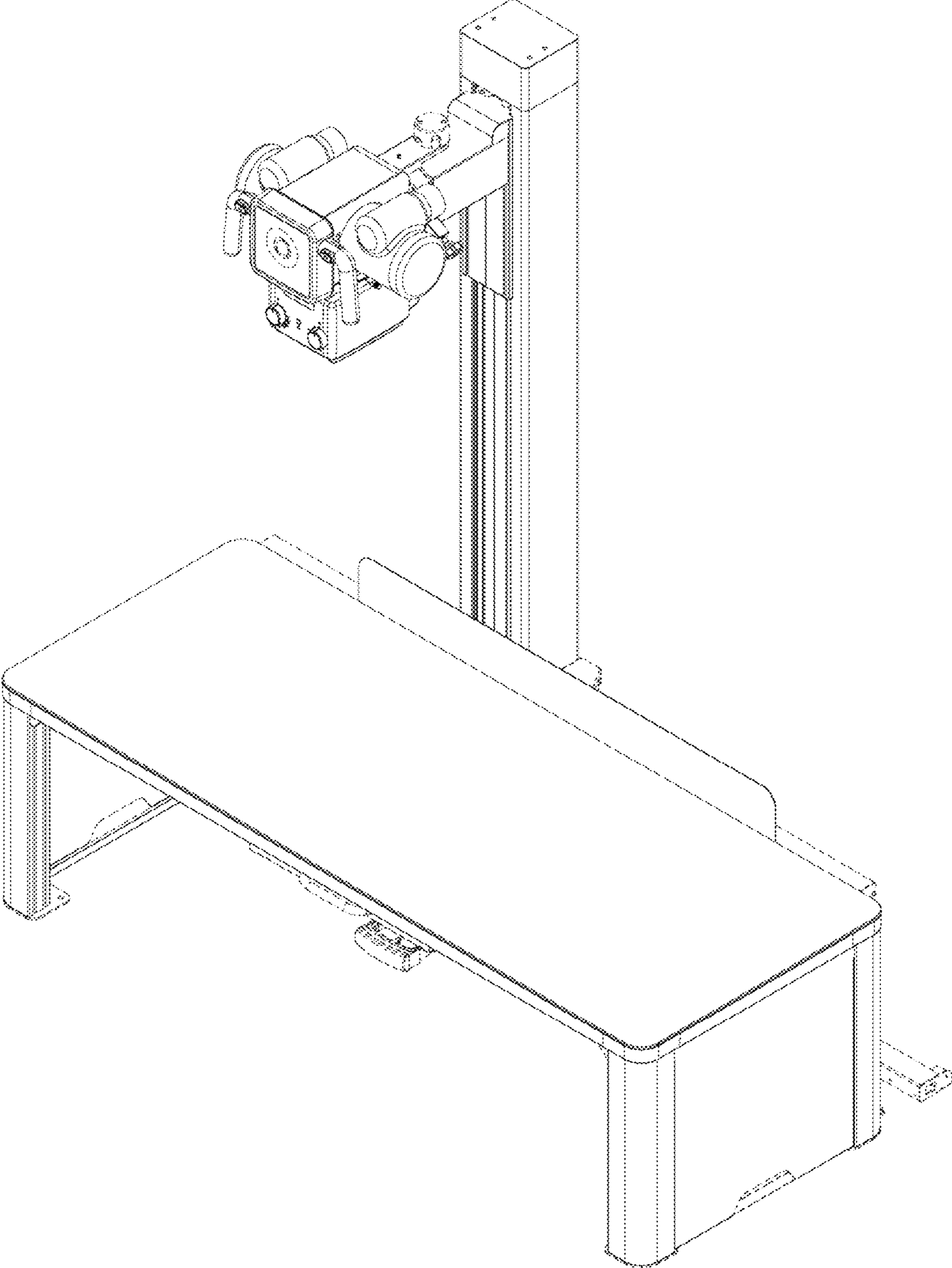
**DESCRIPTION**

1. Medical X-ray apparatus  
 1.1 : Perspective  
 1.2 : Front  
 1.3 : Back  
 1.4 : Top  
 1.5 : Bottom  
 1.6 : Left  
 1.7 : Right

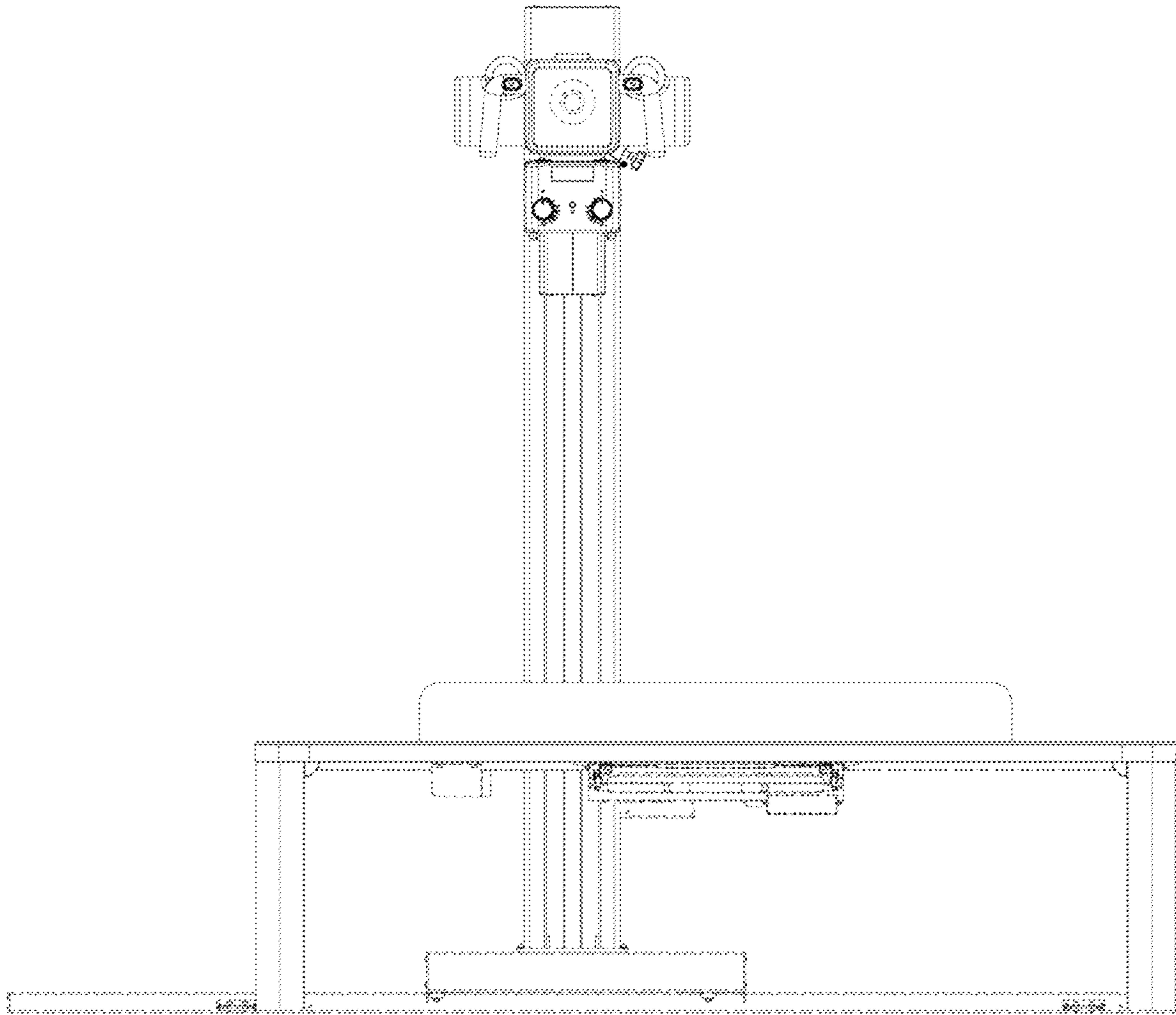
**1 Claim, 7 Drawing Sheets**



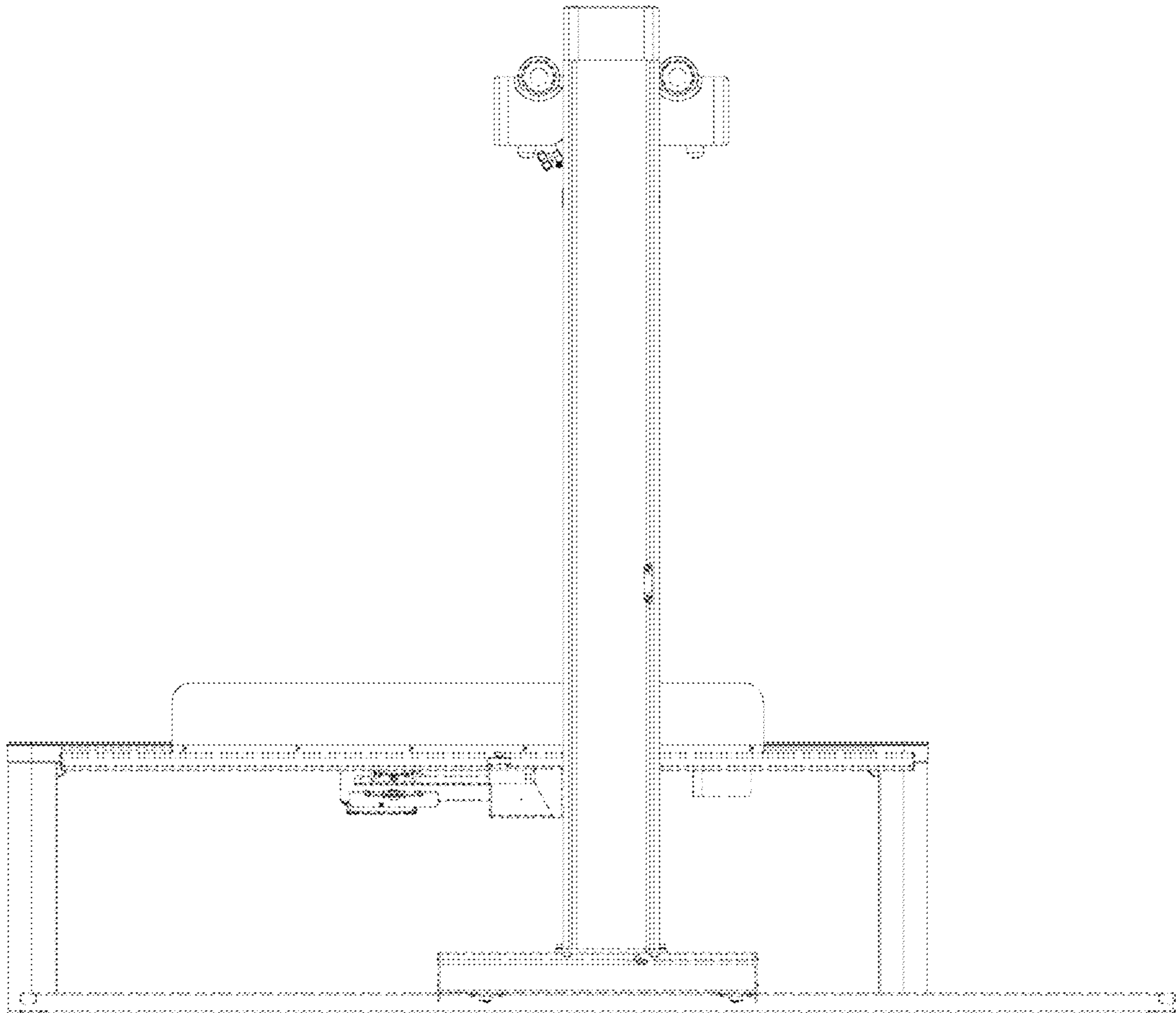
1.1



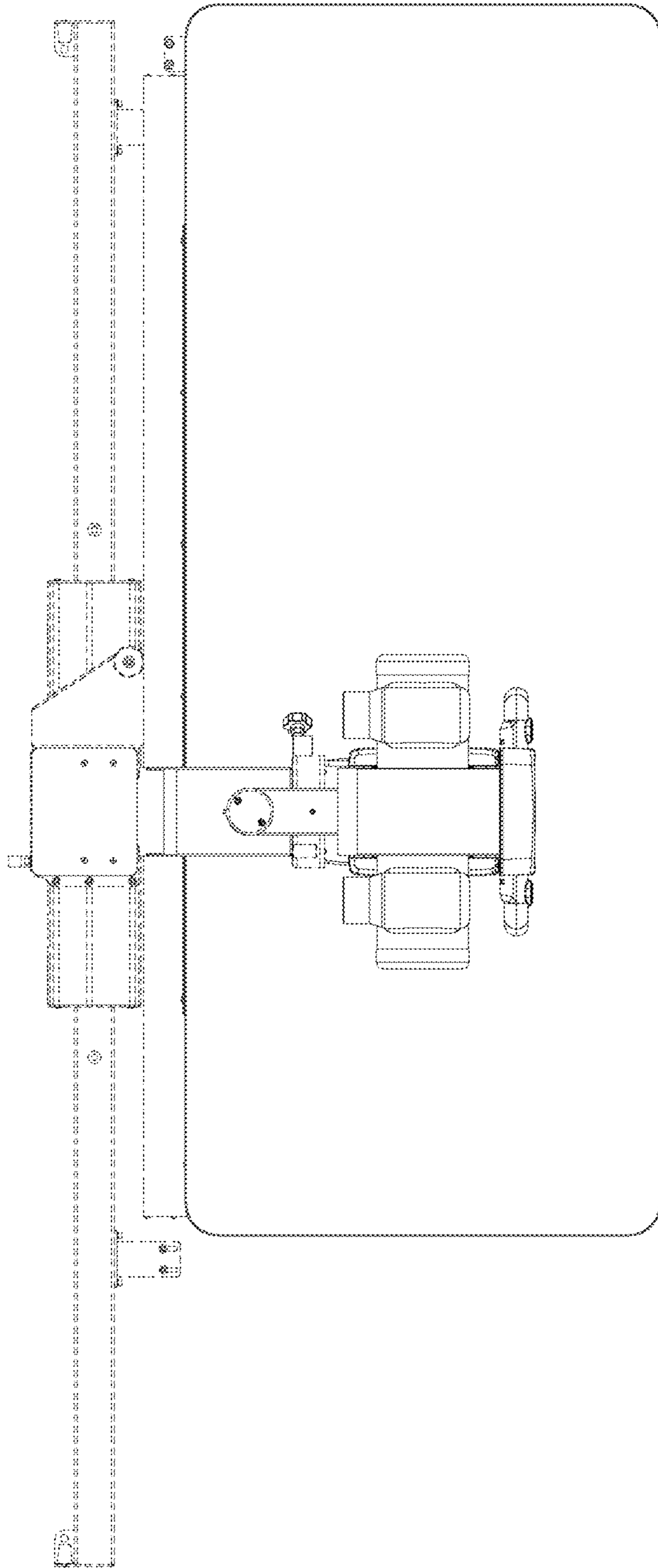
1.2



1.3

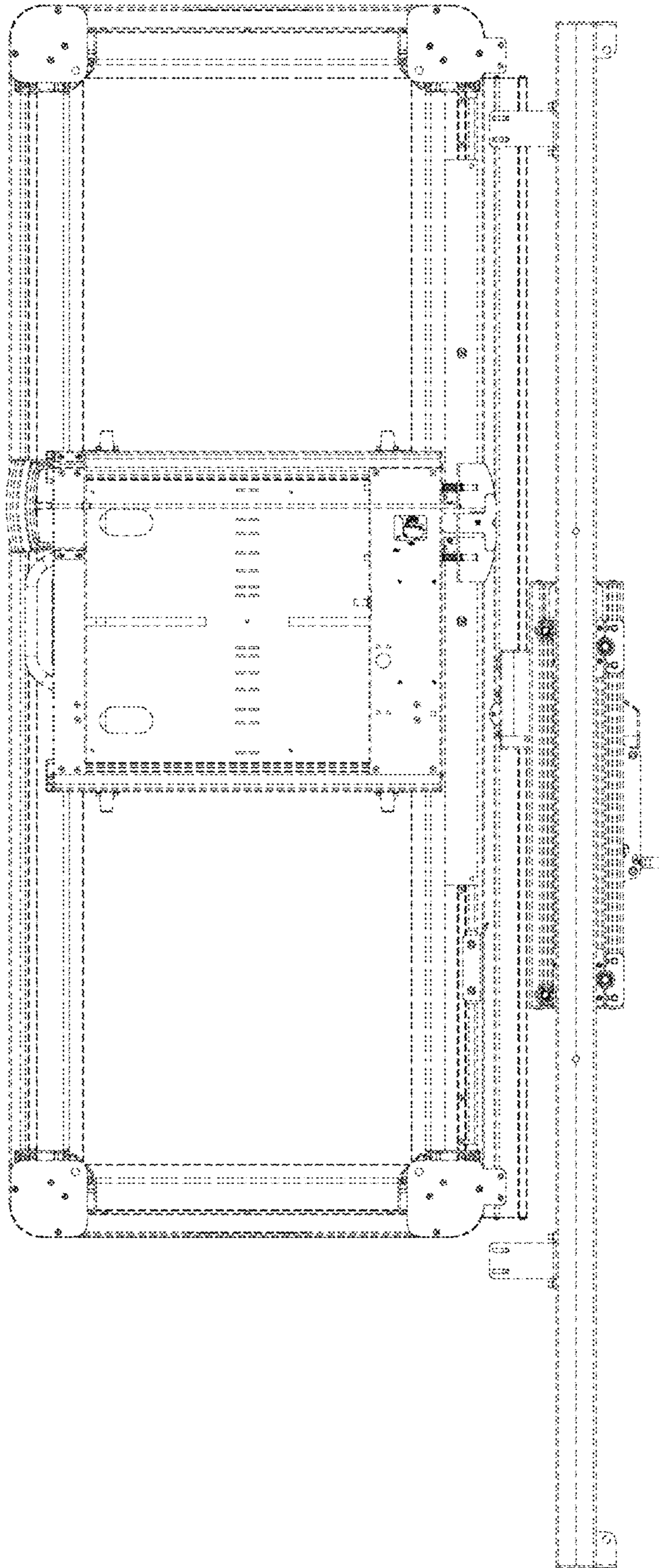


1.4

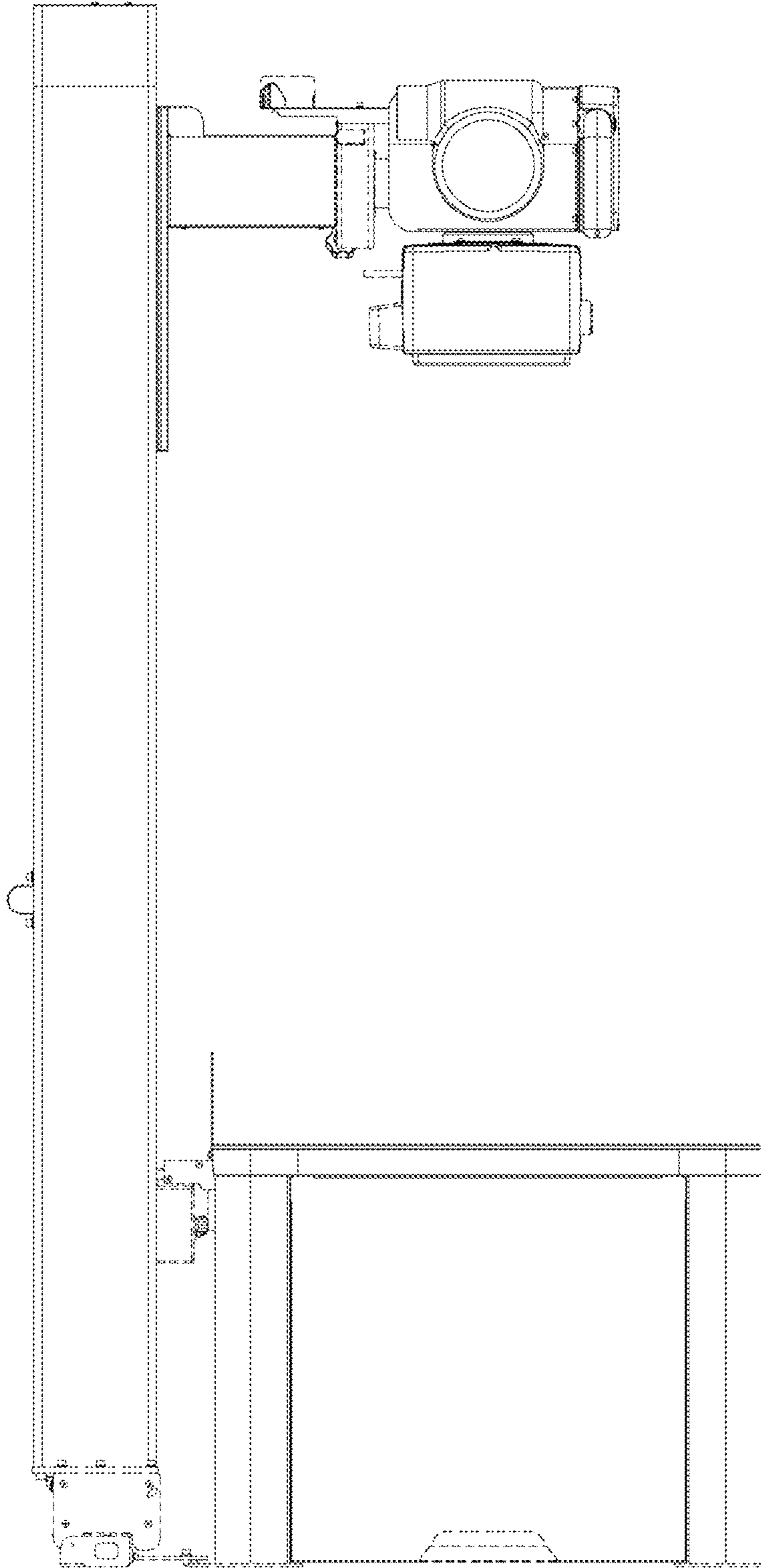




1.5



1.6



1.7

