

US00D975280S

(12) **United States Design Patent**  
**Byun**

(10) **Patent No.:** **US D975,280 S**  
(45) **Date of Patent:** **\*\* Jan. 10, 2023**

(54) **MEDICAL XRAY APPARATUS**  
(71) Applicants: **DRGEM Corporation**, Gyeonggi-do (KR); **FUJIFILM Corporation**, Tokyo (JP)  
(72) Inventor: **Min Soo Byun**, Gyeonggi-do (KR)  
(\*\*) Term: **15 Years**  
(21) Appl. No.: **35/510,816**  
(22) Filed: **May 27, 2020**  
(80) **Hague Agreement Data**  
Int. Filing Date: **May 27, 2020**  
Int. Reg. No.: **DM/209097**  
Int. Reg. Date: **May 27, 2020**  
Int. Reg. Pub. Date: **Nov. 27, 2020**

(30) **Foreign Application Priority Data**  
Nov. 29, 2019 (KR) ..... 30-2019-0057772  
(51) **LOC (14) Cl.** ..... **24-01**  
(52) **U.S. Cl.**  
USPC ..... **D24/158**  
(58) **Field of Classification Search**  
USPC ..... D24/158, 183, 159, 184, 231  
CPC ..... A61B 6/4464; A61B 6/502; A61N 5/10;  
H05G 1/54; H05G 1/44  
See application file for complete search history.

(56) **References Cited**  
U.S. PATENT DOCUMENTS  
2,943,198 A \* 6/1960 Godbarsen, Jr. .... H05G 1/44  
378/172  
3,210,547 A \* 10/1965 Eliot ..... H05G 1/54  
378/117  
3,322,950 A \* 5/1967 Bailey ..... A61N 5/10  
378/65  
D208,284 S \* 8/1967 Waine ..... D24/158

3,373,285 A \* 3/1968 Barrett ..... A61B 6/4464  
378/194  
3,609,355 A \* 9/1971 Schwarzer ..... A61B 6/502  
378/37  
D272,385 S \* 1/1984 Nakano ..... D24/158  
D273,892 S \* 5/1984 Fenne ..... D24/158  
4,979,196 A \* 12/1990 Lieutaud ..... A61B 6/502  
378/195  
D323,892 S \* 2/1992 Spoljaric ..... D24/158  
D417,503 S \* 12/1999 Spoljaric ..... D24/158  
D448,849 S \* 10/2001 Laupper ..... D24/158  
D549,339 S \* 8/2007 Wang ..... D24/158  
D671,217 S \* 11/2012 Moon ..... D24/158  
D690,012 S \* 9/2013 Yanase ..... D24/158  
D701,959 S \* 4/2014 Johnson ..... D24/158  
D708,336 S \* 7/2014 Mattiuzzo ..... D24/158  
D713,036 S \* 9/2014 Sul ..... D24/158  
D714,447 S \* 9/2014 Sul ..... D24/158  
D714,940 S \* 10/2014 Kim ..... D24/158  
D715,940 S \* 10/2014 Li ..... D24/158

(Continued)

Primary Examiner — Rhea Shields

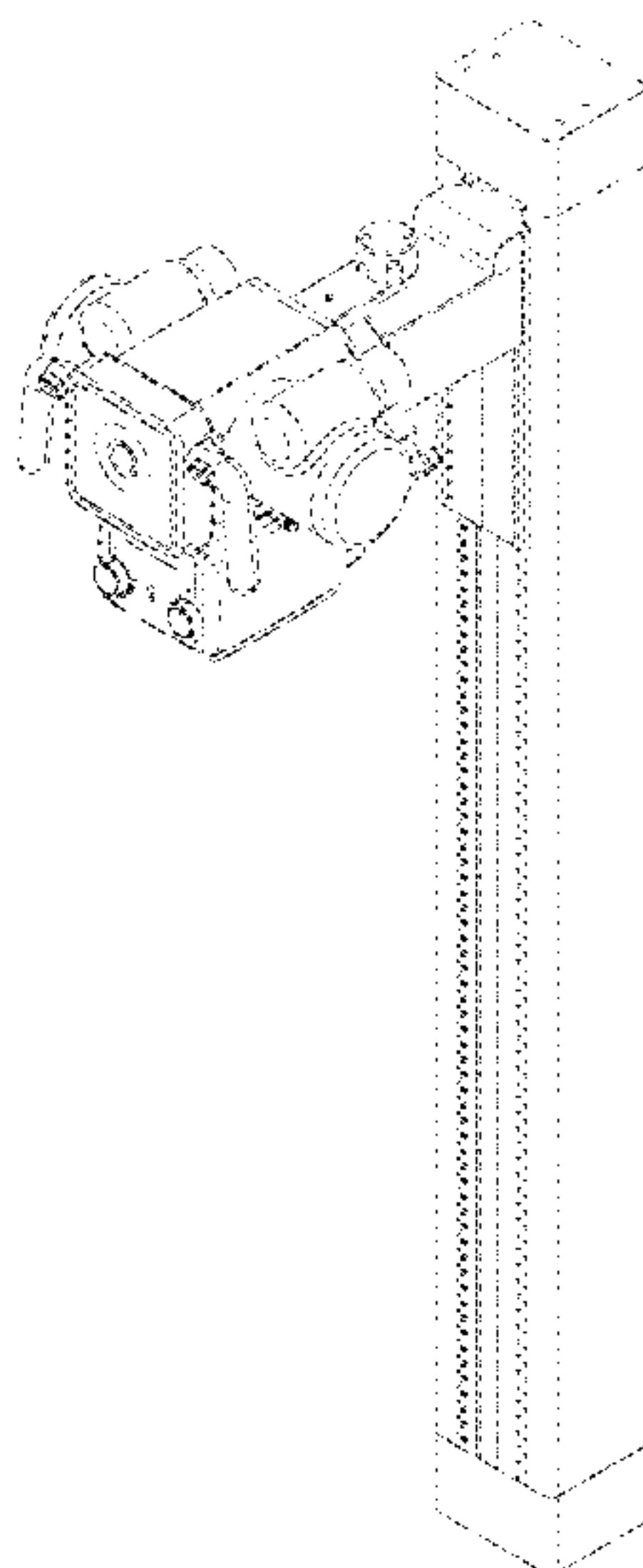
(57) **CLAIM**

The ornamental design for a medical X-ray apparatus, as shown and described.

**DESCRIPTION**

1. Medical X-ray apparatus  
1.1: Perspective  
1.2: Front  
1.3: Back  
1.4: Top  
1.5: Bottom  
1.6: Left  
1.7: Right  
1.8: Perspective view shown in an environment.  
In the reproductions, the broken lines are for the purpose of illustrating portions of the medical X-ray apparatus that forms no part of the claimed design. In 1.8 the broken lines are also for the purpose of showing environment that forms no part of the claimed design.

**1 Claim, 8 Drawing Sheets**



(56)

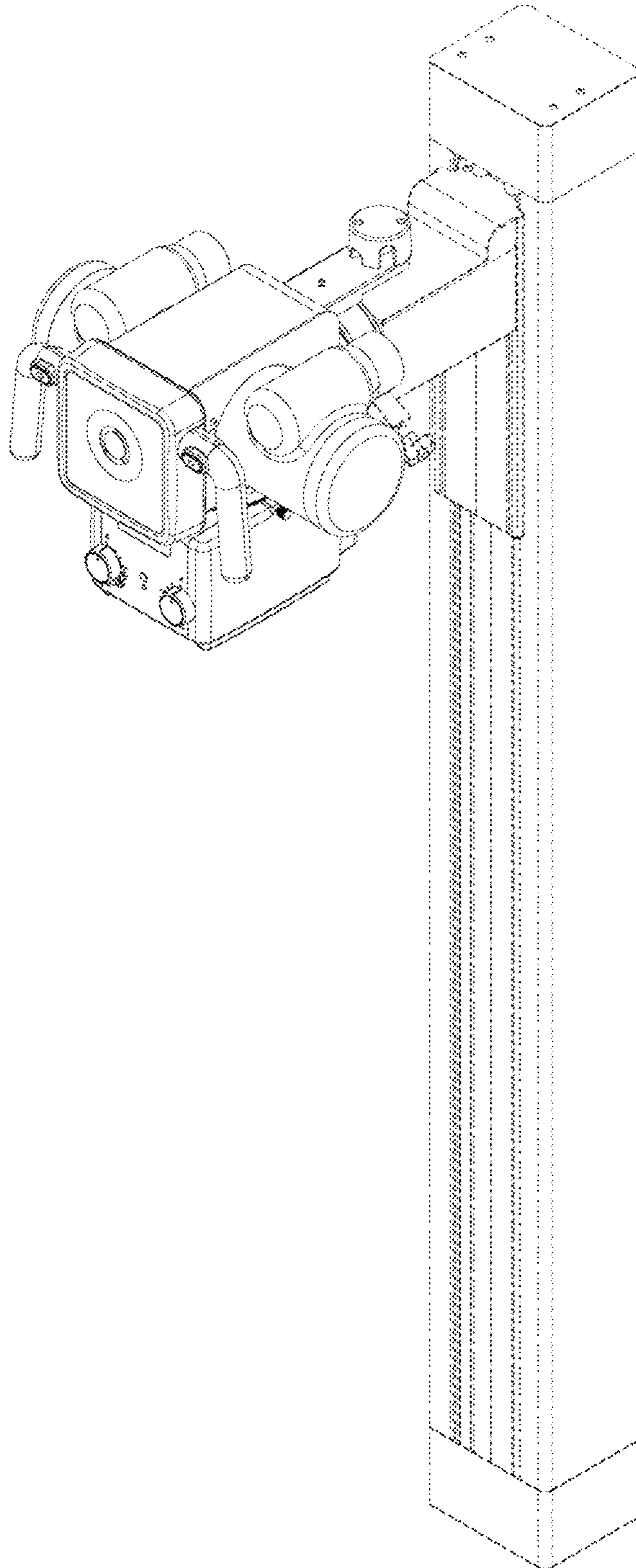
**References Cited**

U.S. PATENT DOCUMENTS

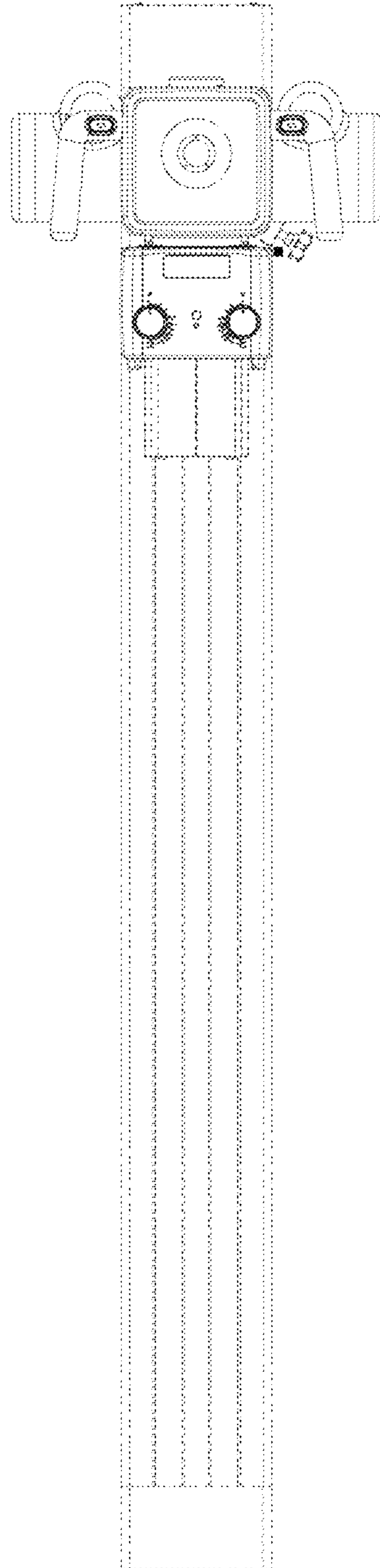
D724,735 S *	3/2015	Harverson .....	D24/158
D728,794 S *	5/2015	Kim .....	D24/158
D748,800 S *	2/2016	Ohmukai .....	D24/158
D752,225 S *	3/2016	Sul .....	D24/158
D767,139 S *	9/2016	Liu .....	D24/158
D767,140 S *	9/2016	Yao .....	D24/158
D767,765 S *	9/2016	Lin .....	D24/158
D779,069 S *	2/2017	Mattiuzzo .....	D24/158
D799,045 S *	10/2017	Mattiuzzo .....	D24/158
D800,309 S *	10/2017	Mattiuzzo .....	D24/158
D839,427 S *	1/2019	Frenkler .....	D24/158
D854,159 S *	7/2019	Malmen .....	D24/158
D872,271 S *	1/2020	Frenkler .....	D24/158

\* cited by examiner

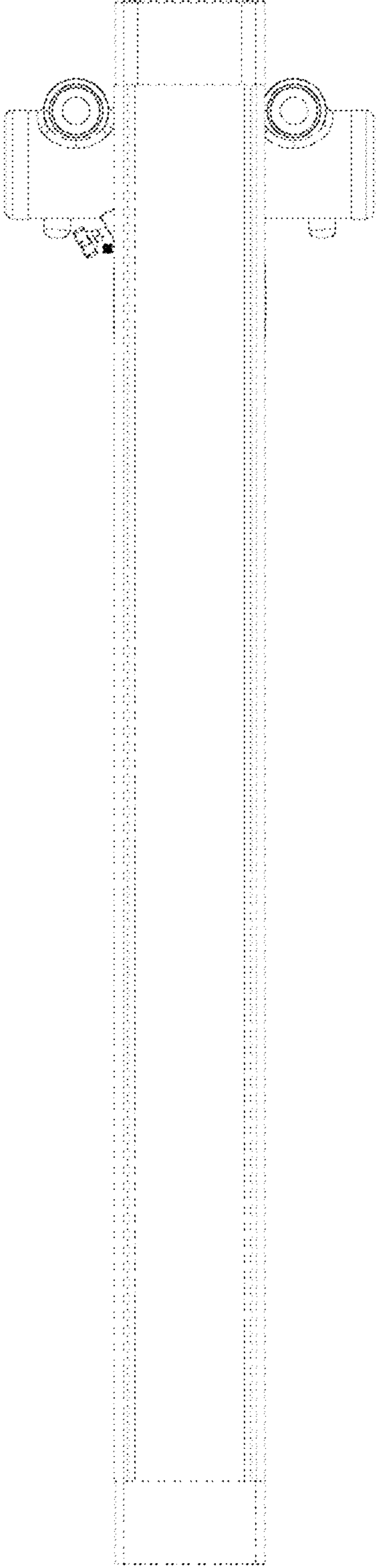
1.1



1.2

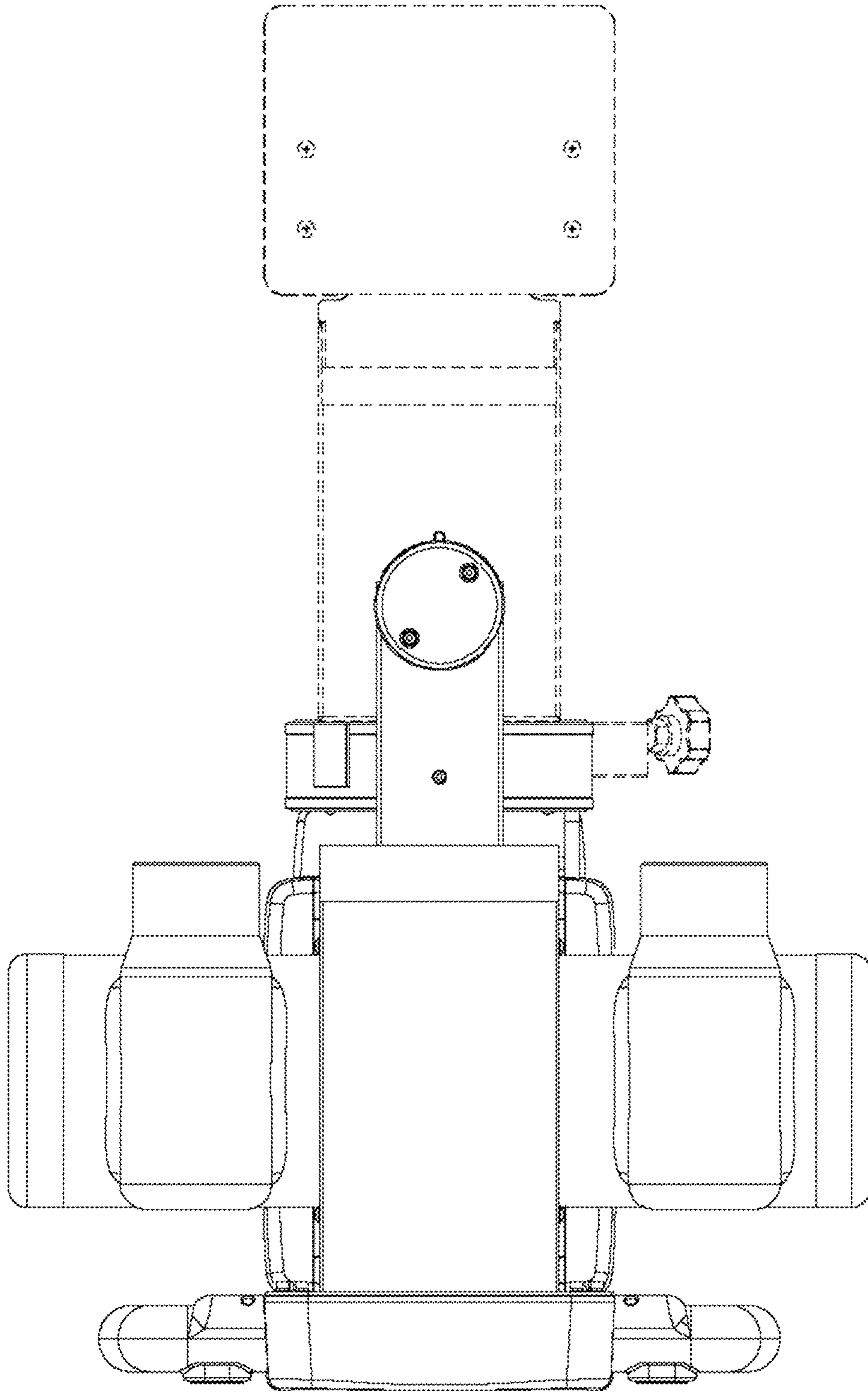


1.3

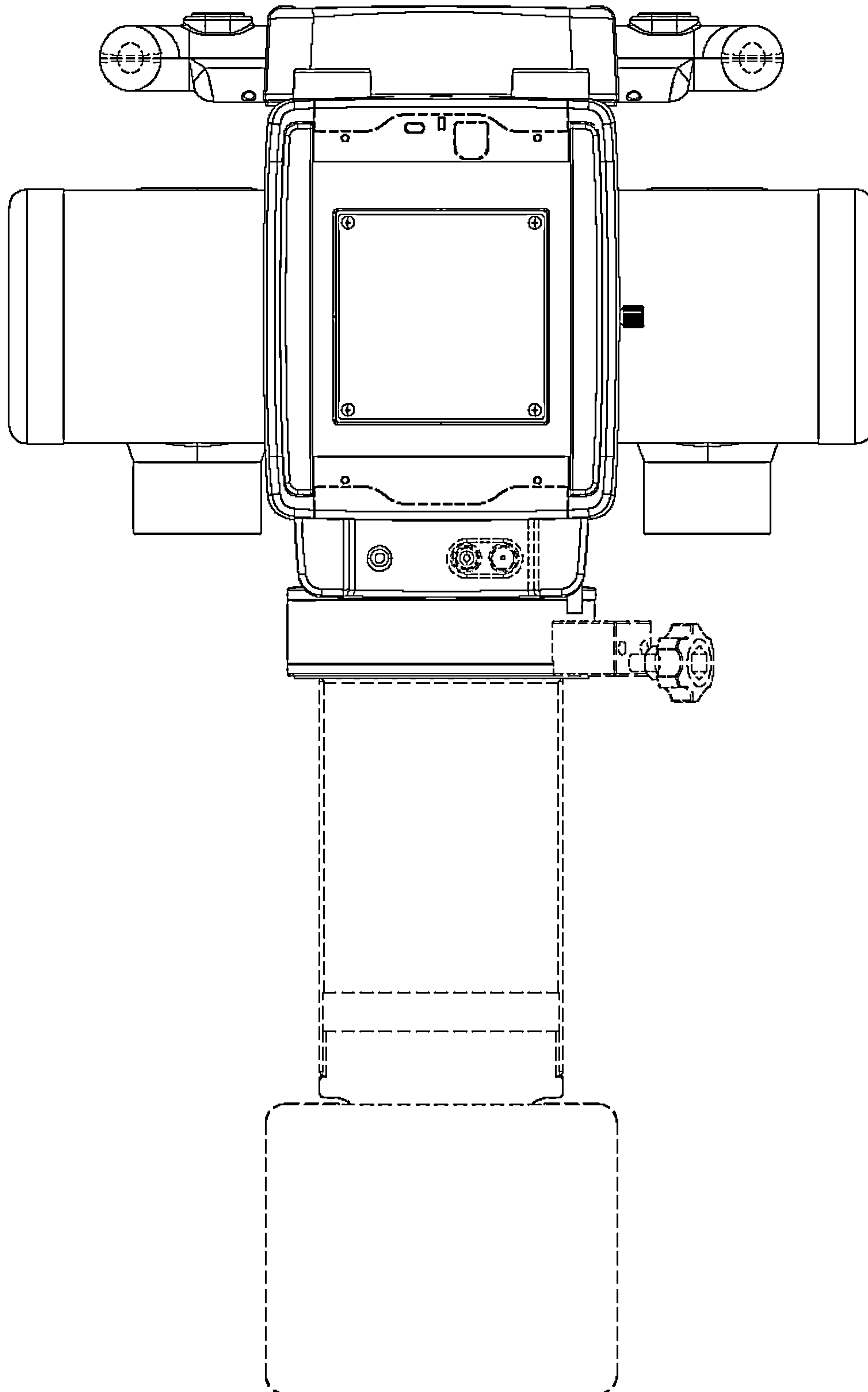




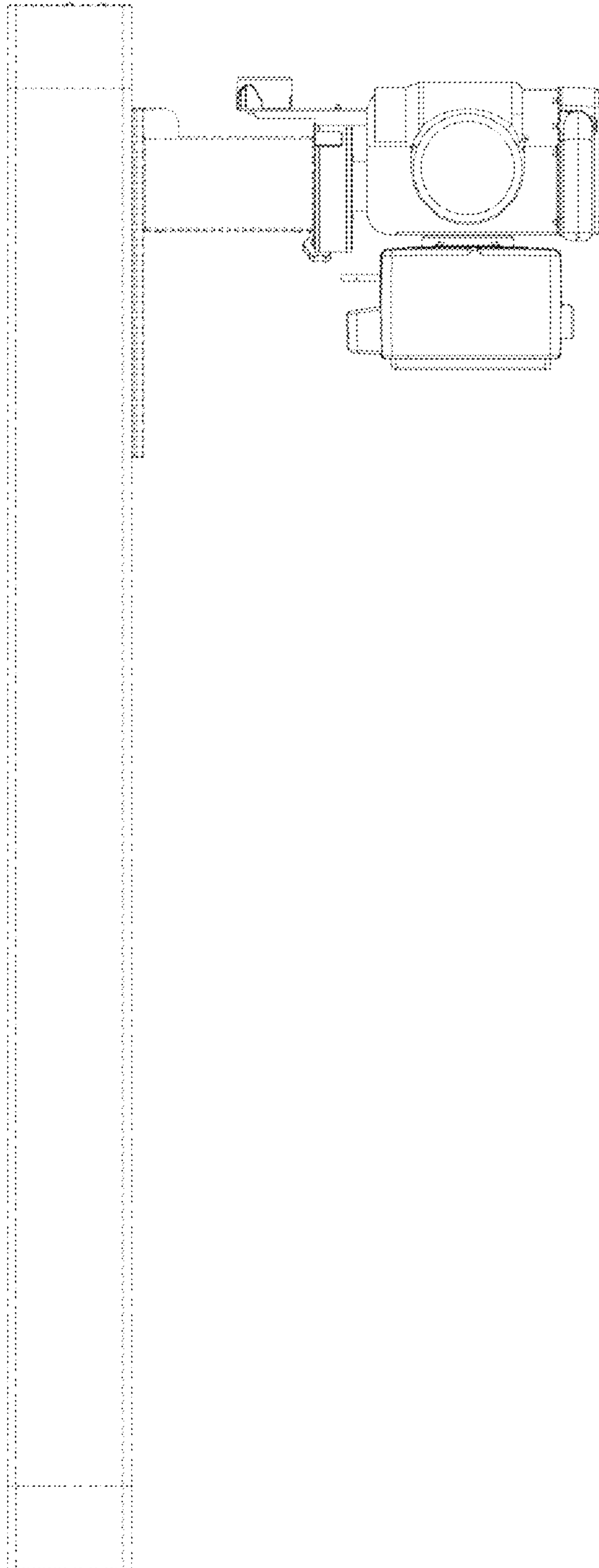
1.4



1.5

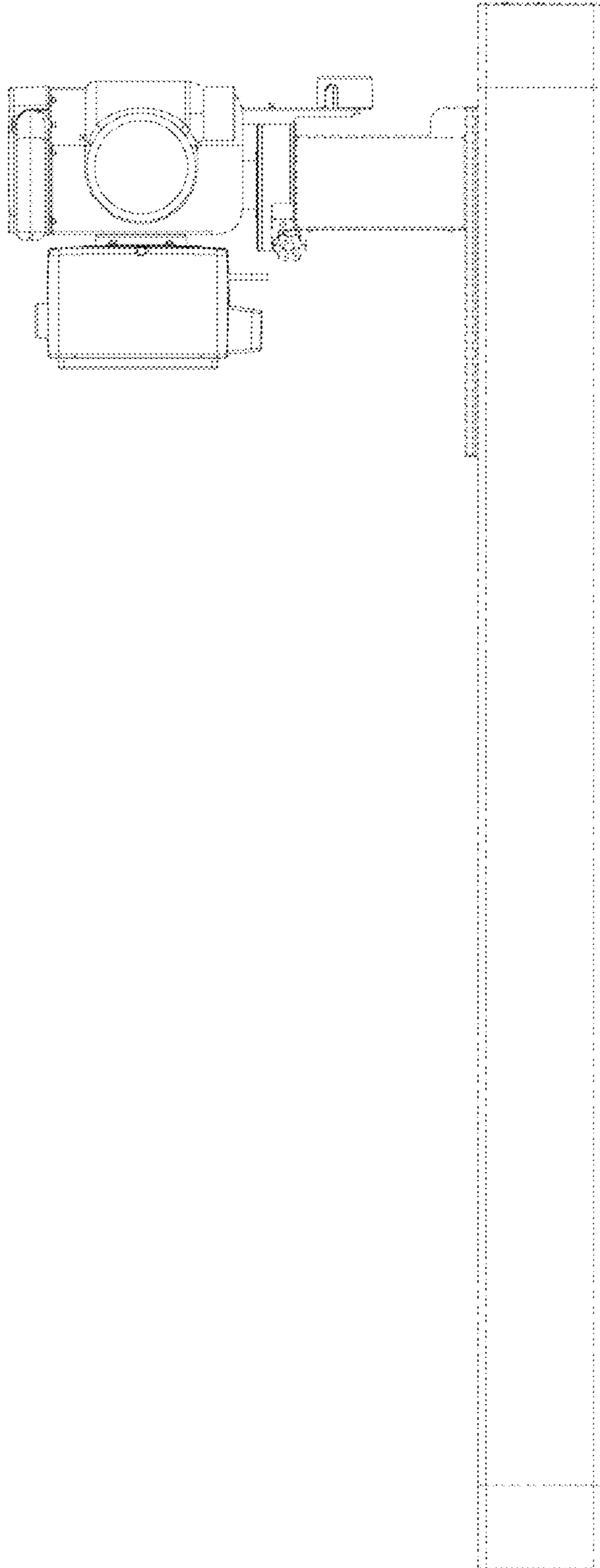


1.6





1.7



1.8

