



US00D975279S

(12) **United States Design Patent**  
**Gustafson**

(10) **Patent No.:** **US D975,279 S**  
(45) **Date of Patent:** **\*\* Jan. 10, 2023**

- (54) **HEARING AID INSERT**
- (71) Applicant: **P&D Gustafson Inventions, LLC**,  
Coweta, OK (US)
- (72) Inventor: **Paul Gustafson**, Coweta, OK (US)
- (73) Assignee: **P&D Gustafson Inventions, LLC**,  
Tulsa, OK (US)
- (\*\*) Term: **15 Years**
- (21) Appl. No.: **29/822,864**
- (22) Filed: **Jan. 12, 2022**
- (51) **LOC (14) Cl.** ..... **24-01**
- (52) **U.S. Cl.**  
USPC ..... **D24/151**
- (58) **Field of Classification Search**  
USPC ..... D24/106, 173, 174, 133, 140, 147, 149,  
D24/151; D25/38.1, 121, 126; D8/14,  
D8/107; D28/65  
CPC ..... H04R 25/00; H04R 25/556; H04R 25/65  
See application file for complete search history.

- D249,014 S \* 8/1978 Groeneveld ..... D8/45
- 4,277,872 A \* 7/1981 Lewis ..... B25B 27/20  
29/229
- D263,253 S \* 3/1982 Reynolds ..... D24/174  
(Continued)

**OTHER PUBLICATIONS**

8 Piece Kit Hearing Aid Cleaning Tools, [site visited Aug. 29, 2022]. Available from Internet. URL: [https://www.amazon.com/Hearing-Cleaning-Earphone-Earbuds-Cleaner/dp/B082GDRP32/ref=sr\\_1\\_4?crid=3VJ6EIMCUQQ0P&keywords=hearing+ai...](https://www.amazon.com/Hearing-Cleaning-Earphone-Earbuds-Cleaner/dp/B082GDRP32/ref=sr_1_4?crid=3VJ6EIMCUQQ0P&keywords=hearing+ai...) (Year: 2019).\*

*Primary Examiner* — T Chase Nelson  
*Assistant Examiner* — Kelly L Gross  
(74) *Attorney, Agent, or Firm* — Crowe & Dunlevy, P.C.

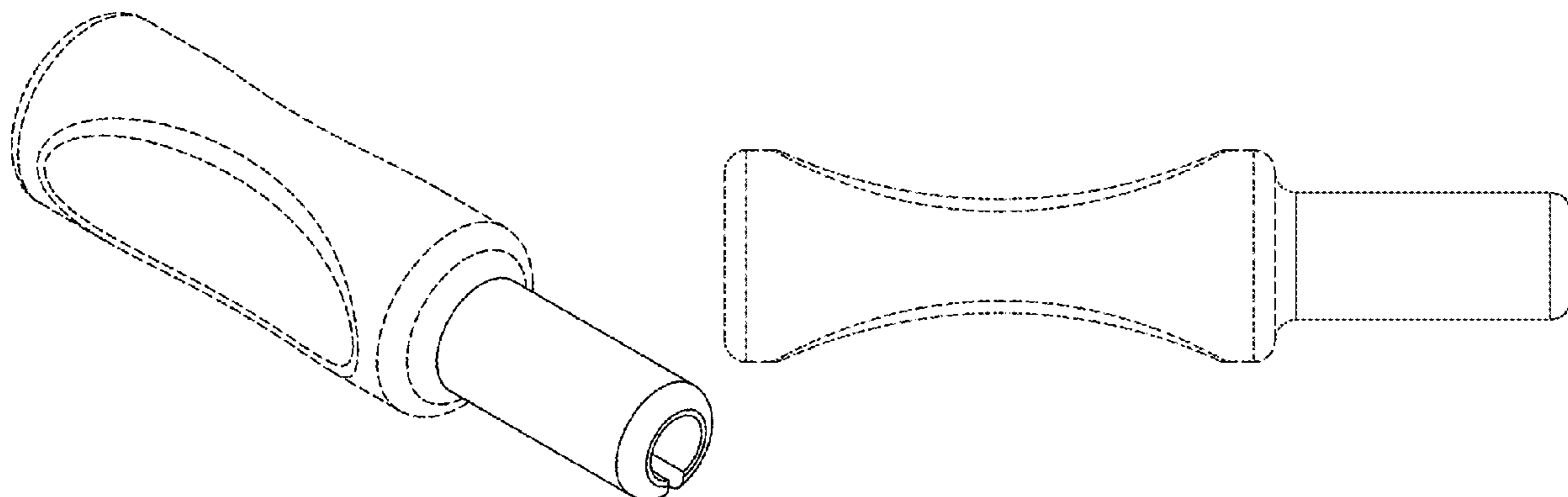
(57) **CLAIM**

The ornamental design for a hearing aid insert, as shown and described.

**DESCRIPTION**

FIG. 1 is a perspective view of a hearing aid insert showing the design;  
FIG. 2 is a top elevation view of the hearing aid insert shown in FIG. 1;  
FIG. 3 is a bottom elevation view of the hearing aid insert shown in FIG. 1;  
FIG. 4 is a side elevation view of the hearing aid insert shown in FIG. 1, with the opposite side elevation view being a mirror image thereof;  
FIG. 5 is a front elevation view of the hearing aid insert shown in FIG. 1;  
FIG. 6 is a rear elevation view of the hearing aid insert shown in FIG. 1; and,  
FIG. 7 is a cross-section view along line 7-7 of the hearing aid insert shown in FIG. 3.  
The broken lines shown in the figures represent portions of the hearing aid insert that form no part of the claimed design.

**1 Claim, 6 Drawing Sheets**



(56)

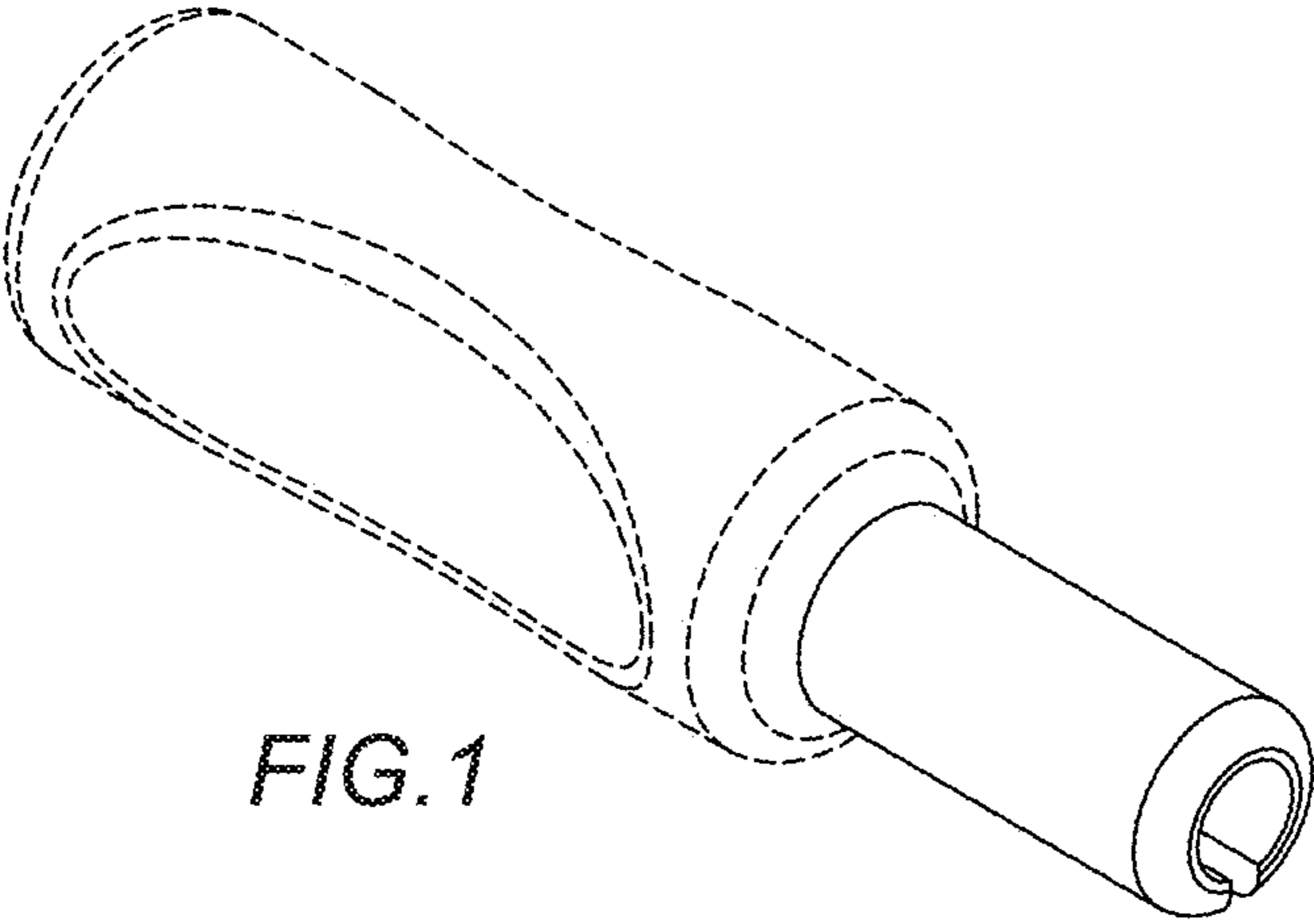
References Cited

U.S. PATENT DOCUMENTS

D263,445 S \* 3/1982 Gordin ..... D8/83  
 D264,824 S \* 6/1982 Sandel ..... D10/71  
 D269,040 S \* 5/1983 Deemer ..... D15/132  
 4,406,282 A \* 9/1983 Parker ..... A61F 11/08  
 128/865  
 D287,631 S \* 1/1987 Anspach, Jr. .... D24/147  
 D293,372 S \* 12/1987 Butt ..... D24/152  
 D295,017 S \* 4/1988 Evenson ..... D8/30  
 D298,006 S \* 10/1988 Cooley ..... D8/14  
 D300,404 S \* 3/1989 Lauer ..... D8/98  
 D300,660 S \* 4/1989 Harada ..... D24/174  
 D324,913 S \* 3/1992 Chojar ..... D24/151  
 D341,884 S \* 11/1993 Cohen ..... D24/140  
 D352,431 S \* 11/1994 Bassett ..... D14/234  
 D371,947 S \* 7/1996 Mellinger ..... D24/146  
 D375,788 S \* 11/1996 Potts ..... D24/129  
 D387,523 S \* 12/1997 Armbruster ..... D32/35  
 D413,379 S \* 8/1999 Leight ..... D24/106  
 D426,305 S \* 6/2000 Hein ..... D24/142  
 D436,402 S \* 1/2001 Borowsky ..... D24/174  
 D438,860 S \* 3/2001 Darbut ..... A61F 11/08  
 D14/226  
 D440,837 S \* 4/2001 Hart ..... D8/75  
 D443,058 S \* 5/2001 Mulhauser ..... D24/147  
 6,299,019 B1 \* 10/2001 Leight ..... A61F 15/001  
 221/265  
 D451,196 S \* 11/2001 Block ..... D24/146  
 6,511,470 B1 \* 1/2003 Hamilton ..... A61M 25/09041  
 604/528  
 D470,240 S \* 2/2003 Niedbala ..... D24/223  
 D474,271 S \* 5/2003 Iori ..... D24/119  
 D496,722 S \* 9/2004 Falco ..... A61F 11/08  
 D24/106  
 D518,178 S \* 3/2006 Christiansen ..... D24/147  
 D527,456 S \* 8/2006 de Vries ..... D24/133  
 D550,201 S \* 9/2007 Drambarean ..... D14/223  
 D550,655 S \* 9/2007 Falco ..... A61F 11/08  
 D14/223  
 D569,517 S \* 5/2008 Wilkinson ..... D24/146  
 D569,975 S \* 5/2008 Wilkinson ..... D24/146  
 D578,639 S \* 10/2008 Falco ..... A61F 11/08  
 D24/106  
 D585,550 S \* 1/2009 Katsura ..... D24/147  
 D585,987 S \* 2/2009 Aparici ..... D24/133  
 7,555,135 B1 \* 6/2009 Harb ..... H04R 25/00  
 381/322  
 D601,241 S \* 9/2009 Svean ..... D24/106  
 D601,691 S \* 10/2009 Butler ..... D24/106  
 D619,251 S \* 7/2010 Justiniano-Garcia .....  
 A61B 17/32053  
 D24/147  
 D624,181 S \* 9/2010 Harata ..... D24/129

D624,653 S \* 9/2010 Boillat ..... D24/146  
 D650,062 S \* 12/2011 Butler ..... D24/106  
 D654,591 S \* 2/2012 Gunnensen ..... D24/174  
 D674,490 S \* 1/2013 Bailey ..... D24/174  
 8,355,519 B2 \* 1/2013 Gommel ..... H04R 25/60  
 381/325  
 8,693,719 B2 \* 4/2014 Higgins ..... H04R 25/554  
 381/328  
 D709,609 S \* 7/2014 Hatfield ..... A61F 11/08  
 D24/106  
 D718,440 S \* 11/2014 Besse ..... D24/133  
 D722,166 S \* 2/2015 Buehl ..... D24/174  
 D727,117 S \* 4/2015 Moreau ..... B25B 15/02  
 D8/14  
 D728,107 S \* 4/2015 Torres Martin ..... D24/174  
 D741,485 S \* 10/2015 Gerhardt ..... D24/147  
 9,161,142 B1 \* 10/2015 Wagner ..... H04R 25/65  
 D748,780 S \* 2/2016 Zhang ..... D24/133  
 D748,781 S \* 2/2016 Zhang ..... D24/133  
 D748,782 S \* 2/2016 Zhang ..... D24/133  
 D763,448 S \* 8/2016 Cho ..... D24/152  
 D772,204 S \* 11/2016 Tsou ..... D14/223  
 10,075,792 B2 \* 9/2018 Szmanda ..... B25B 13/50  
 D853,350 S \* 7/2019 Lindén ..... D14/223  
 D854,148 S \* 7/2019 Prinz ..... D24/133  
 D884,174 S \* 5/2020 Orion ..... D24/147  
 D887,557 S \* 6/2020 Szmanda ..... D24/174  
 D893,027 S \* 8/2020 Peters ..... D24/140  
 D901,681 S \* 11/2020 Konkle ..... D24/133  
 10,993,054 B2 \* 4/2021 Higgins ..... H04R 25/654  
 D919,079 S \* 5/2021 Mann ..... D24/106  
 D938,589 S \* 12/2021 Little ..... D24/151  
 11,240,615 B2 \* 2/2022 Szmanda ..... H04R 25/656  
 D955,574 S \* 6/2022 Peters ..... D24/140  
 D958,617 S \* 7/2022 Lenorr ..... D8/14  
 2008/0116003 A1 \* 5/2008 Suyama ..... B29C 39/405  
 181/135  
 2009/0095307 A1 \* 4/2009 Topholm ..... H04R 25/652  
 128/864  
 2009/0285428 A1 \* 11/2009 Gilgert ..... H04R 25/00  
 381/329  
 2010/0142739 A1 \* 6/2010 Schindler ..... H04R 25/00  
 381/329  
 2011/0009877 A1 \* 1/2011 Thenuwara ..... A61N 1/0541  
 606/129  
 2011/0206225 A1 \* 8/2011 Moller ..... H04R 25/556  
 381/329  
 2012/0087526 A1 \* 4/2012 Higgins ..... H04R 25/554  
 381/328  
 2012/0217087 A1 \* 8/2012 Ambrose ..... H04R 1/1016  
 181/130  
 2013/0223666 A1 \* 8/2013 Michel ..... H04R 25/00  
 381/329  
 2016/0286324 A1 \* 9/2016 van den Berg ..... H04R 25/65

\* cited by examiner



*FIG. 1*

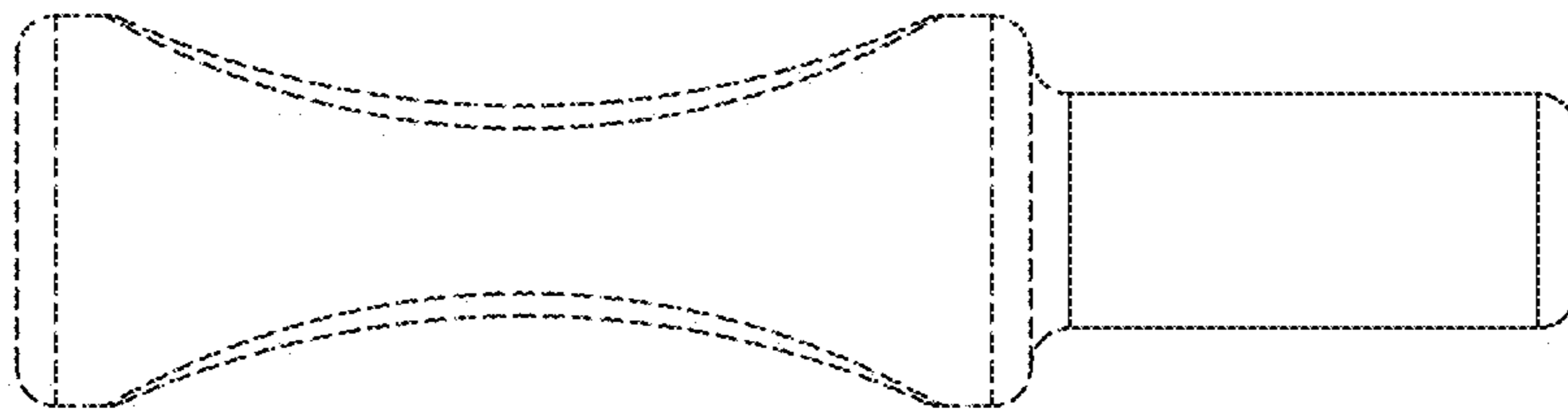


FIG. 2

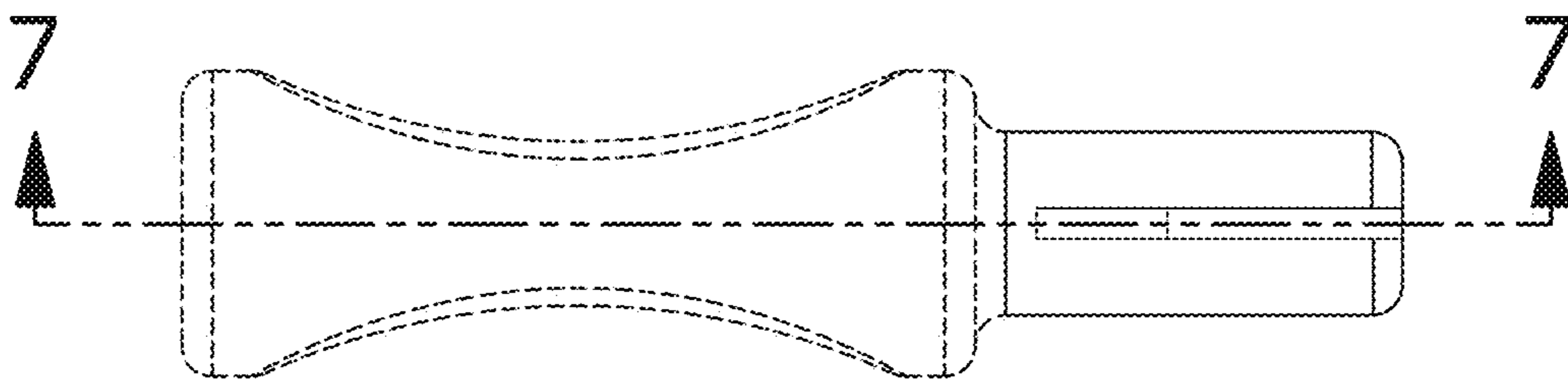


FIG. 3

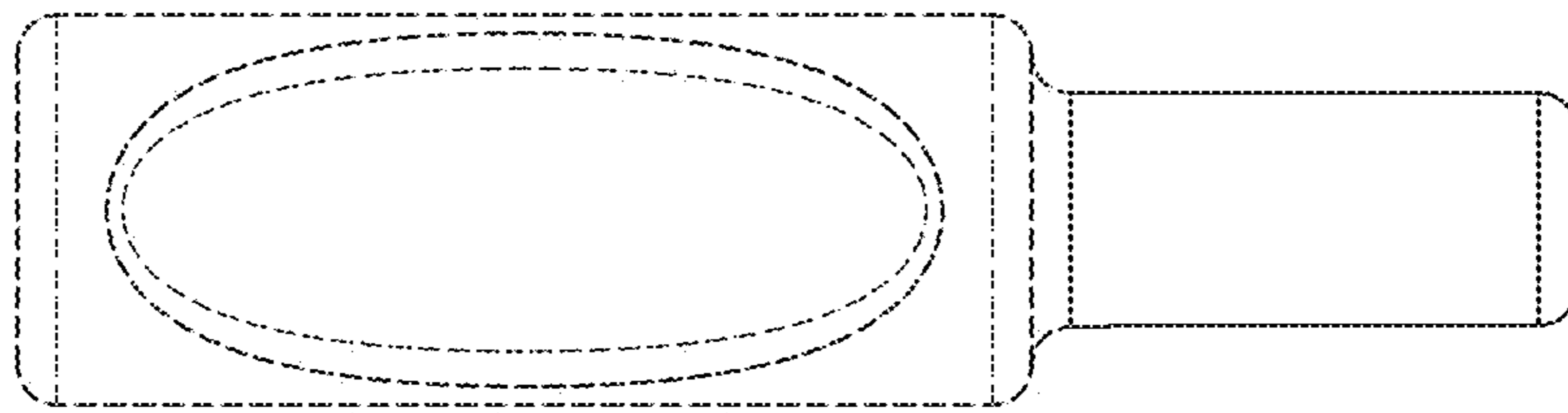
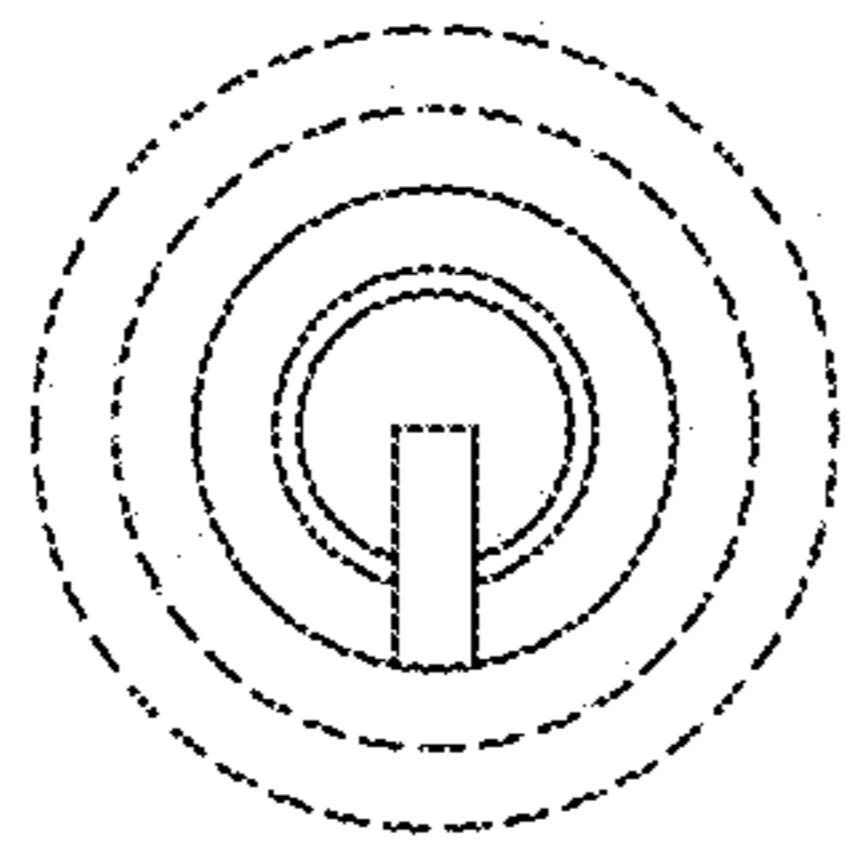
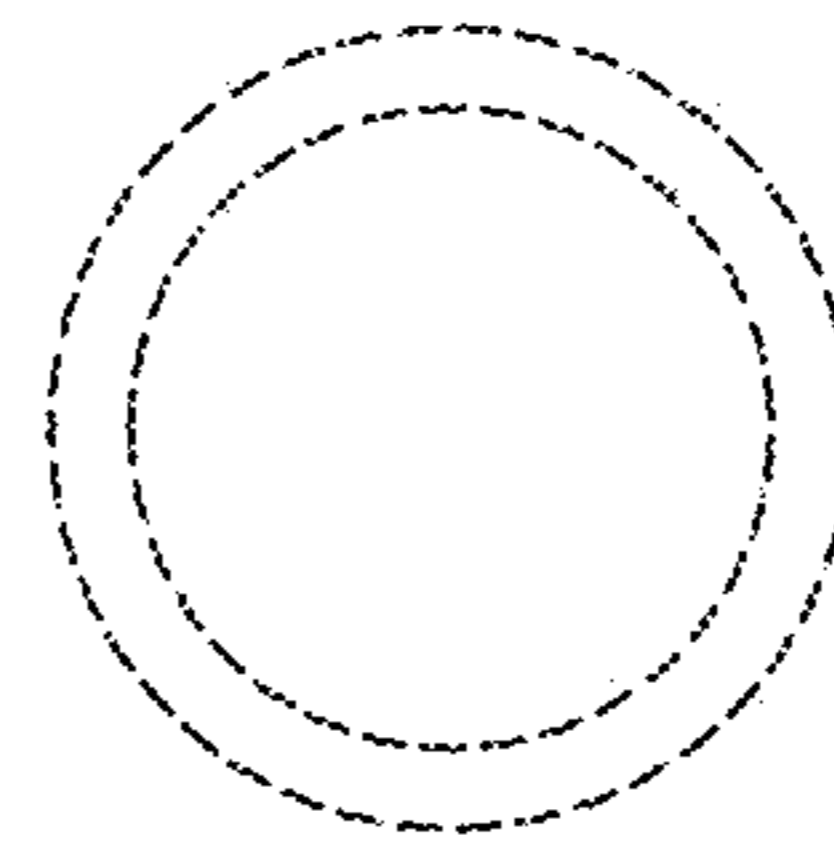


FIG. 4



*FIG. 5*



*FIG. 6*

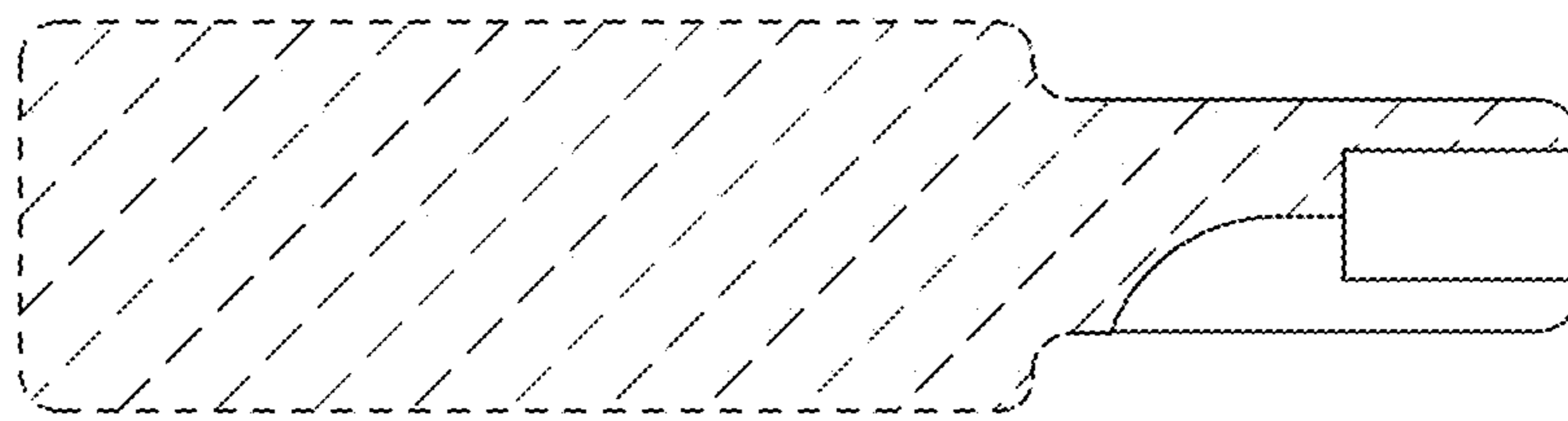


FIG. 7