



US00D975277S

(12) **United States Design Patent**
Miles et al.

(10) **Patent No.:** **US D975,277 S**
(45) **Date of Patent:** **** Jan. 10, 2023**

(54) **TOURNIQUET DEVICE**

(71) Applicant: **Precision Trauma, LLC**, Fortson, GA (US)

(72) Inventors: **Ethan Miles**, Columbus, GA (US); **Jeff Cain**, McKinney, TX (US); **Peter Shull**, Fortson, GA (US)

(73) Assignee: **PRECISION TRAUMA, LLC**, Fortson, GA (US)

(**) Term: **15 Years**

(21) Appl. No.: **29/757,421**

(22) Filed: **Nov. 5, 2020**

(51) **LOC (14) Cl.** **24-02**

(52) **U.S. Cl.**
USPC **D24/143**

(58) **Field of Classification Search**
USPC D24/107, 133, 143, 145, 169; D8/72, 74, D8/394, 398
CPC A61B 17/132; A61B 17/12; A61B 2017/12004; A61B 17/1327; A61B 17/1325

See application file for complete search history.

(56) **References Cited**

U.S. PATENT DOCUMENTS

- 1,299,860 A * 4/1919 Plummer A61B 17/1327
606/203
- 1,824,516 A 9/1931 Tyvand
- 4,036,229 A 7/1977 Marinello
- D282,715 S * 2/1986 Manning D8/74
- D336,335 S * 6/1993 Poulsen A61B 17/132
D24/146
- D337,639 S * 7/1993 Beckman F16B 2/04
D24/142
- D352,356 S * 11/1994 Hirshowitz D24/143
- D375,238 S * 11/1996 Colley A61B 17/1327
D8/72
- 6,068,646 A 5/2000 Lam

- D433,753 S * 11/2000 Weiss D24/133
- D447,229 S * 8/2001 Falk D24/114
- D449,379 S * 10/2001 Fuhr D24/142

(Continued)

FOREIGN PATENT DOCUMENTS

- CN 204410905 U 6/2015
- GB 203281 9/1923

(Continued)

OTHER PUBLICATIONS

[Partnership with Veterans Brings New Medical Devices to Prehospital Settings], labblog.uofmhealth.org, by [Kylie Urban], Published: [Nov. 10, 2020] [online], site visited: [May 18, 2022], URL: <https://labblog.uofmhealth.org/industry-dx/partnership-veterans-brings-new-medical-devices-to-prehospital-settings>. (Year: 2020).*

(Continued)

Primary Examiner — Jonathan J Han
Assistant Examiner — Amanda J Berlinski
(74) *Attorney, Agent, or Firm* — Eversheds Sutherland (US) LLP

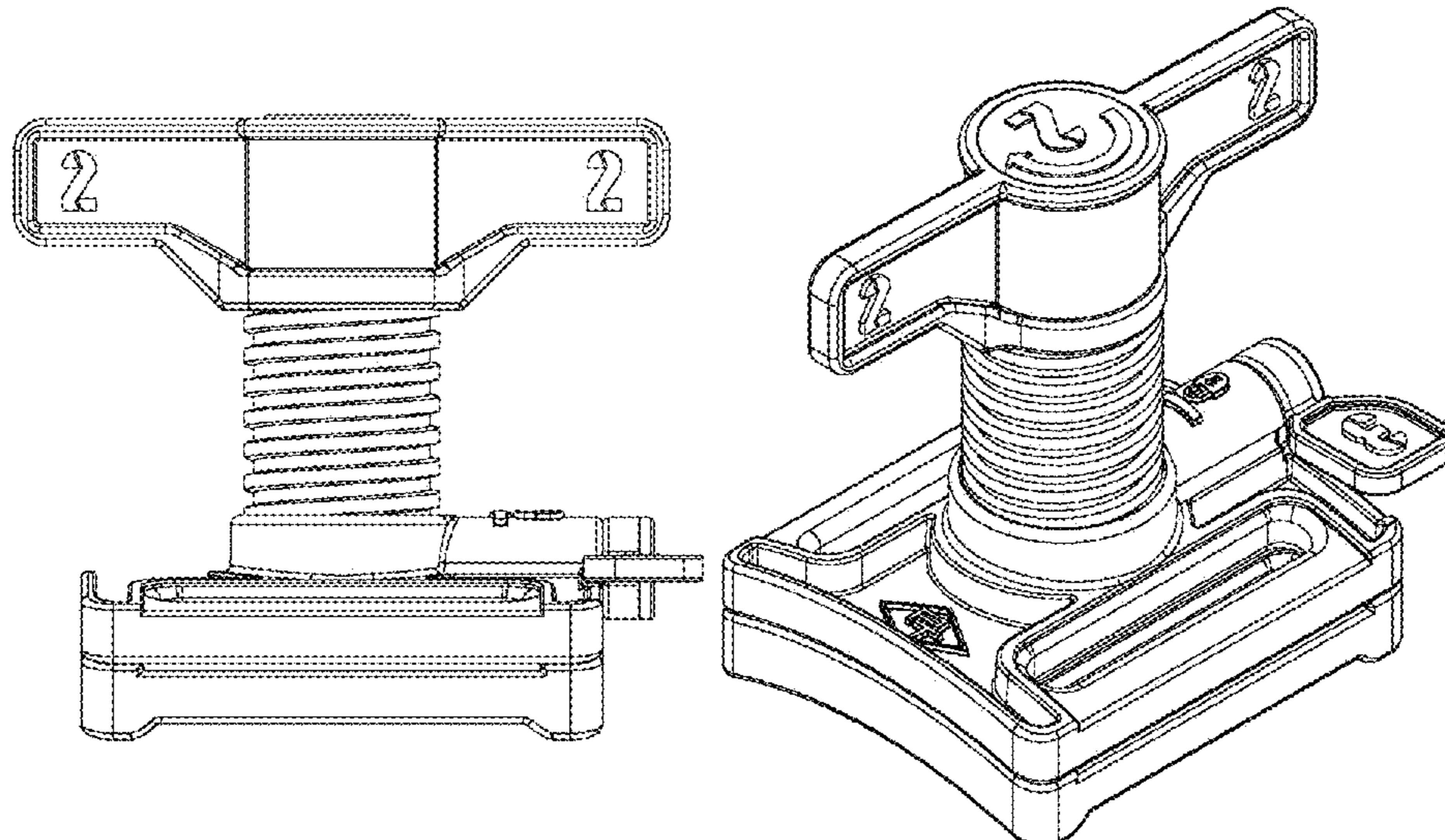
(57) **CLAIM**

The ornamental design for a tourniquet device, as shown and described.

DESCRIPTION

FIG. 1 is a perspective view of the tourniquet device shown from the top and right side;
FIG. 2 is a front view thereof;
FIG. 3 is a right side view thereof;
FIG. 4 is a left side view thereof;
FIG. 5 is a top view thereof; and,
FIG. 6 is a perspective view thereof shown from the top and left side.

1 Claim, 6 Drawing Sheets



(56)

References Cited

U.S. PATENT DOCUMENTS

D454,479 S * 3/2002 Kolpin D8/355
D679,019 S * 3/2013 Siddle D24/169
D766,075 S * 9/2016 Milbank D8/394
D823,466 S * 7/2018 Marogil D24/169
10,695,071 B2 6/2020 Ward et al.
2010/0280541 A1* 11/2010 Lampropoulos A61B 17/132
606/203
2012/0053617 A1 3/2012 Benz et al.
2013/0123836 A1 5/2013 Lampropoulos et al.
2019/0133604 A1* 5/2019 Maeda A61B 17/12009
2019/0314027 A1* 10/2019 Clark A61B 17/128
2019/0314036 A1* 10/2019 Huang F16B 2/04
2022/0039805 A1* 2/2022 Hsiao A61B 17/1327
2022/0142654 A1* 5/2022 Kruk A61B 17/1327

FOREIGN PATENT DOCUMENTS

WO 2005/053506 A2 6/2005
WO 2016/179976 A1 11/2016

OTHER PUBLICATIONS

PCT Search Report for PCT/US2018/013062 dated Mar. 28, 2018
(2 pages).
Written Opinion for PCT/US2018/013062 dated Mar. 28, 2018 (4
pages).

* cited by examiner

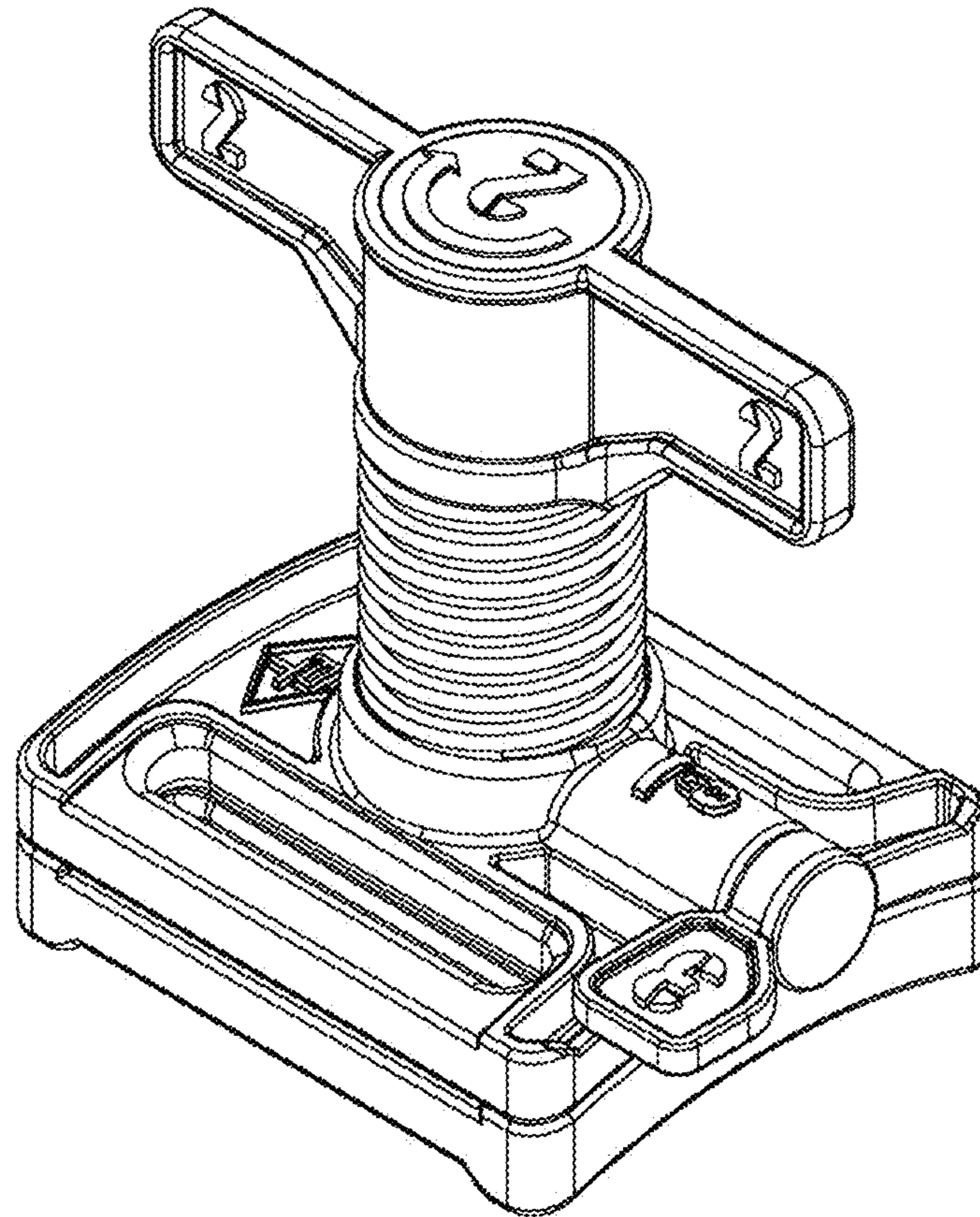


FIG. 1

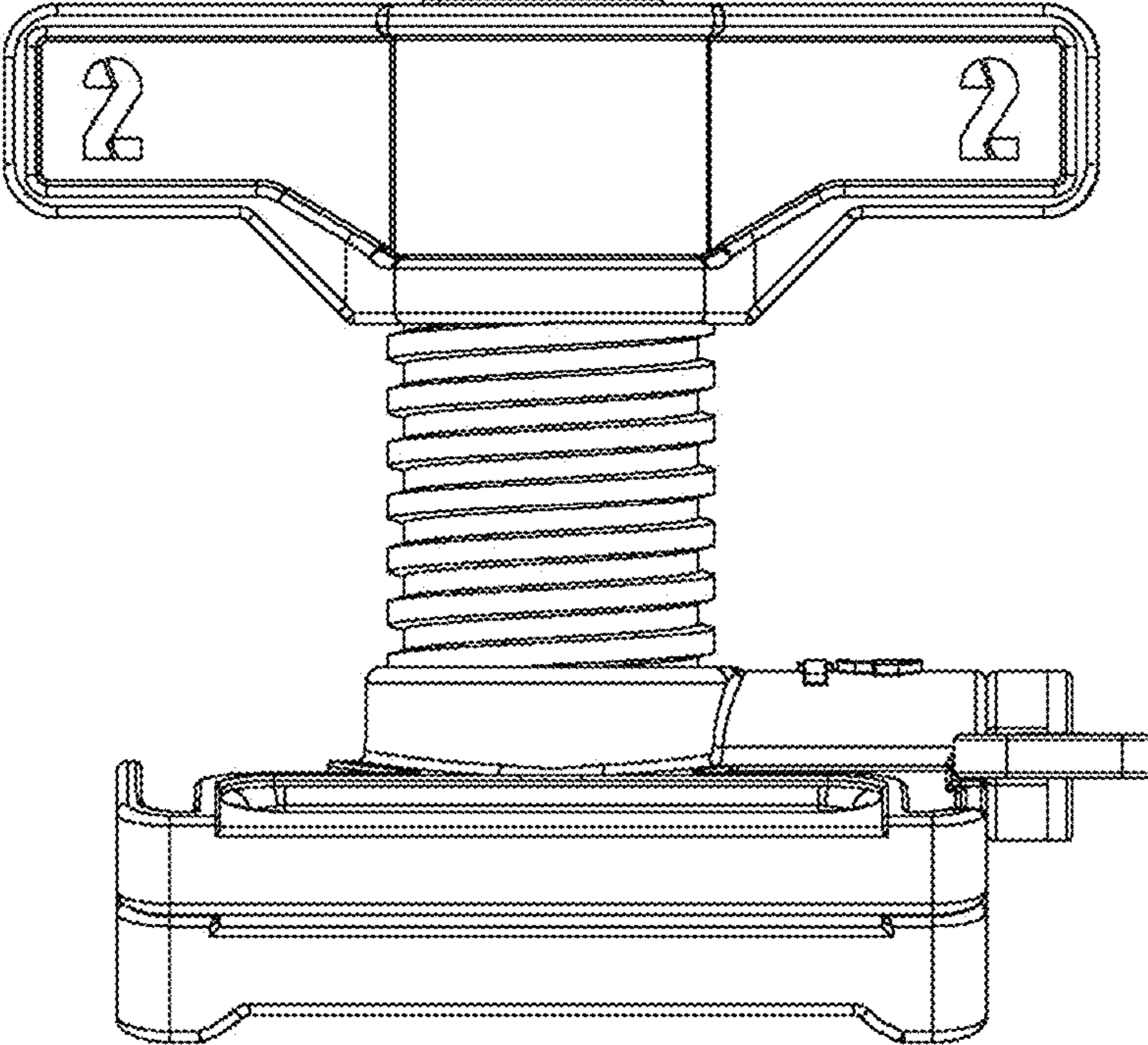


FIG. 2

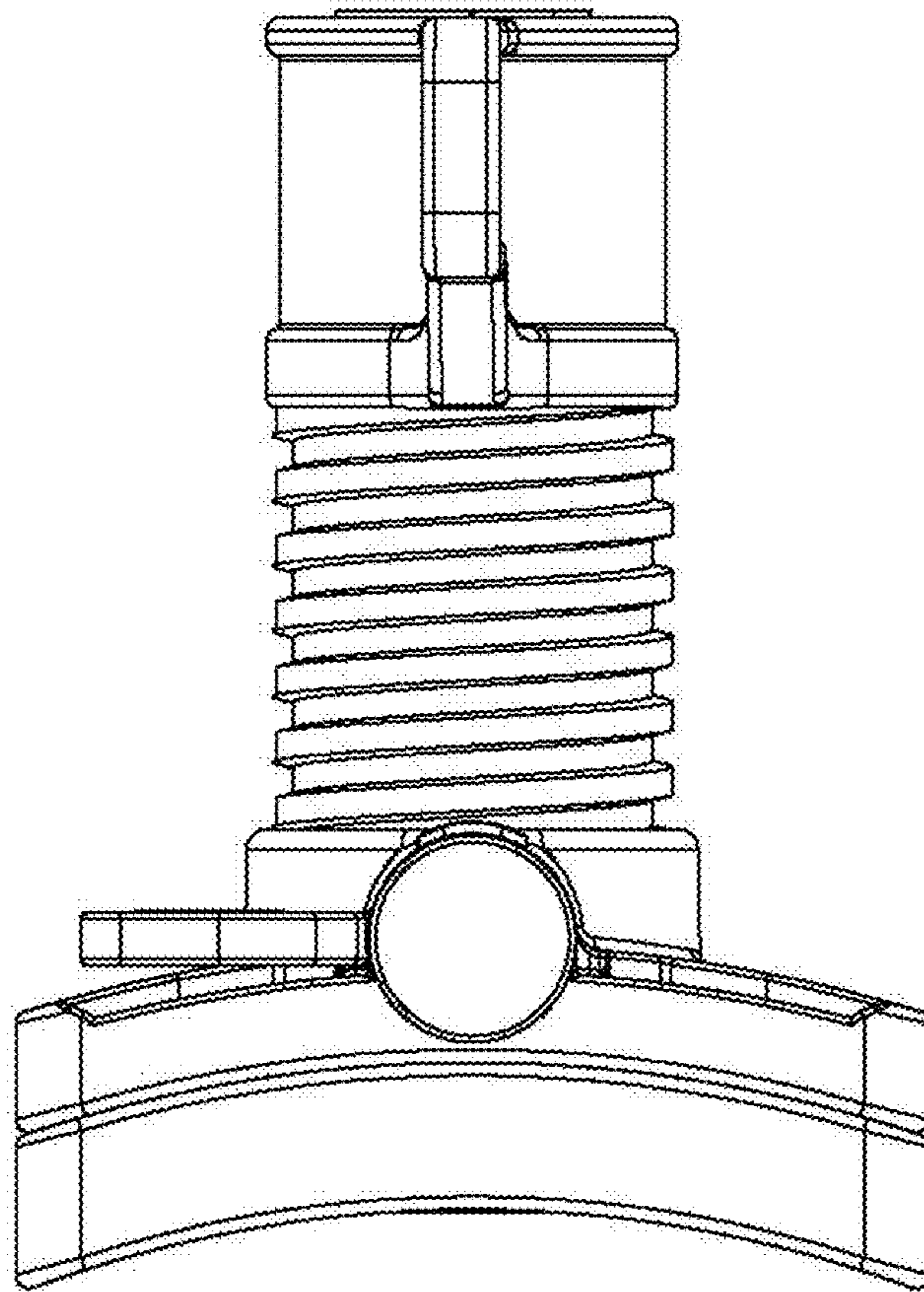


FIG. 3

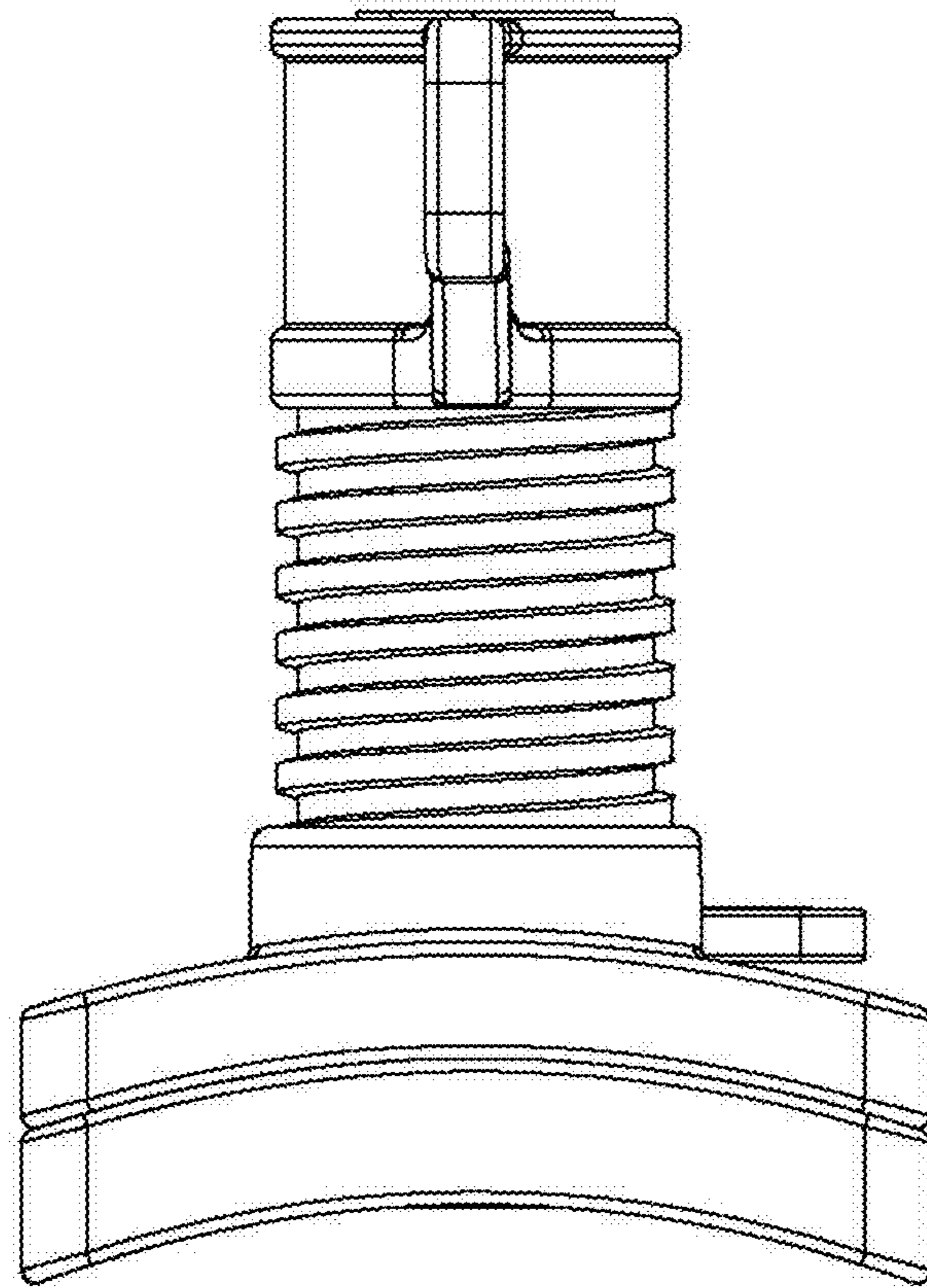


FIG. 4

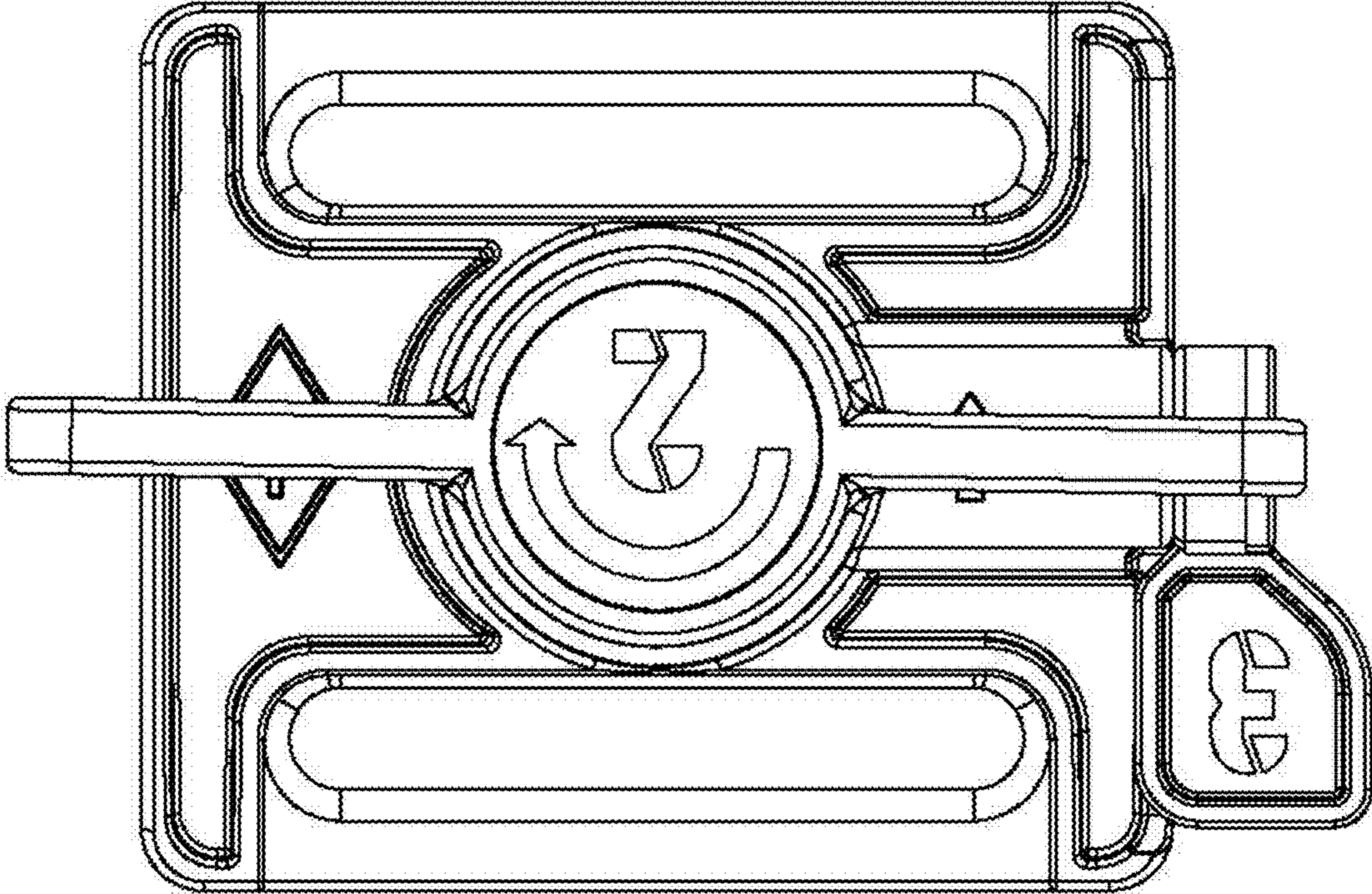


FIG. 5

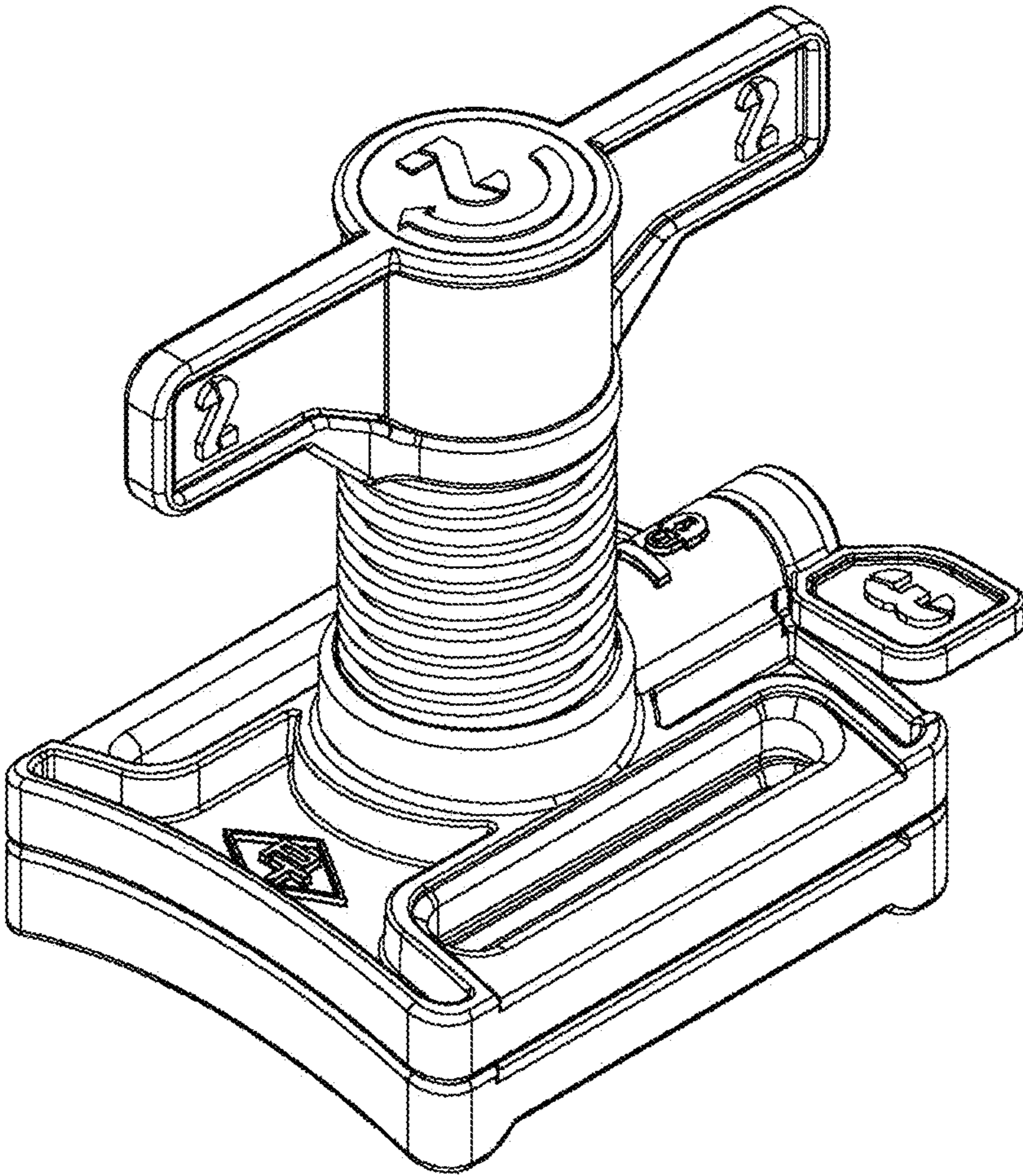


FIG. 6