



US00D975275S

(12) **United States Design Patent**
Ueda et al.

(10) **Patent No.:** **US D975,275 S**
(45) **Date of Patent:** **** Jan. 10, 2023**

(54) **HANDLE FOR A MEDICAL INSTRUMENT**

A61B 10/0275; A61B 10/0266; A61B
10/025; A61B 10/04; A61B 17/34; A61B
1/2676;

(71) Applicant: **Auris Health, Inc.**, Redwood City, CA
(US)

(Continued)

(72) Inventors: **Akira Bryan Ueda**, San Francisco, CA
(US); **Melissa A. Teran**, Redwood City,
CA (US); **Aadel Al-Jadda**, San Carlos,
CA (US); **Andre J. Castillo**, Redwood
City, CA (US); **Francois Pierre René**
Dransart, San Francisco, CA (US);
Jaeyeon Kwon, San Francisco, CA
(US)

(56)

References Cited

U.S. PATENT DOCUMENTS

4,825,850 A * 5/1989 Opie A61B 1/0052
600/122
5,181,514 A * 1/1993 Solomon A61B 8/12
600/152

(Continued)

(73) Assignee: **Auris Health, Inc.**, Redwood City, CA
(US)

FOREIGN PATENT DOCUMENTS

CN 306042094 * 9/2020

(**) Term: **15 Years**

Primary Examiner — T Chase Nelson

Assistant Examiner — Kelly L Gross

(21) Appl. No.: **29/701,981**

(74) *Attorney, Agent, or Firm* — Chang & Hale LLP

(22) Filed: **Aug. 15, 2019**

(57)

CLAIM

(51) **LOC (14) Cl.** **24-02**

The ornamental design for a handle for a medical instru-
ment, as shown and described.

(52) **U.S. Cl.**

DESCRIPTION

USPC **D24/133**; D24/138

(58) **Field of Classification Search**

USPC D24/119, 133, 137, 138, 151, 146, 147,
D24/152, 108, 111, 112, 113, 117, 118,
D24/127, 130, 135, 141, 143, 144, 148,
D24/153, 154, 170, 176, 179, 216, 222,
D24/145, 150; D8/51, 68, 107; D7/649

CPC A61B 1/00; A61B 1/00137; A61B 1/005;
A61B 1/0014; A61B 1/0676; A61B
1/0669; A61B 1/00121; A61B 1/00133;
A61B 1/00071; A61B 1/00064; A61B
1/00068; A61B 1/00112; A61B 1/0125;
A61B 17/3478; A61B 17/0684; A61B
17/068; A61B 17/0469; A61B 17/320092;
A61B 17/32; A61B 18/1445; A61B
1/00087; A61B 1/00098; A61B 1/0052;
A61B 1/00101; A61B 1/00066; A61B
1/0057; A61B 1/0011; A61B 2010/0208;

FIG. 1 is a top, front, right perspective view of a handle for
a medical instrument;

FIG. 2 is a bottom, rear, left perspective view thereof;

FIG. 3 is a front view thereof;

FIG. 4 is a rear view thereof;

FIG. 5 is a left view thereof;

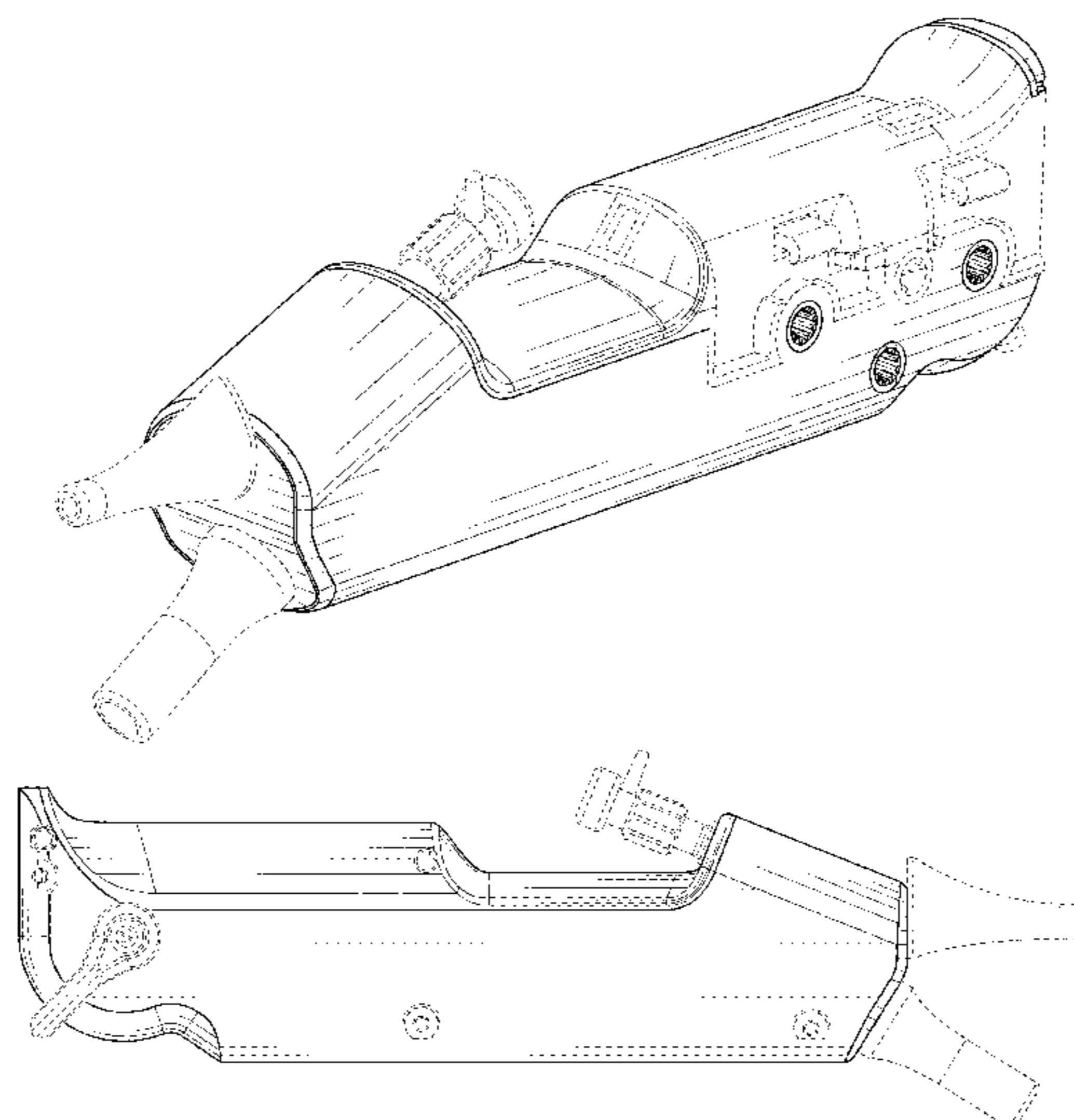
FIG. 6 is a right view thereof;

FIG. 7 is a top view thereof; and,

FIG. 8 is a bottom thereof.

The broken lines illustrate portions of the handle for a
medical instrument and form no part of the claimed subject
matter. In certain applications, the illustrated embodiment of
a handle for a medical instrument can be a handle for a
medical scope such as an endoscope or a ureteroscope.

1 Claim, 7 Drawing Sheets



(58) **Field of Classification Search**
 CPC A61M 25/09; A61M 2005/1585; A61F
 2002/011
 See application file for complete search history.

(56) **References Cited**

U.S. PATENT DOCUMENTS

5,352,234 A * 10/1994 Scott A61B 17/1622
 285/184
 5,695,491 A * 12/1997 Silverstein A61B 1/00133
 606/1
 D481,124 S * 10/2003 Hayamizu D24/138
 D486,910 S * 2/2004 Hayamizu D24/138
 D493,529 S * 7/2004 Hayamizu D24/138
 D495,052 S * 8/2004 Reschke D24/133
 D498,846 S * 11/2004 Hayamizu D24/138
 D551,762 S * 9/2007 Root D24/133
 D581,052 S * 11/2008 Root D24/133
 D593,674 S * 6/2009 Fedenia D24/108
 D606,651 S * 12/2009 Bukoski D24/113
 D621,932 S * 8/2010 Sonleiter D24/133
 D624,649 S * 9/2010 Seeh D24/137
 D629,098 S * 12/2010 Sonleiter D24/133
 D630,735 S * 1/2011 Behrbohm D24/133
 D632,783 S * 2/2011 Maesarapu D24/129
 D638,937 S * 5/2011 Tanaka A61B 1/00066
 D24/138
 D645,963 S * 9/2011 Buerk D24/138
 D660,430 S * 5/2012 Horning D24/146
 D665,909 S * 8/2012 Dodd D24/146
 D668,334 S * 10/2012 Makowski D24/138
 D668,762 S * 10/2012 Makowski D24/138
 D669,174 S * 10/2012 Makowski D24/138
 D669,175 S * 10/2012 Makowski D24/138
 D680,640 S * 4/2013 Merchant D24/108
 D685,908 S * 7/2013 Funakoshi D24/138
 D698,441 S * 1/2014 Meguro D24/138
 D698,921 S * 2/2014 Koennecke D24/138
 D709,192 S * 7/2014 Czapalla D24/138
 8,845,710 B2 * 9/2014 Hendriksen A61F 2/95
 623/1.11
 D715,429 S * 10/2014 Yu D24/130
 D715,430 S * 10/2014 Yu D24/130
 D718,442 S * 11/2014 Yoshida D24/138
 D718,443 S * 11/2014 Yoshida D24/138
 D718,444 S * 11/2014 Yoshida D24/138
 D718,445 S * 11/2014 Yoshida D24/138
 D718,446 S * 11/2014 Yoshida D24/138
 D718,447 S * 11/2014 Yoshida D24/138
 D723,686 S * 3/2015 Kratoska D24/144
 D723,687 S * 3/2015 Kratoska D24/144
 D726,906 S * 4/2015 Reed D24/130
 D733,874 S * 7/2015 Yu D24/130
 D734,457 S * 7/2015 Yu D24/130
 D736,916 S * 8/2015 Appling D24/130
 D737,966 S * 9/2015 Meguro D24/138
 D747,801 S * 1/2016 Kwon D24/133
 D751,196 S * 3/2016 Wapler D24/133
 D753,298 S * 4/2016 Hayamizu D24/138
 D753,823 S * 4/2016 Hayamizu D24/138
 D755,368 S * 5/2016 Efinger D24/112
 D755,375 S * 5/2016 Stammberger D24/135
 D757,262 S * 5/2016 Barki D24/138
 9,504,604 B2 11/2016 Alvarez
 D775,334 S * 12/2016 Hayamizu D24/138
 D777,328 S * 1/2017 Tanaka D24/138
 D777,914 S * 1/2017 Wapler D24/133
 D777,915 S * 1/2017 Tanaka D24/138
 D779,053 S * 2/2017 Kobida D24/108
 D779,671 S * 2/2017 Fuchs D24/147
 9,561,083 B2 2/2017 Yu et al.
 D782,672 S * 3/2017 Tanaka D24/138
 D785,174 S * 4/2017 Osada D24/138
 9,622,827 B2 4/2017 Yu et al.
 D785,794 S * 5/2017 Magno, Jr. D24/146
 9,636,184 B2 5/2017 Lee et al.

9,655,639 B2 * 5/2017 Mark A61B 1/018
 D788,914 S * 6/2017 Ogura D24/138
 9,713,509 B2 7/2017 Schuh et al.
 9,727,963 B2 8/2017 Mintz et al.
 9,737,371 B2 8/2017 Romo et al.
 9,737,373 B2 8/2017 Schuh
 9,744,335 B2 8/2017 Jiang
 9,763,741 B2 9/2017 Alvarez et al.
 9,788,910 B2 10/2017 Schuh
 9,844,412 B2 12/2017 Bogusky et al.
 9,867,635 B2 1/2018 Alvarez et al.
 D810,273 S * 2/2018 Maier D24/108
 9,918,681 B2 3/2018 Wallace et al.
 9,931,025 B1 4/2018 Graetzel et al.
 9,949,749 B2 4/2018 Noonan et al.
 9,955,986 B2 5/2018 Shah
 9,962,228 B2 5/2018 Schuh et al.
 9,980,785 B2 5/2018 Schuh
 9,993,313 B2 6/2018 Schuh et al.
 10,016,900 B1 7/2018 Meyer et al.
 10,022,192 B1 7/2018 Ummalaneni
 D827,131 S * 8/2018 Hayamizu D24/129
 10,080,576 B2 9/2018 Romo et al.
 10,136,959 B2 11/2018 Mintz et al.
 10,145,747 B1 12/2018 Lin et al.
 10,149,720 B2 12/2018 Romo
 10,159,532 B1 12/2018 Ummalaneni et al.
 10,159,533 B2 12/2018 Moll et al.
 10,169,875 B2 1/2019 Mintz et al.
 D841,159 S * 2/2019 Tanaka D24/138
 10,219,874 B2 3/2019 Yu et al.
 10,231,793 B2 3/2019 Romo
 10,231,867 B2 3/2019 Alvarez et al.
 D845,470 S * 4/2019 Ohno D24/127
 10,244,926 B2 4/2019 Noonan et al.
 10,285,574 B2 5/2019 Landey et al.
 10,299,870 B2 5/2019 Connolly et al.
 D852,357 S * 6/2019 Osada D24/138
 10,314,463 B2 6/2019 Agrawal et al.
 10,383,765 B2 8/2019 Alvarez et al.
 10,391,210 B2 * 8/2019 Manandhar A61B 1/00135
 10,398,518 B2 9/2019 Yu et al.
 10,405,939 B2 9/2019 Romo et al.
 10,405,940 B2 9/2019 Romo
 D865,170 S * 10/2019 Suzuki D24/138
 10,426,559 B2 10/2019 Graetzel et al.
 10,426,661 B2 10/2019 Kintz
 10,434,660 B2 10/2019 Meyer
 D870,884 S * 12/2019 Huels D24/137
 D870,886 S * 12/2019 Funakoshi D24/138
 D871,574 S * 12/2019 Lohk D24/138
 D871,576 S * 12/2019 Lohk D24/138
 D872,261 S * 1/2020 Funakoshi D24/138
 D872,860 S * 1/2020 Funakoshi D24/138
 D873,413 S * 1/2020 Ohno D24/127
 D886,999 S * 6/2020 Lohk D24/138
 D888,237 S * 6/2020 Lohk D24/138
 D902,401 S * 11/2020 Ohno D24/138
 D904,608 S * 12/2020 Attinger D24/138
 D905,241 S * 12/2020 Ohno D24/138
 D908,866 S * 1/2021 Fuentes-Ortega D24/112
 D909,575 S * 2/2021 Ohno D24/138
 D923,176 S * 6/2021 Bradley D24/144
 D929,585 S * 8/2021 Sharp D24/138
 D933,820 S * 10/2021 Ota D24/133
 D935,017 S * 11/2021 Kawanishi D24/138
 D936,221 S * 11/2021 Jensen D24/138
 D938,028 S * 12/2021 Hauser D24/138
 D938,585 S * 12/2021 Kalina, Jr. D24/133
 D940,315 S * 1/2022 Ono D24/138
 D940,316 S * 1/2022 Ono D24/138
 D940,317 S * 1/2022 Ono D24/138
 D954,947 S * 6/2022 Ono D24/138
 D954,948 S * 6/2022 Ono D24/138
 D955,573 S * 6/2022 Mo D24/138
 D956,969 S * 7/2022 Bast D24/133
 D956,972 S * 7/2022 Costin A61B 1/317
 D24/138
 D956,974 S * 7/2022 Suzuki D24/138

(56)

References Cited

U.S. PATENT DOCUMENTS

D958,344 S *	7/2022	Ono	D24/138	2018/0360435 A1	12/2018	Romo
D958,345 S *	7/2022	Ono	D24/138	2019/0000559 A1	1/2019	Berman et al.
D958,346 S *	7/2022	Ono	A61B 1/317	2019/0000560 A1	1/2019	Berman et al.
				D24/138	2019/0000576 A1	1/2019	Mintz et al.
D958,347 S *	7/2022	Ono	D24/138	2019/0083183 A1	3/2019	Moll et al.
2014/0142591 A1	5/2014	Alvarez et al.			2019/0105776 A1	4/2019	Ho et al.
2014/0357984 A1	12/2014	Wallace et al.			2019/0107454 A1	4/2019	Lin
2014/0364870 A1	12/2014	Alvarez et al.			2019/0110839 A1	4/2019	Rafii-Tari et al.
2016/0001038 A1	1/2016	Romo et al.			2019/0110843 A1	4/2019	Ummalaneni et al.
2016/0270865 A1	9/2016	Landey et al.			2019/0151148 A1	4/2019	Alvarez et al.
2016/0287279 A1	10/2016	Bovay et al.			2019/0167366 A1	6/2019	Ummalaneni
2017/0007337 A1	1/2017	Dan			2019/0175009 A1	6/2019	Mintz
2017/0119481 A1	5/2017	Romo et al.			2019/0175062 A1	6/2019	Rafii-Tari et al.
2017/0165011 A1	6/2017	Bovay et al.			2019/0175287 A1	6/2019	Hill
2017/0172673 A1	6/2017	Yu et al.			2019/0175799 A1	6/2019	Hsu
2017/0202627 A1	7/2017	Sramek et al.			2019/0183585 A1	6/2019	Rafii-Tari et al.
2017/0209073 A1	7/2017	Sramek et al.			2019/0183587 A1	6/2019	Rafii-Tari et al.
2017/0290631 A1	10/2017	Lee et al.			2019/0216548 A1	7/2019	Ummalaneni
2017/0333679 A1	11/2017	Jiang			2019/0216550 A1	7/2019	Eyre
2017/0340396 A1	11/2017	Romo et al.			2019/0216576 A1	7/2019	Eyre
2017/0367782 A1	12/2017	Schuh et al.			2019/0223974 A1	7/2019	Romo
2018/0025666 A1	1/2018	Ho et al.			2019/0228525 A1	7/2019	Mintz et al.
2018/0177556 A1	6/2018	Noonan et al.			2019/0228528 A1	7/2019	Mintz et al.
2018/0214011 A1	8/2018	Graetzel et al.			2019/0246882 A1	8/2019	Graetzel et al.
2018/0221038 A1	8/2018	Noonan et al.			2019/0262086 A1	8/2019	Connolly et al.
2018/0221039 A1	8/2018	Shah			2019/0269468 A1	9/2019	Hsu et al.
2018/0250083 A1	9/2018	Schuh et al.			2019/0274764 A1	9/2019	Romo
2018/0271616 A1	9/2018	Schuh et al.			2019/0290109 A1	9/2019	Agrawal et al.
2018/0279852 A1	10/2018	Rafii-Tari et al.			2019/0298160 A1	10/2019	Ummalaneni et al.
2018/0280660 A1	10/2018	Landey et al.			2019/0298458 A1	10/2019	Srinivasan
2018/0289431 A1	10/2018	Draper et al.			2019/0298460 A1	10/2019	Al-Jadda
2018/0325499 A1	11/2018	Landey et al.			2019/0298465 A1	10/2019	Chin
2018/0333044 A1	11/2018	Jenkins			2019/0328213 A1	10/2019	Landey et al.
					2019/0336238 A1	11/2019	Yu
					2021/0275001 A1 *	9/2021	Lund A61B 1/00066

* cited by examiner

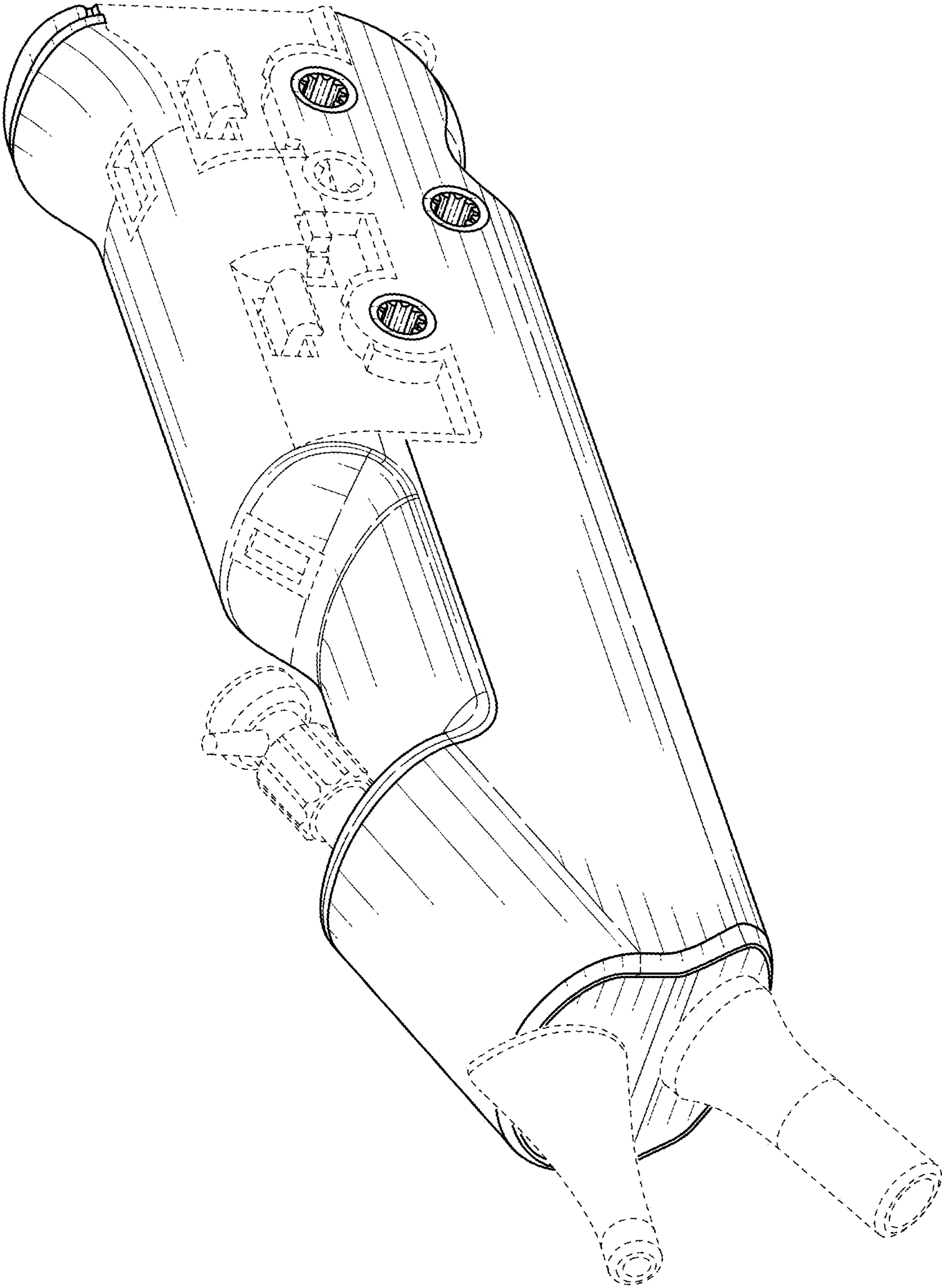


FIG. 1

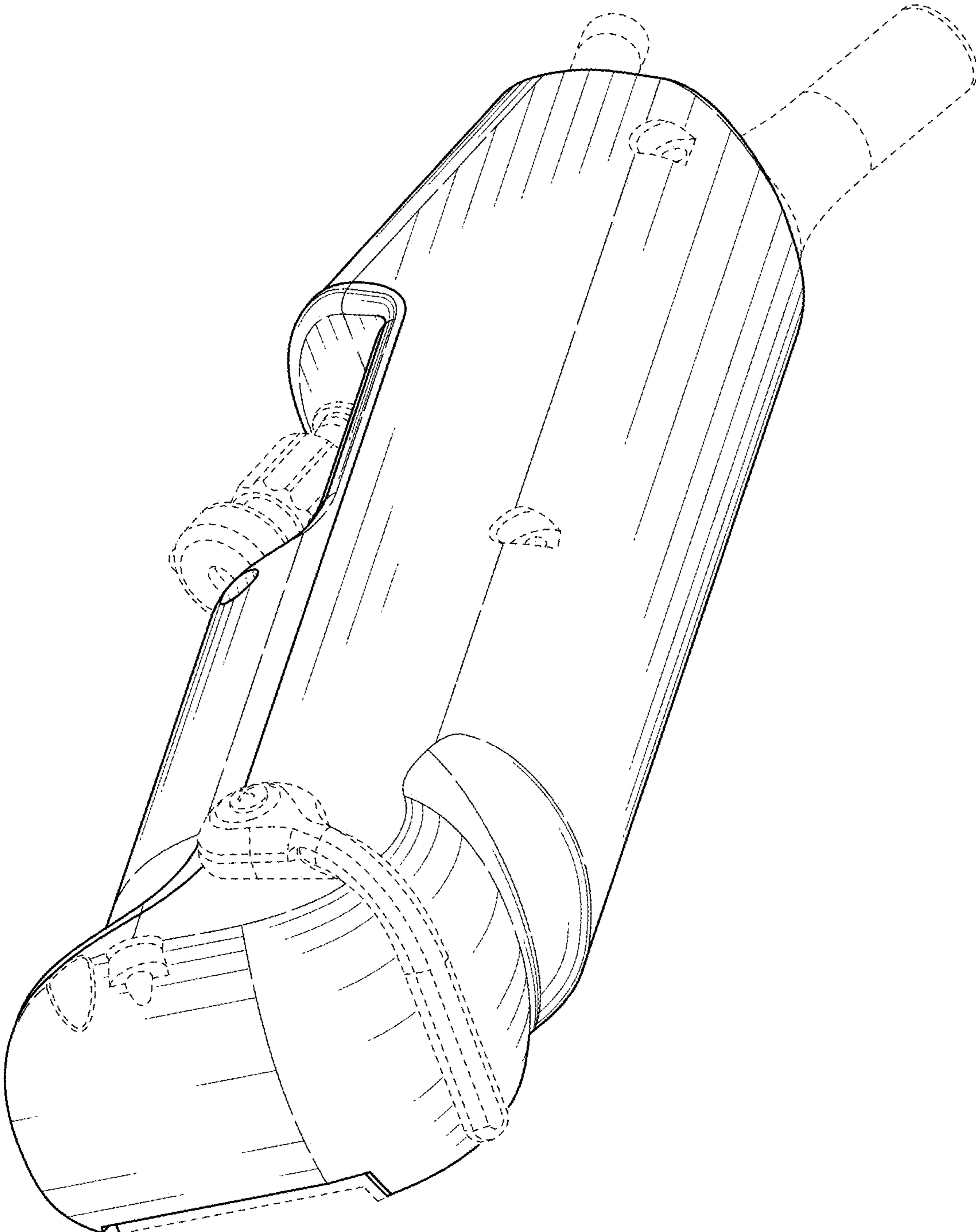


FIG. 2

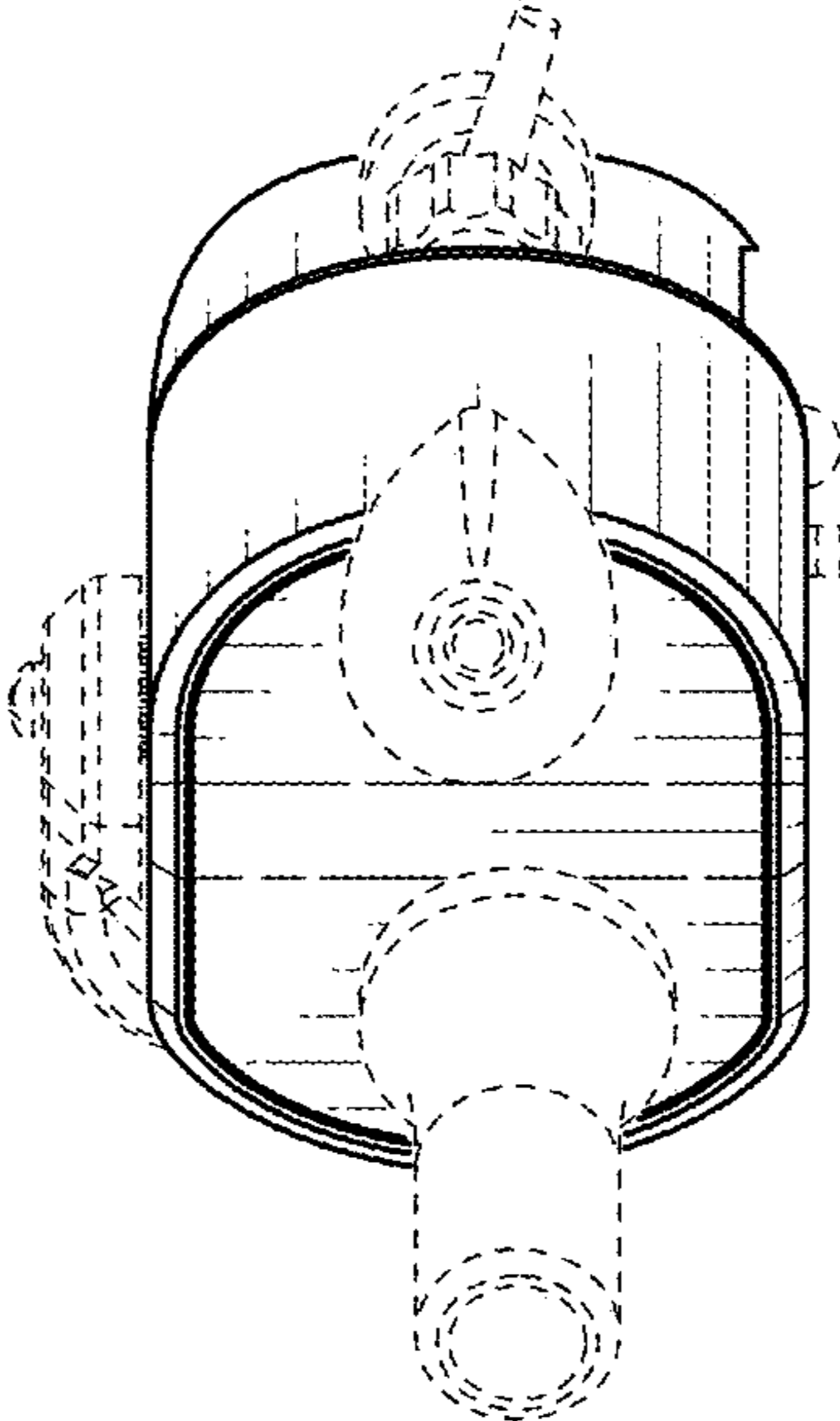


FIG. 3

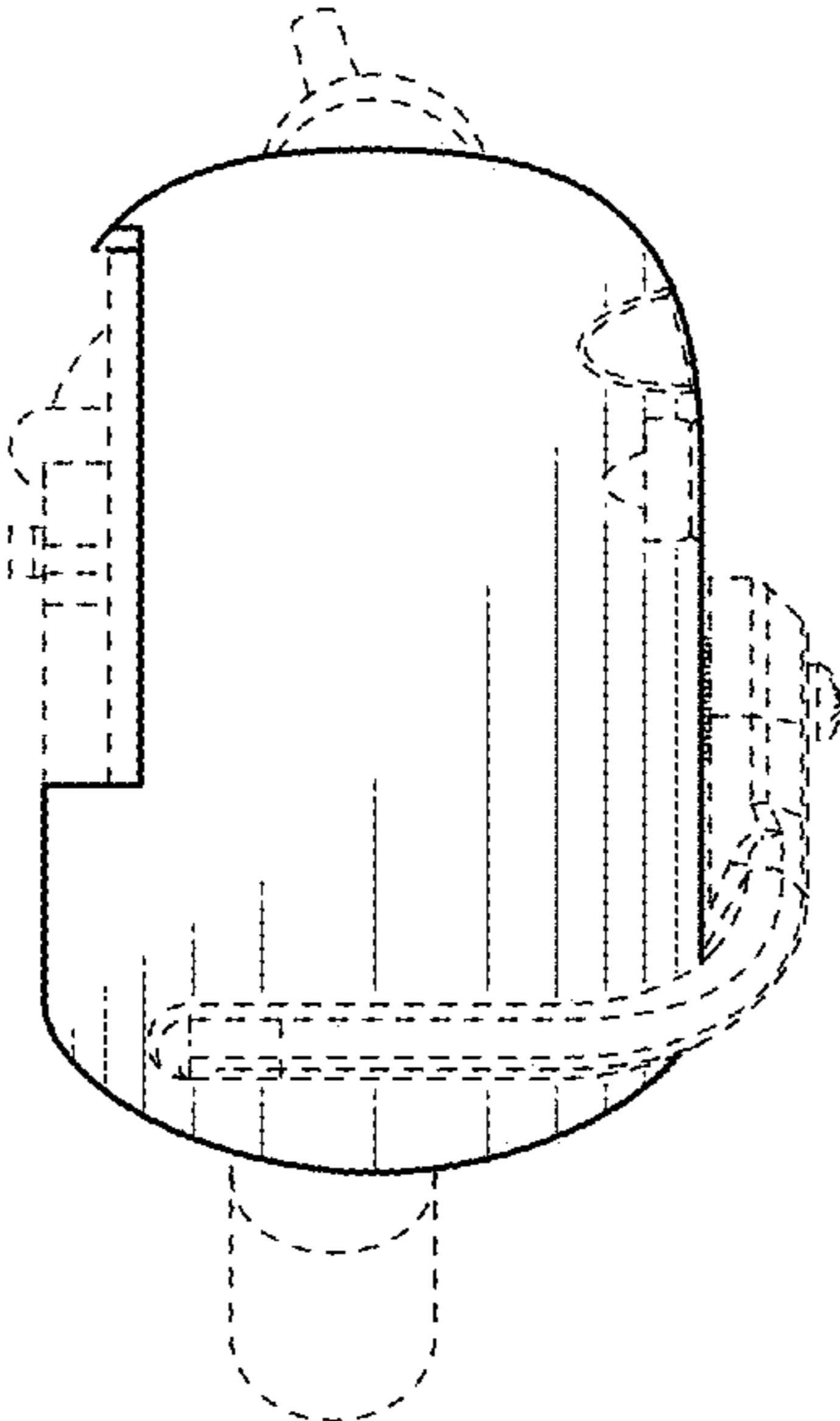


FIG. 4

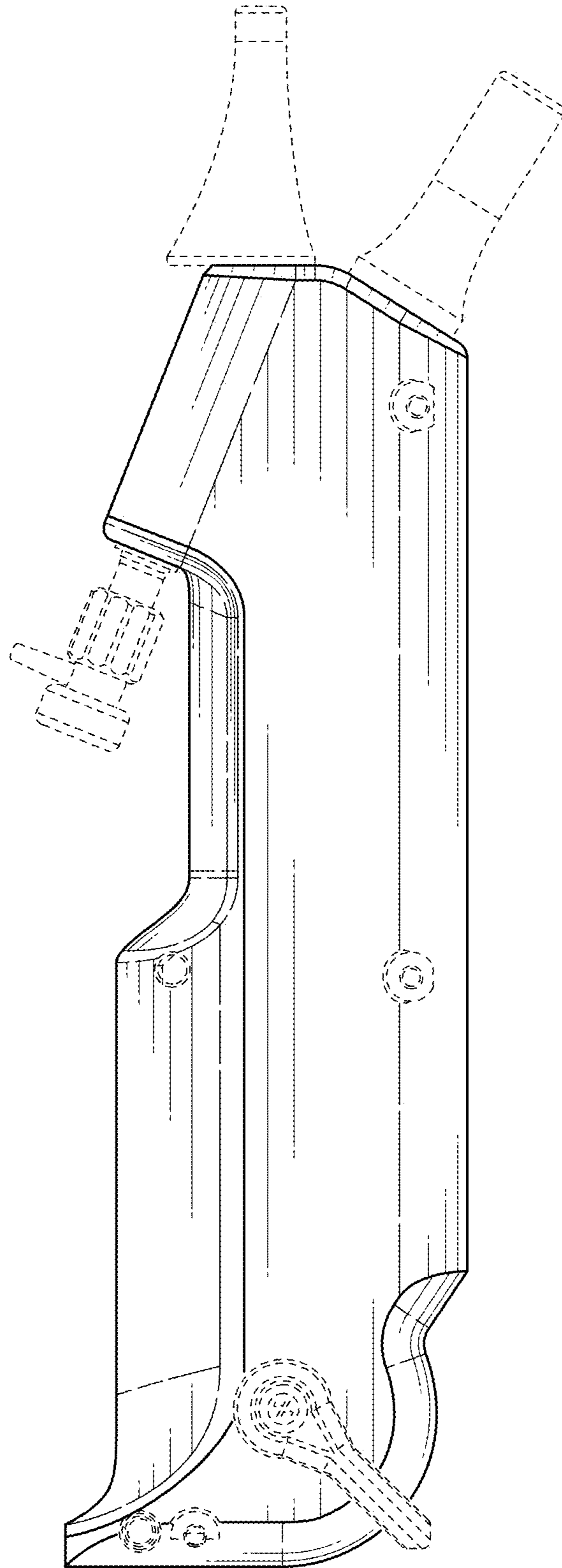


FIG. 5

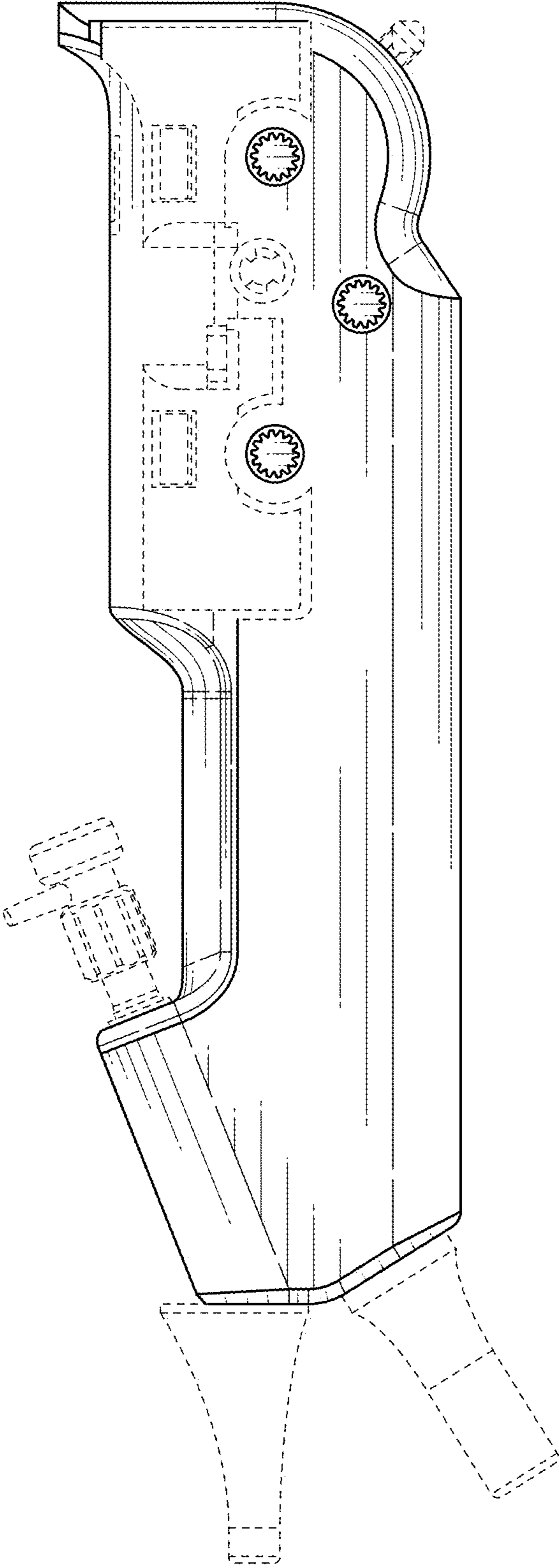


FIG. 6

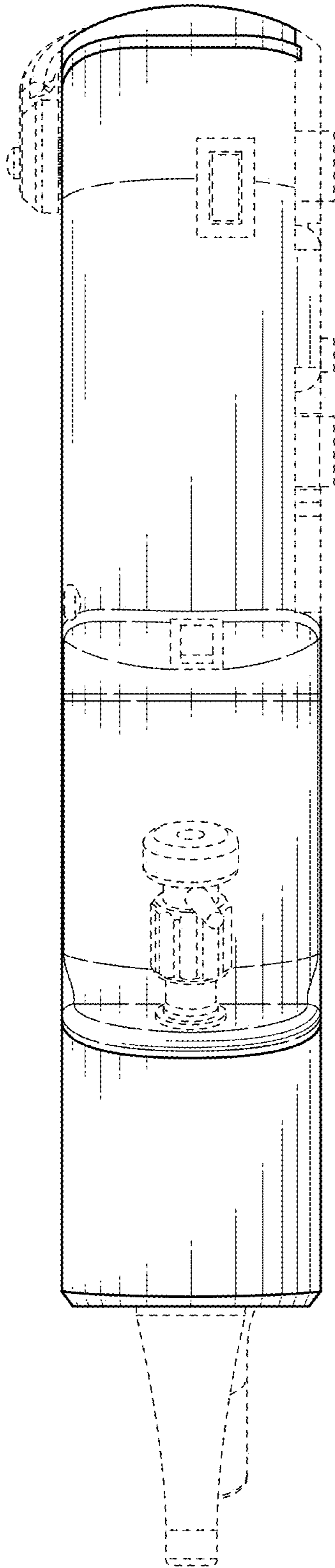


FIG. 7

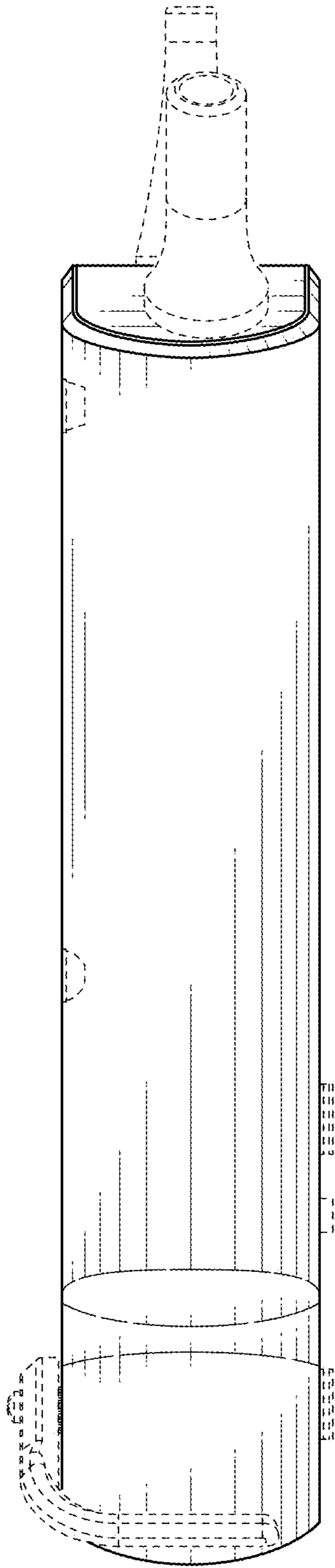


FIG. 8