



US00D975273S

(12) **United States Design Patent** (10) **Patent No.:** **US D975,273 S**
Theriot (45) **Date of Patent:** **** Jan. 10, 2023**

(54) **SYRINGE PUMP**
(71) Applicant: **MANAMED INC**, Las Vegas, NV (US)
(72) Inventor: **Trevor James Theriot**, Las Vegas, NV (US)
(**) Term: **15 Years**
(21) Appl. No.: **29/772,578**
(22) Filed: **Mar. 3, 2021**
(51) **LOC (14) Cl.** **24-02**
(52) **U.S. Cl.**
USPC **D24/129**
(58) **Field of Classification Search**
USPC D24/127–129, 110, 110.4, 110.5, 110.6,
D24/112, 113, 121, 186, 231; D23/233,
D23/259–269
CPC A61M 25/065; A61M 5/42; A61M 39/00;
A61M 25/0043
See application file for complete search history.

D853,535 S * 7/2019 Norton D23/266
D861,161 S * 9/2019 Schuessler D24/129
D898,878 S * 10/2020 Sprenger D13/133
D930,123 S * 9/2021 Garcia Blanco D23/262

FOREIGN PATENT DOCUMENTS

KR 300927480.0000 * 10/2017

OTHER PUBLICATIONS

Salter Green Oxygen Supply Tubing Connector (Male to Male), Oxygen Concentrator Supplies shop, [Post date unknown], [Site seen Aug. 17, 2022], Seen at URL: <https://www.oxygenconcentratorsupplies.com/salter-green-oxygen-supply-tubing-connector-male-to-male> (Year: 2022).*
5pcs PP Hose Fittings Straight Reducing Connector Air Pump, Aliexpress.com, [Postdate unknown], [Site seen Aug. 17, 2022], Seen at URL: <https://www.aliexpress.com/item/2251832794942336.html?gatewayAdapt=4itemAdapt> (Year: 2022).*

* cited by examiner

Primary Examiner — Natasha Vujcic
Assistant Examiner — Gilbert B Ford
(74) *Attorney, Agent, or Firm* — Ruben Alcoba, Esq.

(57) **CLAIM**

I claim, the ornamental design for a syringe pump, as shown and described.

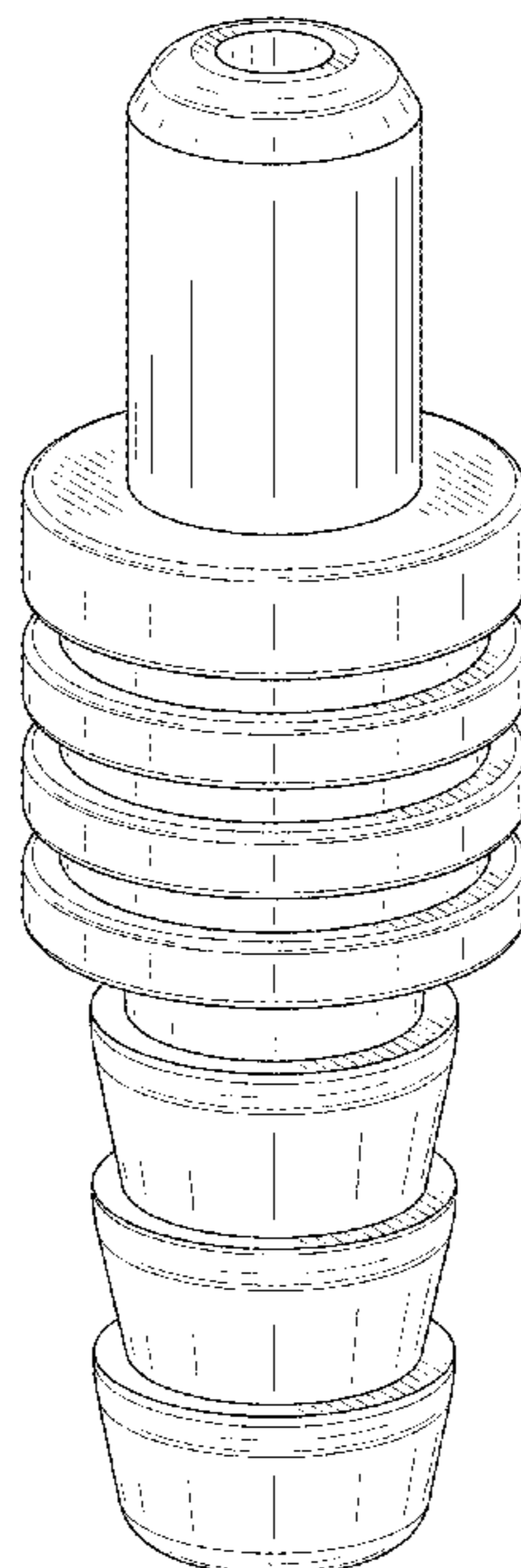
DESCRIPTION

FIG. 1 is a top perspective view of a tubing connector for a medical device in accordance with the present invention; FIG. 2 is a bottom perspective view of the tubing connector; FIG. 3 is a top plan view of the tubing connector; FIG. 4 is a bottom plan view of the tubing connector; and, FIG. 5. is a left side view, a right side view, a front side view, and a rear side view of the tubing connector.

1 Claim, 2 Drawing Sheets

(56) **References Cited**
U.S. PATENT DOCUMENTS

D333,178 S * 2/1993 Novy D23/262
D378,314 S * 3/1997 Koros D24/155
D451,174 S * 11/2001 Patteson D23/262
D473,646 S * 4/2003 Baillargeon D24/129
D486,909 S * 2/2004 Cise D24/129
D488,866 S * 4/2004 O'Dell D24/129
D654,150 S * 2/2012 Bonhag D23/262
D671,209 S * 11/2012 Row D24/129
D686,306 S * 7/2013 Grether D23/264
D719,258 S * 12/2014 Li D24/129
D748,778 S * 2/2016 Shiozaki D24/130
D838,350 S * 1/2019 Downs F16L 37/0841
D23/262
D851,738 S * 6/2019 Ghorbani D23/259



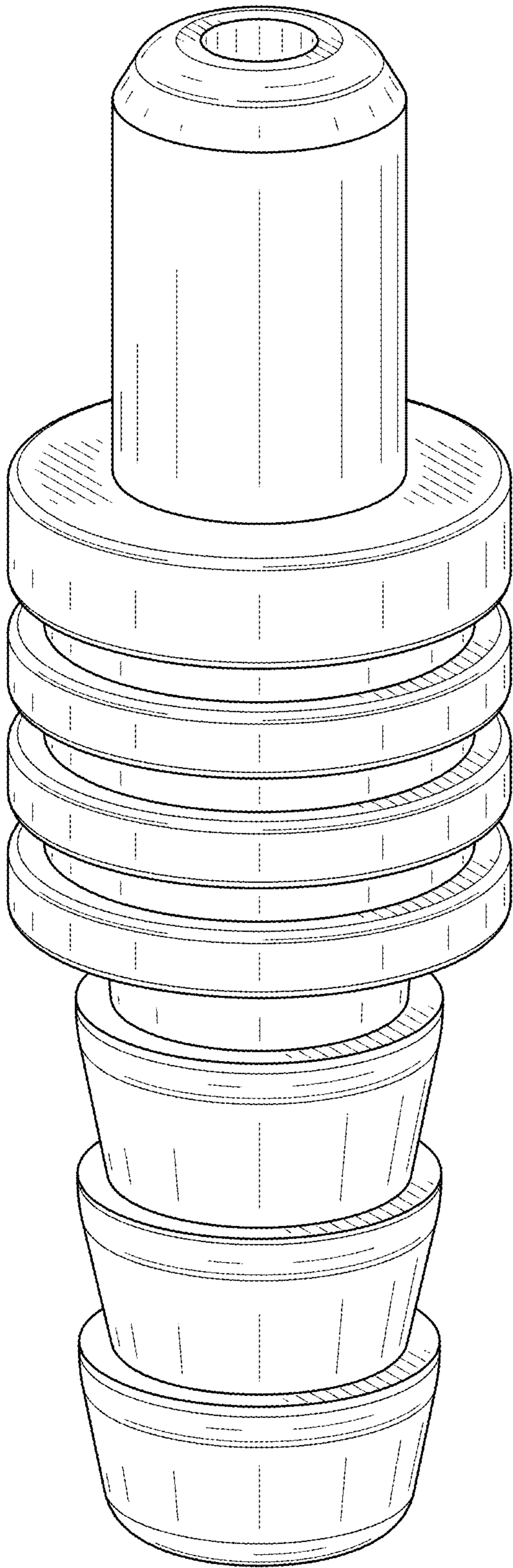


FIG. 1

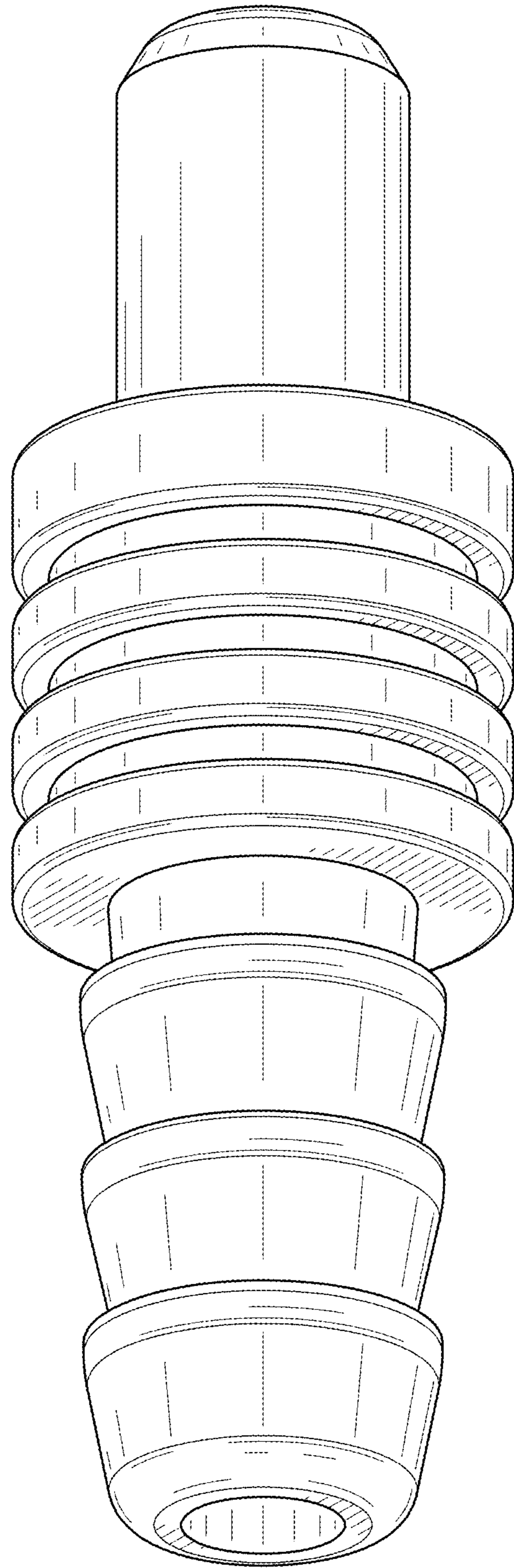


FIG. 2

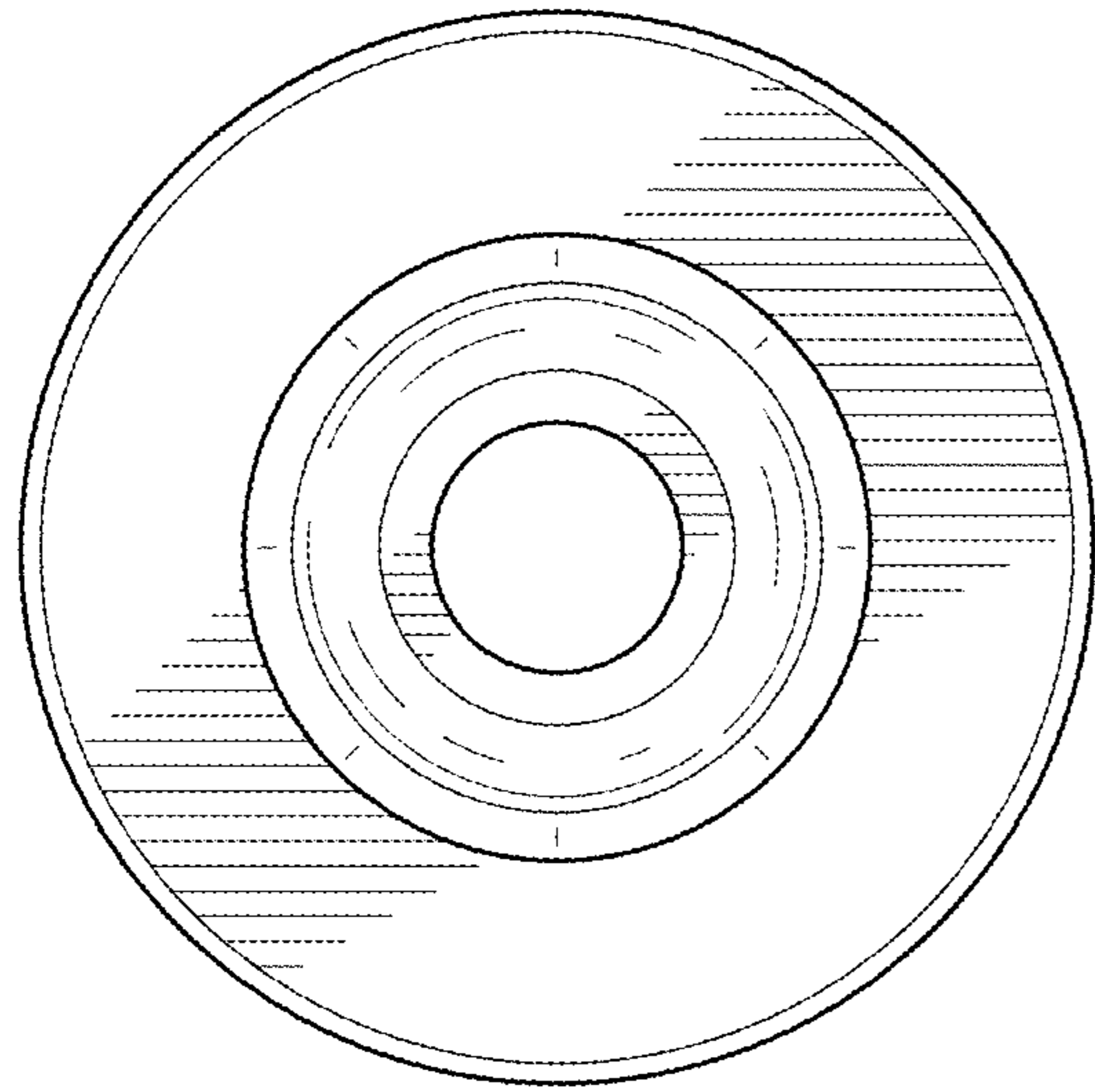


FIG. 3

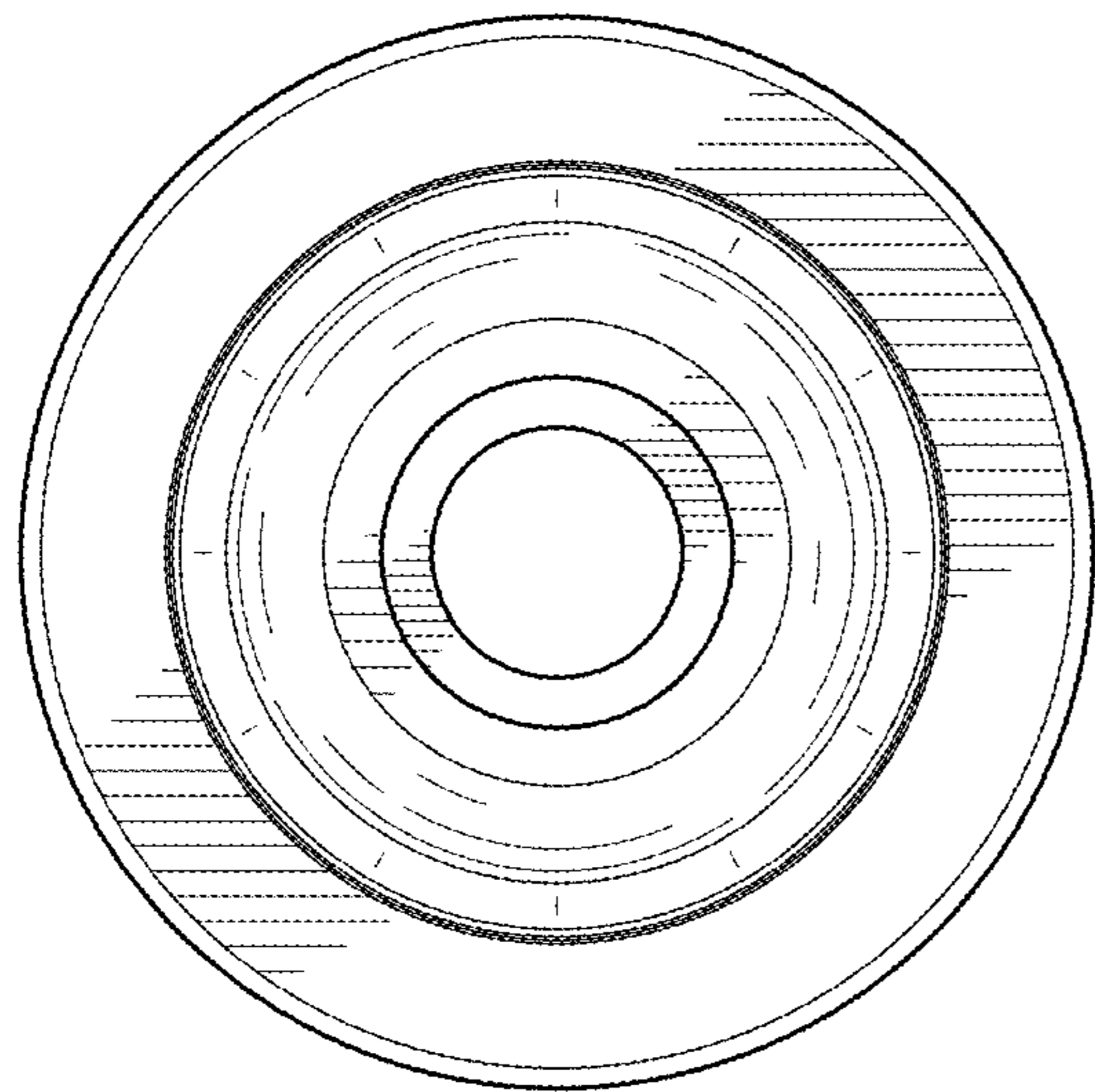


FIG. 4

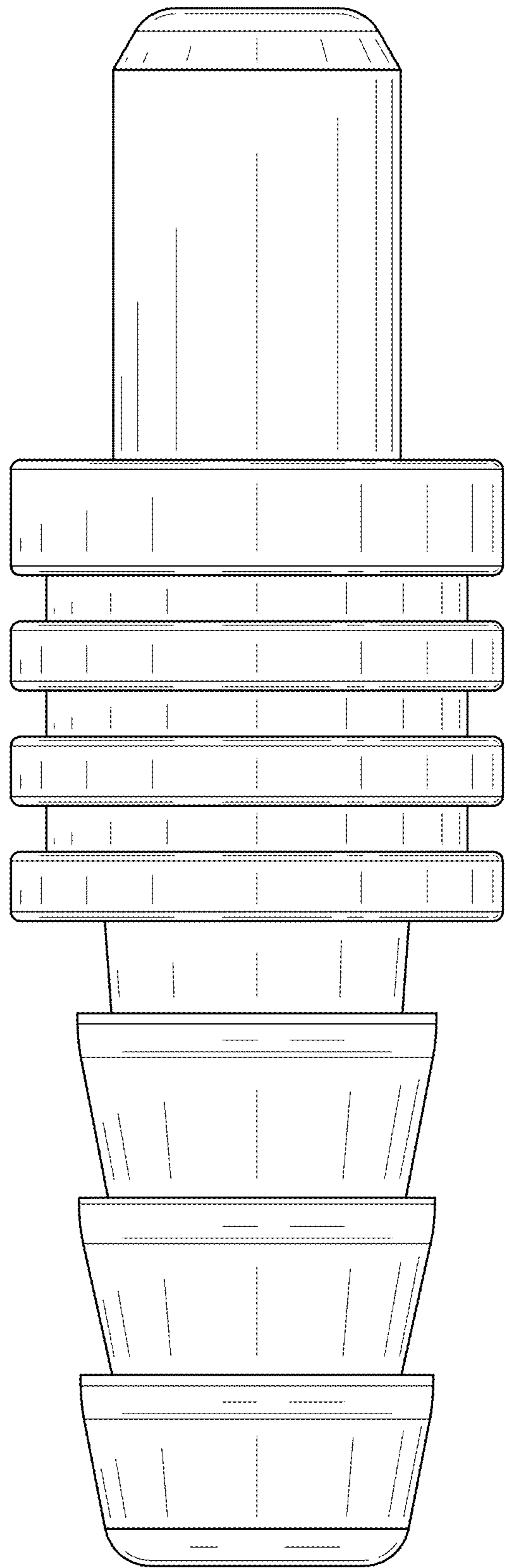


FIG. 5