



US00D975271S

(12) **United States Design Patent**
Yeom

(10) **Patent No.:** **US D975,271 S**
(45) **Date of Patent:** **** Jan. 10, 2023**

(54) **SWAB FOR COLLECTING BIOLOGICAL SAMPLES**

D614,292 S * 4/2010 Anderson D24/119
8,114,027 B2 2/2012 Triva
8,317,728 B2 11/2012 Triva

(Continued)

(71) Applicant: **VECTORNATE KOREA CO., LTD.**,
Jeollanam-do (KR)

FOREIGN PATENT DOCUMENTS

(72) Inventor: **Sean Taesun Yeom**, Cranbury, NJ (US)

CN 203915228 U 11/2014
JP 2015090330 A 5/2015

(73) Assignee: **Vectornate Korea Co., Ltd.**,
Jeollanam-do (KR)

(Continued)

(**) Term: **15 Years**

OTHER PUBLICATIONS

(21) Appl. No.: **29/762,281**

Utility U.S. Appl. No. 17/549,765, filed Dec. 13, 2021 by Applicant, Vectornate Korea Co., Ltd., entitled "Specimen Collection Swab Assembly" (29 pages).

(22) Filed: **Dec. 15, 2020**

(Continued)

Related U.S. Application Data

(63) Continuation-in-part of application No. 29/652,566, filed on Sep. 21, 2020.

Primary Examiner — Samantha Q Lawrence

(51) **LOC (14) Cl.** **24-02**

(74) *Attorney, Agent, or Firm* — Lewis Roca Rothgerber Christie, LLP

(52) **U.S. Cl.**
USPC **D24/119**

(57) **CLAIM**

(58) **Field of Classification Search**
USPC D24/100, 105, 107, 108, 110, 111, 112, D24/113, 114, 115, 116, 117, 118, 119, D24/140, 141, 144, 146, 147, 223, 224, D24/228; D28/7
CPC A61F 11/006; A61F 13/38; A61F 13/15; A61F 13/64; A61F 13/467; A61F 13/5611; A61F 13/4704; A61F 13/5616; A61F 13/4758; A61F 13/472; A61B 2017/246; A61B 17/1615; A61B 17/1697; A61B 2018/0231; A61M 2210/0662
See application file for complete search history.

The ornamental design for the swab for collecting biological samples, as shown and described.

DESCRIPTION

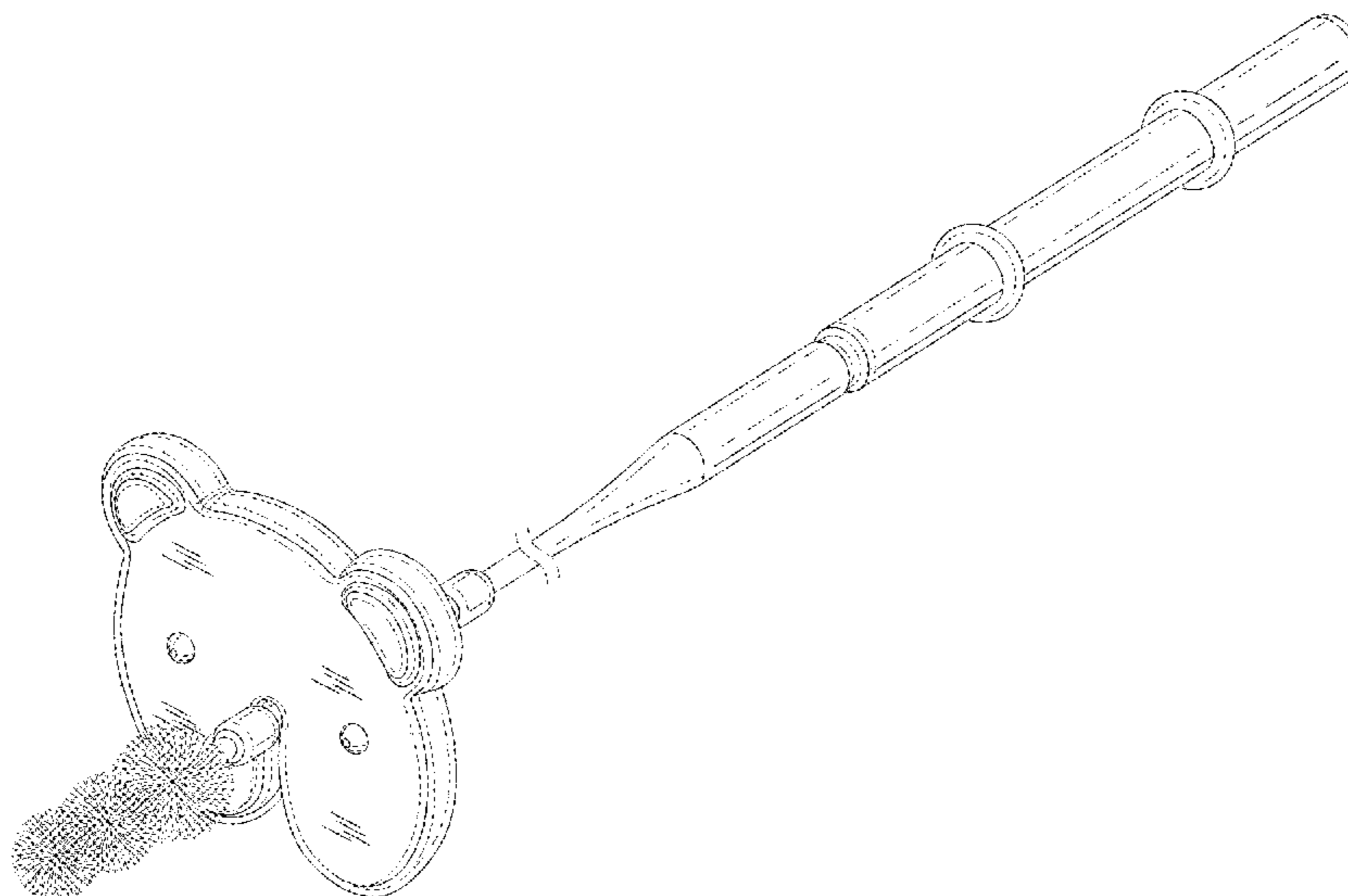
FIG. 1 is a perspective view of a swab for collecting biological samples in combination with a stop plate, showing an embodiment of my new design; FIG. 2 is a front elevational view thereof; FIG. 3 is a rear elevational view thereof; FIG. 4 is a top plan view thereof; FIG. 5 is a right side elevational view thereof, the left side elevational view being a mirror image thereof; and, FIG. 6 is a bottom plan view thereof. The swab for collecting biological samples is shown with a symbolic break in its length. The appearance of any portion of the article between the break lines forms no part of the claimed design.

(56) **References Cited**

U.S. PATENT DOCUMENTS

5,627,071 A 5/1997 Triva
7,211,061 B1 * 5/2007 Maxwell A61M 31/00
D24/119

1 Claim, 5 Drawing Sheets



(56)

References Cited

U.S. PATENT DOCUMENTS

8,334,134 B2 12/2012 Young et al.
 8,420,385 B2 4/2013 Young et al.
 D701,600 S * 3/2014 Kauffman D24/119
 8,979,784 B2 3/2015 Triva
 9,011,358 B2 4/2015 Triva
 9,170,177 B2 10/2015 Triva
 9,173,779 B2 11/2015 Triva
 9,274,029 B2 3/2016 Young et al.
 9,279,747 B2 3/2016 Young et al.
 9,428,788 B2 8/2016 Triva
 D772,398 S 11/2016 Triva
 D779,654 S * 2/2017 Pourbaba D24/119
 10,092,275 B2 10/2018 Triva
 10,094,744 B2 10/2018 Young et al.
 10,094,745 B2 10/2018 Young et al.
 10,327,741 B2 6/2019 Triva
 D942,000 S * 1/2022 Huxel D24/119
 D944,987 S * 3/2022 Wang D24/151
 D945,618 S * 3/2022 Ramon Martinez D28/8
 2011/0282243 A1 11/2011 Nakatani
 2013/0072817 A1 3/2013 Triva
 2013/0245495 A1 9/2013 Li et al.
 2016/0367227 A1 12/2016 Triva
 2018/0361375 A1 12/2018 Martello

2019/0008489 A1 1/2019 Triva
 2019/0011331 A1 1/2019 Young et al.
 2019/0011332 A1 1/2019 Young et al.
 2019/0134635 A1 5/2019 Triva
 2019/0143318 A1 5/2019 Triva
 2019/0307433 A1 10/2019 Triva

FOREIGN PATENT DOCUMENTS

KR 101696549 B1 1/2017
 KR 1020220012440 A 2/2022
 WO 2006063979 A1 6/2006
 WO 2011133129 A1 10/2011
 WO 2015052607 A1 4/2015

OTHER PUBLICATIONS

Design U.S. Appl. No. 29/797,227, filed Jun. 29, 2021 by Applicant, Vectornate USA Inc., entitled "Swabbing Stick and Swab for Collecting Biological Samples" (16 pages).
 Design U.S. Appl. No. 29/652,566, filed Sep. 21, 2020 by Applicant, Vectornate USA Inc., entitled "Swabbing Stick" (8 pages).
 PCT International Search Report and Written Opinion for PCT/US2021/010054, dated Apr. 12, 2022, 11 pages.

* cited by examiner

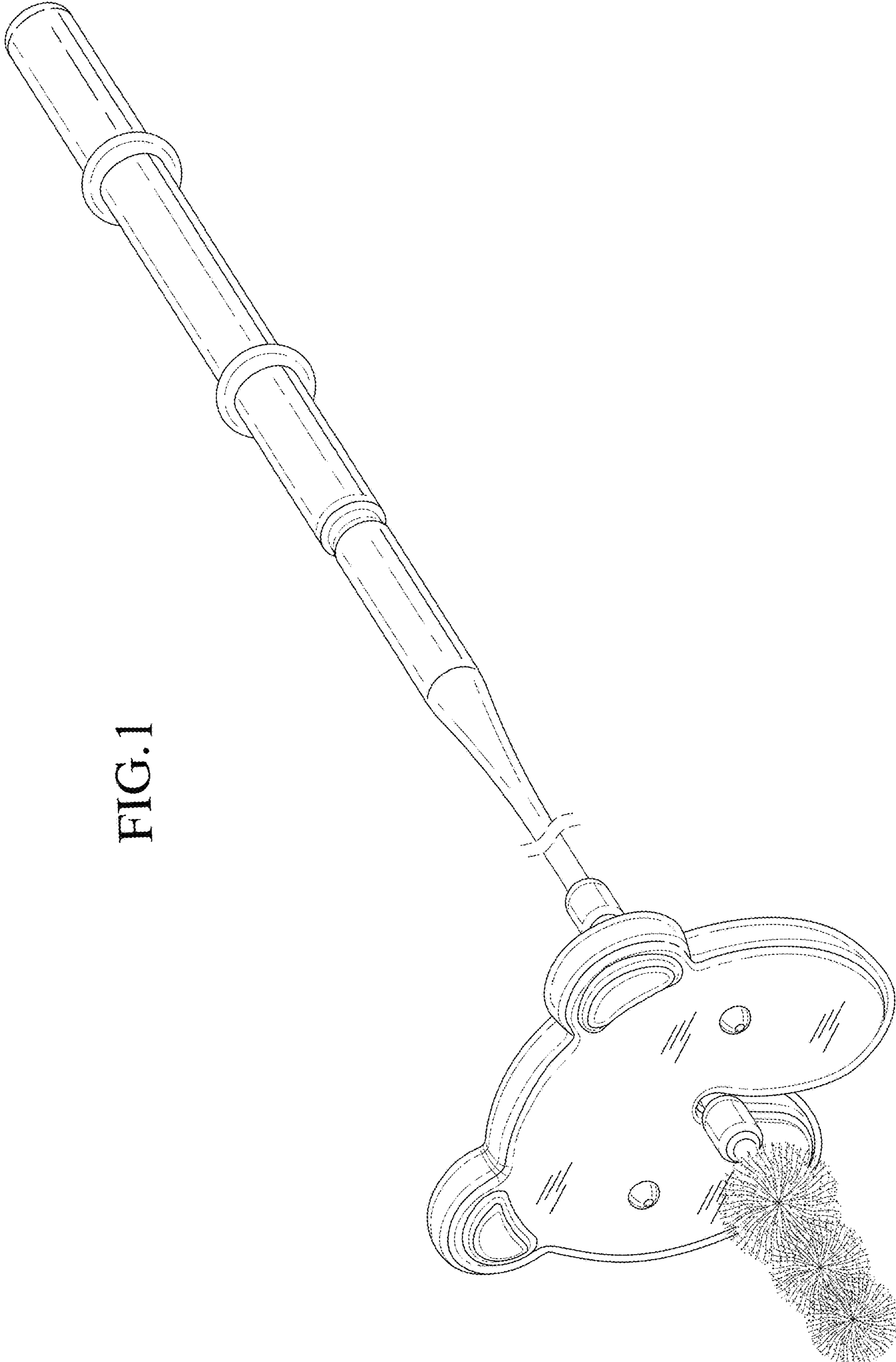


FIG. 1

FIG. 2

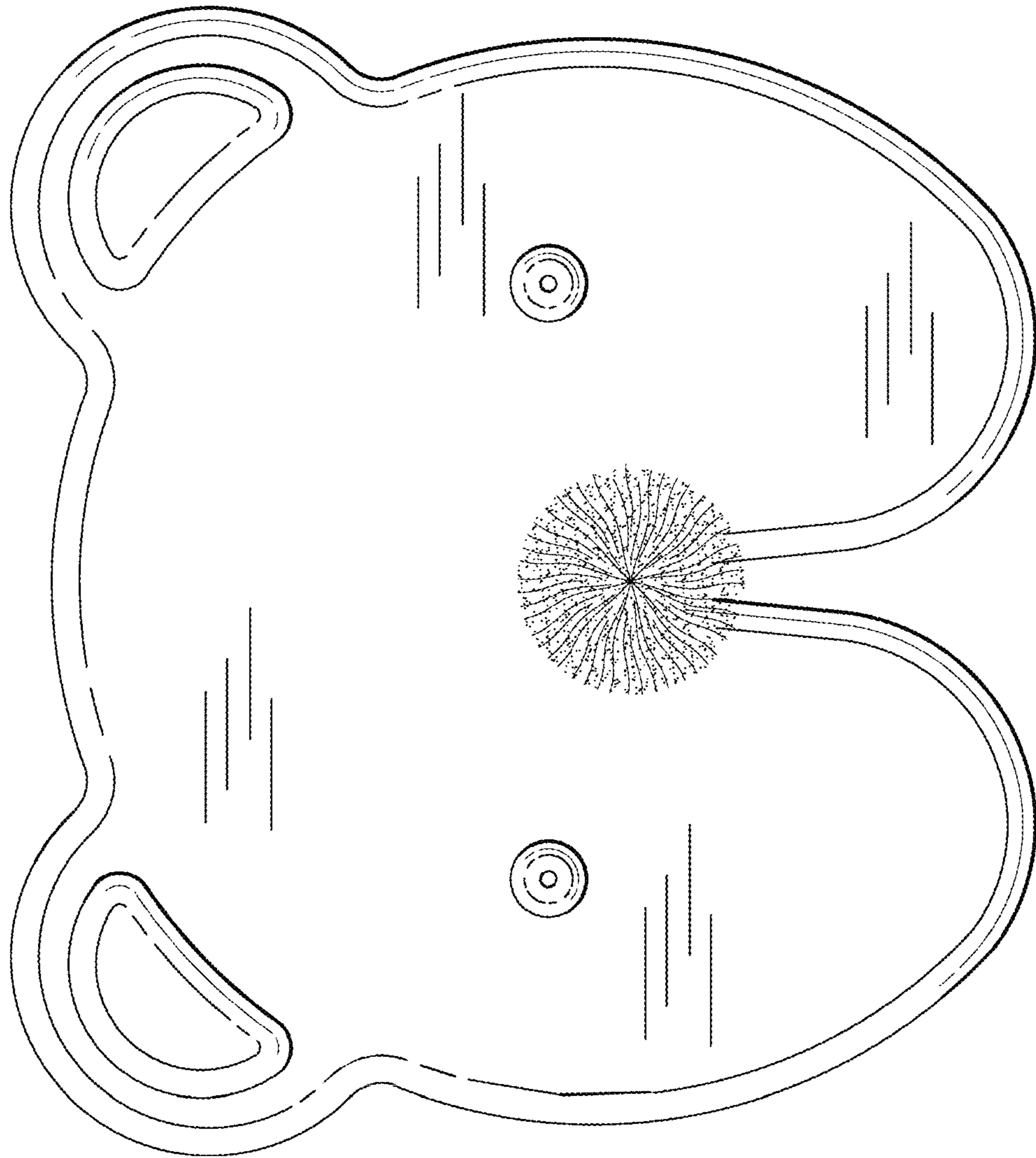
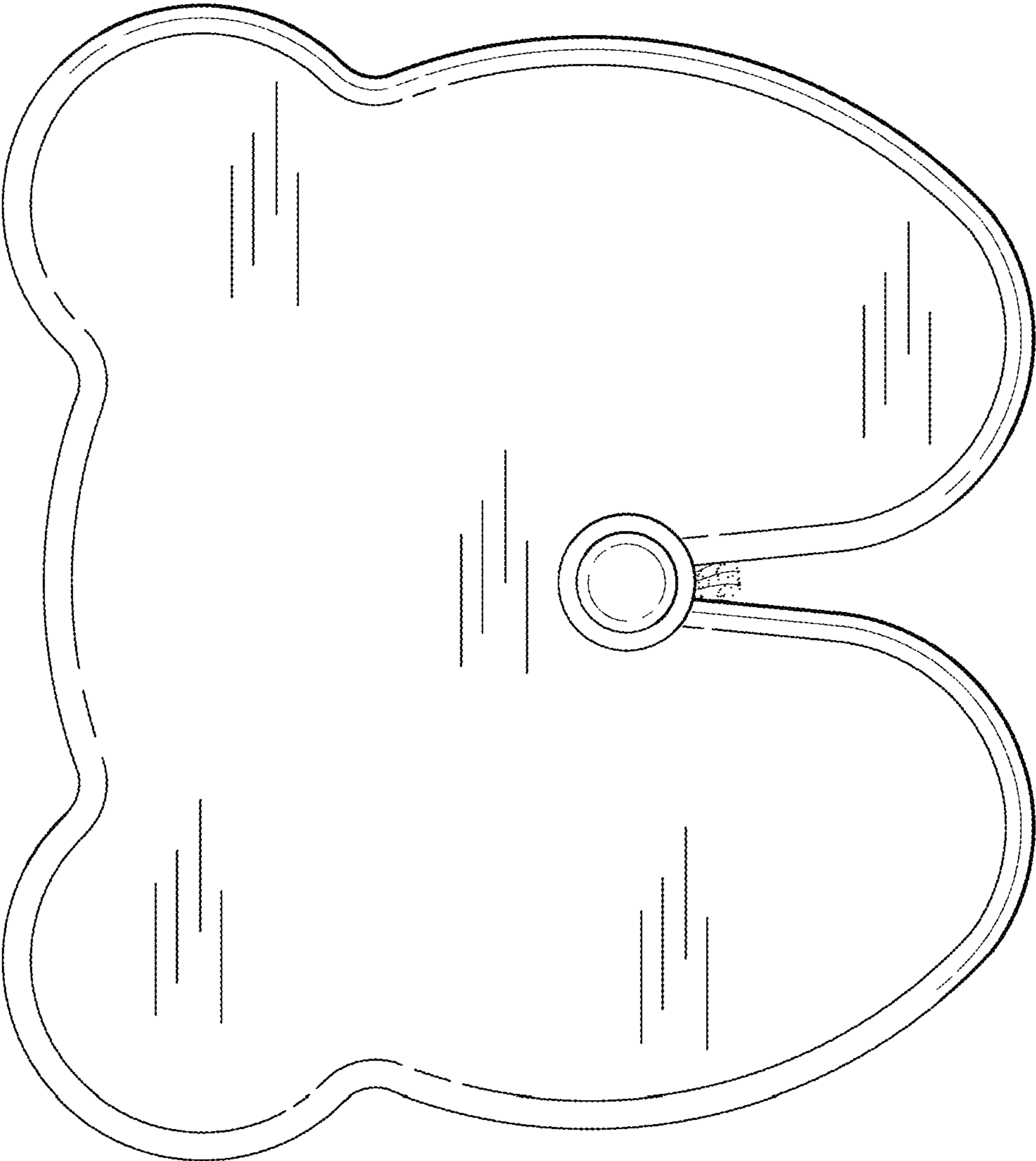


FIG. 3



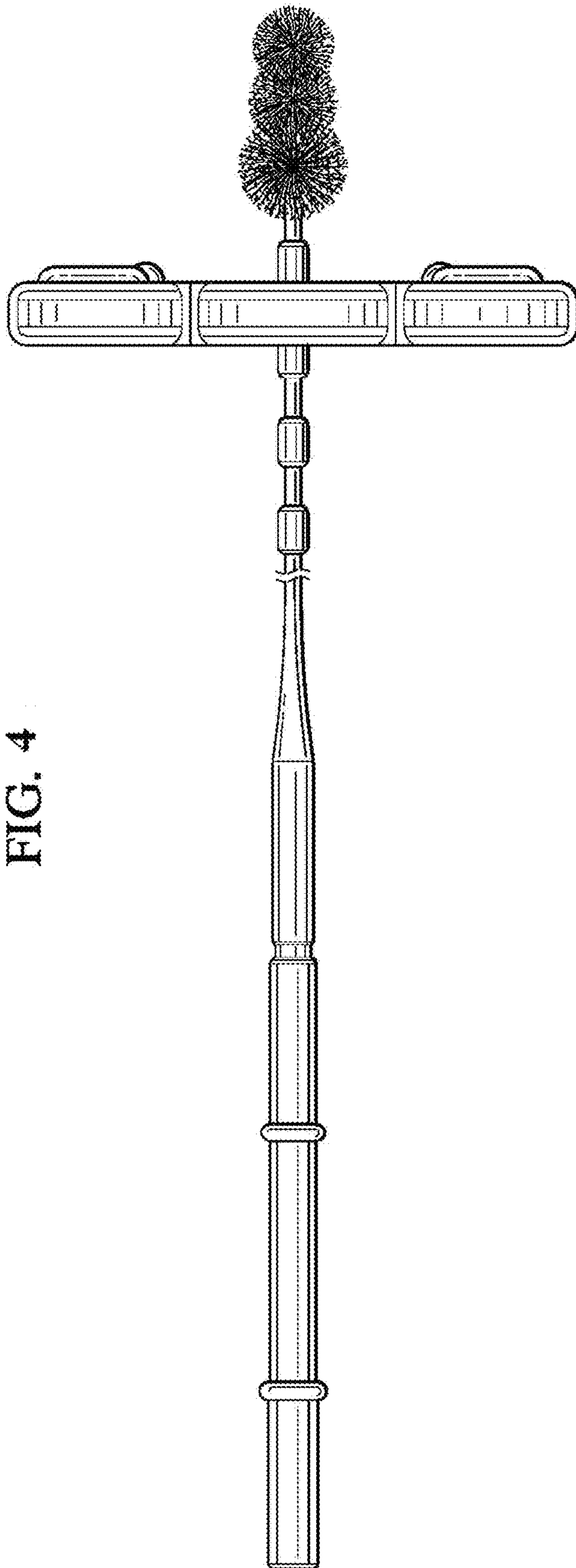


FIG. 4

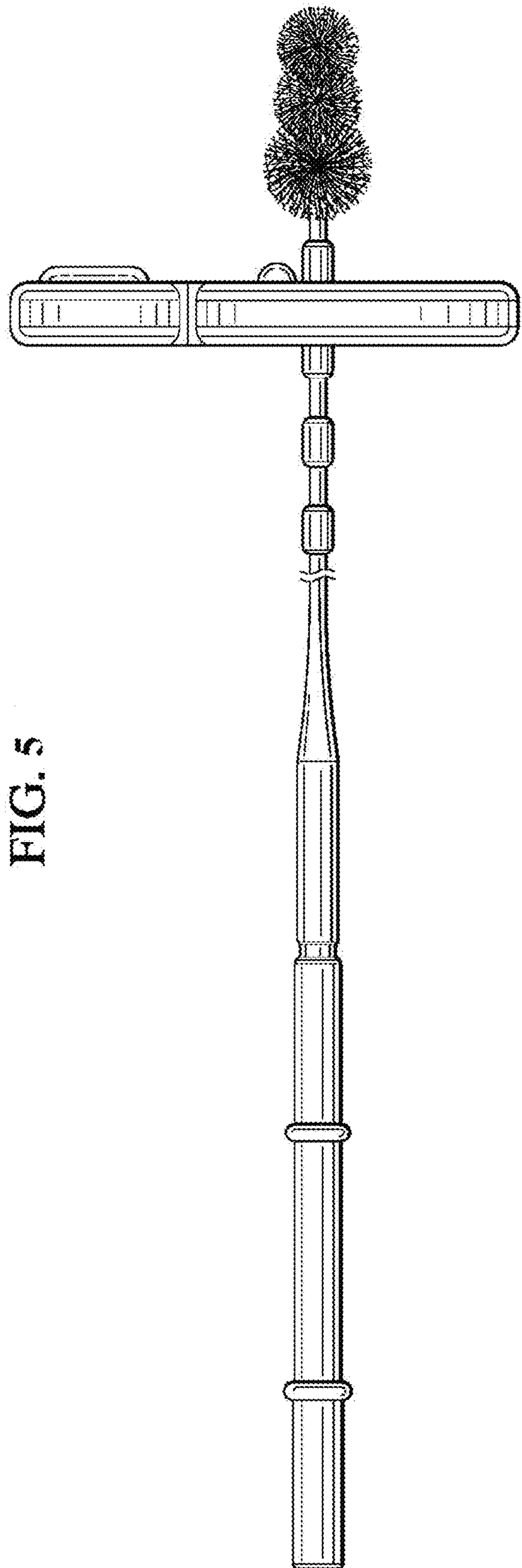


FIG. 5

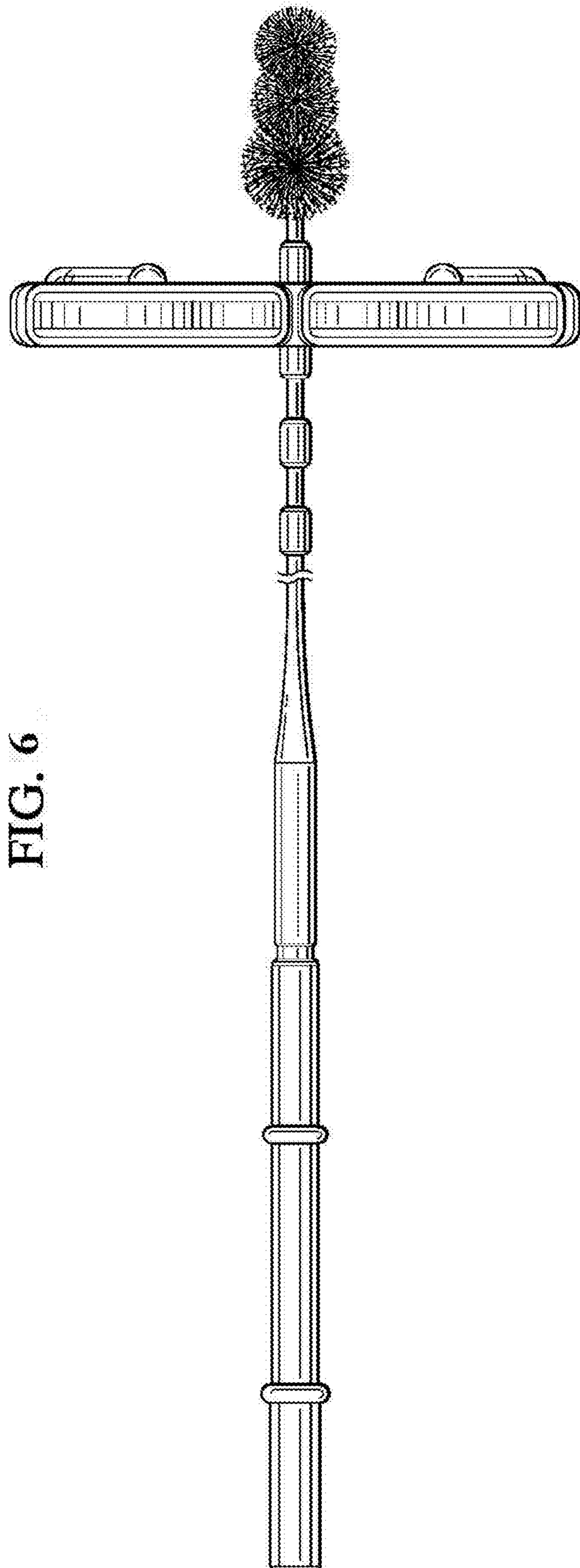


FIG. 6