



US00D975268S

(12) **United States Design Patent** (10) **Patent No.:** **US D975,268 S**  
**Bayer** (45) **Date of Patent:** **\*\* Jan. 10, 2023**

(54) **FACE MASK**

(71) Applicant: **Baytech Products, LLC**, Asheville, NC (US)

(72) Inventor: **Robert T. Bayer**, Asheville, NC (US)

(\*\*) Term: **15 Years**

(21) Appl. No.: **29/772,471**

(22) Filed: **Mar. 2, 2021**

(51) **LOC (14) Cl.** ..... **29-02**

(52) **U.S. Cl.**  
USPC ..... **D24/110.1**

(58) **Field of Classification Search**  
USPC ..... D24/110.1, 110.2, 110.3, 110.4, 110.5,  
D24/110.6, 127, 128, 164; D29/108, 110,  
D29/111, 129; D2/865, 866, 867, 874,  
D2/878, 881, 891

CPC ..... A62B 7/10; A62B 18/00; A62B 23/02;  
A41D 13/11; A41D 13/1107; A41D  
13/113; A41D 31/14; A41D 2600/10;  
A61M 16/06; A42B 3/20; A42V 1/046

See application file for complete search history.

(56) **References Cited**

**U.S. PATENT DOCUMENTS**

D210,181 S *	2/1968	Solomon	.....	D28/44.2
D400,674 S *	11/1998	Miura	.....	D24/110.1
D464,726 S *	10/2002	Wolfe	.....	D24/110.1
D511,209 S *	11/2005	Callan	.....	D24/110.1
D693,062 S *	11/2013	Bowen	.....	D29/108
D700,317 S *	2/2014	Turdjian	.....	D24/110.1
D752,208 S *	3/2016	Fant	.....	D24/110.1
D905,351 S *	12/2020	Zheng	.....	D29/108
2007/0079830 A1 *	4/2007	Edwards, Jr.	.....	A41D 13/1192 128/205.27

(Continued)

**FOREIGN PATENT DOCUMENTS**

CN	305908012	*	7/2020
CN	306184779	*	11/2020
GB	5004363	*	8/2016

**OTHER PUBLICATIONS**

“Gildan: Unisex-adult Reusable 3-layer ear loop face mask.” Found online at Amazon.com. Oct. 18, 2022. Reference dated Aug. 23, 2020. Retrieved from <https://www.amazon.com/Gildan-Adult-Reusable-3-Layer-Cotton/dp/B089ZDLCC4/>.\*

(Continued)

*Primary Examiner* — Kendra Leslie Hamilton

*Assistant Examiner* — Elizabeth S Struble

(74) *Attorney, Agent, or Firm* — The Van Winkle Law Firm; William G. Heedy

(57) **CLAIM**

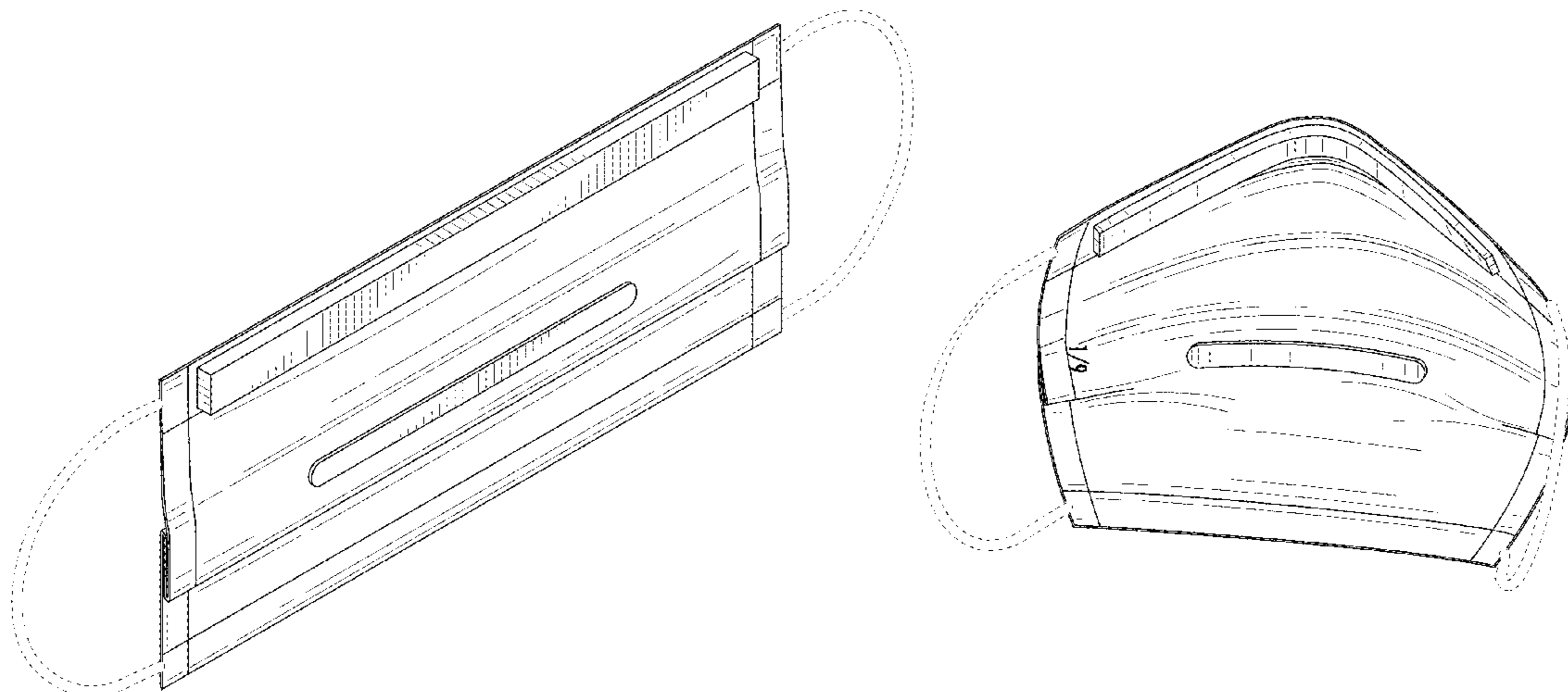
The ornamental design for a face mask, as shown and described.

**DESCRIPTION**

FIG. 1 is a perspective view of a face mask showing my new design, wherein the face mask is in a stowed configuration; FIG. 2 is a front elevational view thereof; FIG. 3 is a rear elevational view thereof; FIG. 4 is a top plan view thereof; FIG. 5 is a bottom plan view thereof; FIG. 6 is a right side view thereof; FIG. 7 is a left side thereof; FIG. 8 is a perspective view of the face mask, wherein the face mask is in an operational configuration; FIG. 9 is a front elevational view thereof; FIG. 10 is a rear elevational view thereof; FIG. 11 is a top plan view thereof; FIG. 12 is a bottom plan view thereof; FIG. 13 is a right side view thereof; and, FIG. 14 is a left side thereof.

The broken lines in the drawings illustrate portions of the face mask that form no part of the claimed design.

**1 Claim, 9 Drawing Sheets**



(56)

**References Cited**

U.S. PATENT DOCUMENTS

2010/0313890 A1\* 12/2010 Messier ..... A61L 9/16  
128/206.19  
2015/0306432 A1\* 10/2015 Orofino ..... A62B 18/025  
29/505  
2019/0320740 A1\* 10/2019 Long ..... A41D 13/1115  
2020/0163392 A1\* 5/2020 Sakurai ..... A41D 13/1115

OTHER PUBLICATIONS

“FriCare: Ecoguard Adult ASTM Level 3 Disposable Face Masks.”  
Found online at Amazon.com. Oct. 18, 2022. Reference dated Jan.  
6, 2021. Retrieved from <https://www.amazon.com/dp/B08S7NF7ZZ/>.\*

“NNPCBT: Kids Face Mask.” Found online at Amazon.com. Oct.  
18, 2022. Reference dated Dec. 23, 2020. Retrieved from <https://www.amazon.com/Disposable-Black-Children-Girls-Earloops/dp/B09Q8SCK2D/>.\*

“Casaba: 50 Pack Multi-Color Disposable Face Masks.” Found  
online at Walmart.com. Sep. 26, 2022. Reference dated Oct. 27,  
2020. Retrieved from <https://www.walmart.com/ip/Casaba-50-Pack-Multi-Color-Disposable-Face-Masks-3-Ply-Made-in-USA-with-Imported-Fabric/516009145?athcpid=5160%E2%80%A6>.\*

\* cited by examiner

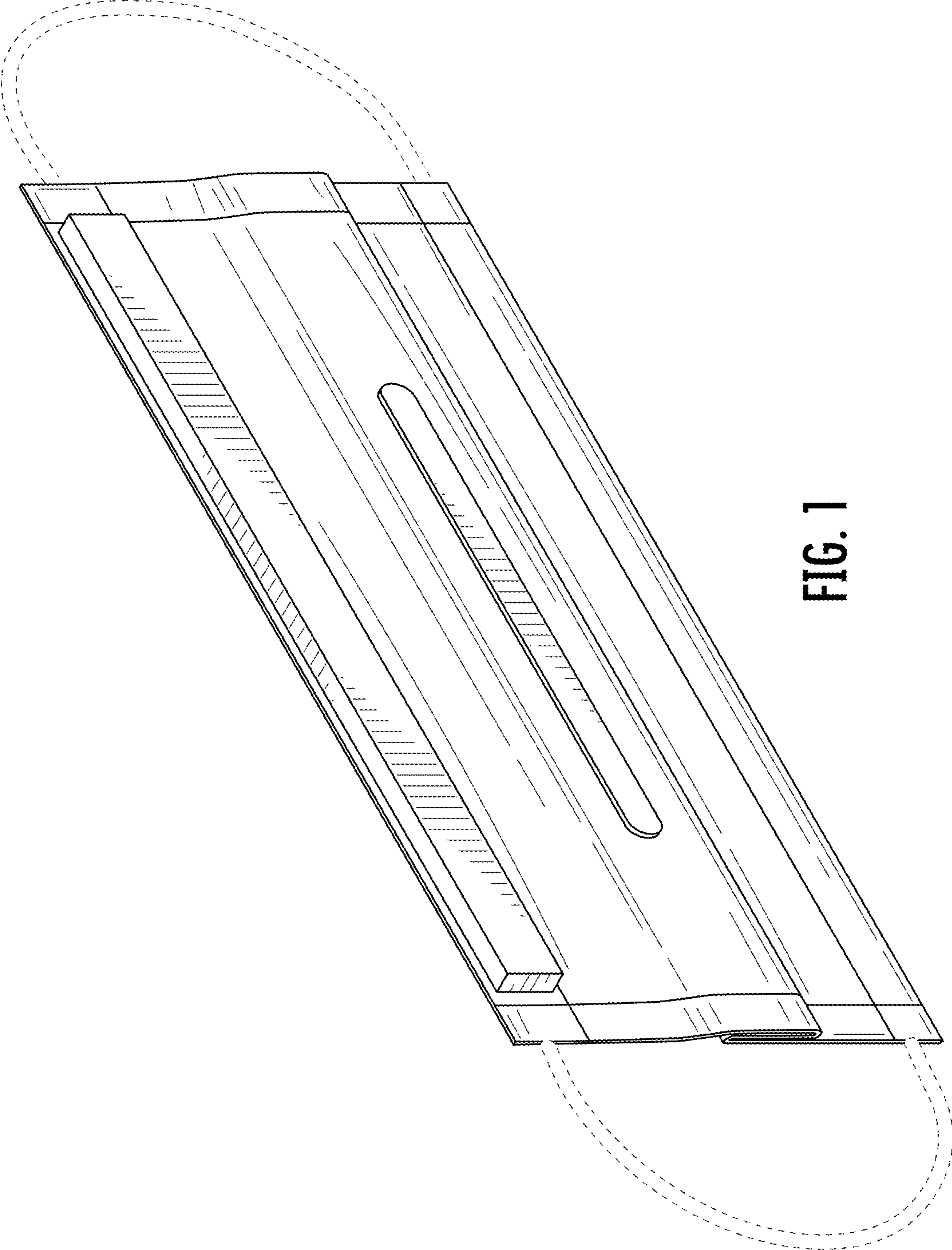


FIG. 1

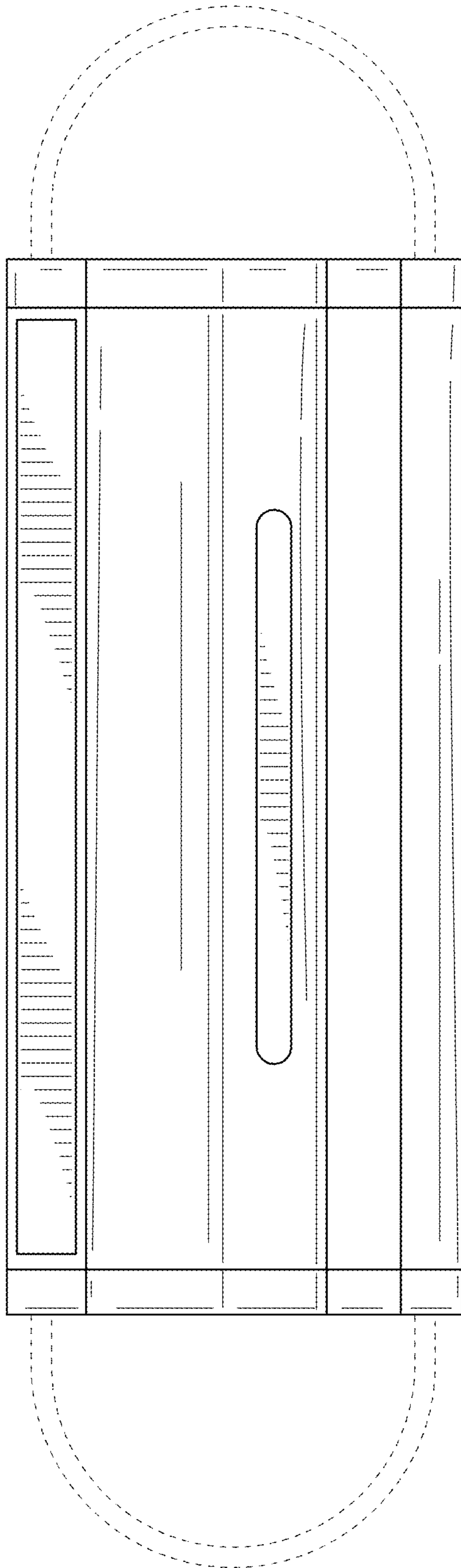


FIG. 2

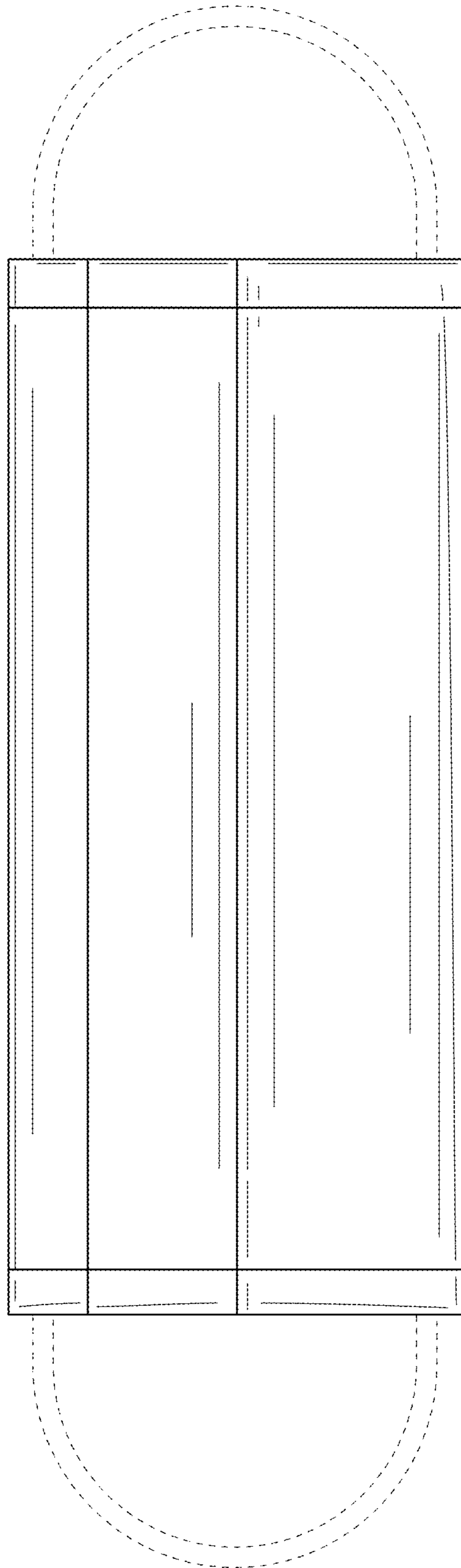


FIG. 3

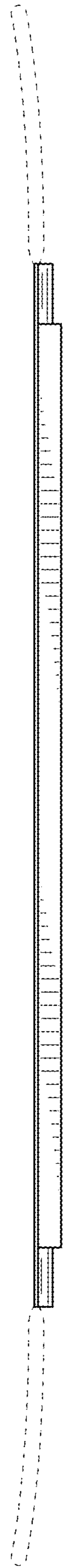


FIG. 4

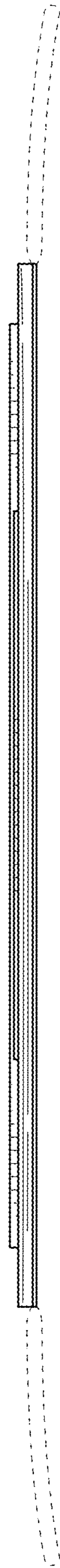


FIG. 5

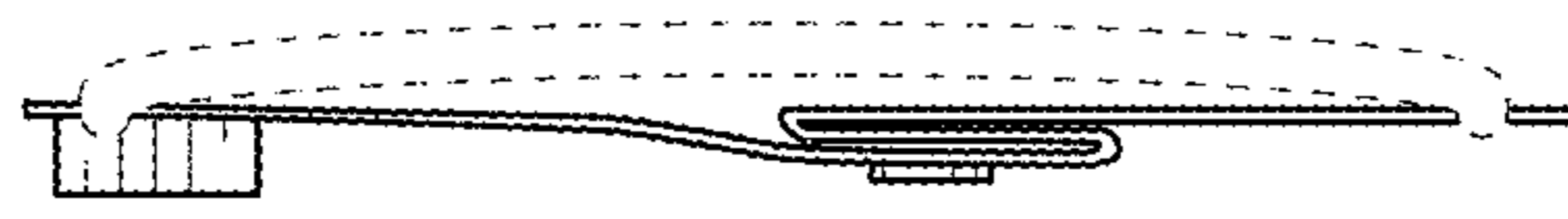


FIG. 7

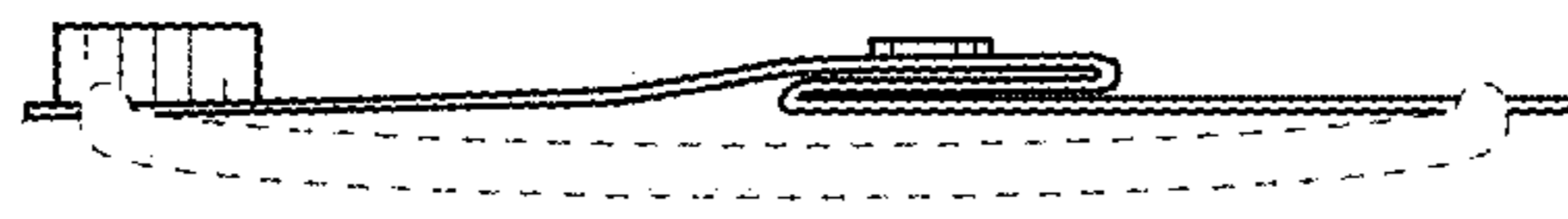


FIG. 6

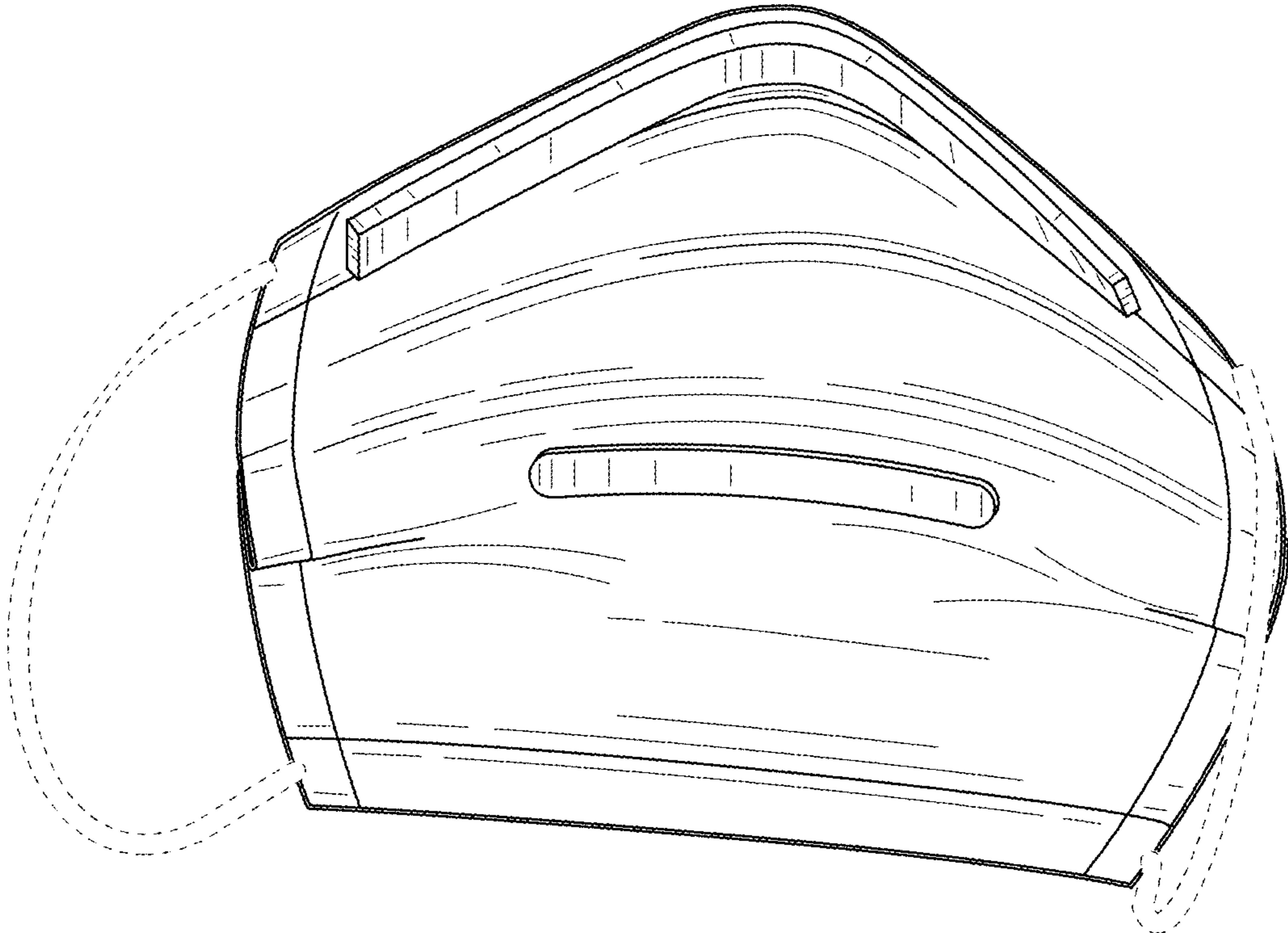


FIG. 8



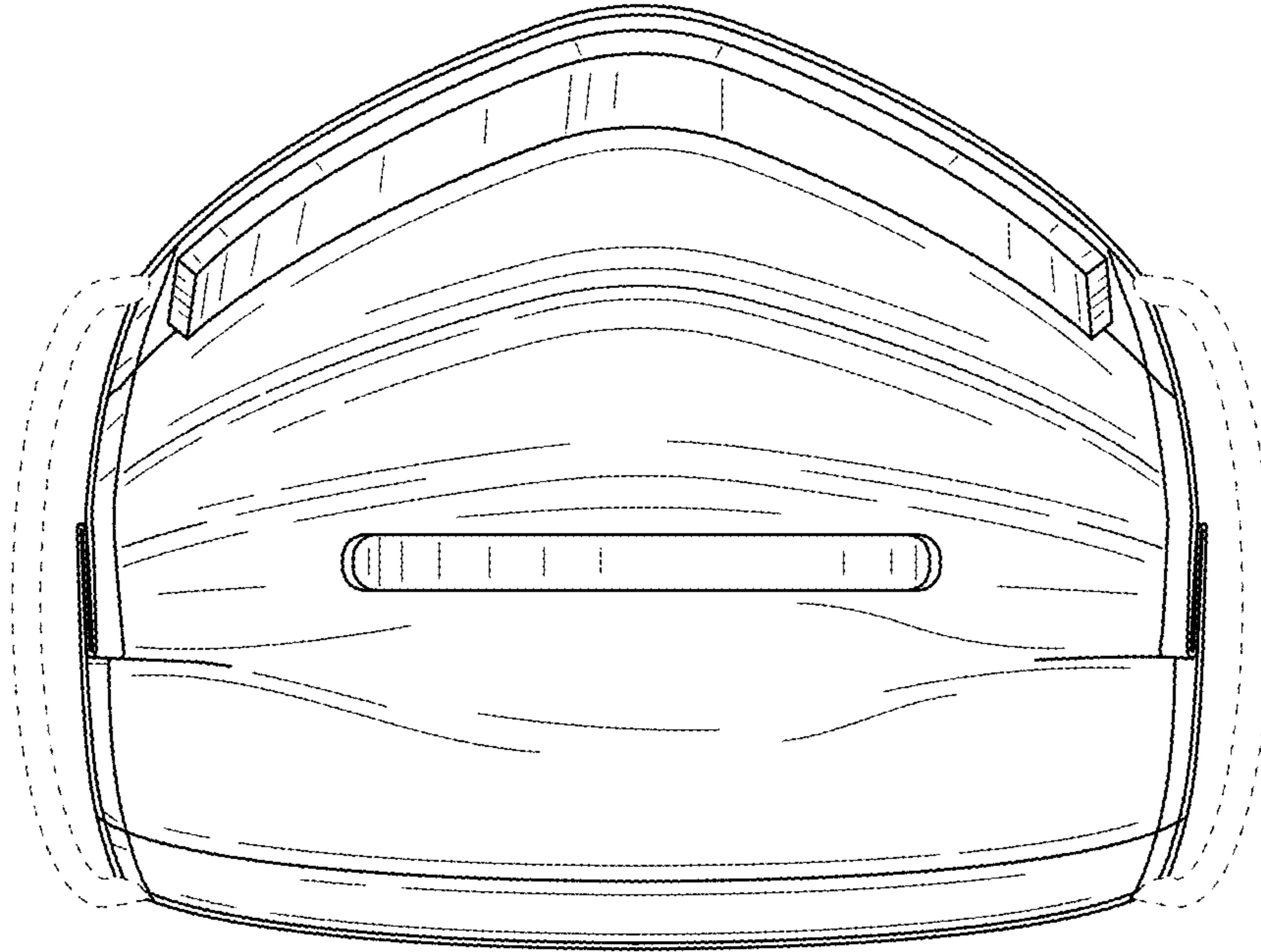


FIG. 9

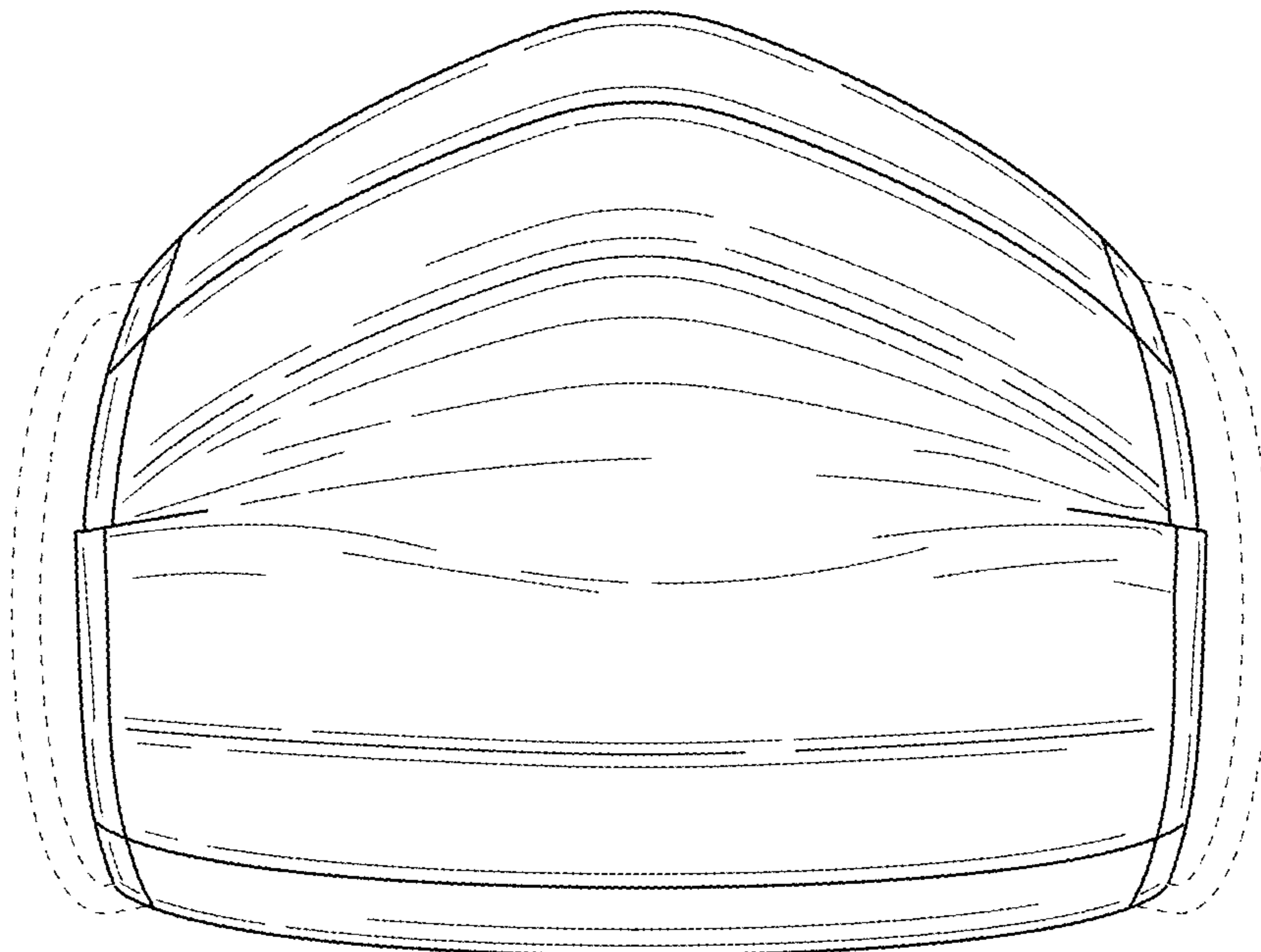


FIG. 10

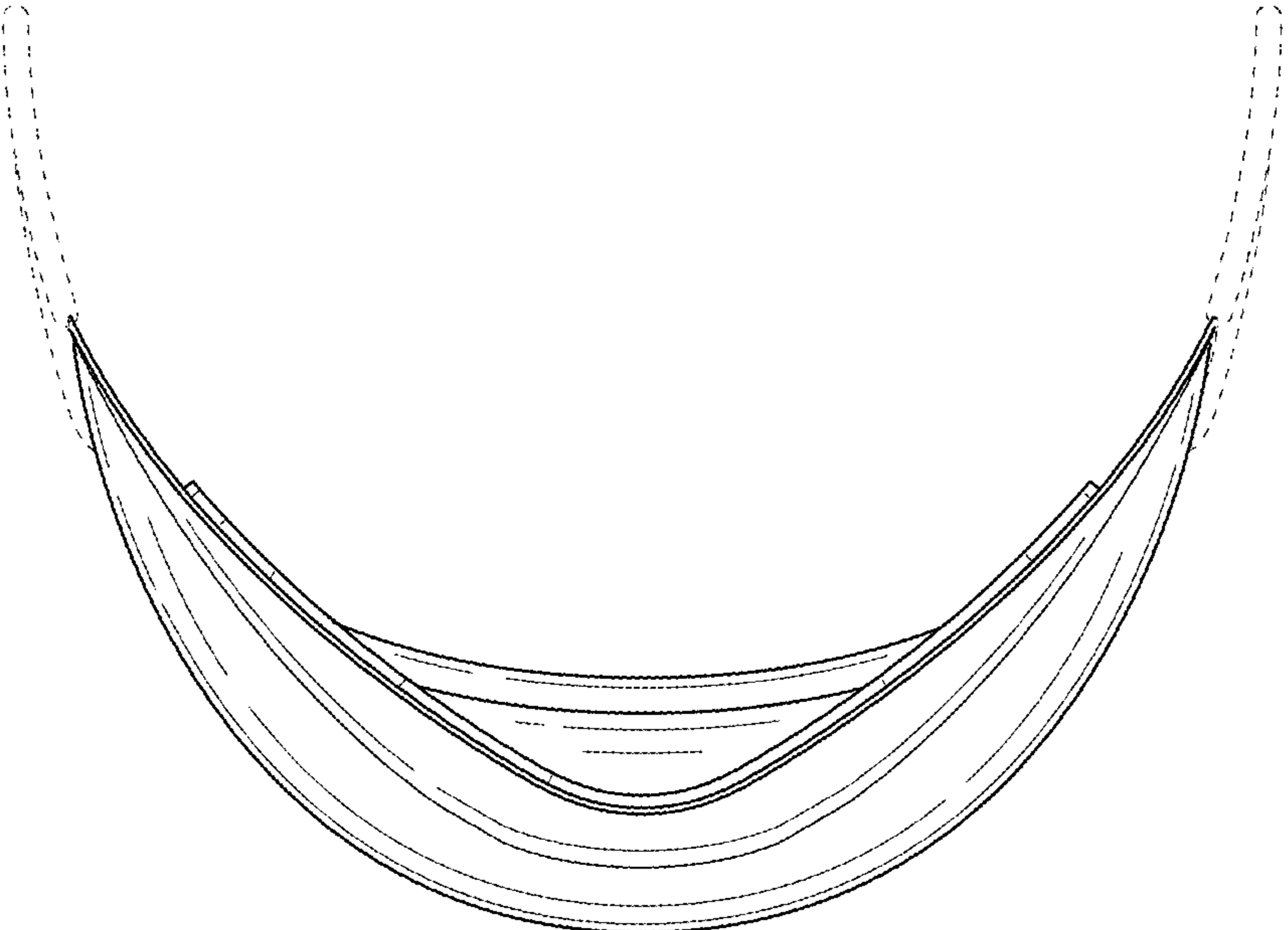


FIG. 11

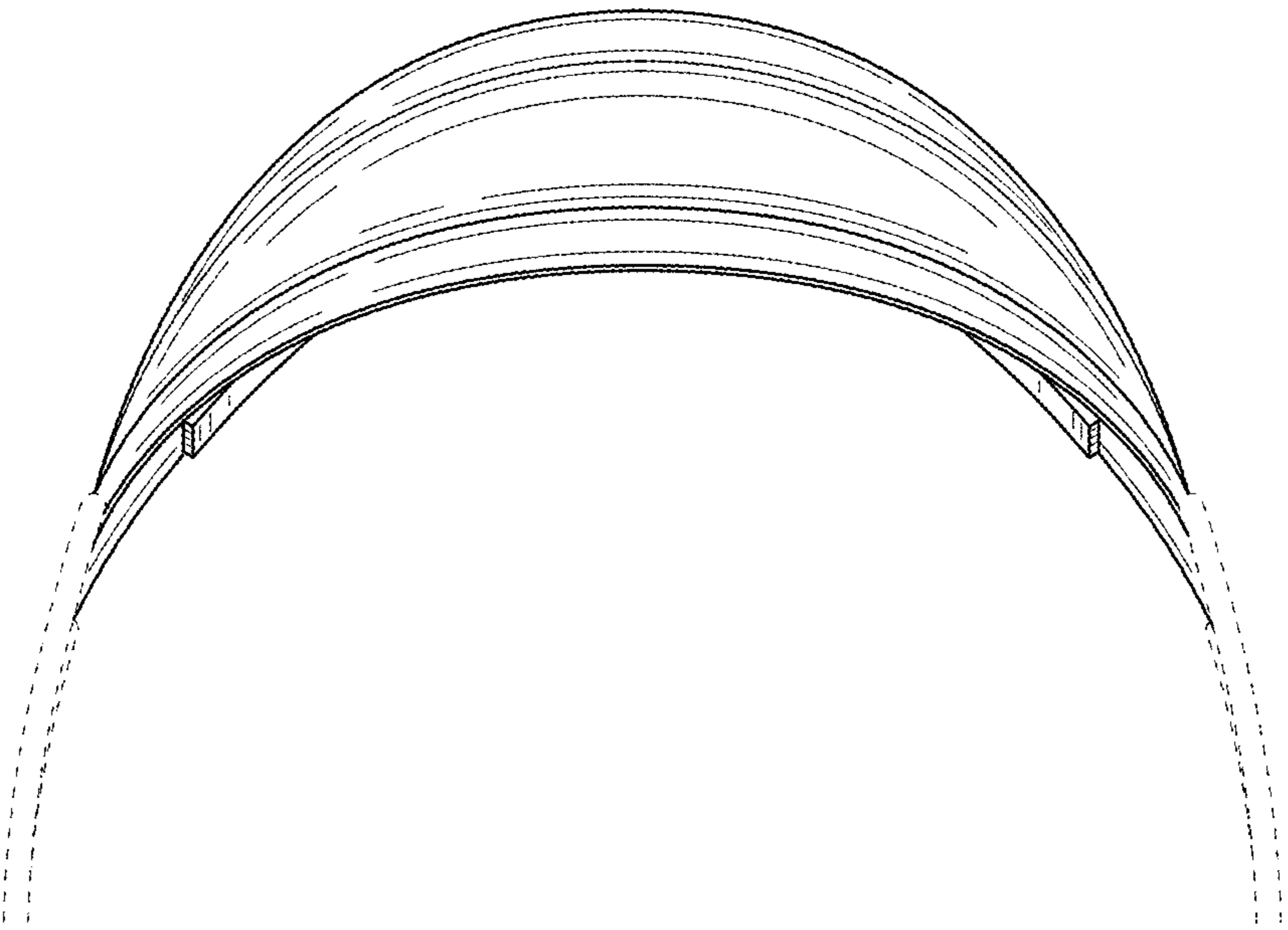


FIG. 12

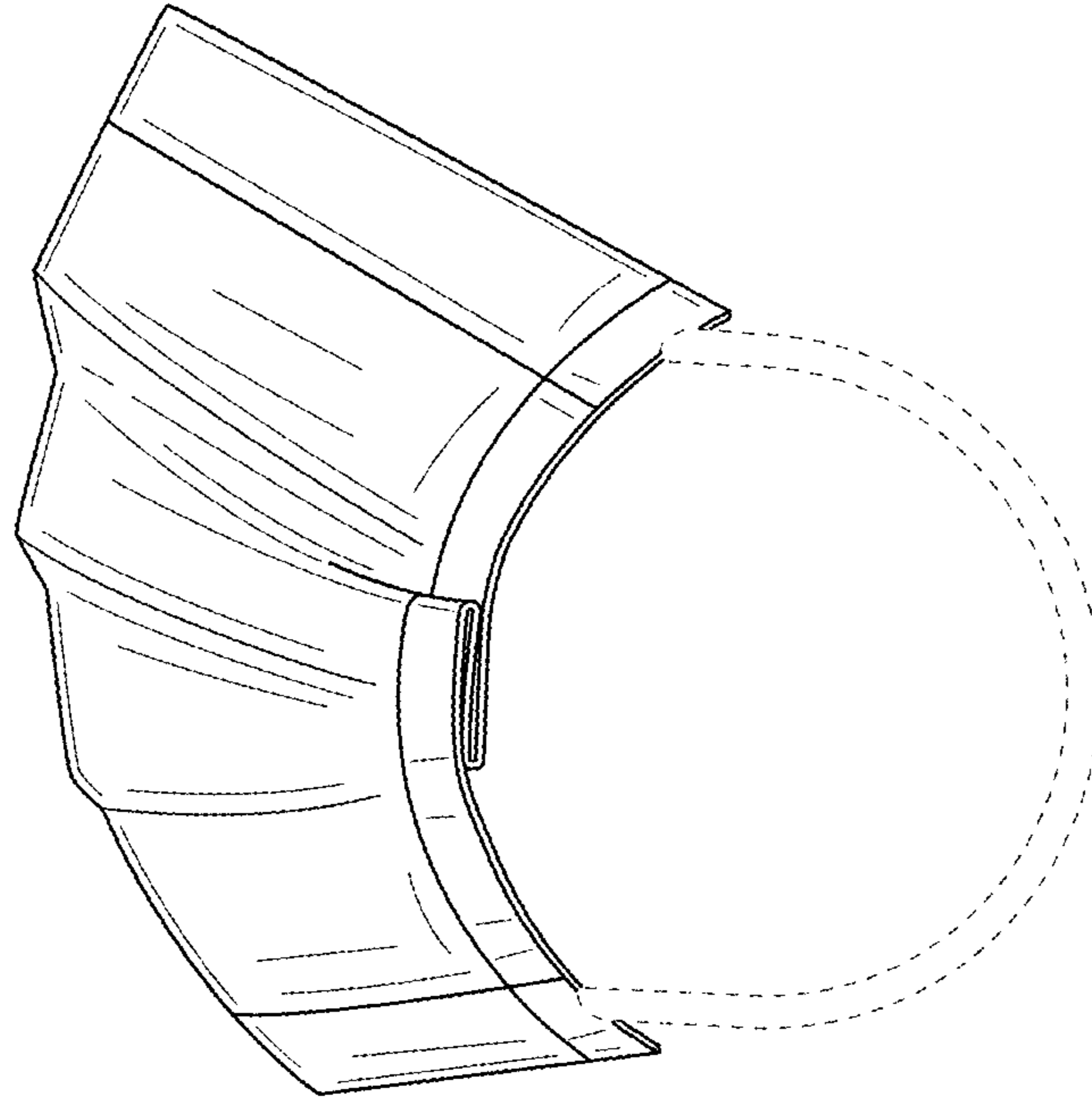


FIG. 13

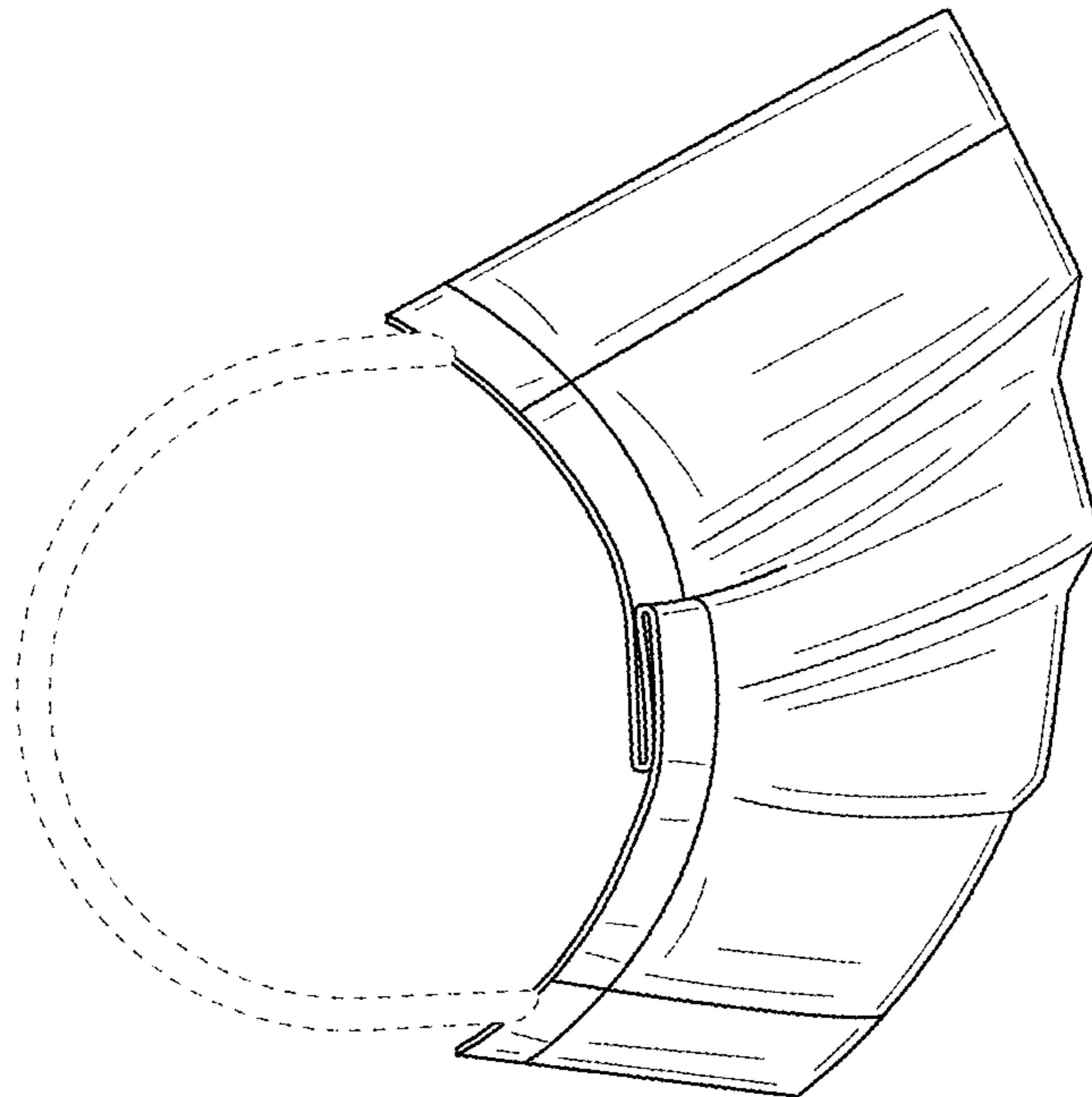


FIG. 14