



US00D975265S

(12) **United States Design Patent** (10) **Patent No.:** **US D975,265 S**  
**Jaanus et al.** (45) **Date of Patent:** **\*\* Jan. 10, 2023**

(54) **DISPENSER FOR AN AIR TREATMENT COMPOSITION**

261/88; Y10S 261/89; H04B 1/3877; F24F 6/00; F24F 6/06; F24F 1/00; F24F 1/02; F24F 1/022

(71) Applicant: **Reckitt & Colman (Overseas) Hygiene Home Limited**, Slough (GB)

See application file for complete search history.

(72) Inventors: **Anna Jaanus**, Warwick (GB); **Akira Naidu**, Hull (GB); **David Sanders**, Warwick (GB); **Christopher Brian Witty**, Hull (GB); **Simon Woolley**, Hull (GB)

(56) **References Cited**

U.S. PATENT DOCUMENTS

3,687,424	A	*	8/1972	Katzman	.....	F24F 6/06
						261/119.1
D268,613	S	*	4/1983	Beacham	.....	D9/503
D270,468	S	*	9/1983	Hoyt	.....	D23/369
D275,222	S	*	8/1984	Hoyt	.....	D23/369
D279,216	S	*	6/1985	Mango	.....	D23/362
4,630,775	A	*	12/1986	Mandon	.....	A61L 9/12
						D23/366
D289,920	S	*	5/1987	O'Neil, Jr.	.....	D23/366
D492,020	S	*	6/2004	Sevy	.....	D23/366
D509,893	S	*	9/2005	Sevy	.....	D23/366
D621,495	S	*	8/2010	Li	.....	D23/366
D910,823	S	*	2/2021	Zou	.....	D23/356

(73) Assignee: **Reckitt & Colman (Overseas) Hygiene Home Limited**, Bershire (GB)

(\*\*) Term: **15 Years**

(21) Appl. No.: **29/806,856**

(22) Filed: **Sep. 7, 2021**

(30) **Foreign Application Priority Data**

Mar. 17, 2021 (EM) ..... 008465348-0002

(51) **LOC (14) Cl.** ..... **23-04**

(52) **U.S. Cl.**  
USPC ..... **D23/366**

(58) **Field of Classification Search**  
USPC ..... D23/213, 314, 332-336, 341, 355-369, D23/370, 378; D26/26, 40, 46, 49, 97, D26/123, 124; D14/125, 195, 204, 221, D14/228, 240, 253, 348, 350, 358, 496; D12/415; D21/332; D11/143, 146, 152, D11/153  
CPC ..... A61L 9/03; A61L 9/04; A61L 9/05; A61L 9/12; A61L 9/14; A61L 9/012; A61L 9/015; A61L 9/048; A61L 9/122; A61L 9/127; A61L 2209/11; A61L 2209/14; A61L 2209/133; Y10S 261/17; Y10S

\* cited by examiner

*Primary Examiner* — Gino Colan

*Assistant Examiner* — David OBrien

(74) *Attorney, Agent, or Firm* — Norris McLaughlin PA

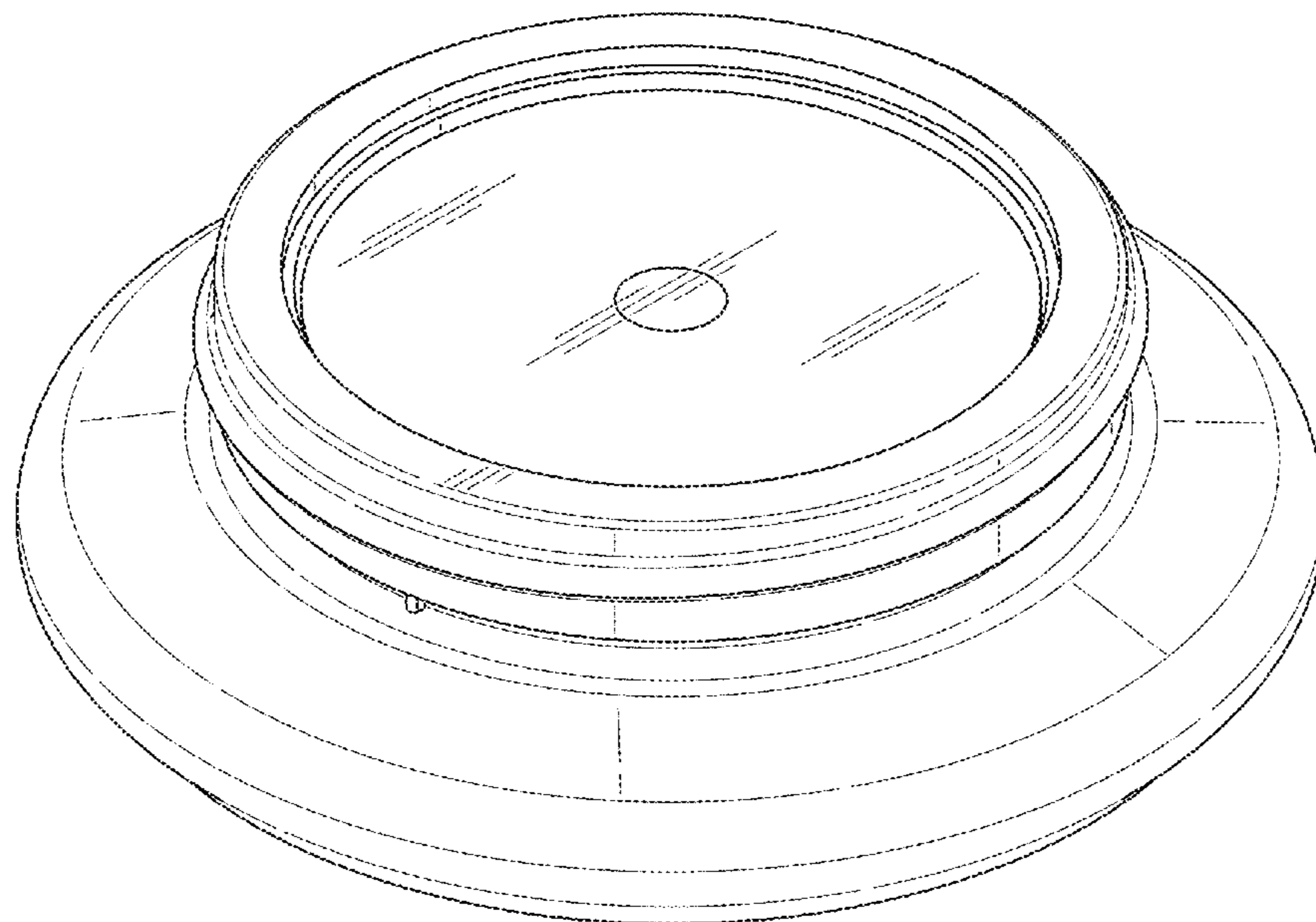
(57) **CLAIM**

The ornamental design for a dispenser for an air treatment composition, as shown and described.

**DESCRIPTION**

FIG. 1 is a perspective view of the dispenser for an air treatment composition;  
FIG. 2 is a first elevational view thereof;  
FIG. 3 is a second elevational view thereof;  
FIG. 4 is a third elevational view thereof;  
FIG. 5 is a fourth elevational view thereof;  
FIG. 6 is a top plan view thereof; and,  
FIG. 7 is a bottom plan view thereof.

**1 Claim, 5 Drawing Sheets**



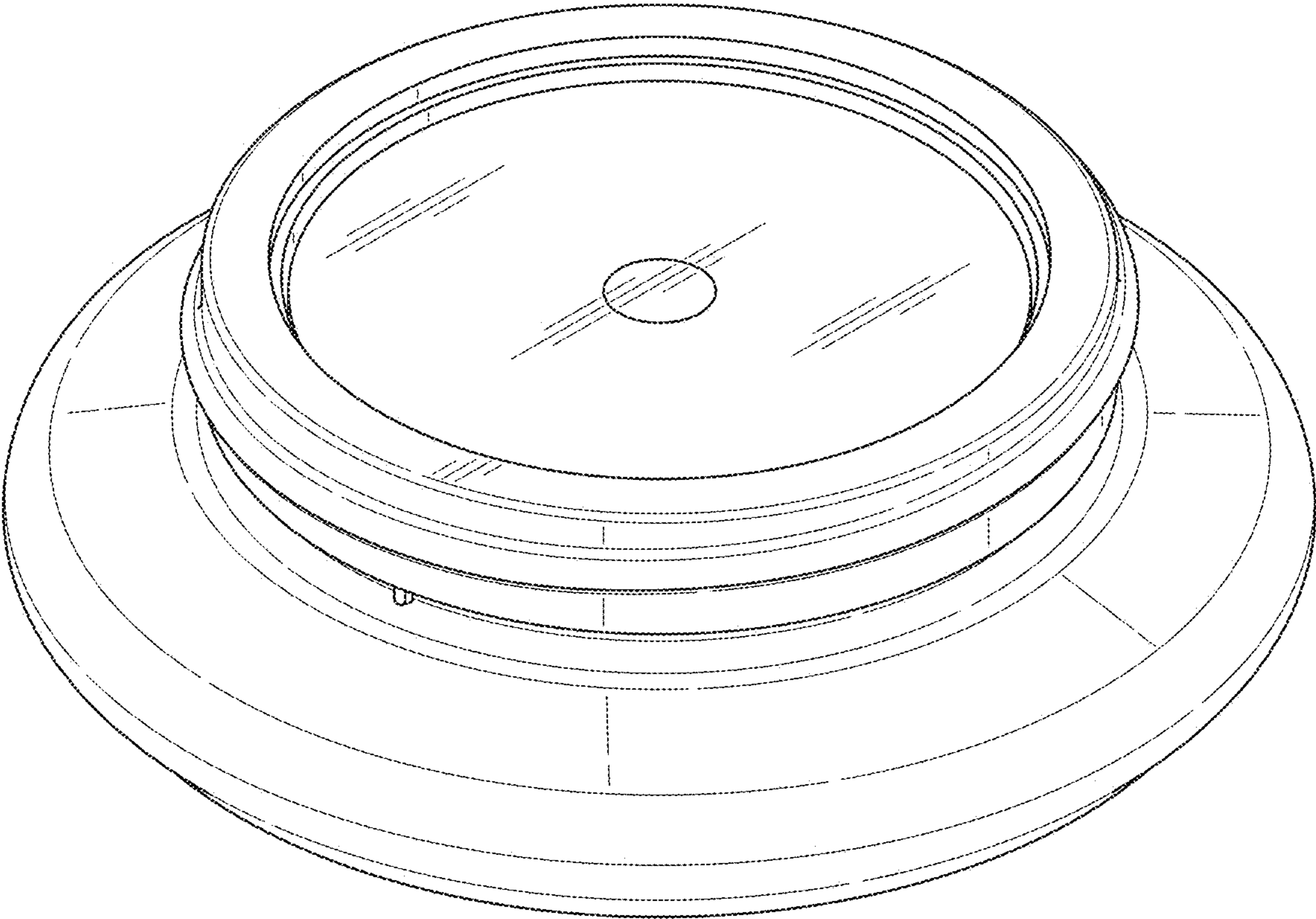


Fig. 1

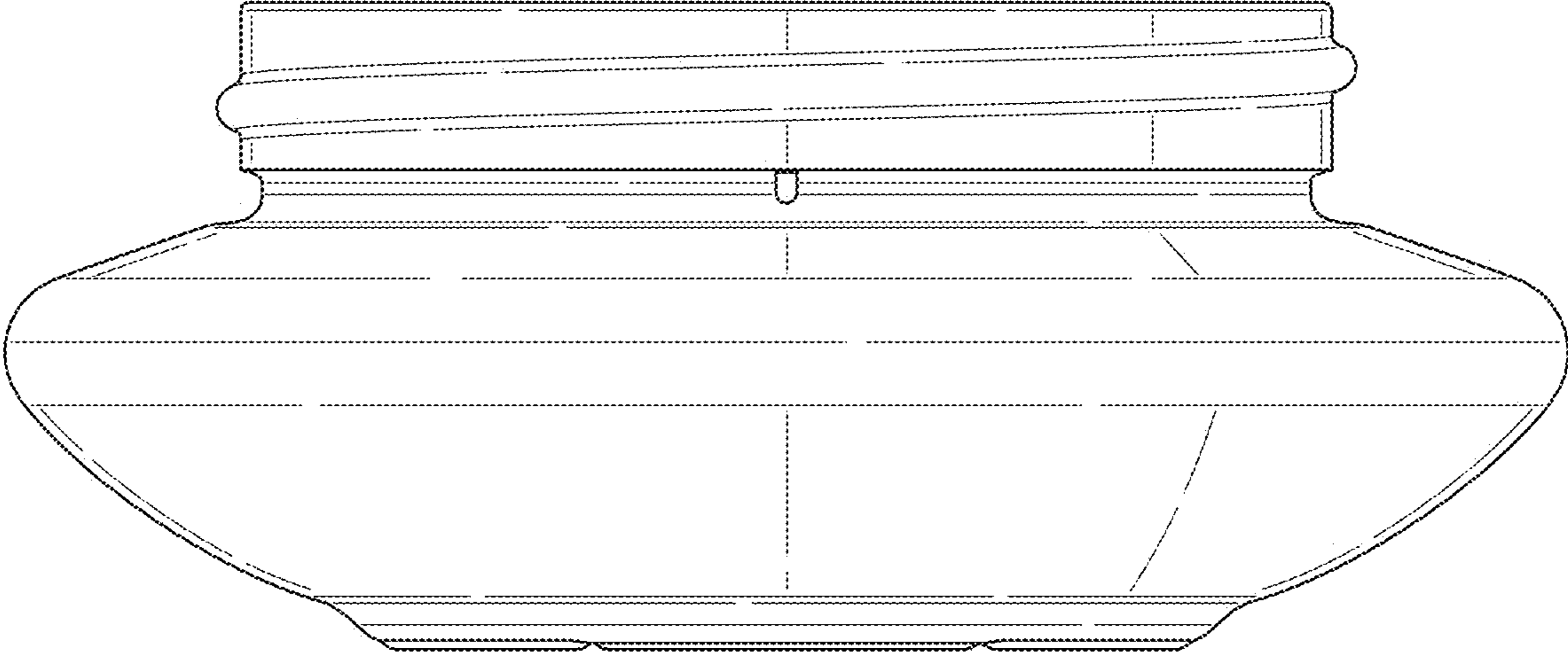


Fig. 2

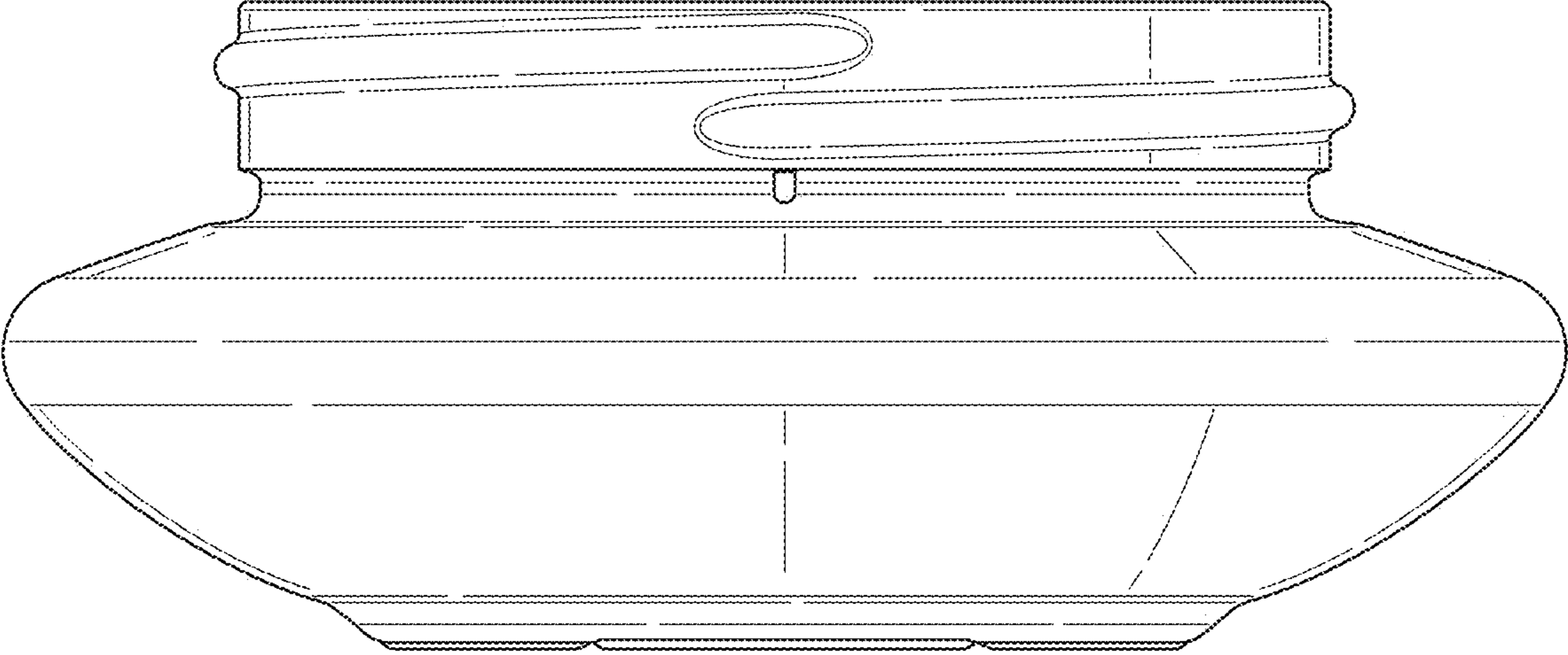


Fig. 3

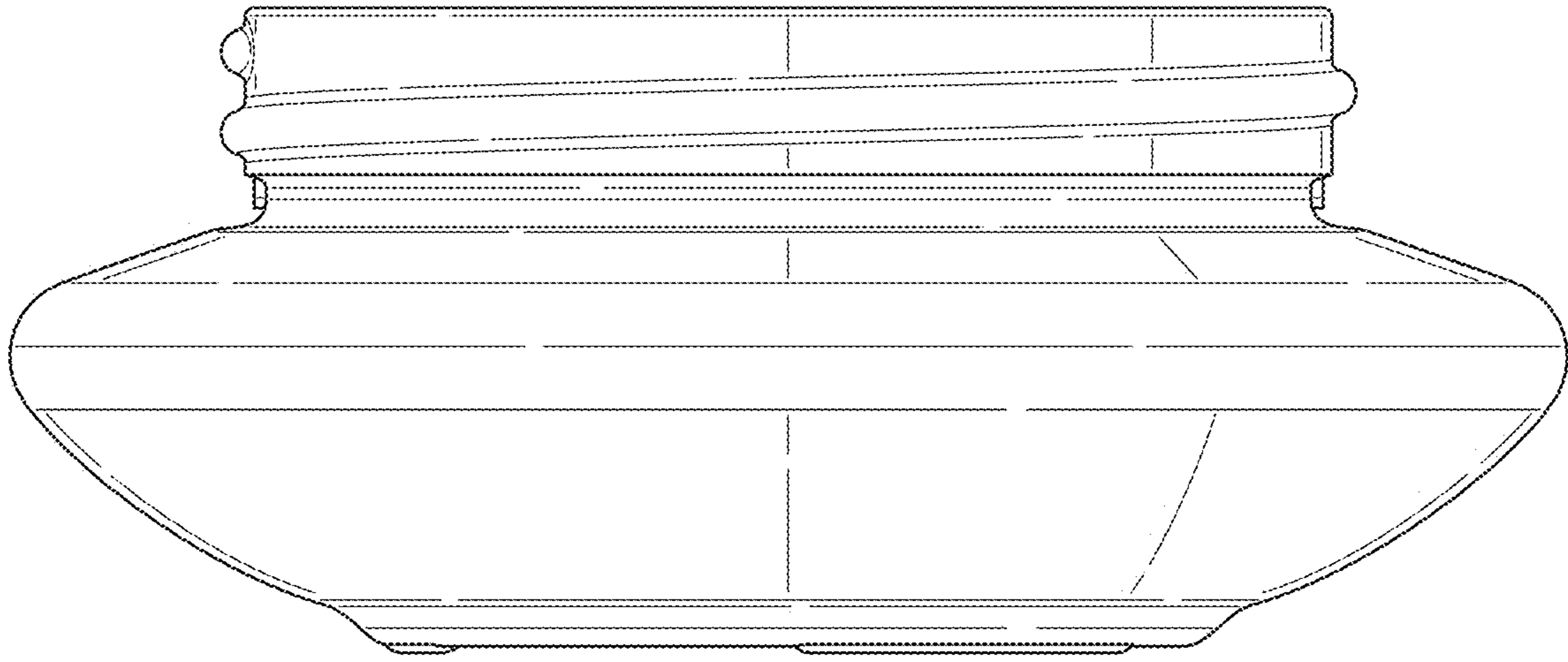


Fig. 4

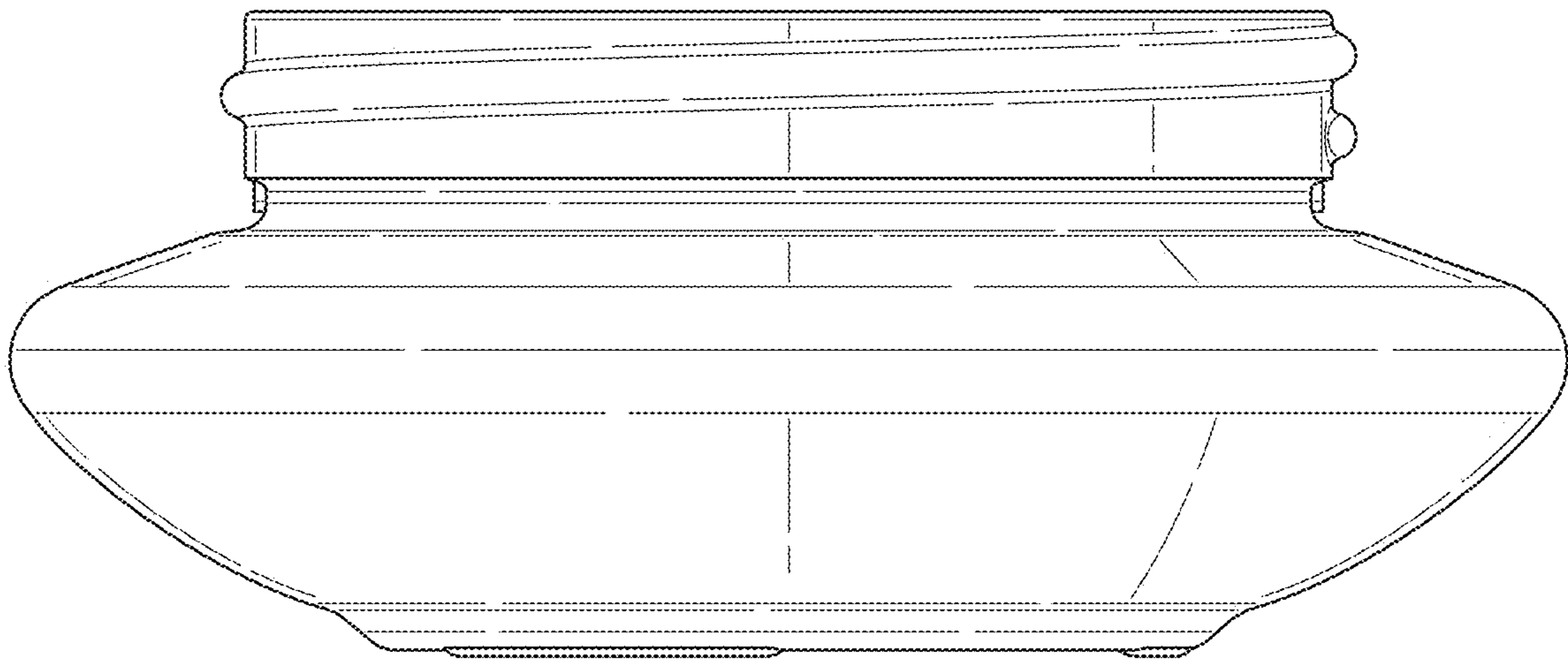


Fig. 5

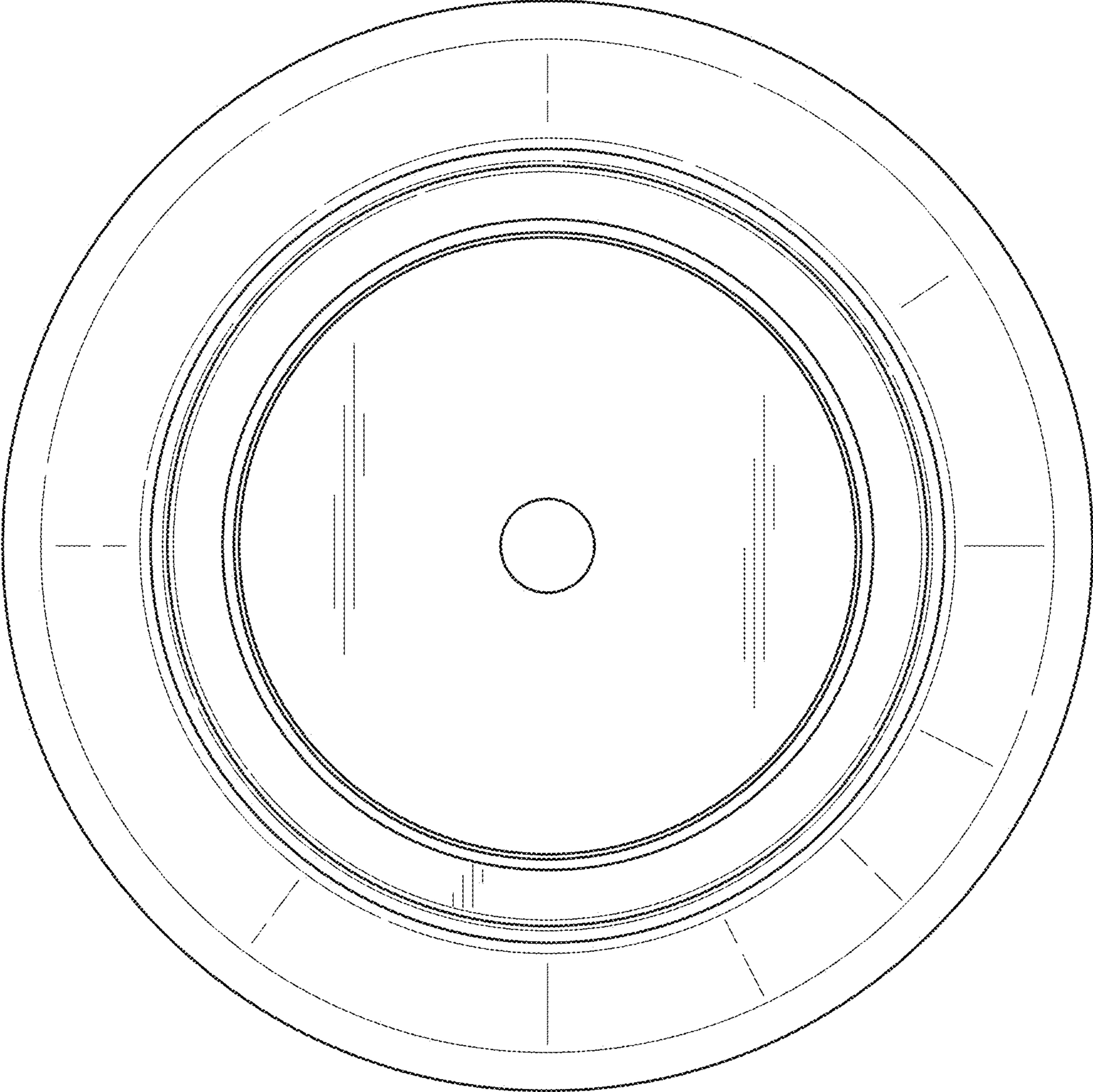


Fig. 6

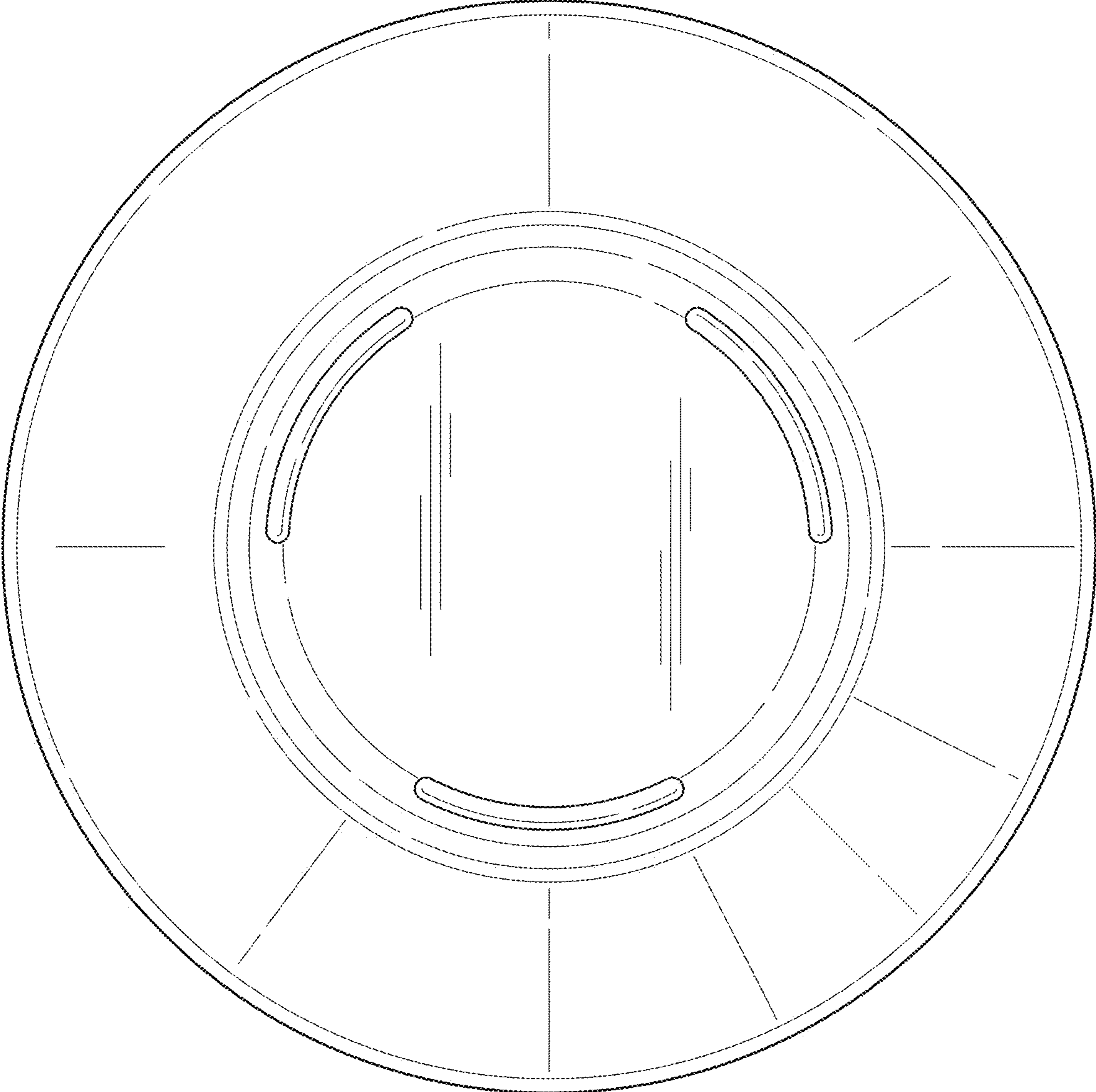


Fig. 7