



US00D975264S

(12) **United States Design Patent** (10) **Patent No.:** **US D975,264 S**
Jaanus et al. (45) **Date of Patent:** **** Jan. 10, 2023**

(54) **DISPENSER FOR AN AIR TREATMENT COMPOSITION**

(71) Applicant: **Reckitt & Colman (Overseas)**
Hygiene Home Limited, Slough (GB)

(72) Inventors: **Anna Jaanus, Warwick (GB); Akira Naidu, Hull (GB); David Sanders, Warwick (GB); Christopher Brian Witty, Hull (GB); Simon Woolley, Hull (GB)**

(73) Assignee: **Reckitt & Colman (Overseas)**
Hygiene Home Limited, Slough (GB)

(**) Term: **15 Years**

(21) Appl. No.: **29/806,853**

(22) Filed: **Sep. 7, 2021**

(51) **LOC (14) Cl.** **23-04**

(52) **U.S. Cl.**
 USPC **D23/366**

(58) **Field of Classification Search**
 USPC D23/213, 314, 332-336, 341, 355-369, D23/370, 378; D26/26, 40, 46, 49, 97, D26/123, 124; D14/125, 195, 204, 221, D14/228, 240, 253, 348, 350, 358, 496; D12/415; D21/332; D11/143, 146, 152, D11/153
 CPC A61L 9/03; A61L 9/04; A61L 9/05; A61L 9/12; A61L 9/14; A61L 9/012; A61L 9/015; A61L 9/048; A61L 9/122; A61L 9/127; A61L 2209/11; A61L 2209/14; A61L 2209/133; Y10S 261/17; Y10S 261/88; Y10S 261/89; H04B 1/3877; F24F 6/00; F24F 6/06; F24F 1/00; F24F 1/02; F24F 1/022

See application file for complete search history.

(56) **References Cited**

U.S. PATENT DOCUMENTS

3,687,424 A *	8/1972	Katzman	A61L 9/14 261/119.1
D254,930 S *	5/1980	Mandon	D23/369
D254,931 S *	5/1980	Mandon	D23/369
D268,361 S *	3/1983	von Philipp	D23/369
D268,613 S *	4/1983	Beacham	D23/369
D270,468 S *	9/1983	Hoyt	D23/369
D275,126 S *	8/1984	Tse	D23/364
D275,222 S *	8/1984	Hoyt	D23/369
D279,216 S *	6/1985	Mango	D23/362
4,630,775 A *	12/1986	Mandon	A61L 9/12 D23/366
D289,919 S *	5/1987	O'Neil, Jr.	D23/366
D289,920 S *	5/1987	O'Neil, Jr.	D23/366
D492,020 S *	6/2004	Sevy	D23/366
D509,893 S *	9/2005	Sevy	D23/366
D621,495 S *	8/2010	Li	D23/366
D910,823 S *	2/2021	Zou	D23/356

* cited by examiner

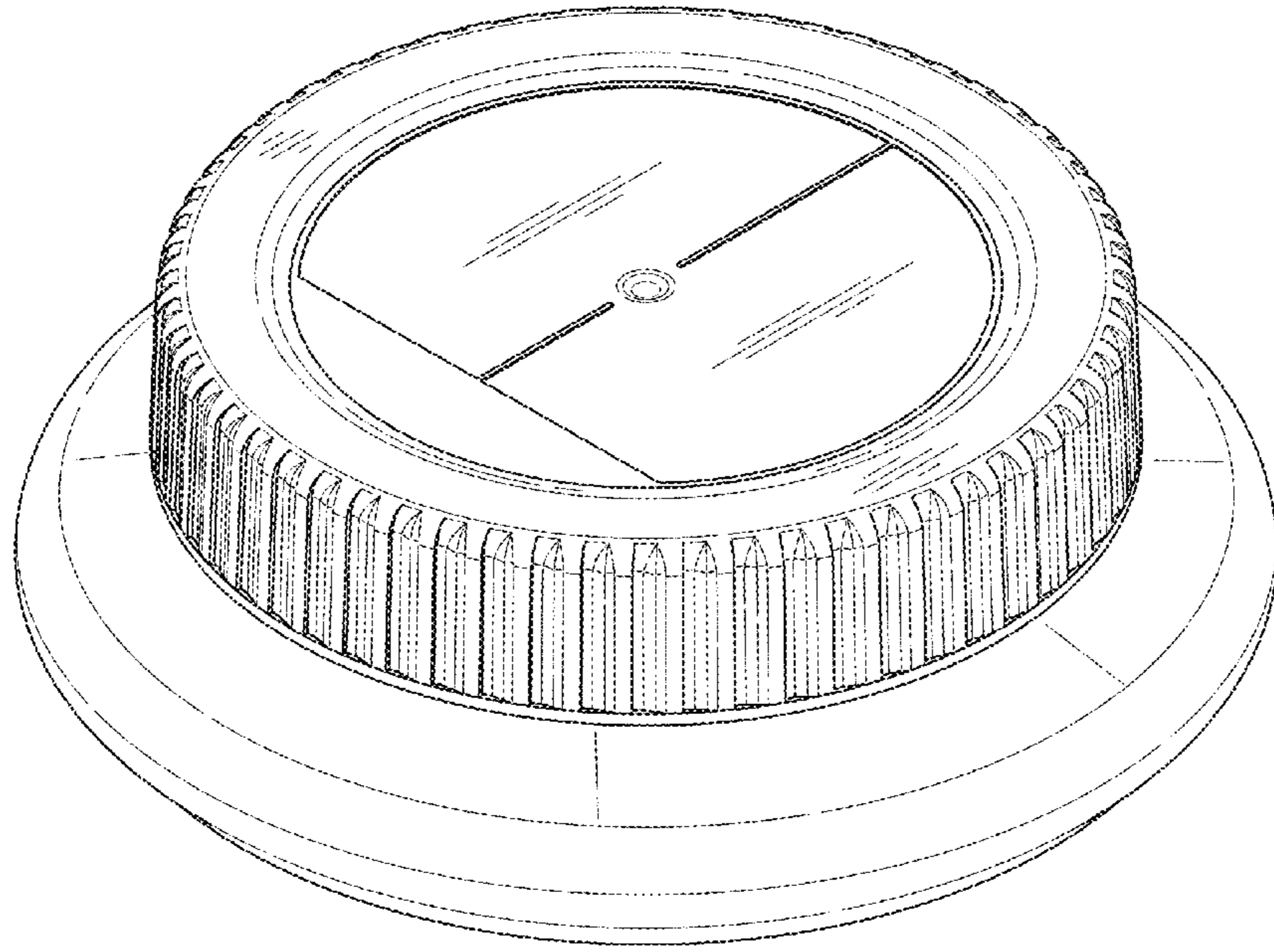
Primary Examiner — Gino Colan
Assistant Examiner — David OBrien
 (74) *Attorney, Agent, or Firm* — Norris McLaughlin PA

(57) **CLAIM**
 The ornamental design for a dispenser for an air treatment composition, as shown and described.

DESCRIPTION

FIG. 1 is a perspective view of the dispenser for an air treatment composition;
 FIG. 2 is a first elevational view thereof;
 FIG. 3 is a second elevational view thereof;
 FIG. 4 is a third elevational view thereof;
 FIG. 5 is a fourth elevational view thereof;
 FIG. 6 is a top plan view thereof; and,
 FIG. 7 is a bottom plan view thereof.

1 Claim, 5 Drawing Sheets



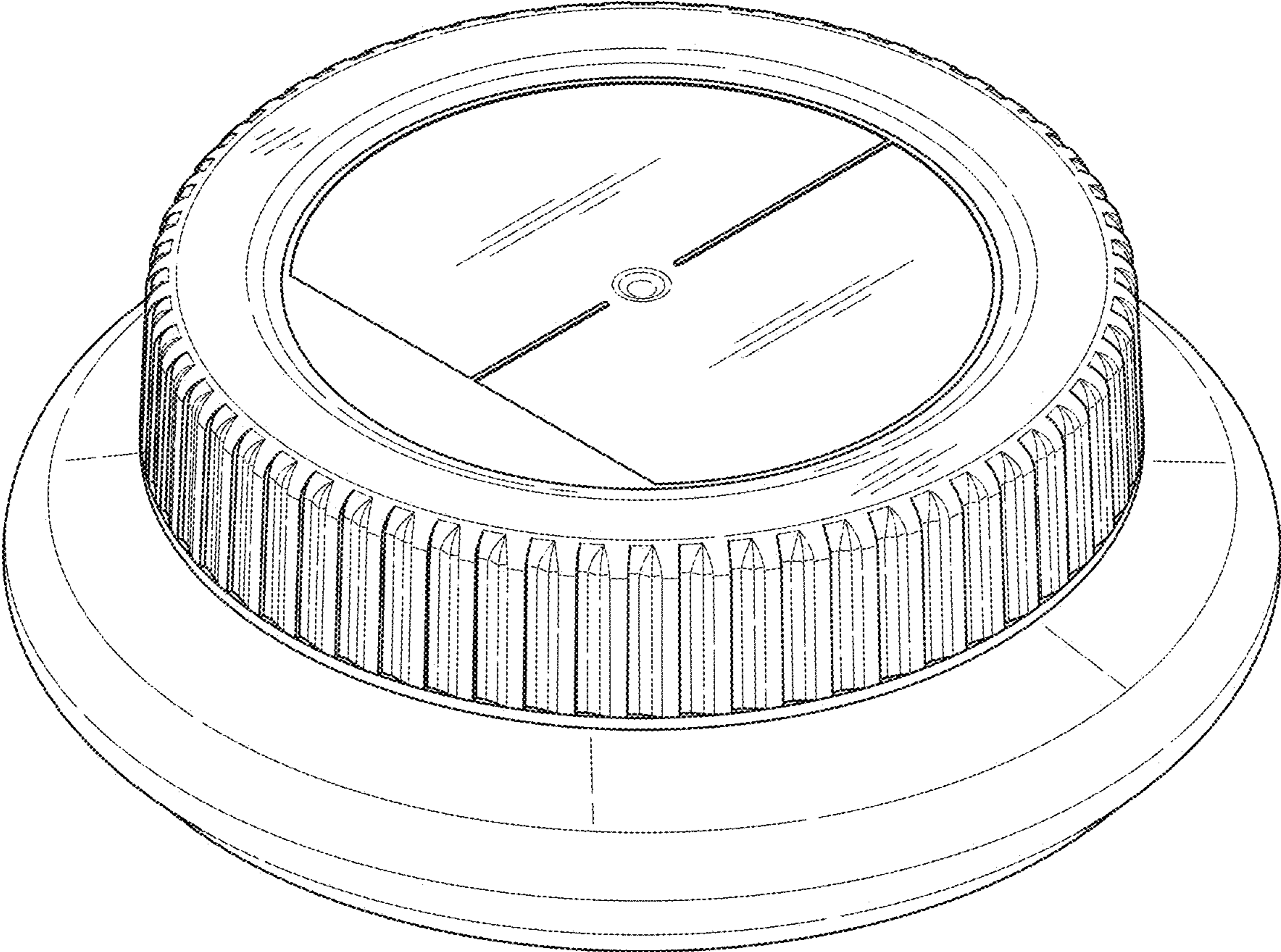


Fig. 1

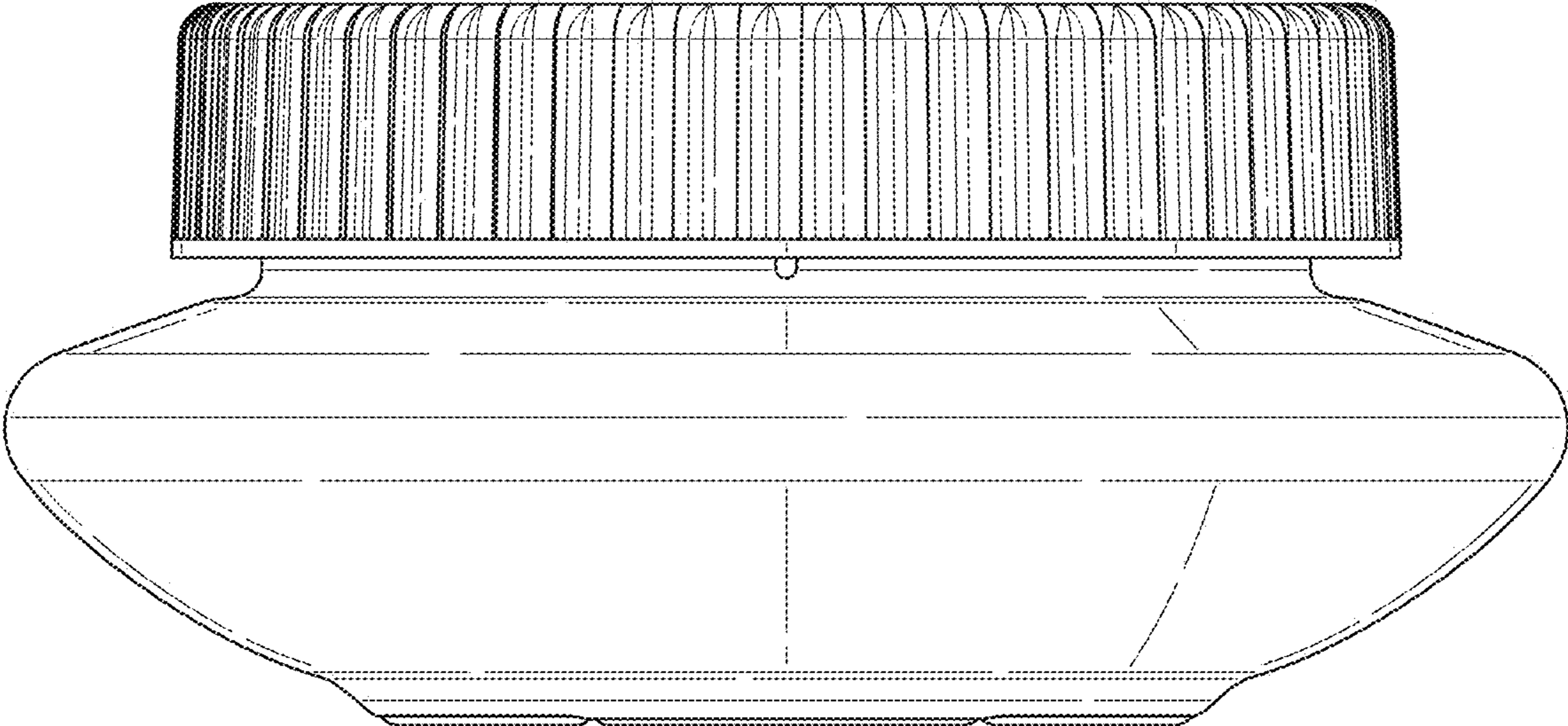


Fig. 2

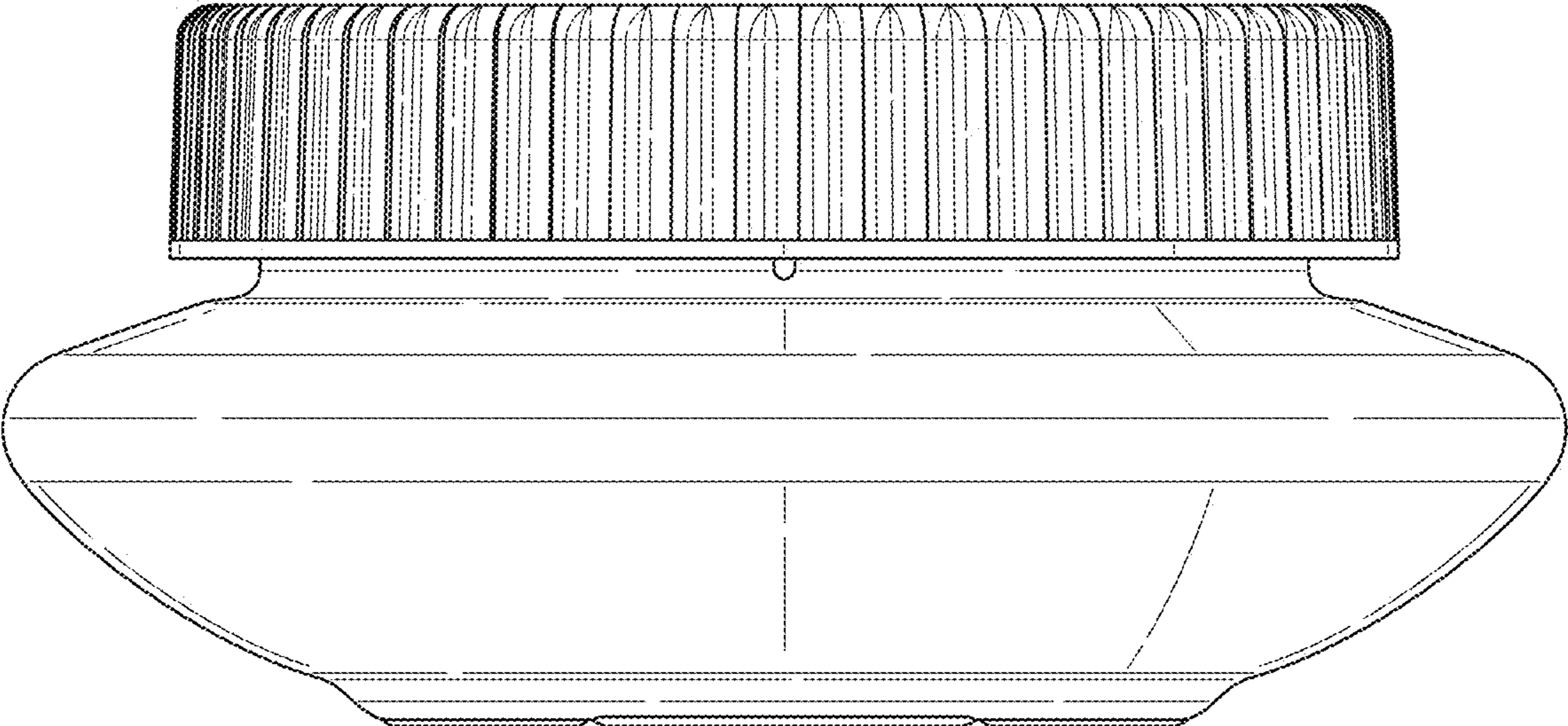


Fig. 3

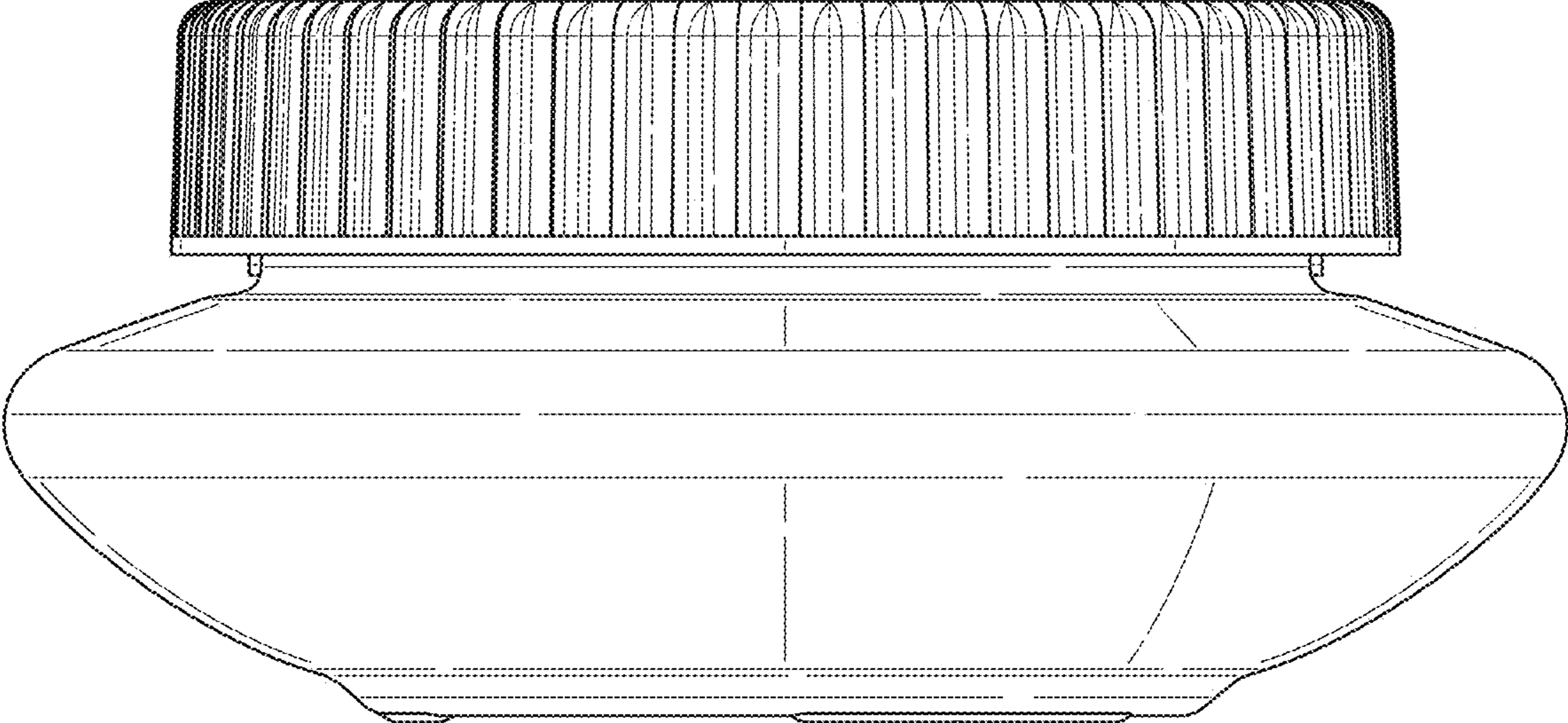


Fig. 4

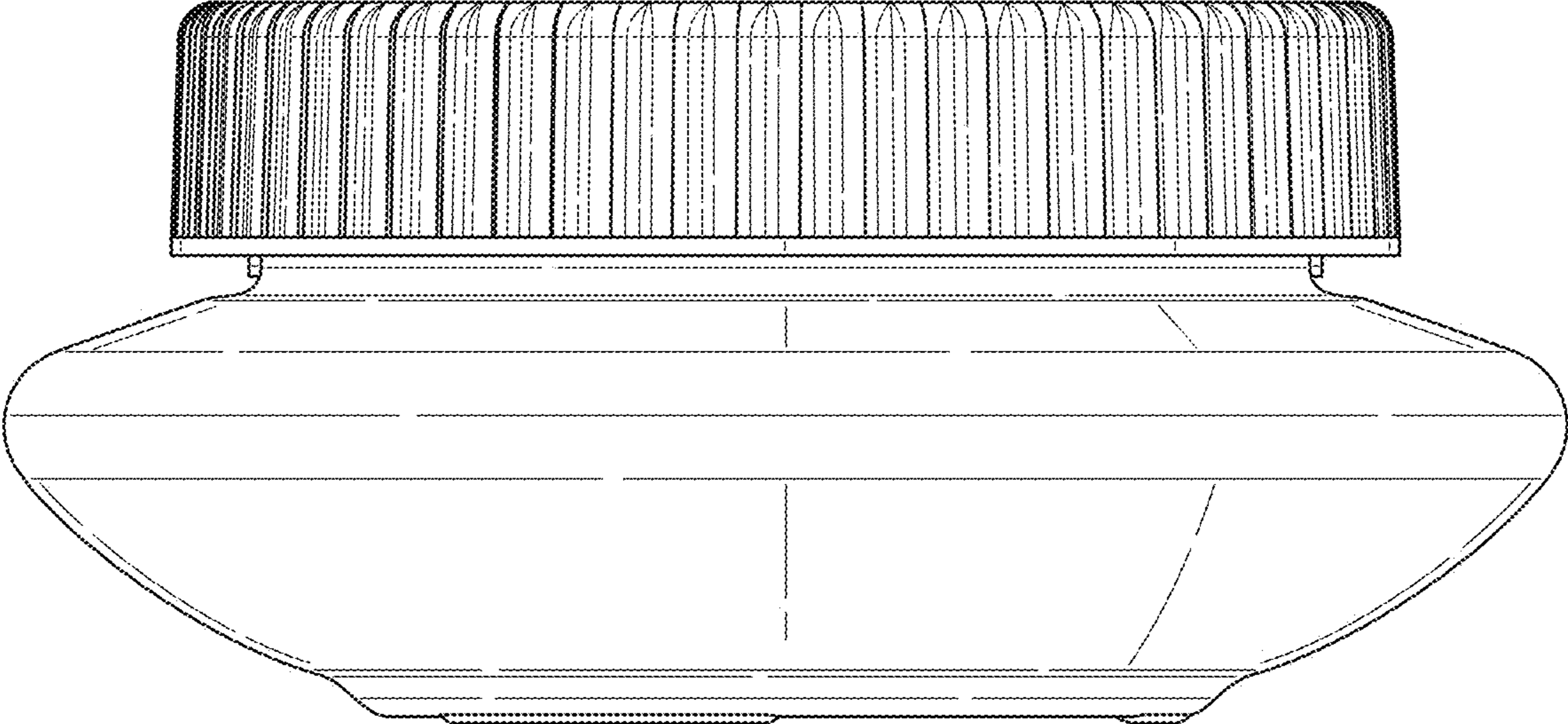


Fig. 5

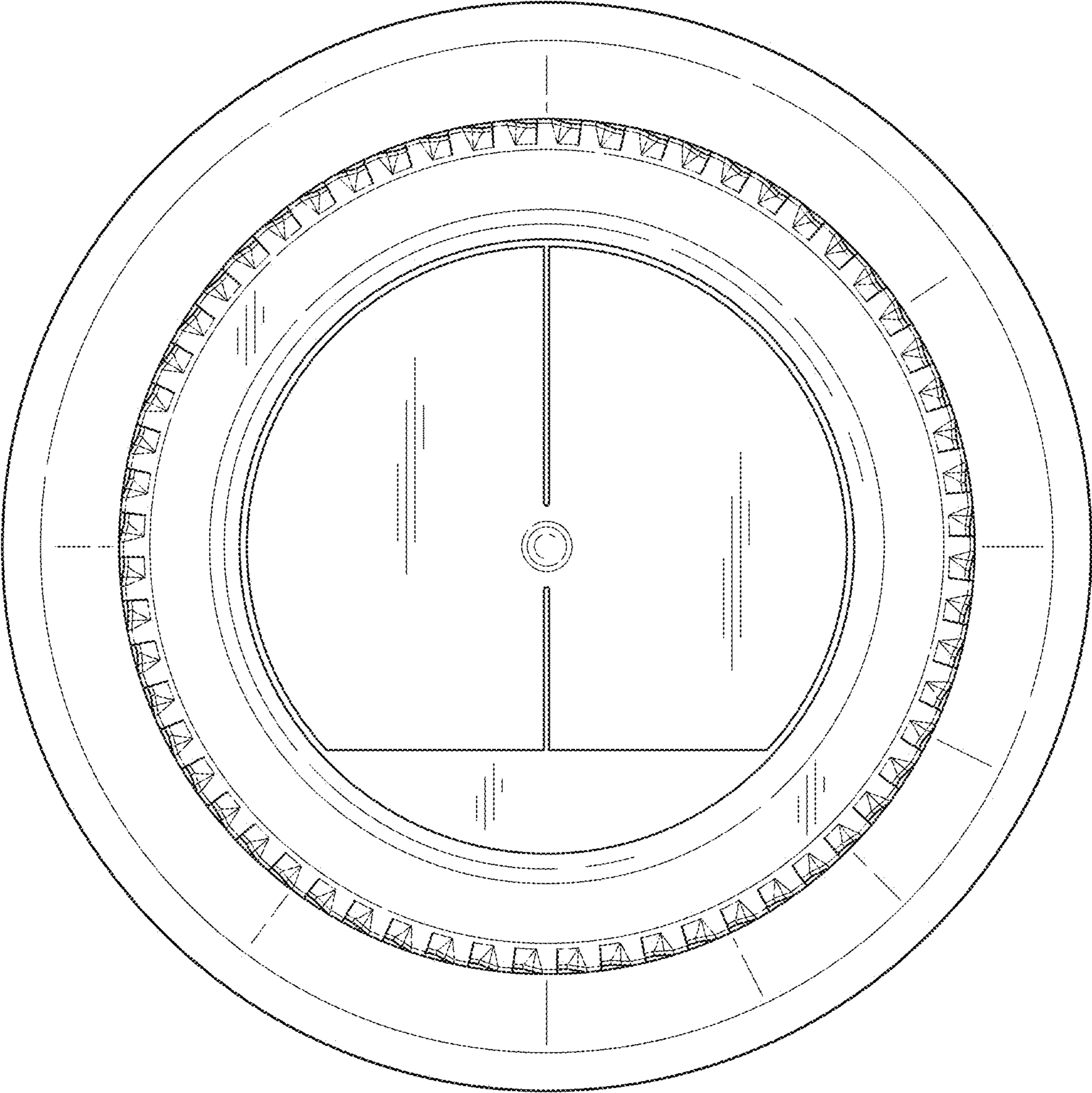


Fig. 6

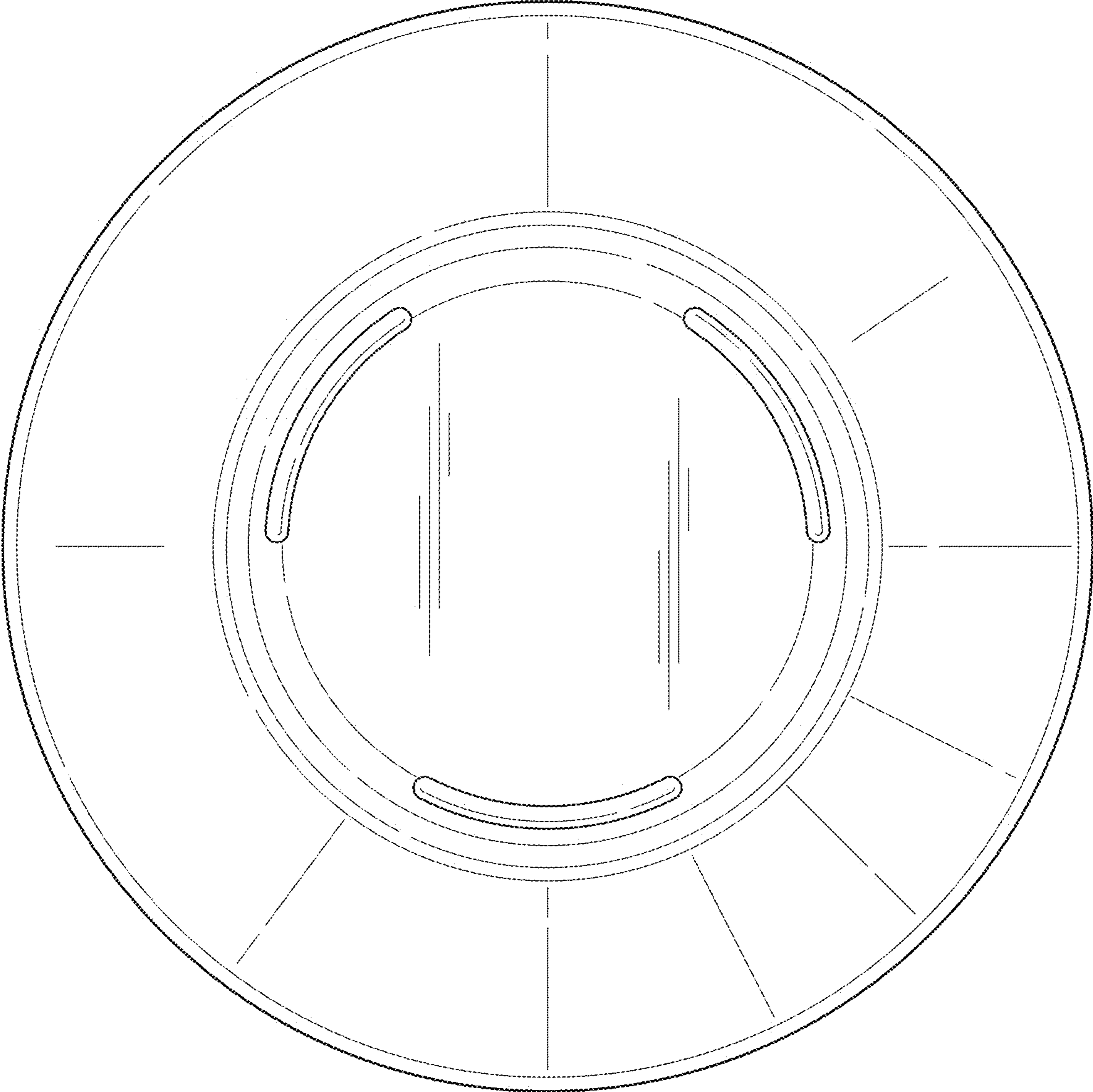


Fig. 7