



US00D975263S

(12) **United States Design Patent** (10) **Patent No.:** **US D975,263 S**
Wright et al. (45) **Date of Patent:** **** Jan. 10, 2023**

(54) **ELECTRONIC FRAGRANCE EMITTER**

(71) Applicants: **Korri L. Wright**, Yuma, AZ (US);
Aaron B. Moncur, Mesa, AZ (US);
Michael L. Hadley, Mesa, AZ (US);
Brandon M. Graham, Chandler, AZ
(US); **John B. Martell**, Gilbert, AZ
(US)

(72) Inventors: **Korri L. Wright**, Yuma, AZ (US);
Aaron B. Moncur, Mesa, AZ (US);
Michael L. Hadley, Mesa, AZ (US);
Brandon M. Graham, Chandler, AZ
(US); **John B. Martell**, Gilbert, AZ
(US)

(73) Assignee: **Korri L. Wright**, Yuma, AZ (US)

(**) Term: **15 Years**

(21) Appl. No.: **29/732,009**

(22) Filed: **Apr. 20, 2020**

(51) **LOC (14) Cl.** **23-04**

(52) **U.S. Cl.**
USPC **D23/366**

(58) **Field of Classification Search**

USPC D23/332, 333, 351-369; D7/300.1, 506;
D11/143, 146; D14/188, 194, 195, 197,
D14/203.2, 203.6, 204, 209, 213, 215,
D14/216, 221, 228; D32/30
CPC A61L 9/03; A61L 9/04; A61L 9/05; A61L
9/12; A61L 9/14; A61L 9/22; A61L
9/012; A61L 9/015; A61L 9/048; A61L
9/122; A61L 9/127; A61L 2209/133;
A47G 7/06; F24F 6/02; F24F 6/12; Y10S
261/88; Y10S 261/89; B05B 9/03
See application file for complete search history.

(56) **References Cited**

U.S. PATENT DOCUMENTS

4,968,487 A 11/1990 Yamamoto et al.
5,038,394 A 8/1991 Hasegawa et al.

(Continued)

Primary Examiner — Gino Colan

Assistant Examiner — David OBrien

(74) *Attorney, Agent, or Firm* — Charmasson, Buchaca & Leach, LLP

(57) **CLAIM**

The ornamental design for an electronic fragrance emitter, as shown and described.

DESCRIPTION

FIG. 1 shows the top, front, right side perspective view of an ornamental design of an electronic fragrance emitter according to an exemplary embodiment of the invention.

FIG. 2 shows the bottom, back, left side perspective view thereof.

FIG. 3 shows the front elevation view thereof.

FIG. 4 shows the back elevation view thereof.

FIG. 5 shows the top plan view thereof.

FIG. 6 shows the bottom plan view thereof.

FIG. 7 shows the right side elevation view thereof, the left side elevation view being a mirror image thereof.

FIG. 8 shows the top, front, right side perspective view of an ornamental design of an electronic fragrance emitter according to an alternate exemplary embodiment of the invention.

FIG. 9 shows the bottom, back, left side perspective view thereof.

FIG. 10 shows the front elevation view thereof.

FIG. 11 shows the back elevation view thereof.

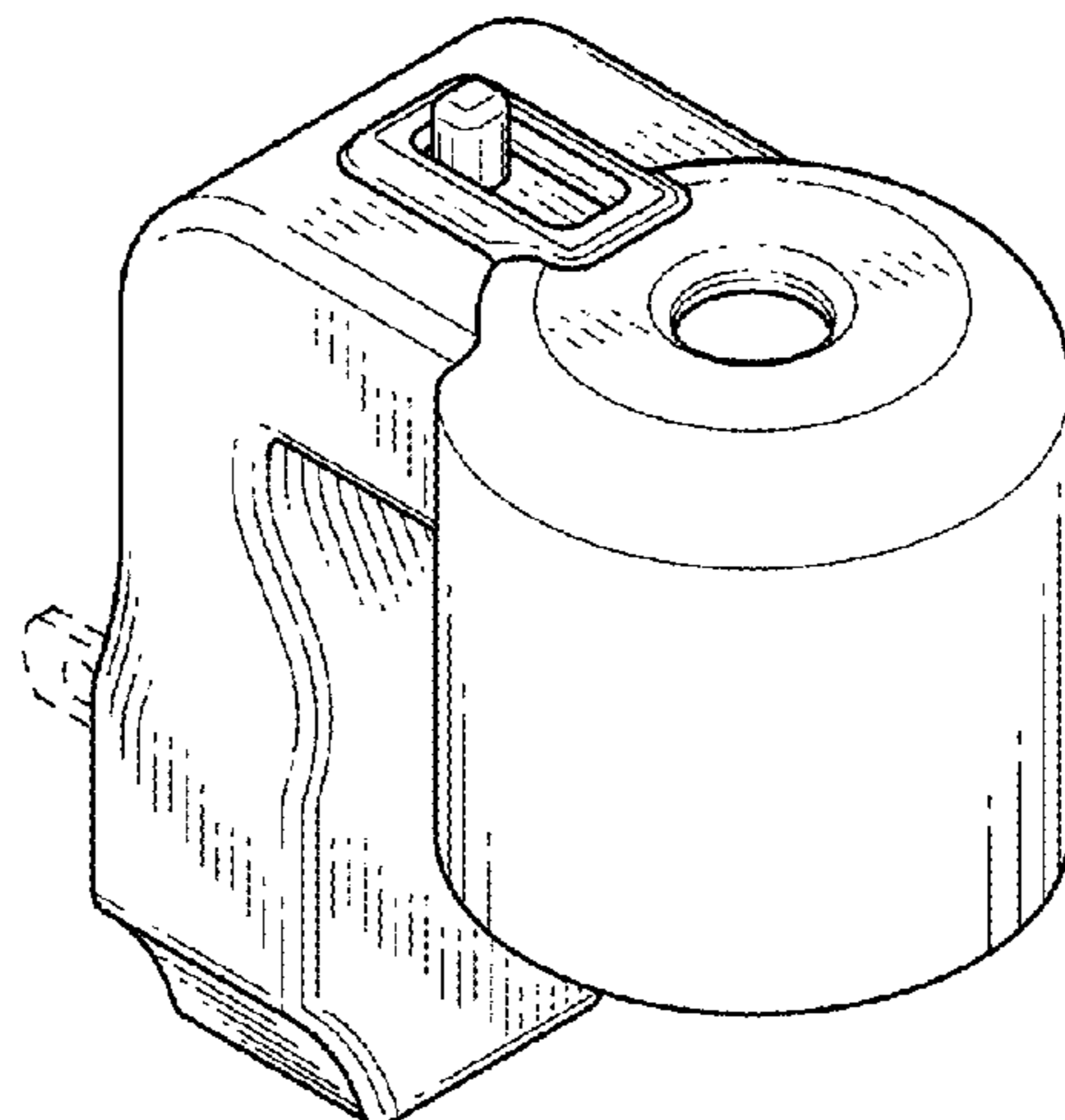
FIG. 12 shows the top plan view thereof.

FIG. 13 shows the bottom plan view thereof; and,

FIG. 14 shows the right side elevation view thereof, the left side elevation view being a mirror image thereof.

Shading lines are used to show solid structures and are not intended to indicate surface decoration. Dashed lines are used to show environment and form no part of the claimed design.

1 Claim, 4 Drawing Sheets



(56)

References Cited

U.S. PATENT DOCUMENTS

6,236,807	B1	5/2001	Ruffolo et al.	
6,278,840	B1	8/2001	Basagañas Millan	
6,285,830	B1	9/2001	Basagañas Millan	
6,466,739	B2	10/2002	Ambrosi et al.	
6,659,301	B2	12/2003	Fellows et al.	
6,950,607	B2	9/2005	Yip et al.	
8,301,019	B2	10/2012	Smith et al.	
10,413,629	B1 *	9/2019	Hsiao	A61L 9/14
10,413,630	B1 *	9/2019	Hsiao	A61L 9/122
D905,221	S *	12/2020	Gobber	D23/366
D939,683	S *	12/2021	Davis	D23/366
D940,291	S *	1/2022	Funk	D23/366
2020/0237948	A1 *	7/2020	Vaughan	A61L 9/12
2021/0015955	A1 *	1/2021	Harrell	A61L 9/03
2021/0322618	A1 *	10/2021	Wright	B05B 9/03

* cited by examiner

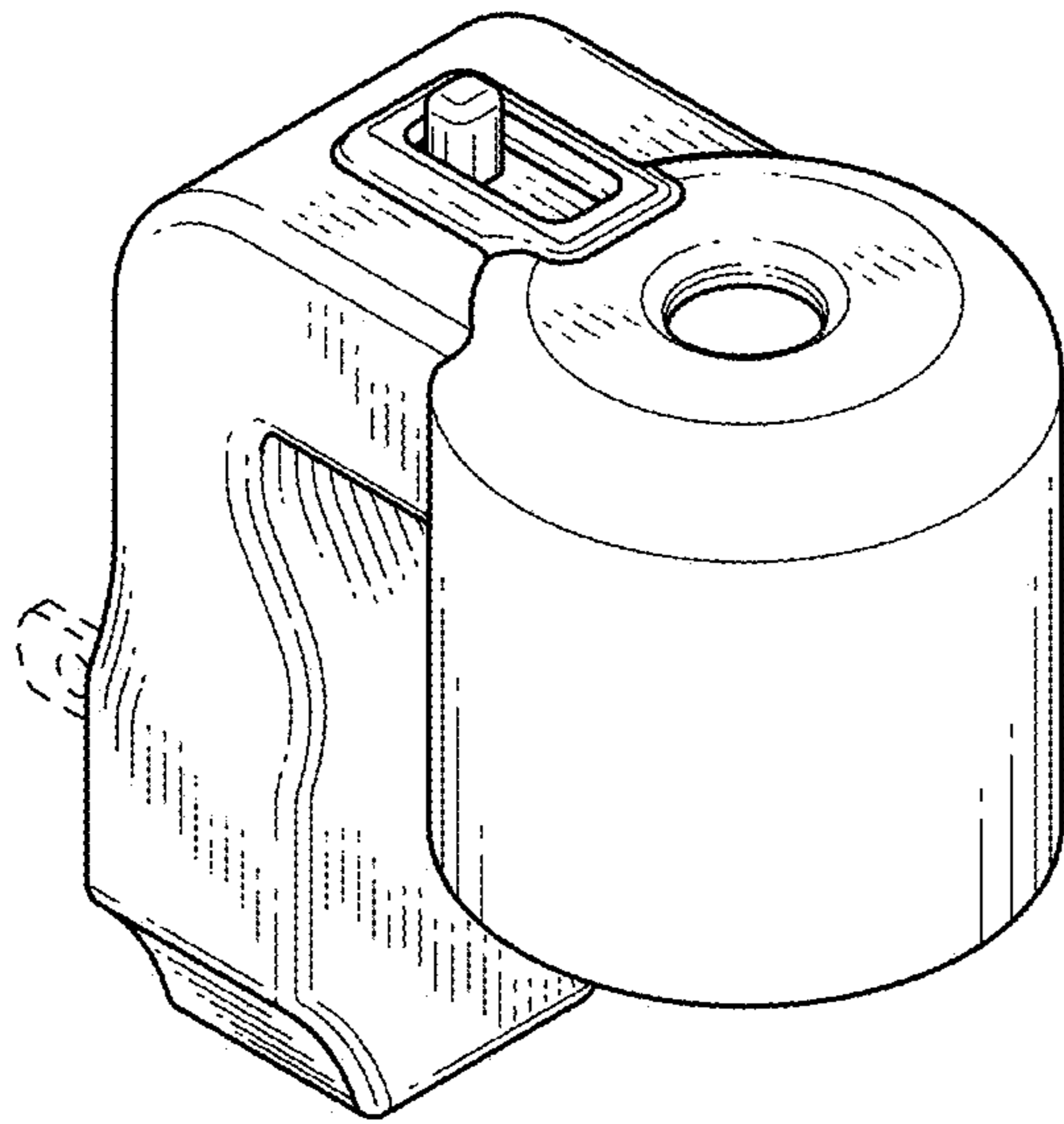


FIG. 1

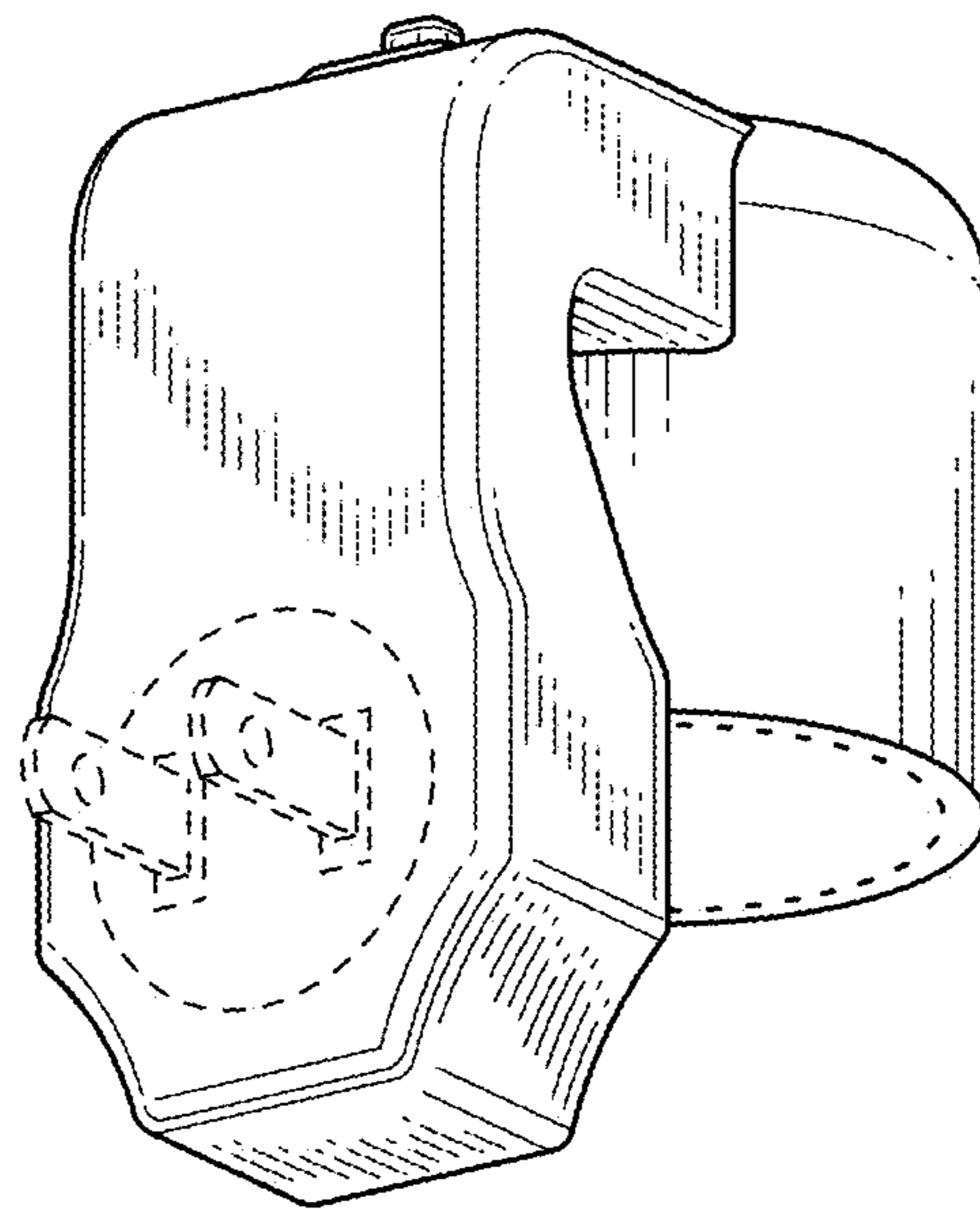


FIG. 2

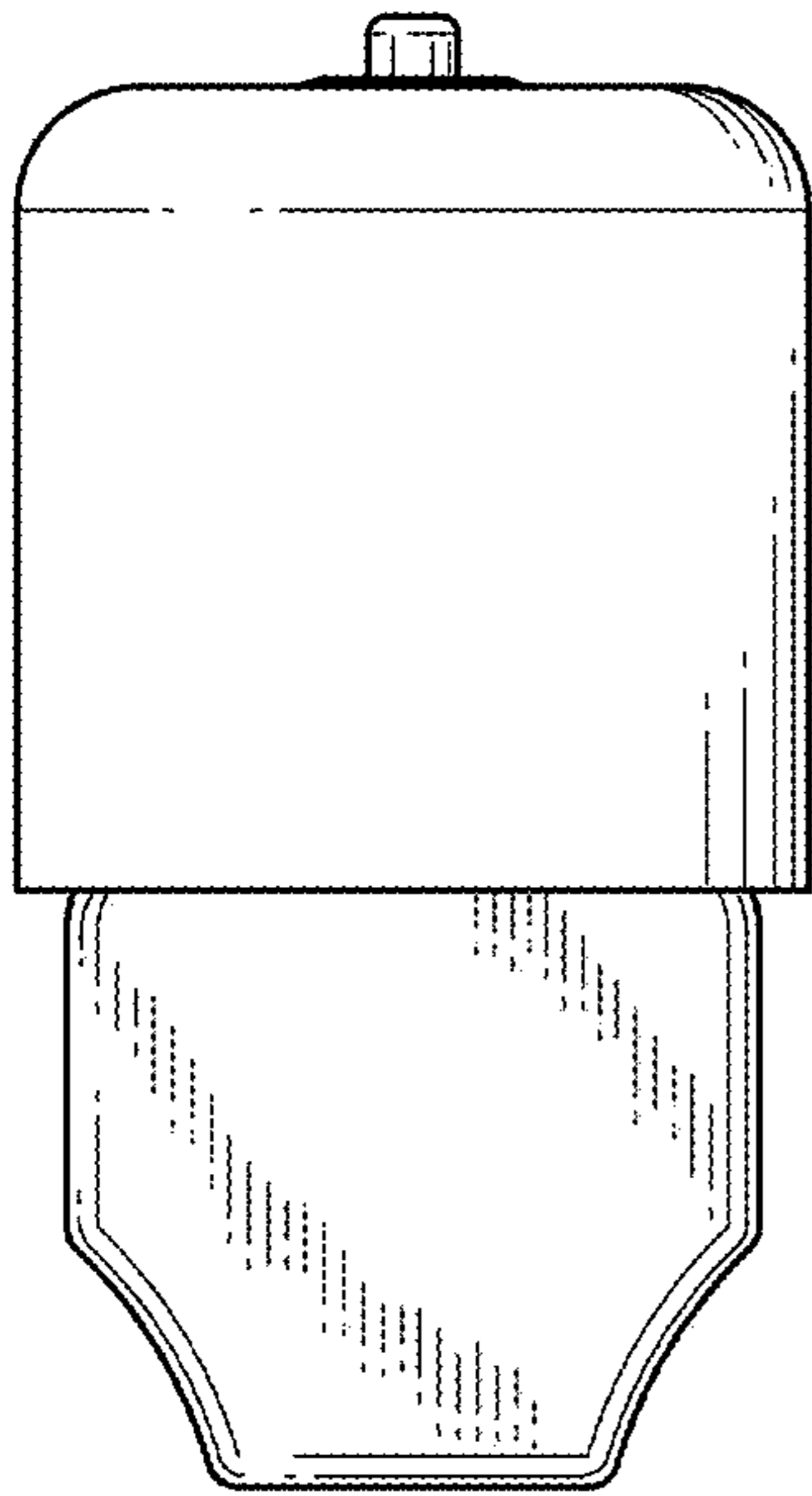


FIG. 3

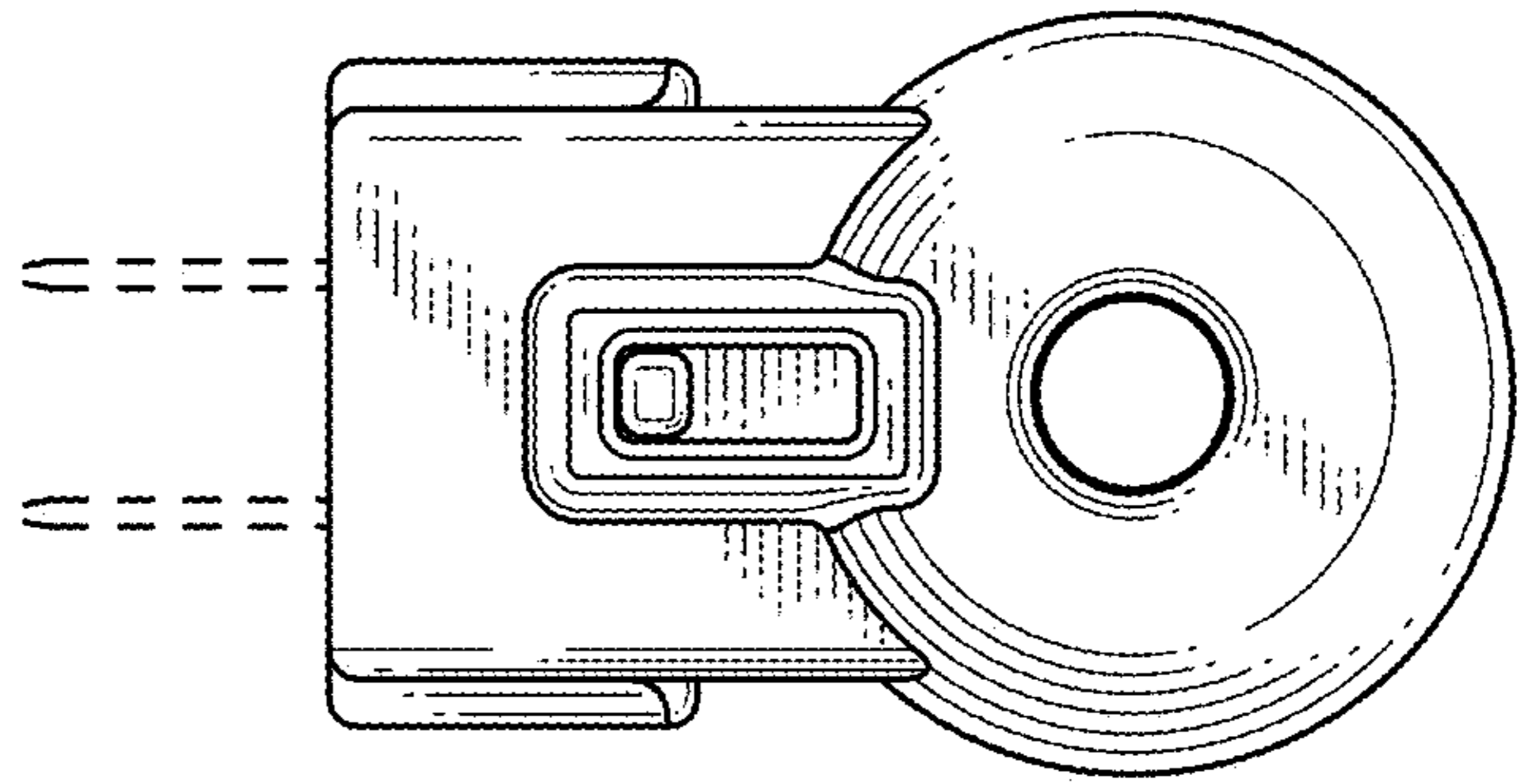


FIG. 5

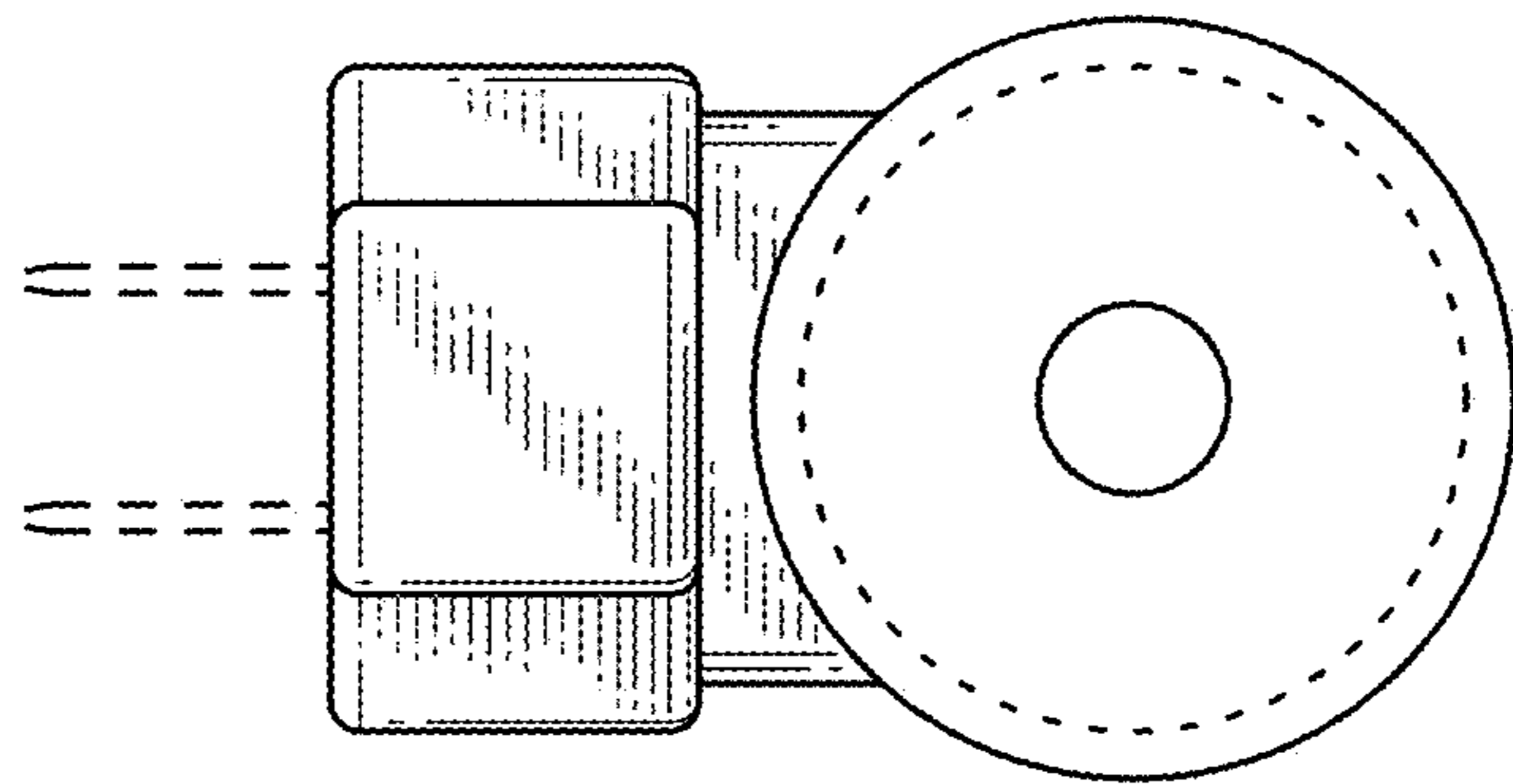


FIG. 6

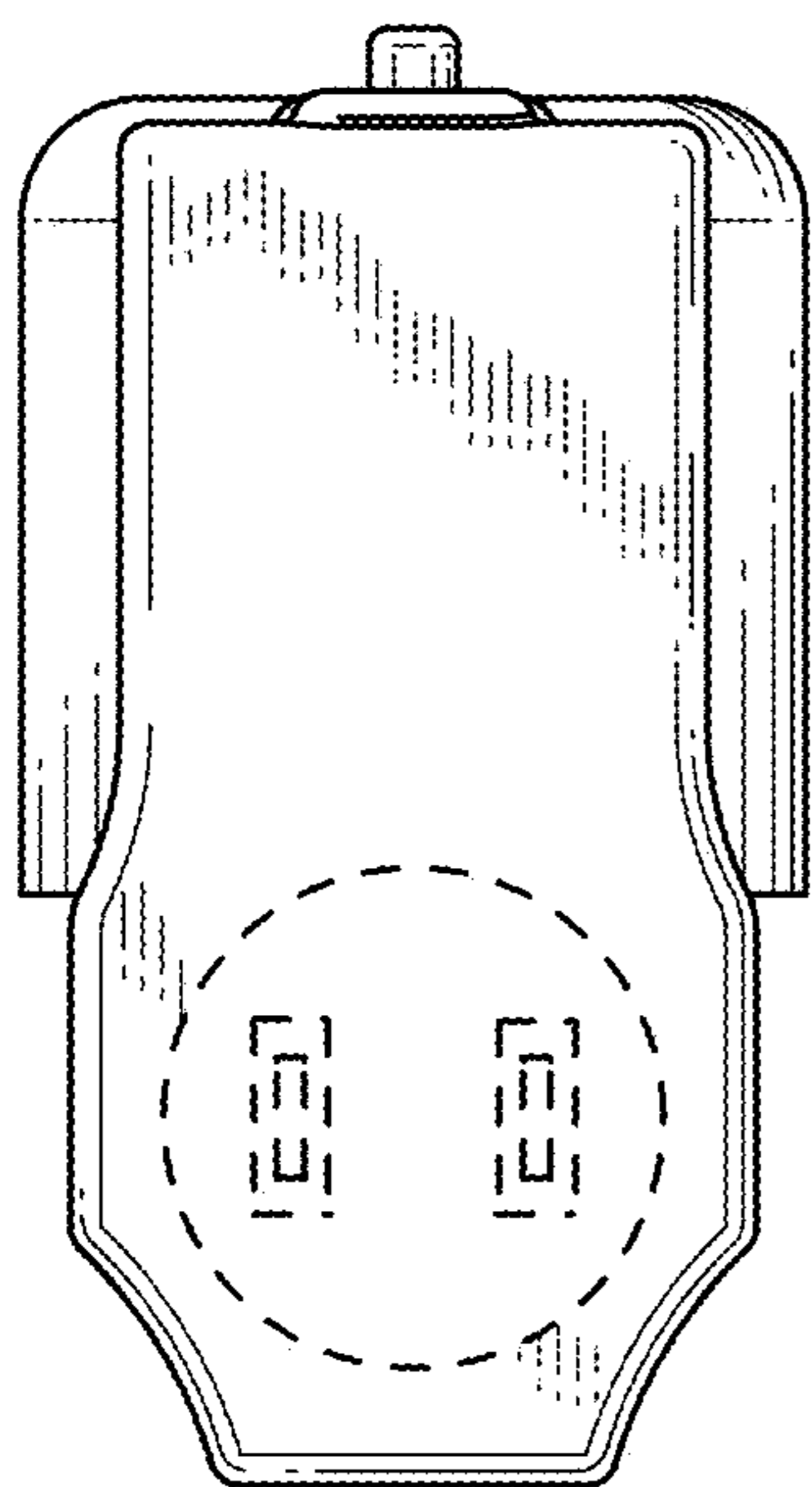


FIG. 4

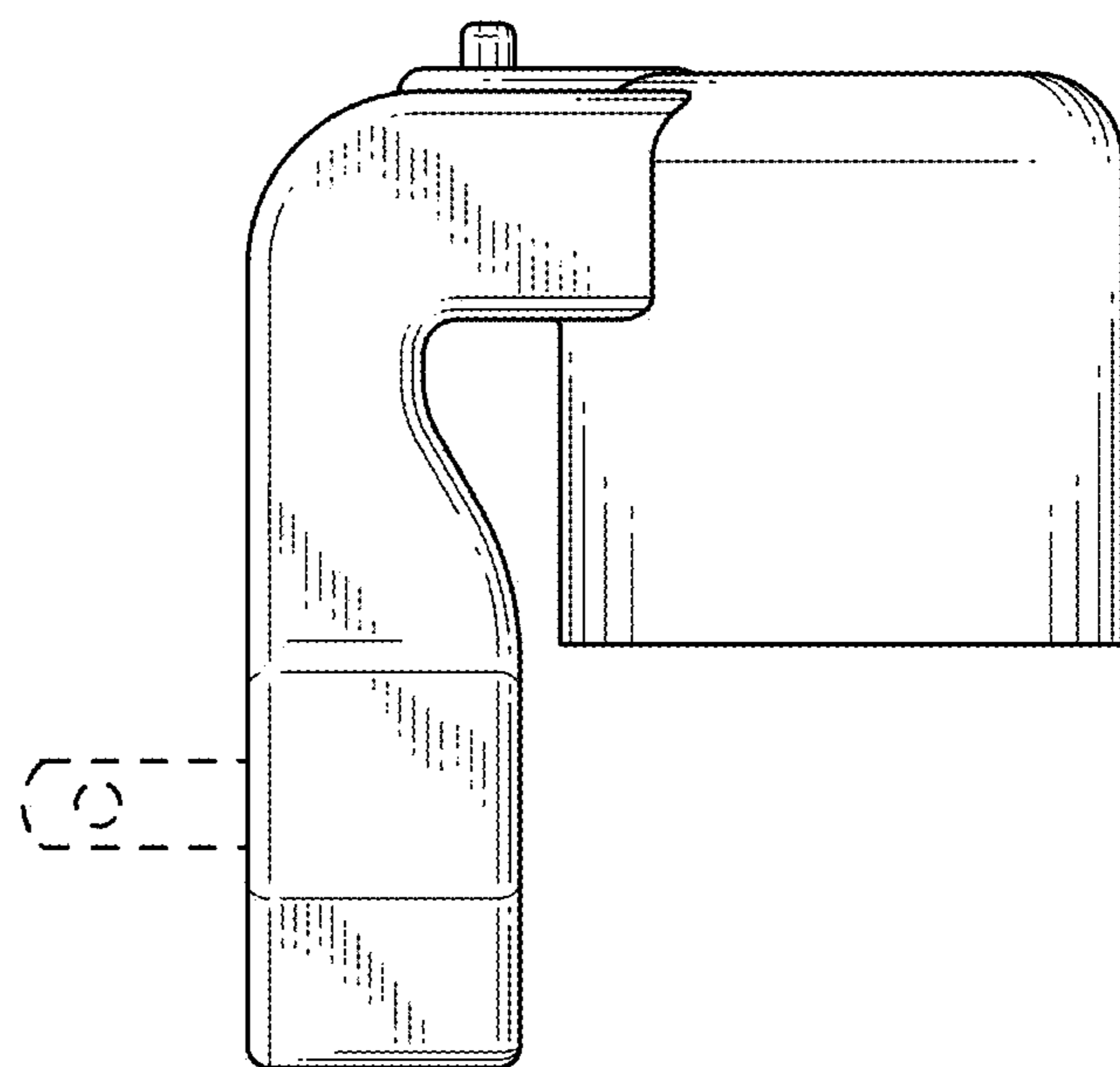


FIG. 7

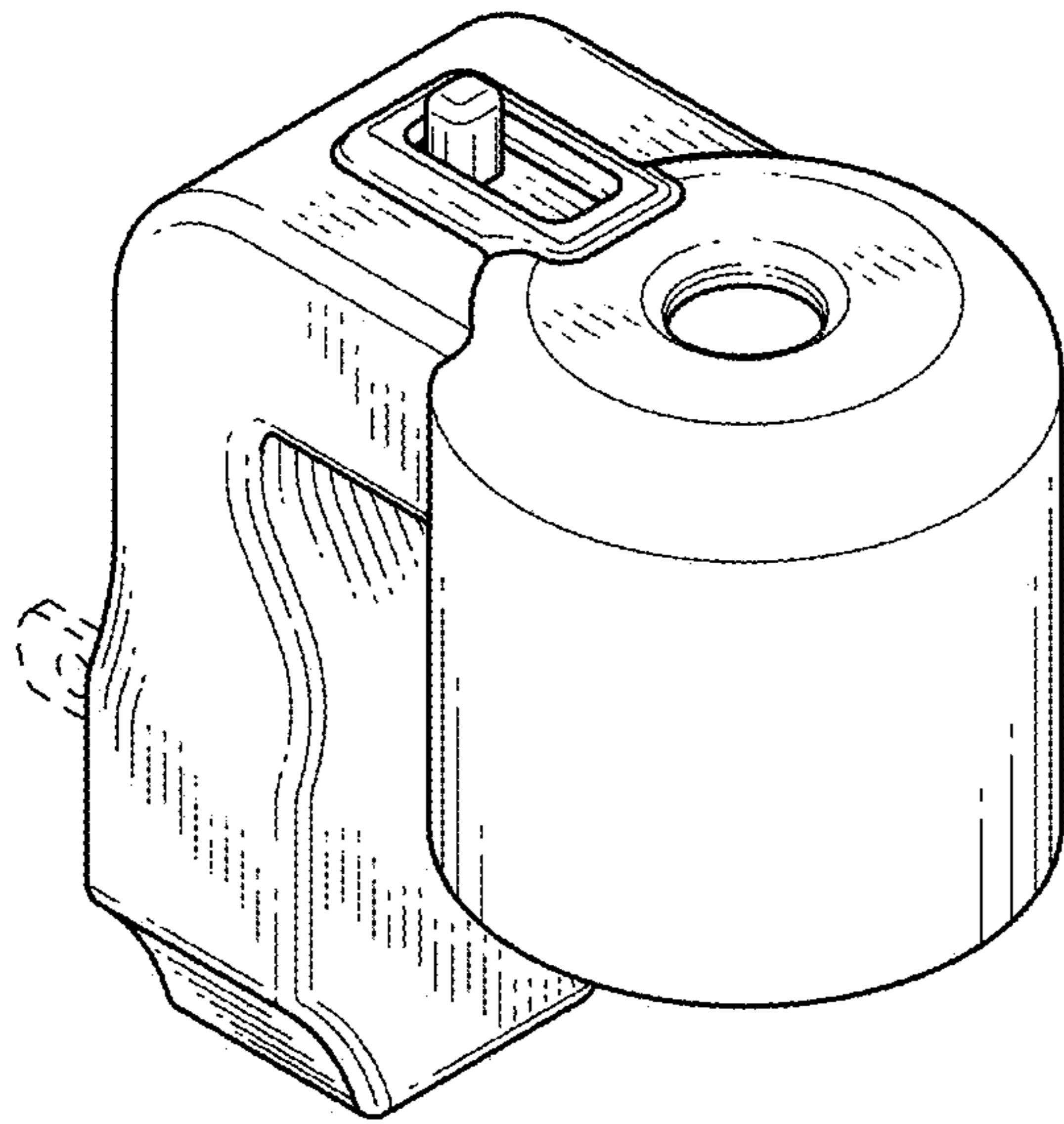


FIG. 8

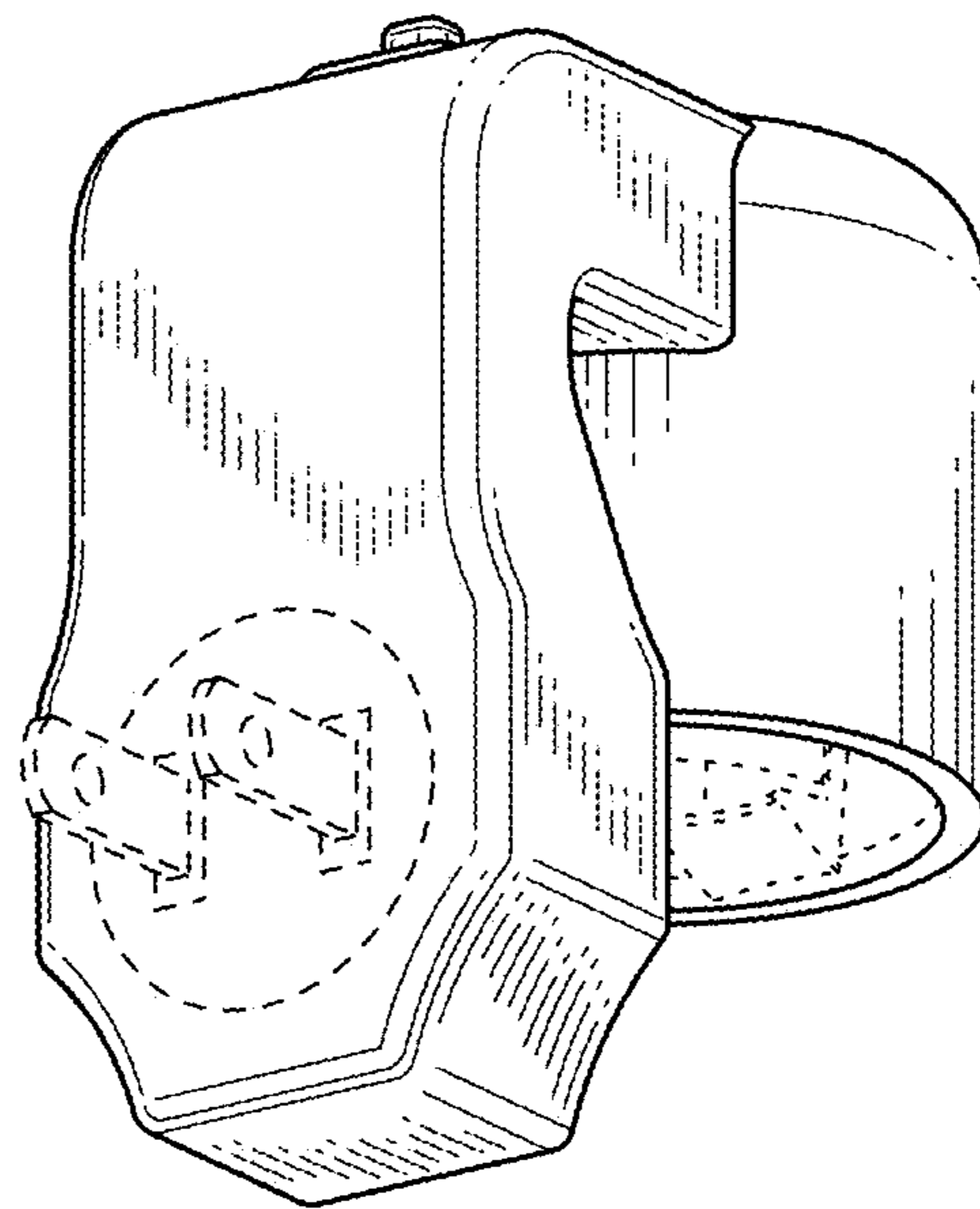


FIG. 9

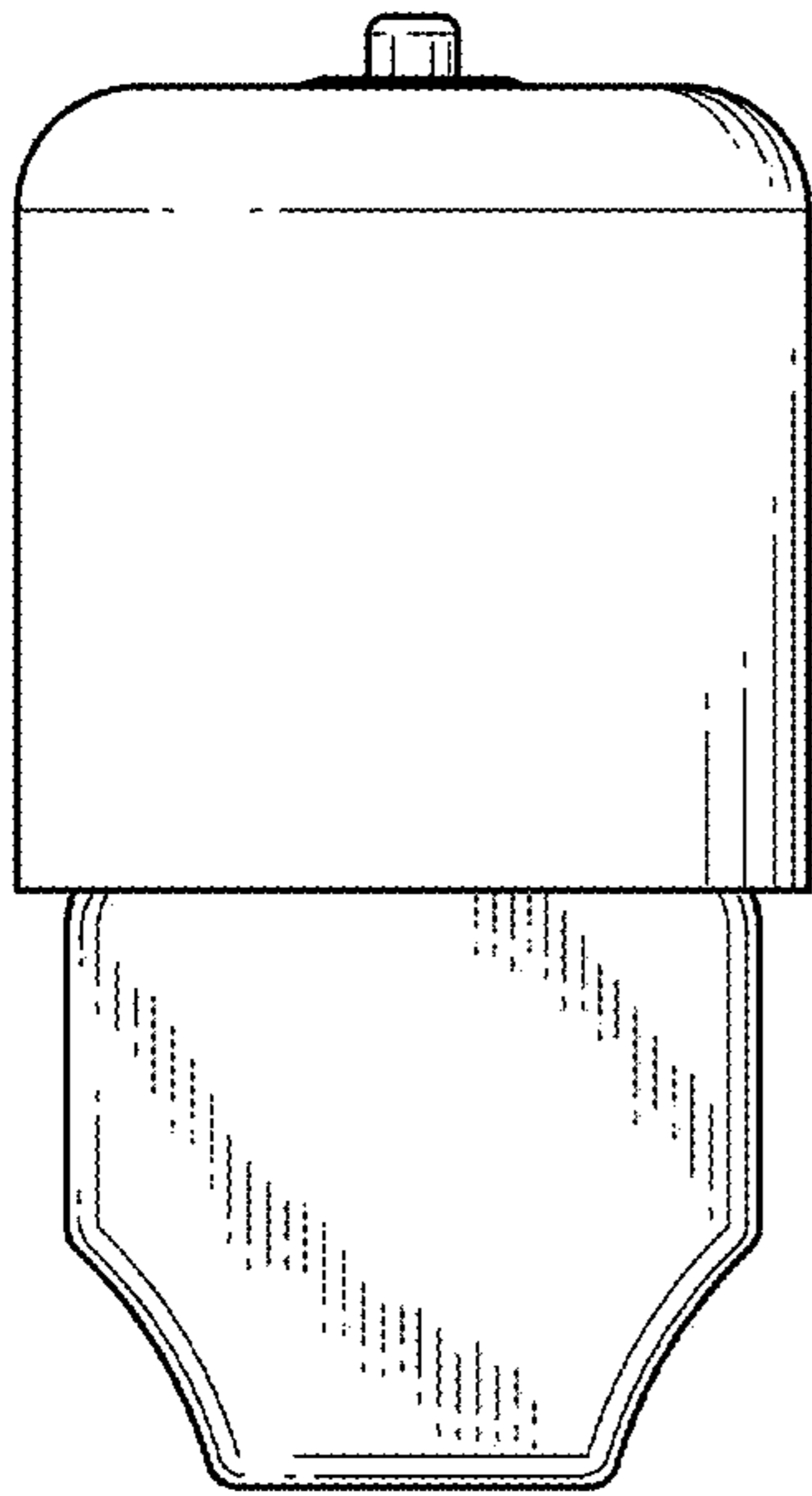


FIG. 10

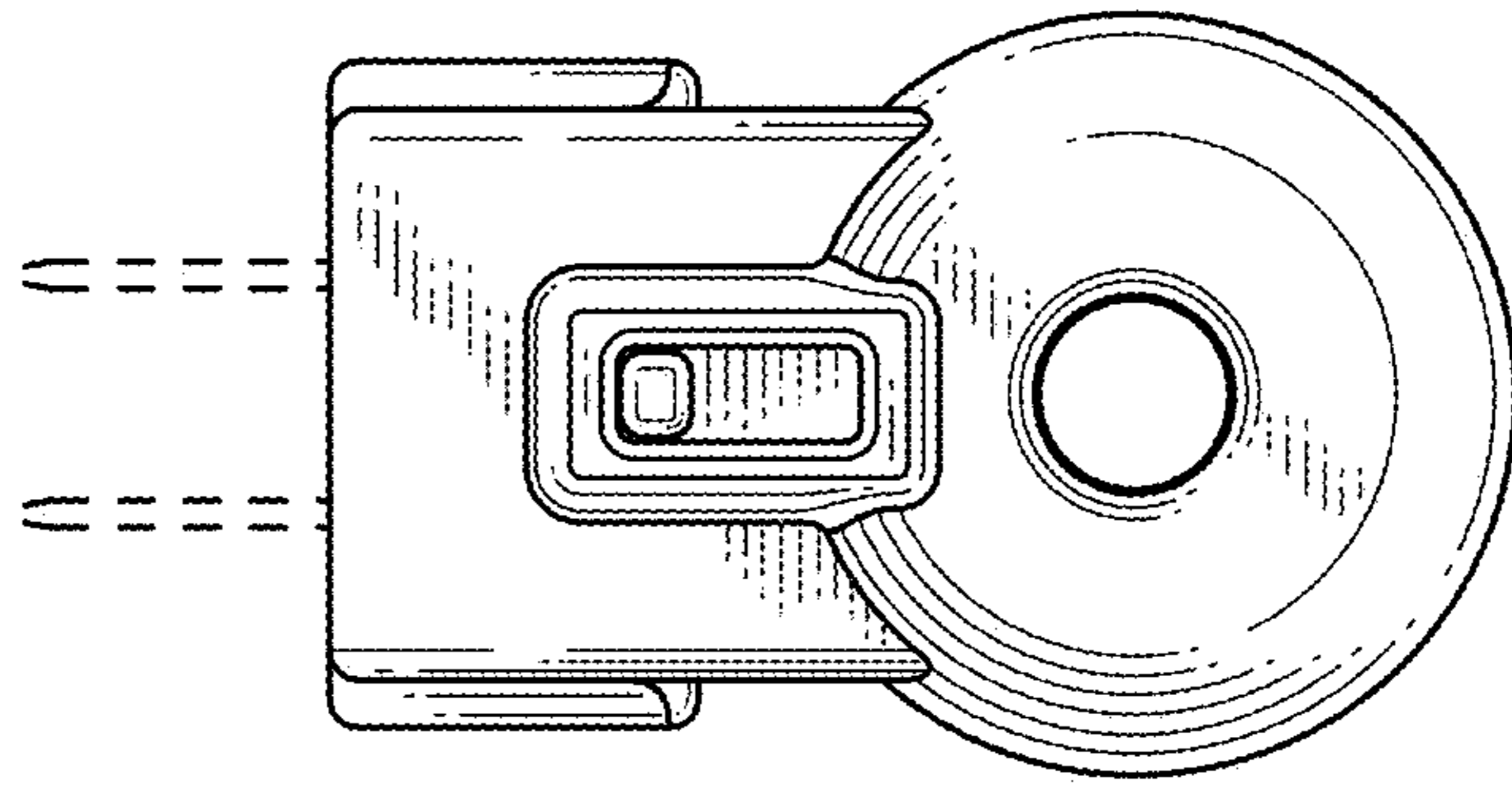


FIG. 12

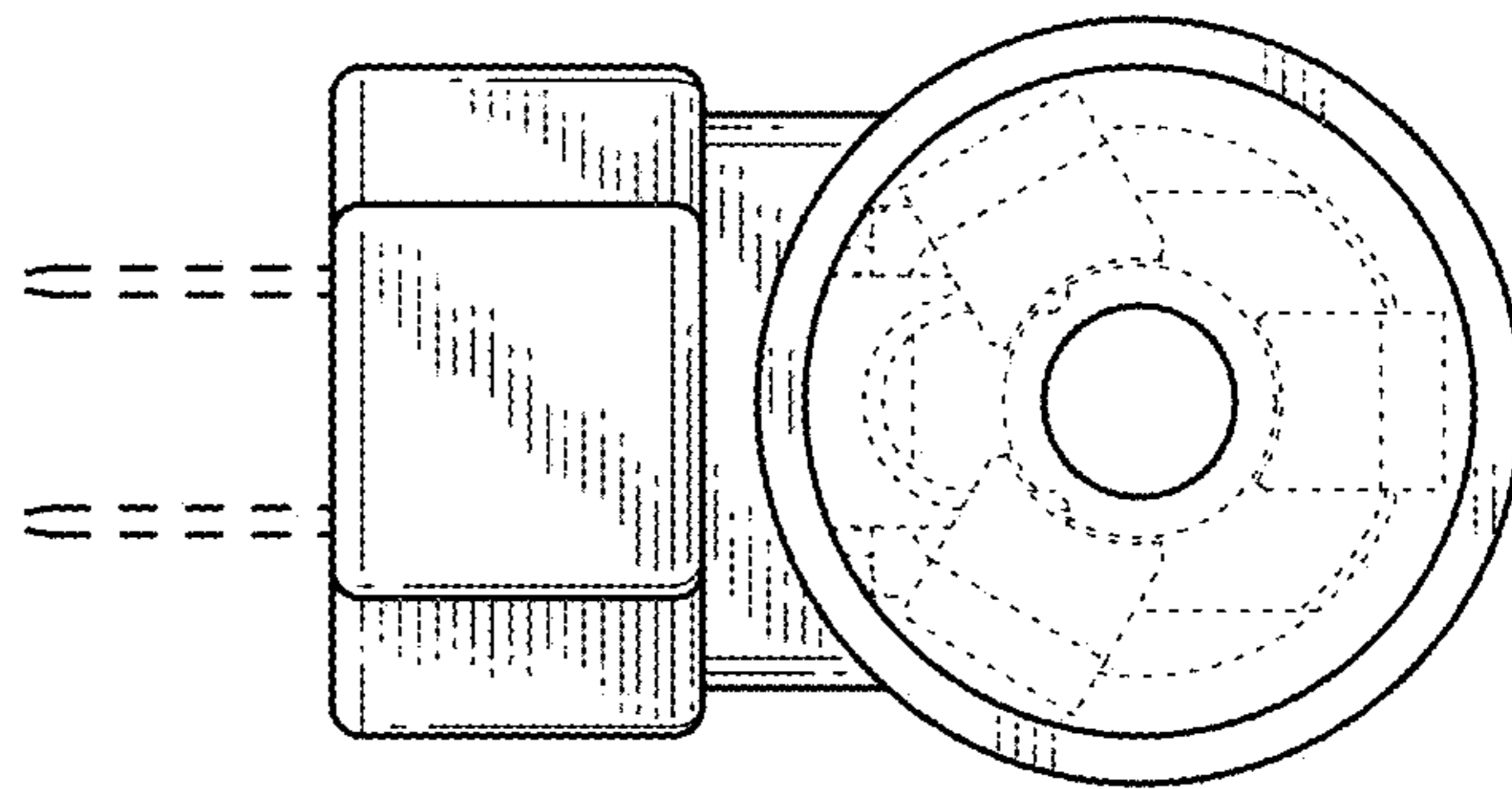


FIG. 13

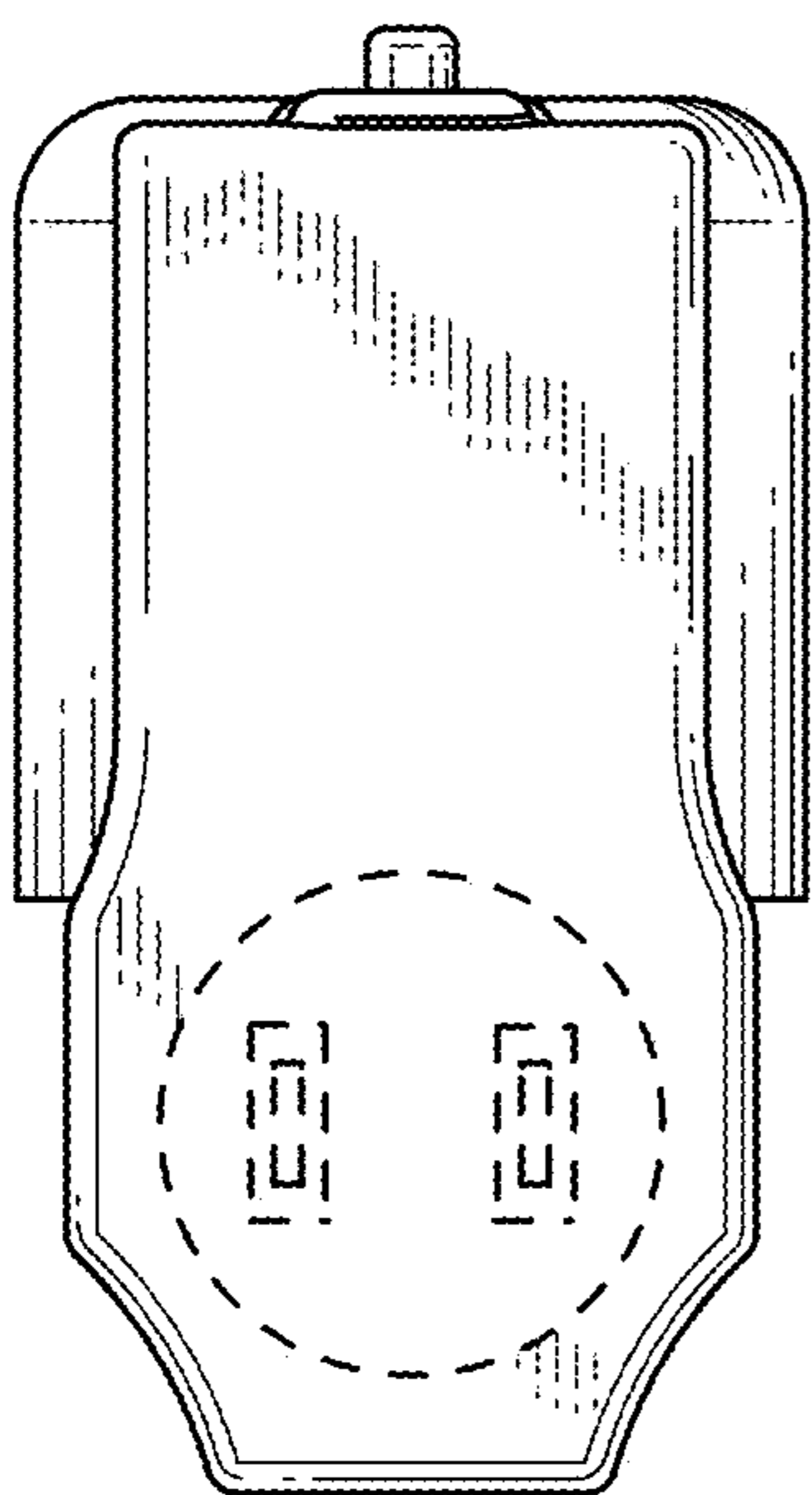


FIG. 11

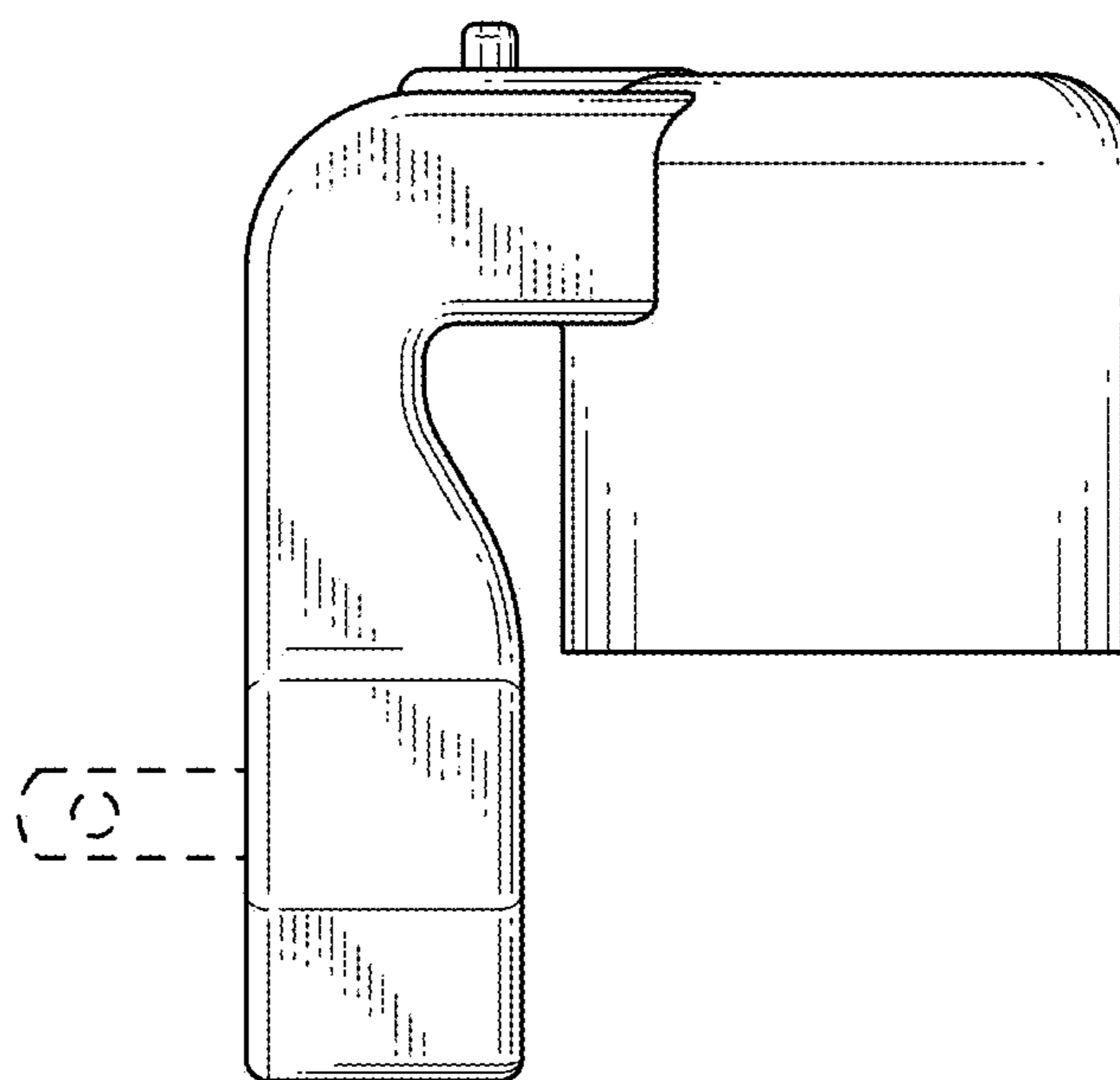


FIG. 14