



US00D975262S

(12) **United States Design Patent**  
**Huaping**

(10) **Patent No.:** **US D975,262 S**  
(45) **Date of Patent:** **\*\* Jan. 10, 2023**

(54) **AIR FILTER**

(71) Applicant: **Ningbo Pureza Technology, LLC,**  
Ningbo (CN)

(72) Inventor: **Wu Huaping,** Zhejiang (CN)

(73) Assignee: **NINGBO PUREZA TECHNOLOGY,**  
**LLC,** Ningbo (CN)

(\*\*) Term: **15 Years**

(21) Appl. No.: **29/725,906**

(22) Filed: **Feb. 27, 2020**

(51) **LOC (14) Cl.** ..... **23-04**

(52) **U.S. Cl.**  
USPC ..... **D23/365**

(58) **Field of Classification Search**  
USPC ..... D23/341, 358, 363, 365, 366, 367;  
D15/5

CPC ..... F02M 35/04; F02M 35/10; F02M 35/024;  
B01D 46/0002; B01D 46/10

See application file for complete search history.

(56) **References Cited**

**U.S. PATENT DOCUMENTS**

D330,076 S \* 10/1992 Evans ..... D23/386  
D418,592 S 1/2000 DePietro, III et al.  
D437,038 S 1/2001 Chuan

(Continued)

*Primary Examiner* — John A Voytek

(74) *Attorney, Agent, or Firm* — Fish IP Law, LLP

(57) **CLAIM**

The ornamental design of an air filter, as shown and described.

**DESCRIPTION**

FIG. 1 is a top, front, right side perspective view of an air filter showing my new design;

FIG. 2 is an enlarged depiction of the left portion of FIG. 1; FIG. 3 is an enlarged depiction of the right portion of FIG. 1;

FIG. 4 is a front elevation view thereof;

FIG. 5 is an enlarged depiction of the left portion of FIG. 4; FIG. 6 is a back elevation view thereof;

FIG. 7 is an enlarged depiction of the right portion of FIG. 6;

FIG. 8 is a right side elevation view thereof;

FIG. 9 is a left side elevation view thereof;

FIG. 10 is a top, back, left side perspective view thereof;

FIG. 11 is an enlarged depiction of the right portion of FIG. 10;

FIG. 12 is a top, back, right side perspective view thereof; FIG. 13 is an enlarged depiction of the left portion of FIG. 12;

FIG. 14 is a top, front, left side perspective view thereof;

FIG. 15 is an enlarged depiction of the left portion of FIG. 14;

FIG. 16 is a bottom, back, left side perspective view thereof; FIG. 17 is an enlarged depiction of the right portion of FIG. 16;

FIG. 18 is a bottom, back, right side perspective view thereof;

FIG. 19 is an enlarged depiction of the left portion of FIG. 18;

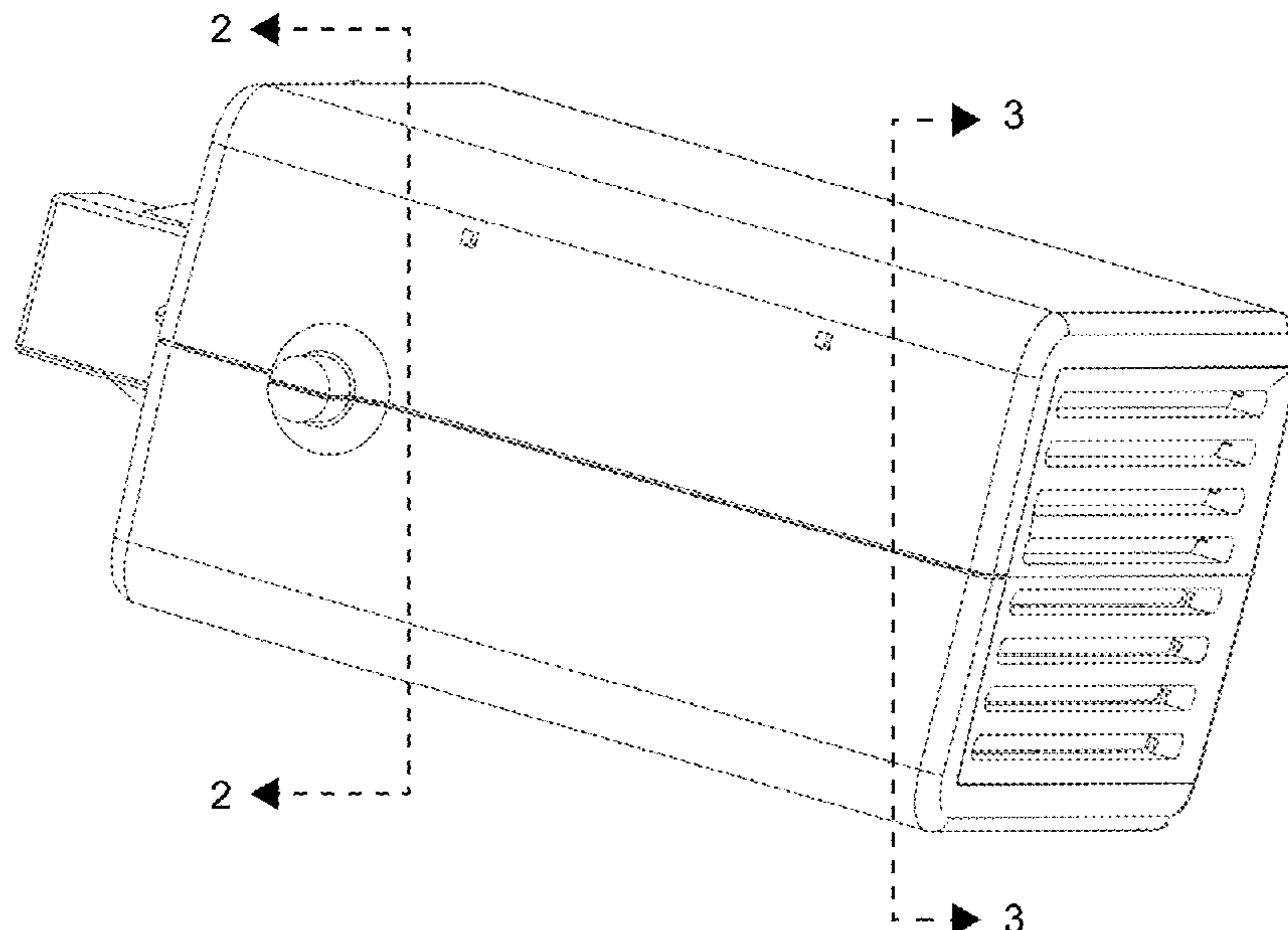
FIG. 20 is a bottom, front, left side perspective view thereof; FIG. 21 is an enlarged depiction of the left portion of FIG. 20;

FIG. 22 is a bottom, front, right side perspective view thereof; and,

FIG. 23 is an enlarged depiction of the right side of FIG. 22.

The broken line showing of various features of the air filter form no part of the claimed design.

**1 Claim, 23 Drawing Sheets**



(56)

**References Cited**

U.S. PATENT DOCUMENTS

D440,295	S *	4/2001	Honma .....	D23/365
D467,654	S	12/2002	Klug et al.	
D522,115	S	5/2006	Chen	
D550,826	S	9/2007	Murai	
D566,256	S *	4/2008	Abate .....	D23/364
D625,256	S *	10/2010	Oshimori .....	D13/112
D673,720	S *	1/2013	Bailey .....	D26/138
D674,474	S	1/2013	Reutschler	
D679,790	S *	4/2013	Doi .....	D23/341
D741,720	S *	10/2015	Anandani .....	D9/560
D749,641	S	2/2016	Menssen et al.	
D788,898	S	6/2017	Shin et al.	
D804,003	S	11/2017	Zhao et al.	
D816,895	S *	5/2018	Ren .....	D27/162
D817,468	S	5/2018	Ruhland et al.	
D864,369	S	10/2019	Gallet et al.	
D864,370	S	10/2019	Gallet et al.	
D873,398	S	1/2020	Seo	
D886,274	S *	6/2020	Hernandez .....	D23/366
2014/0251895	A1 *	9/2014	Wagner .....	B01D 46/10 210/445
2015/0013289	A1 *	1/2015	Hasenfratz .....	B01D 46/10 55/497
2015/0267653	A1 *	9/2015	Kinsey, Jr. ....	B01D 46/2411 123/198 E
2016/0109419	A1 *	4/2016	Matsui .....	B01D 46/0002 73/23.2

\* cited by examiner

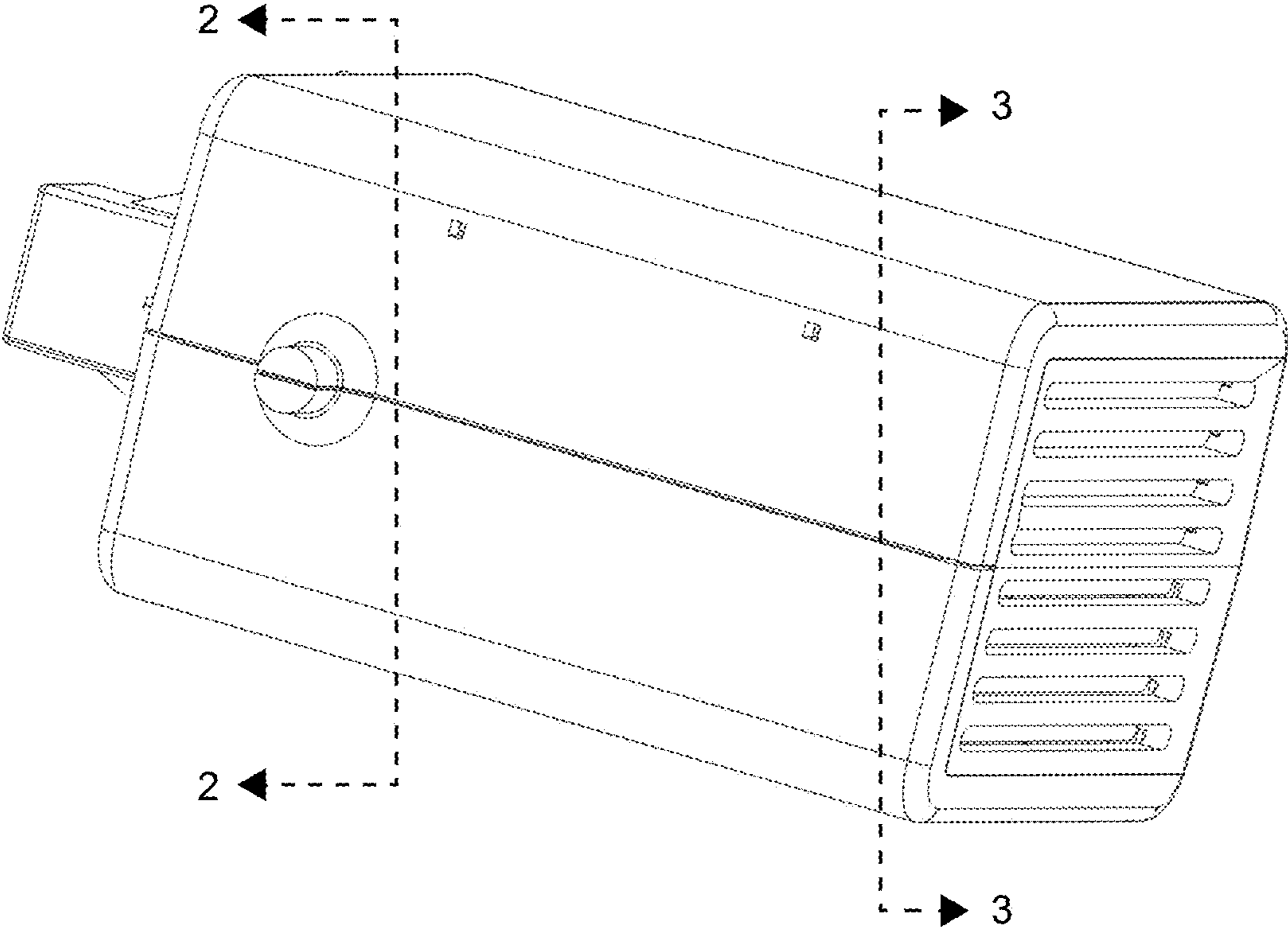


FIG. 1

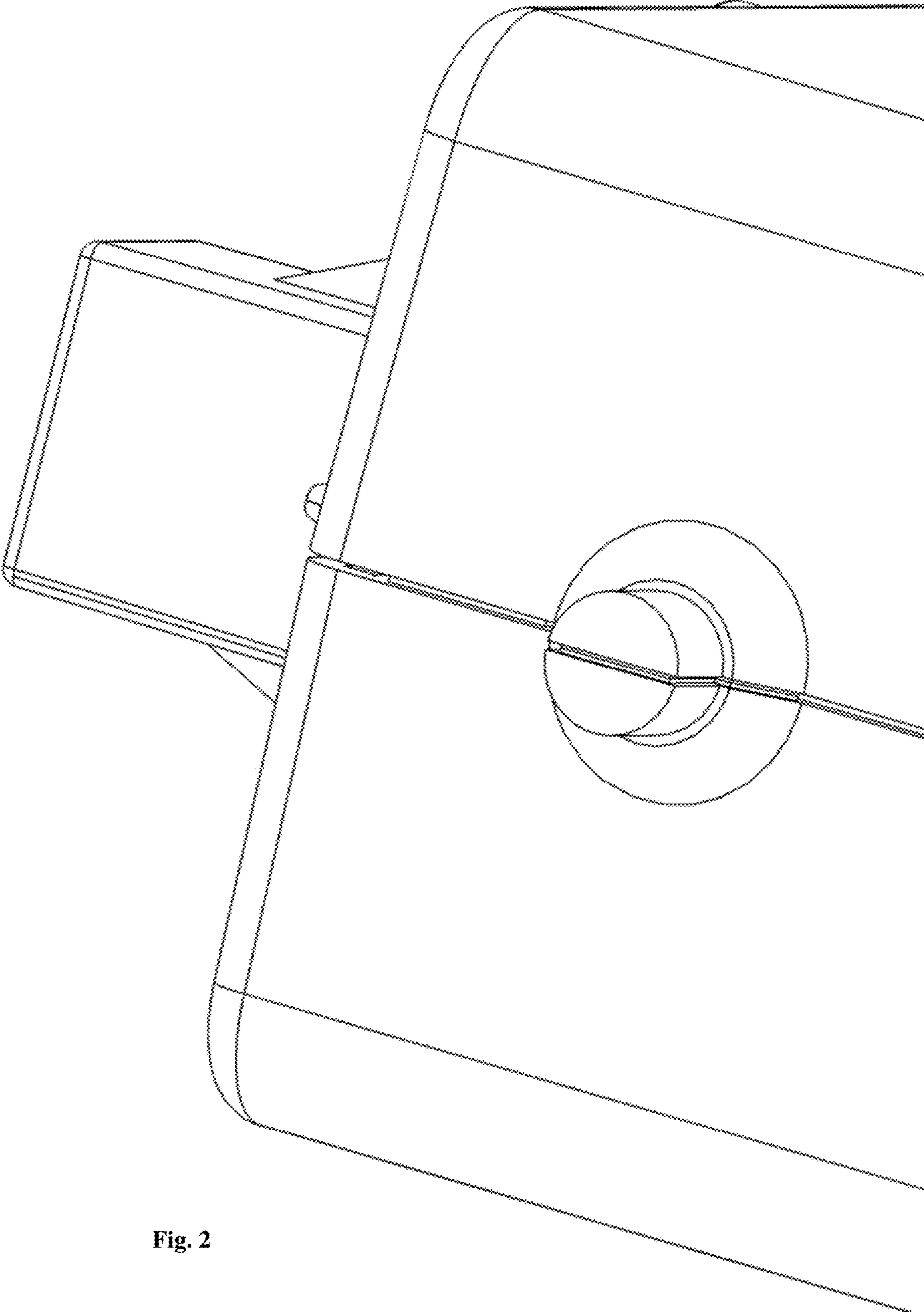


Fig. 2

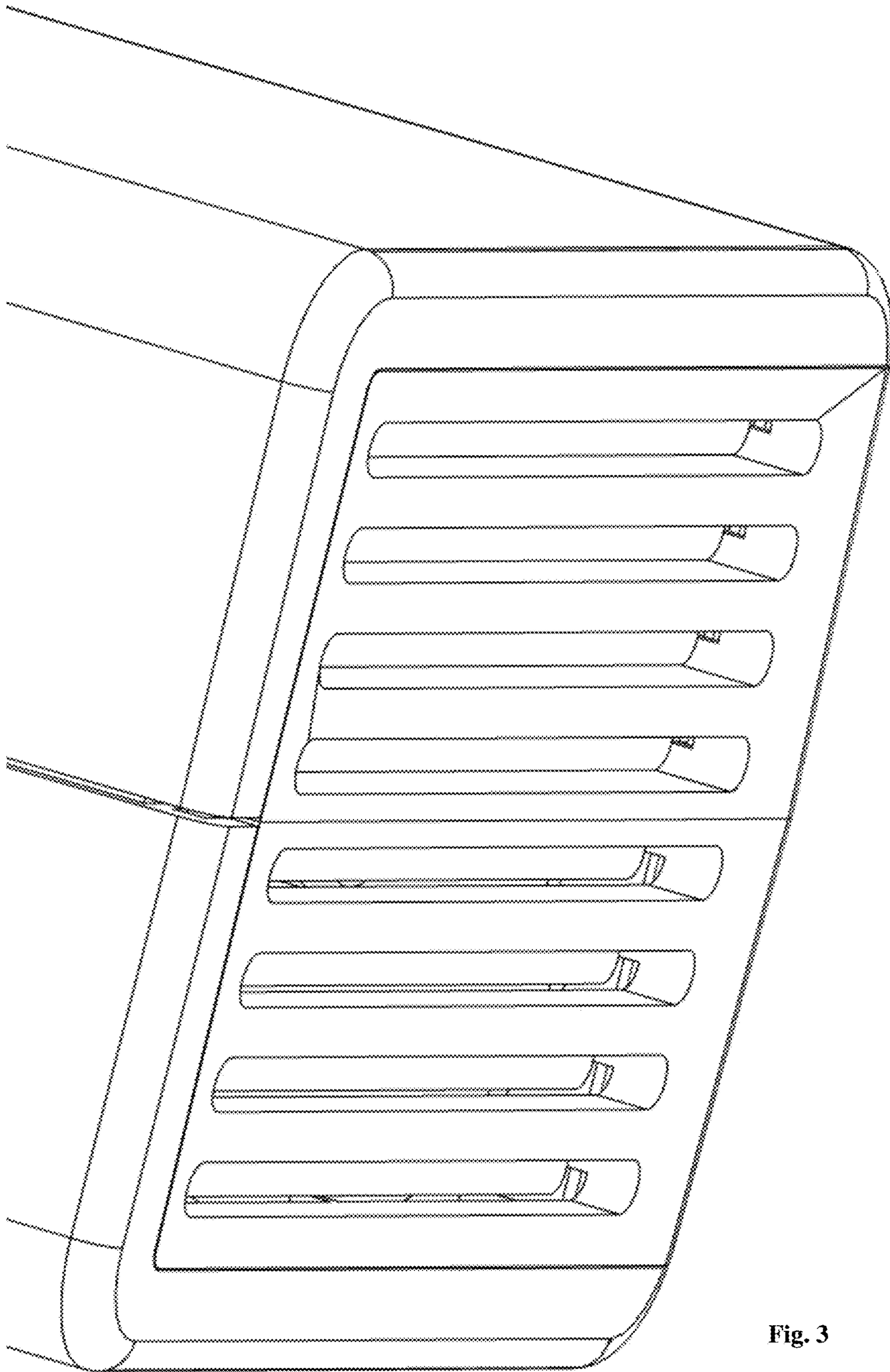
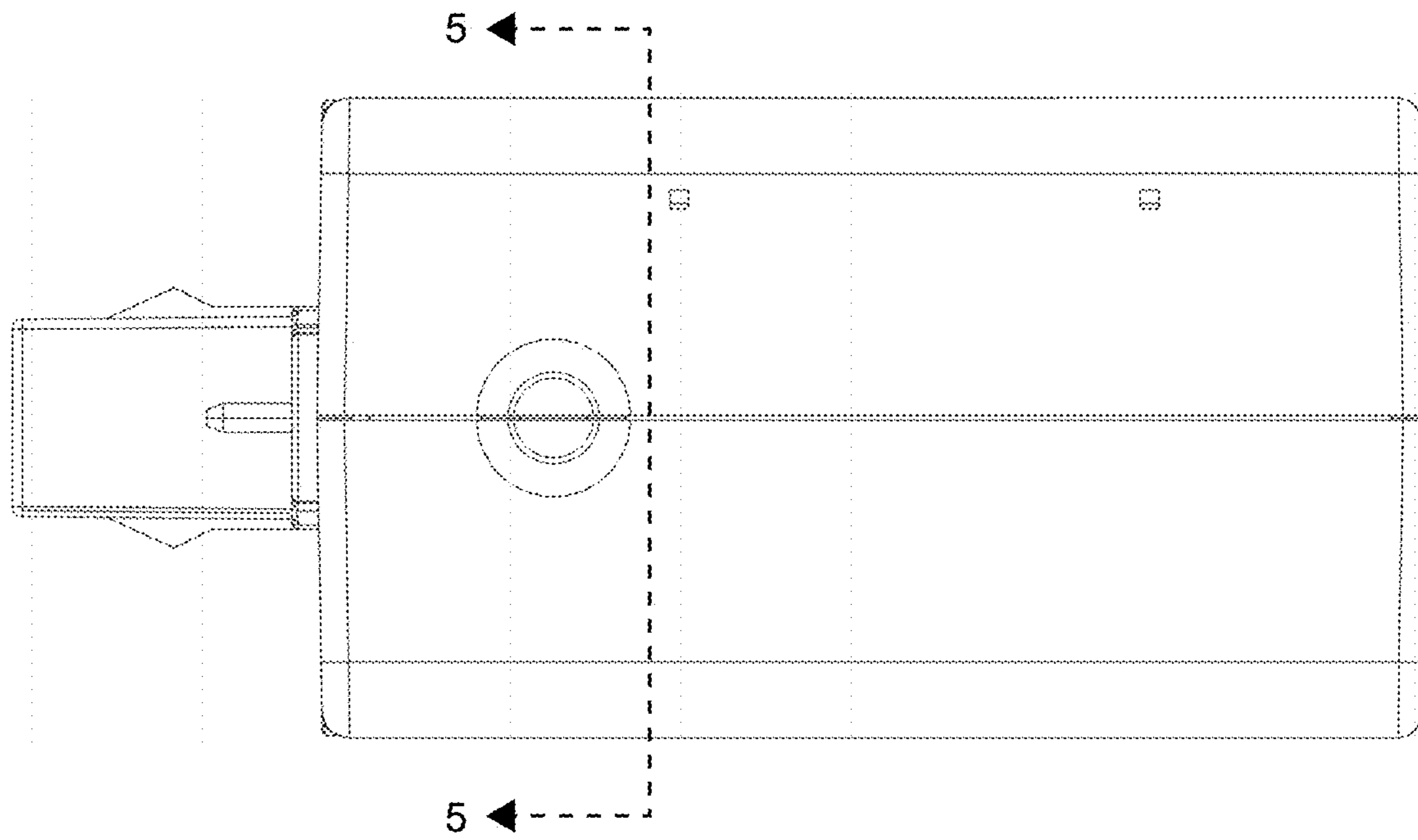


Fig. 3



*FIG. 4*

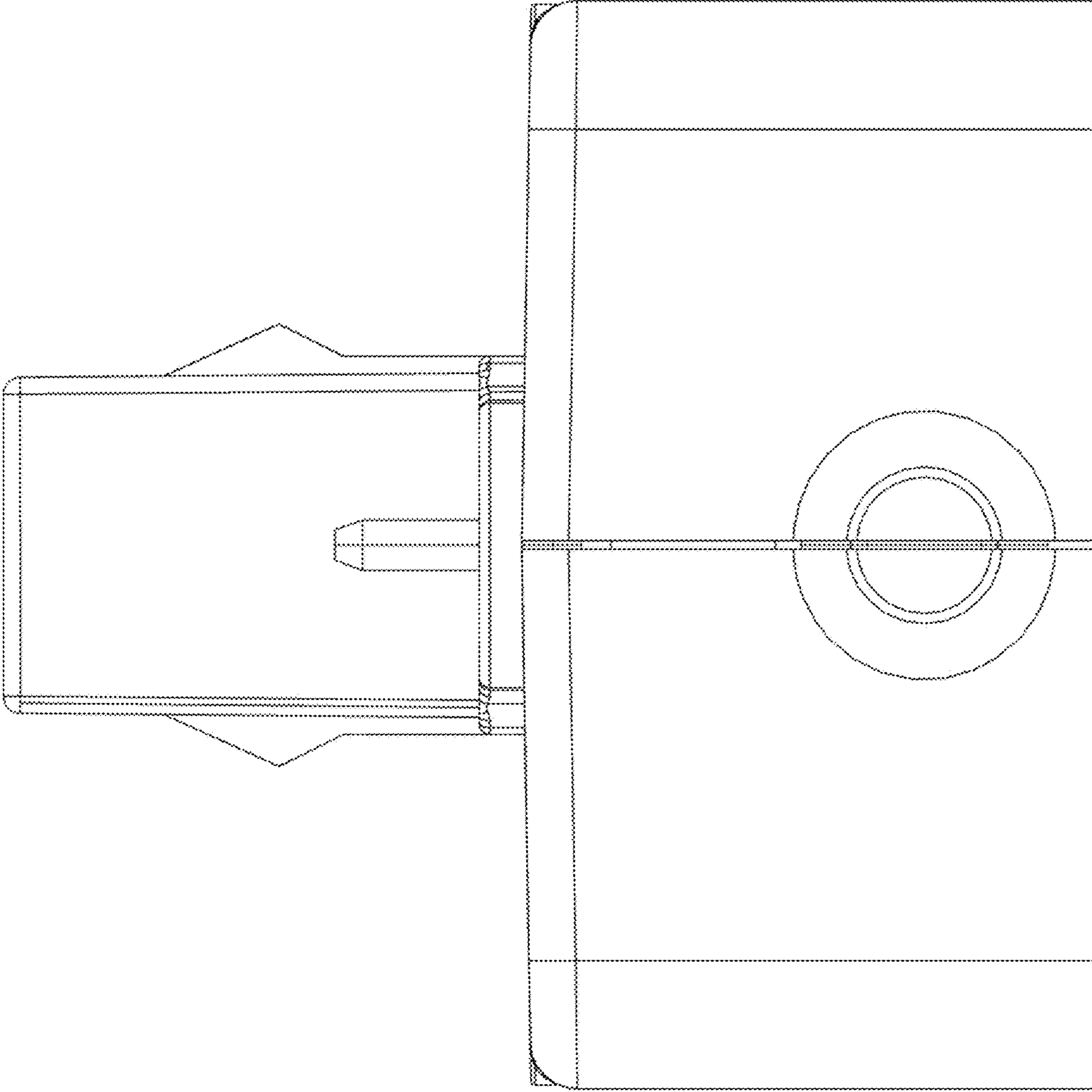


Fig. 5

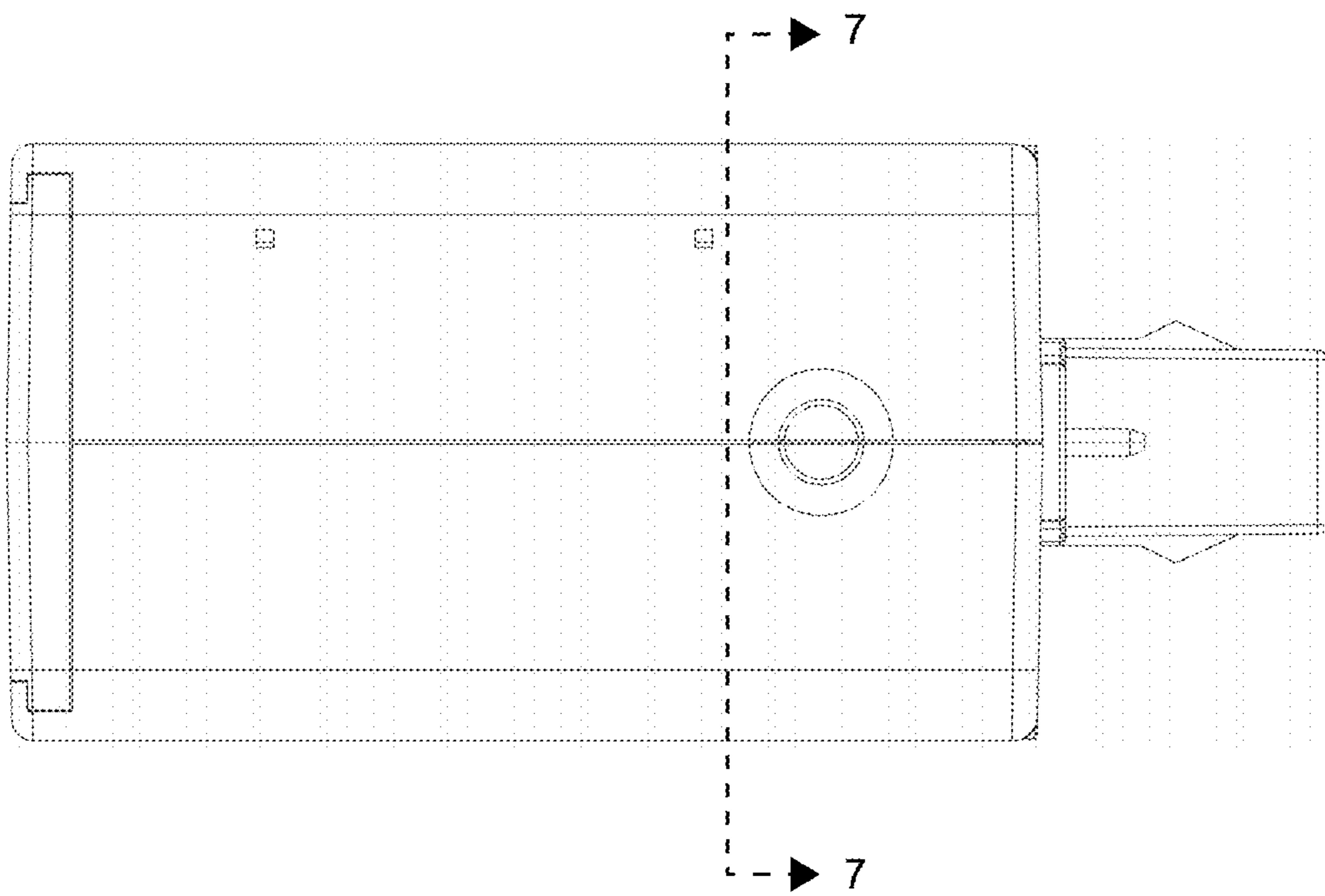


FIG. 6



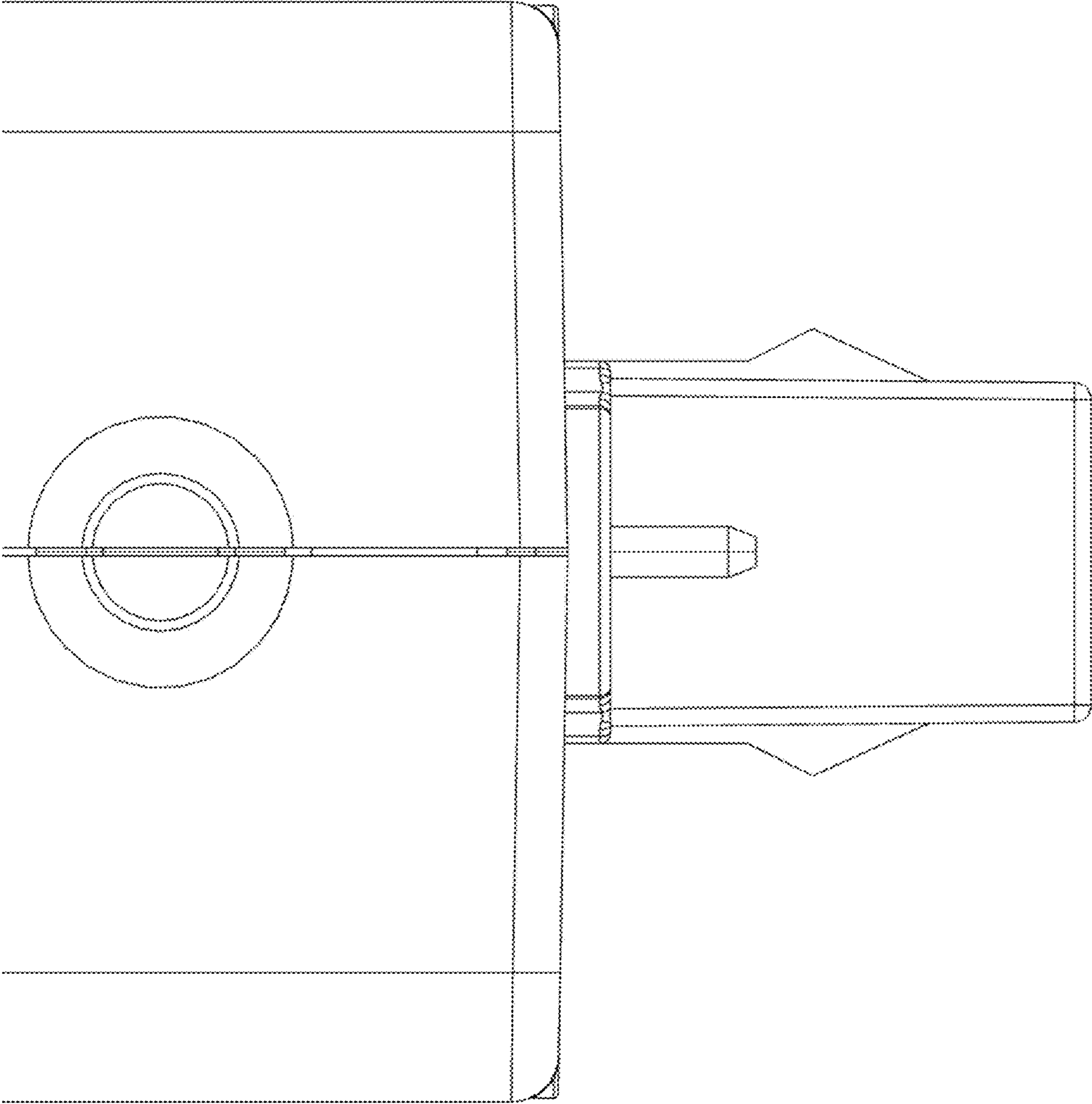


Fig. 7

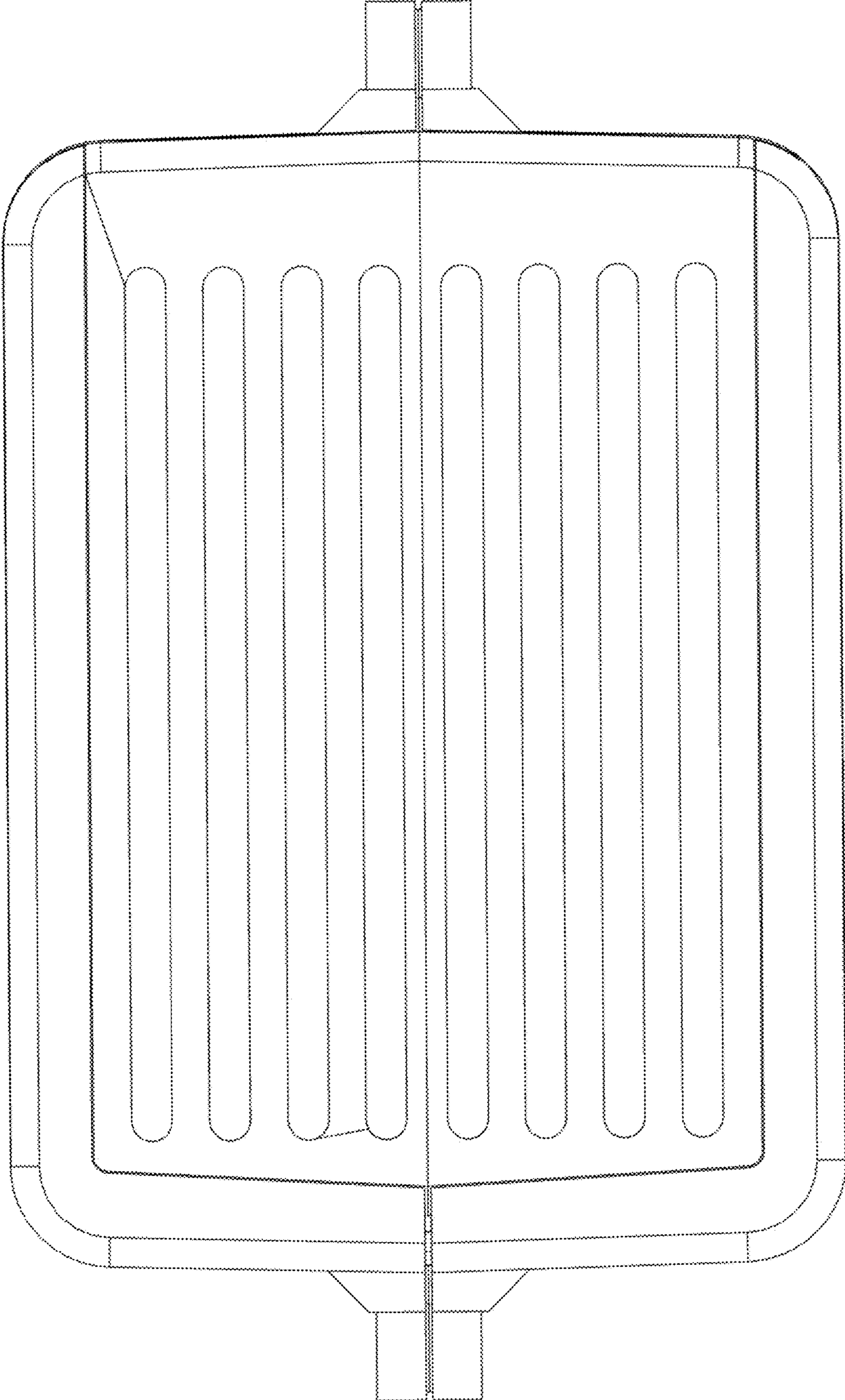


Fig. 8

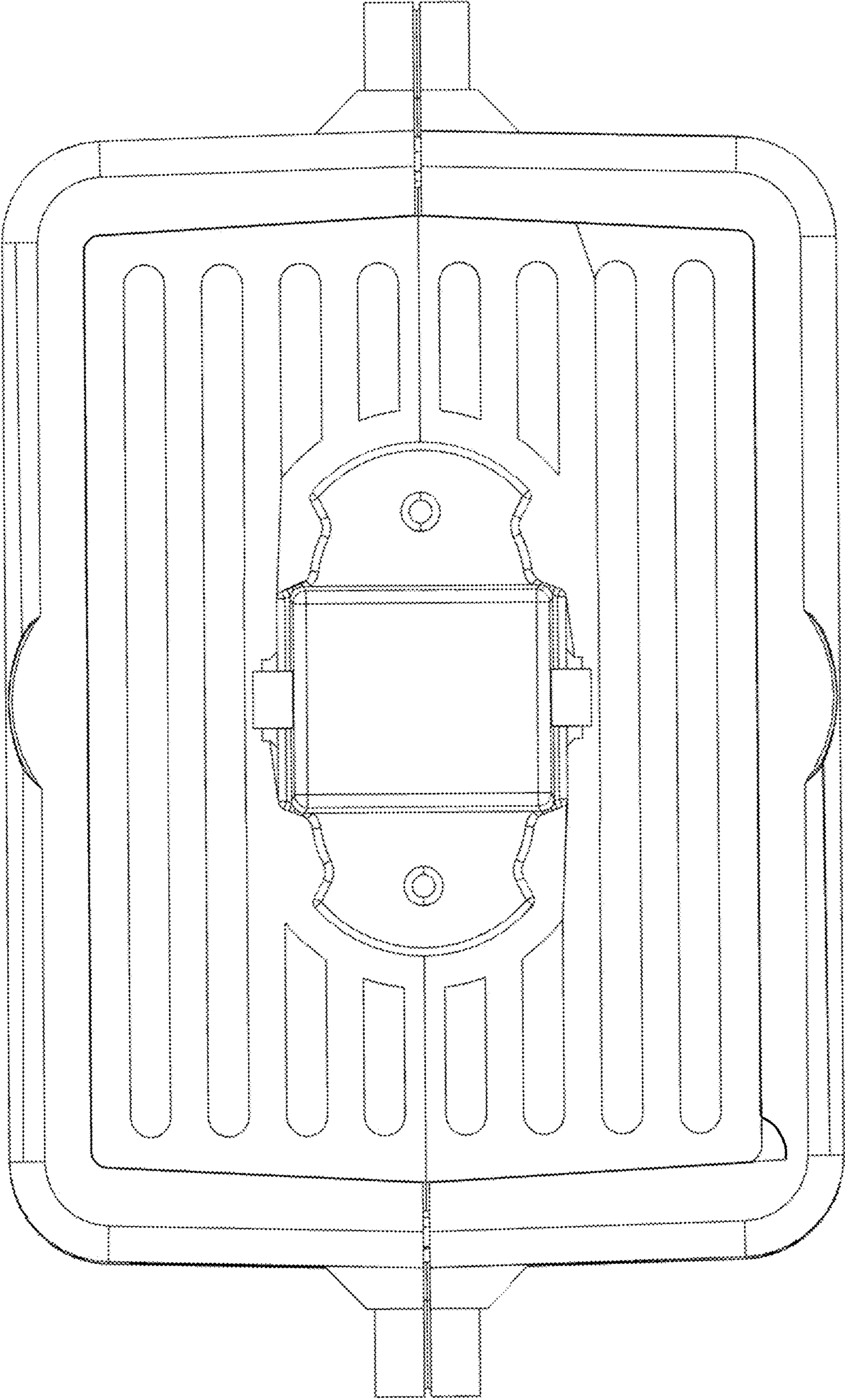


Fig. 9

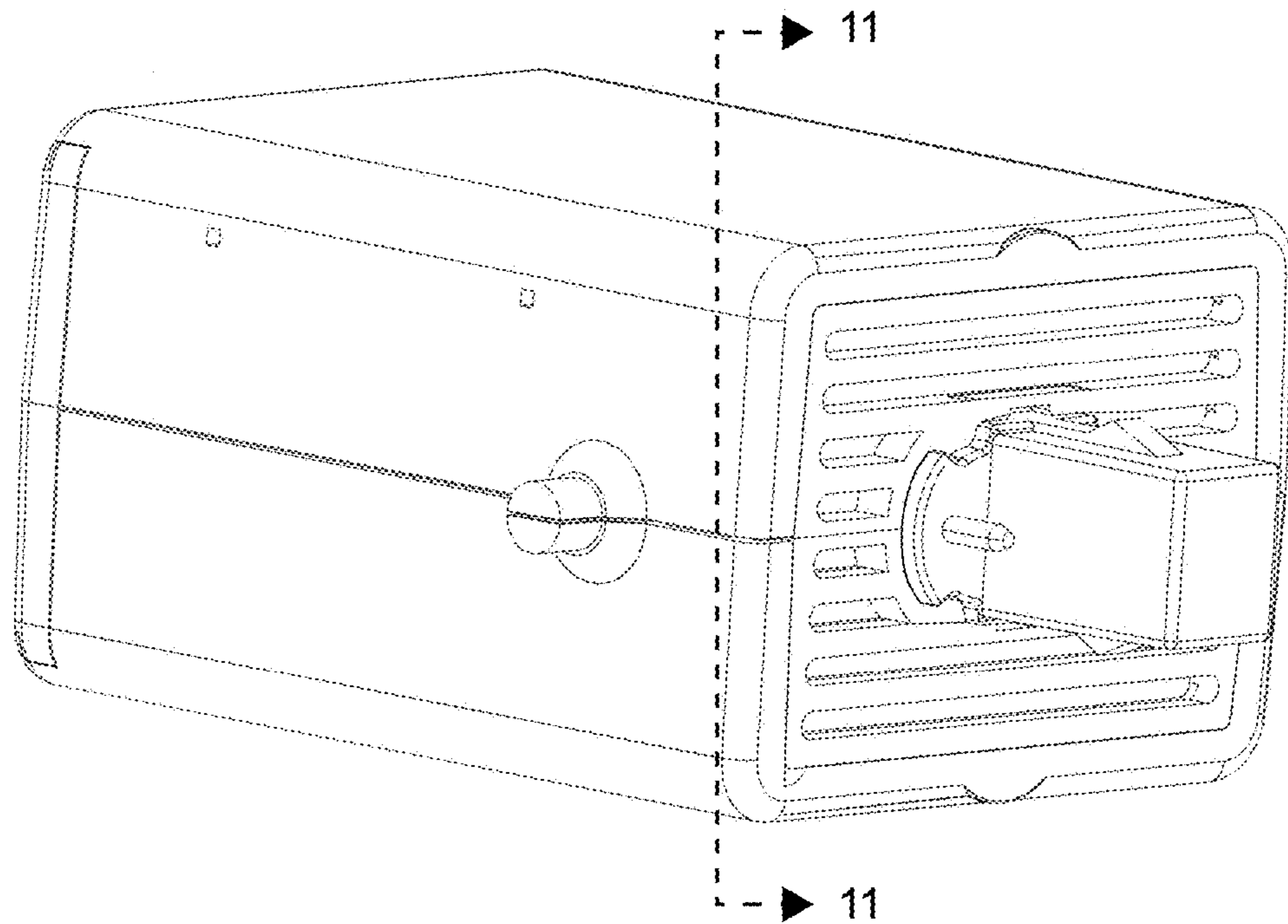


FIG. 10

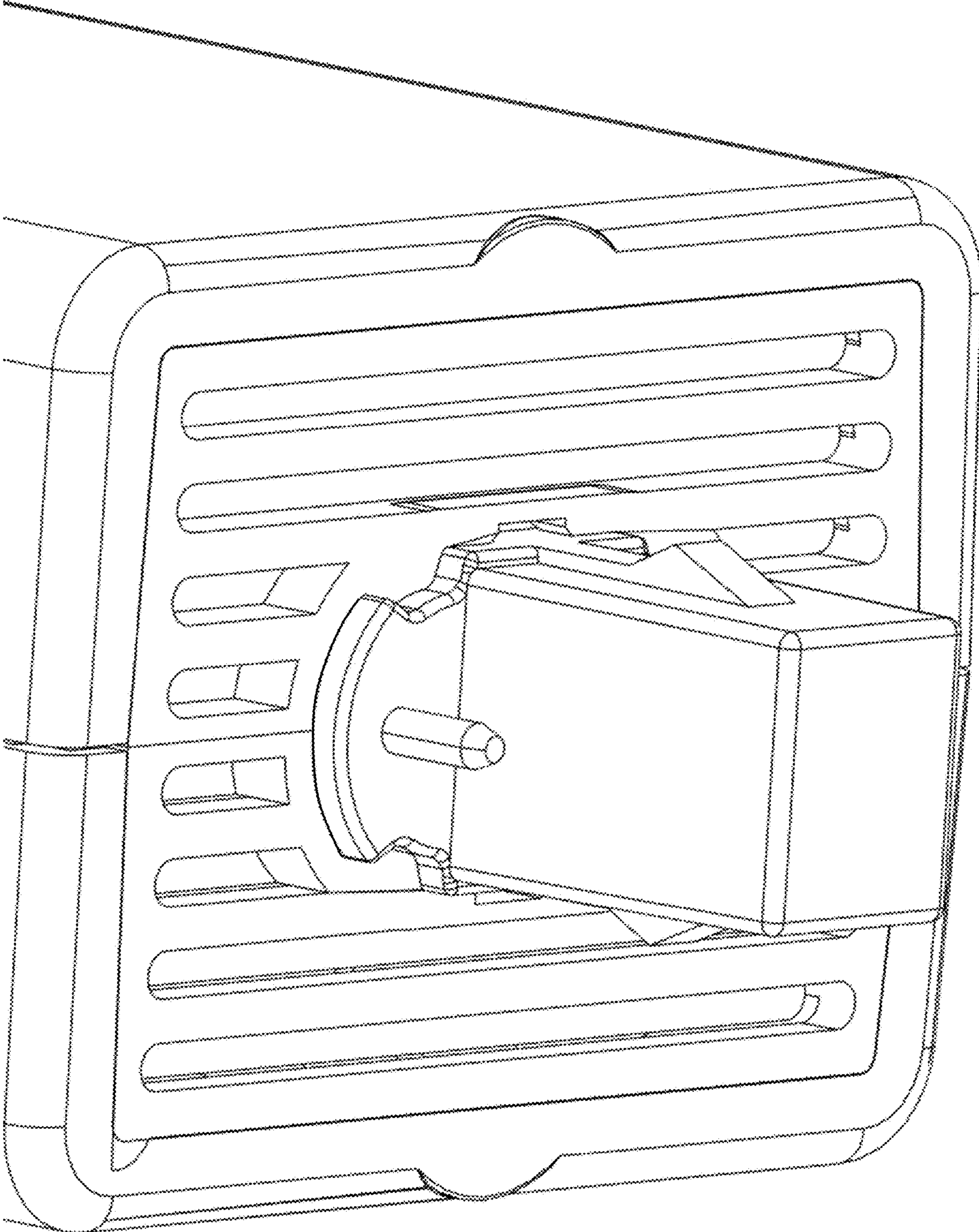


Fig. 11

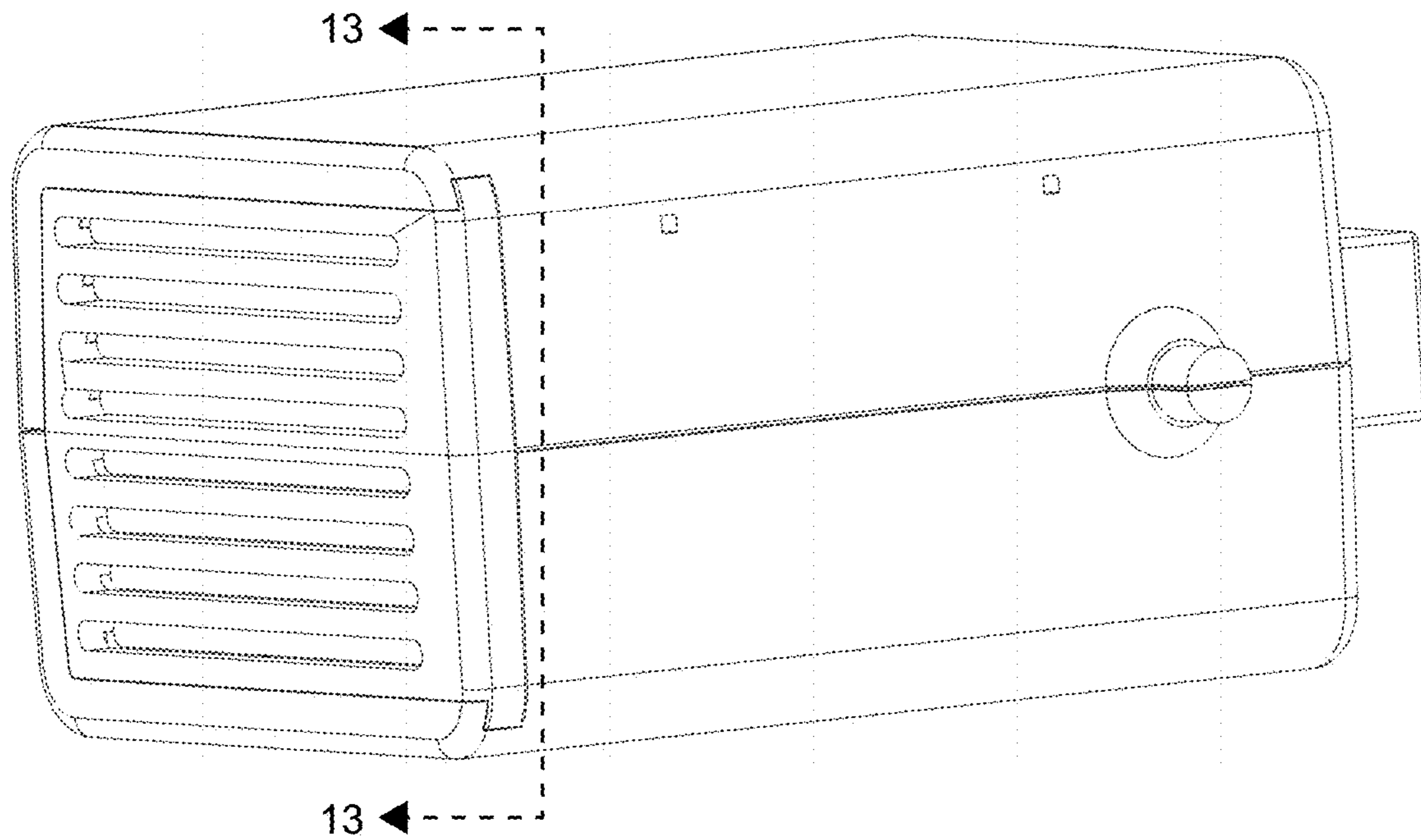


FIG. 12

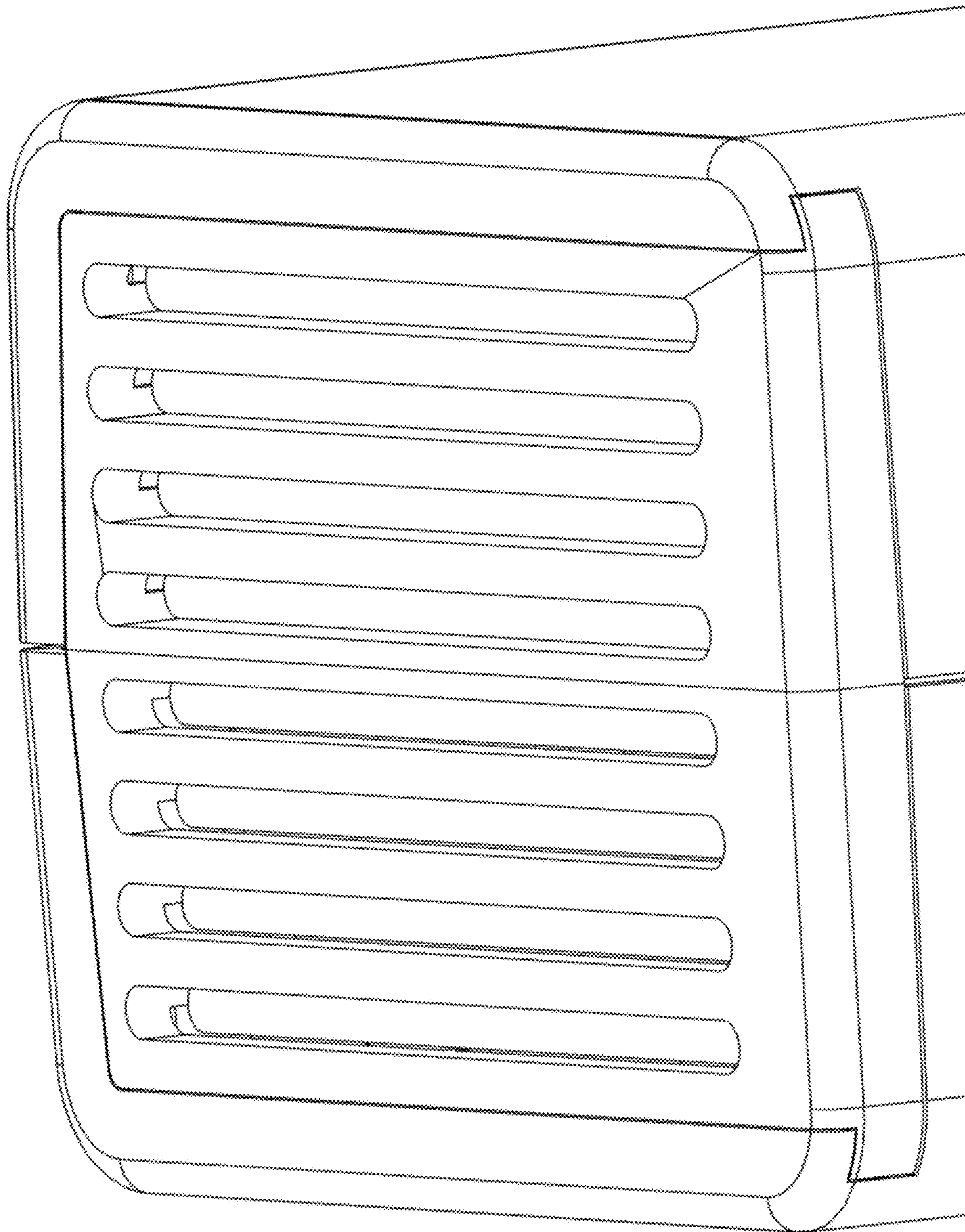


Fig. 13

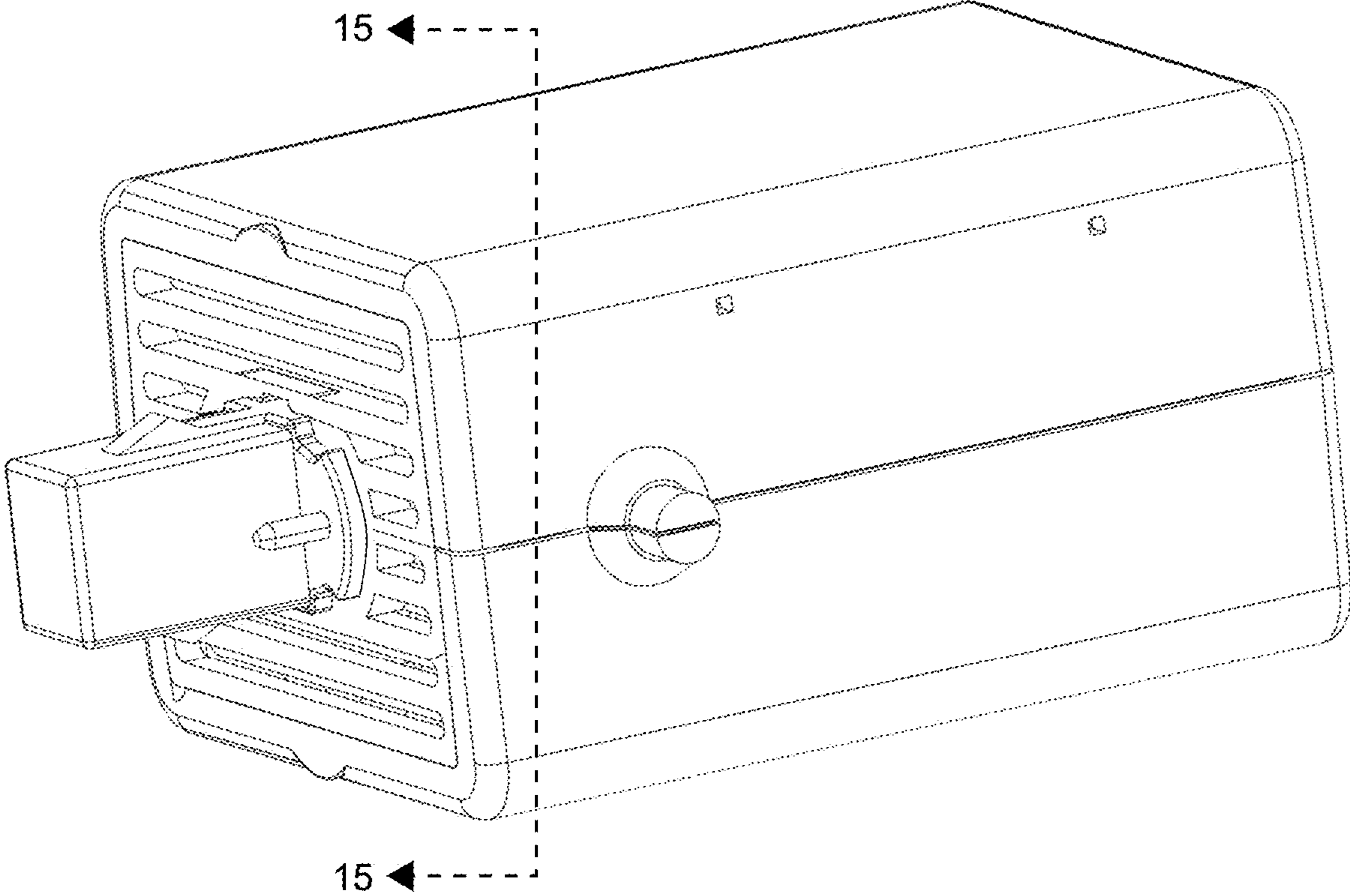


FIG. 14



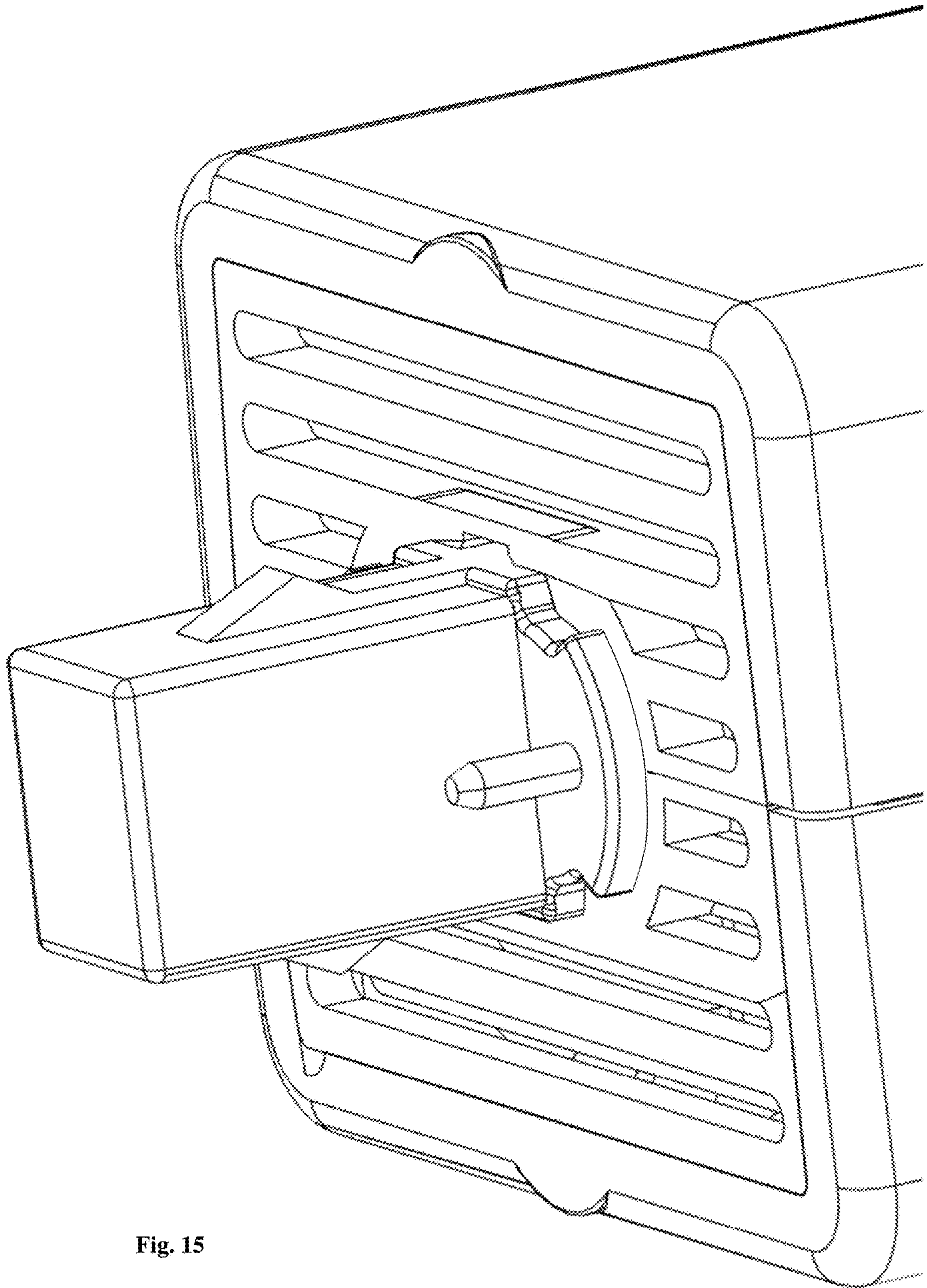


Fig. 15

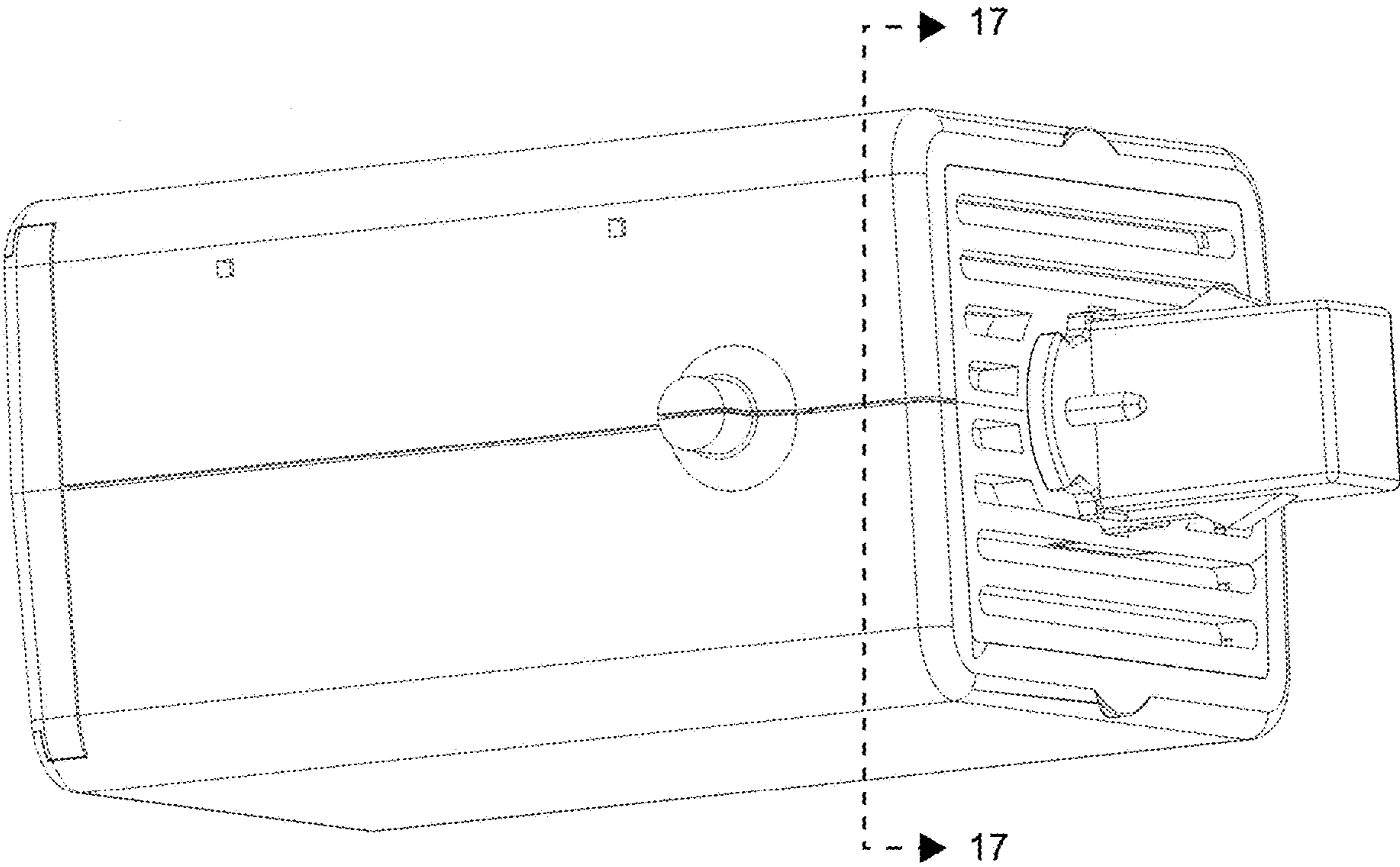


FIG. 16

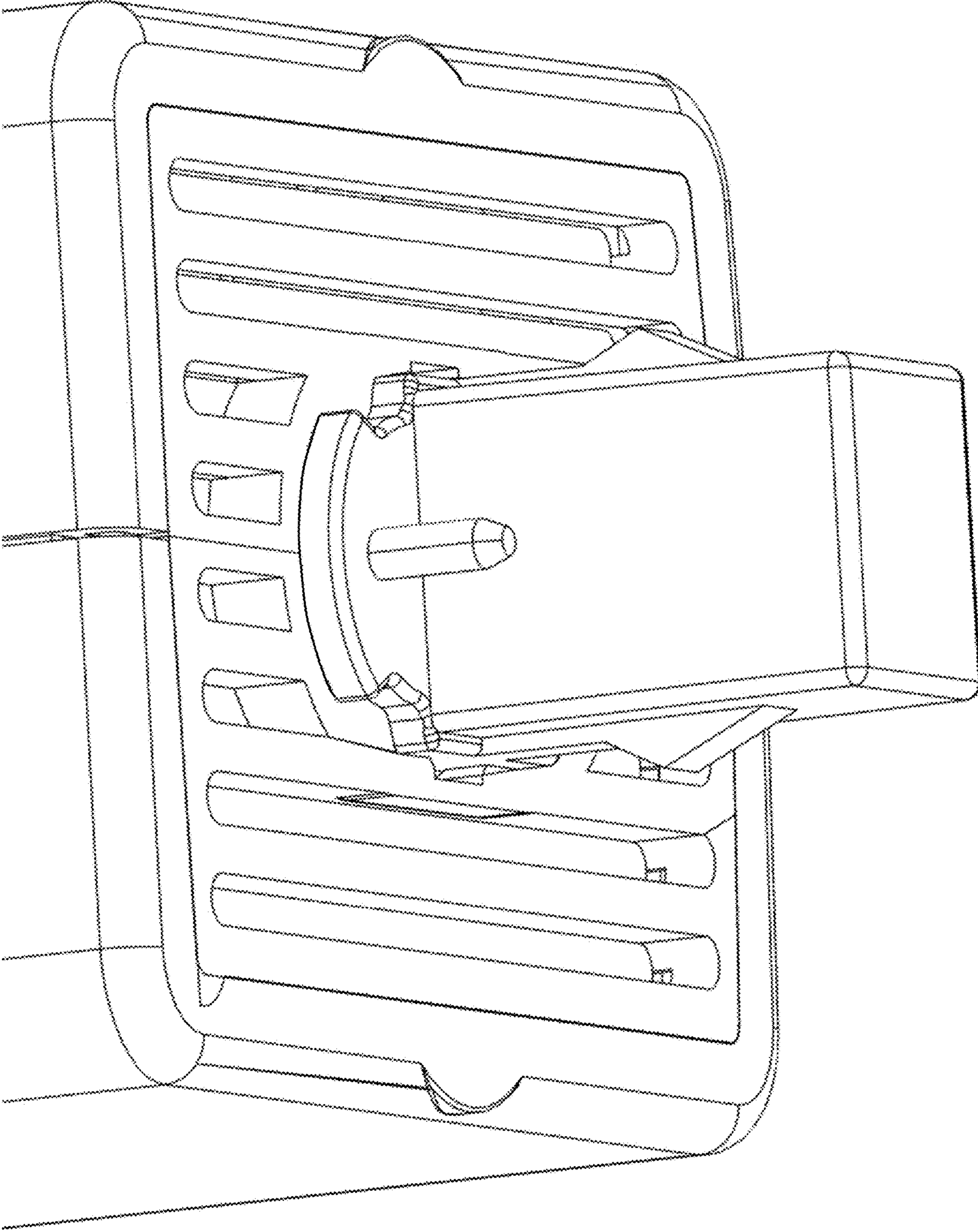


Fig. 17

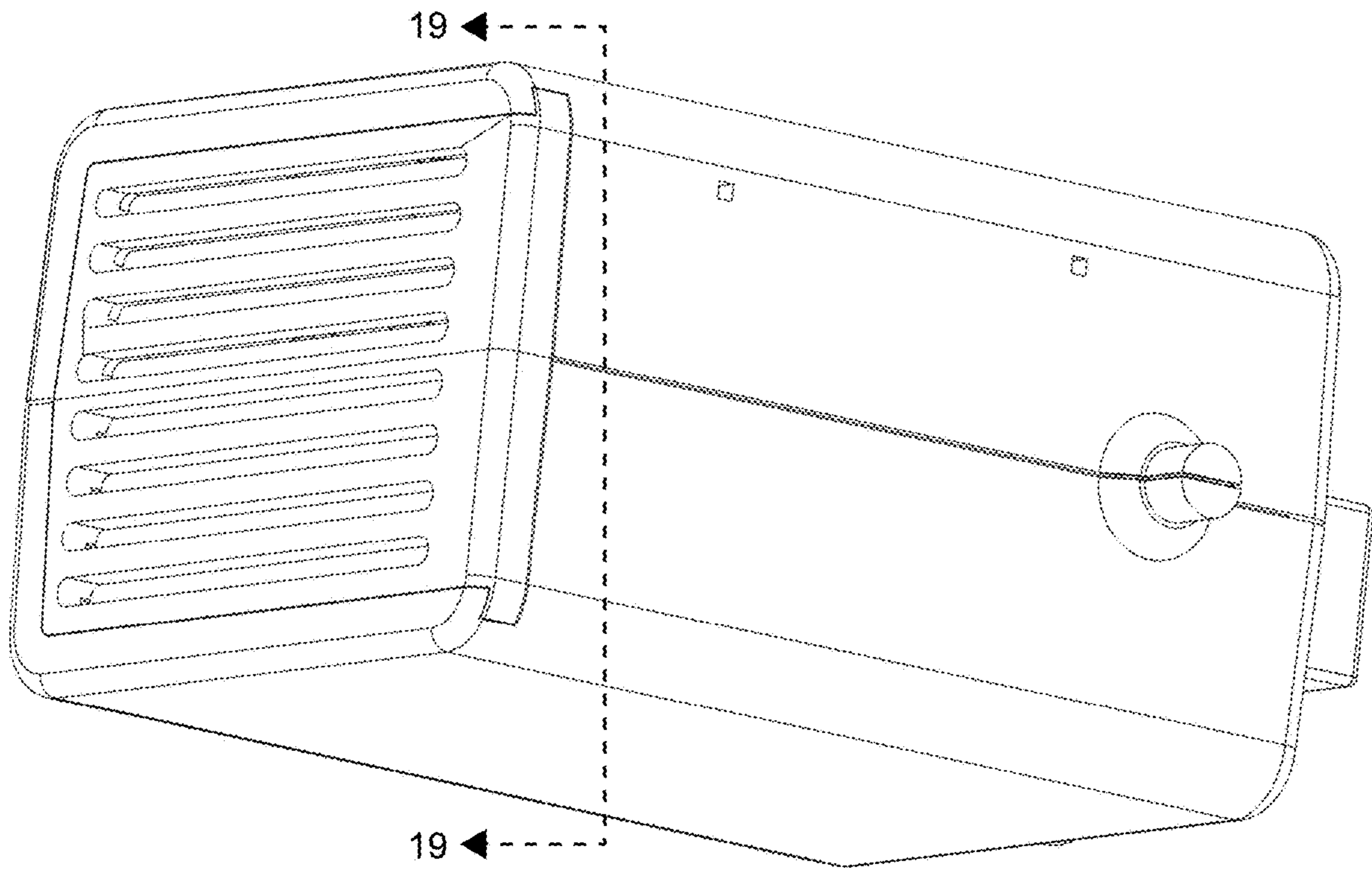


FIG. 18

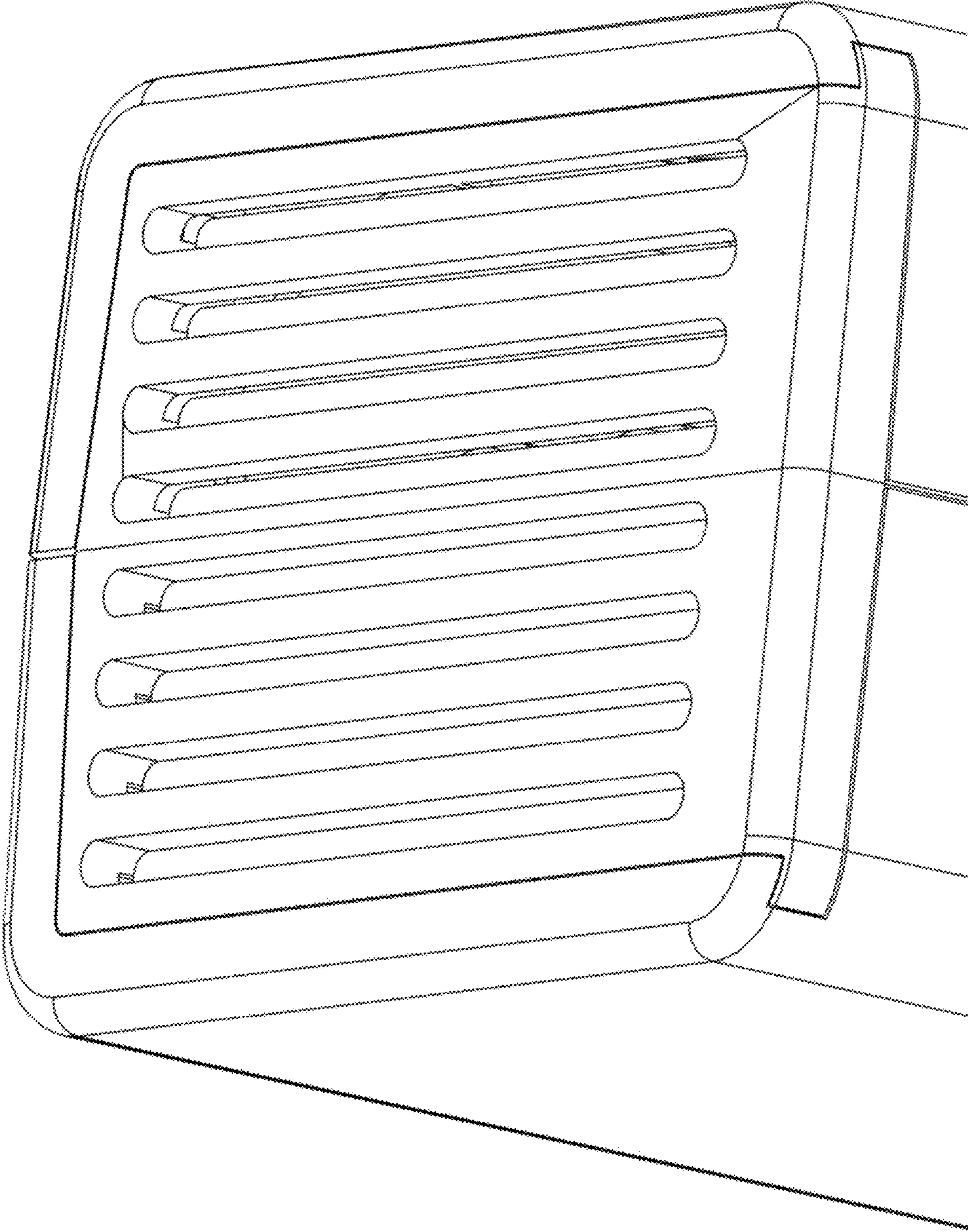


Fig. 19

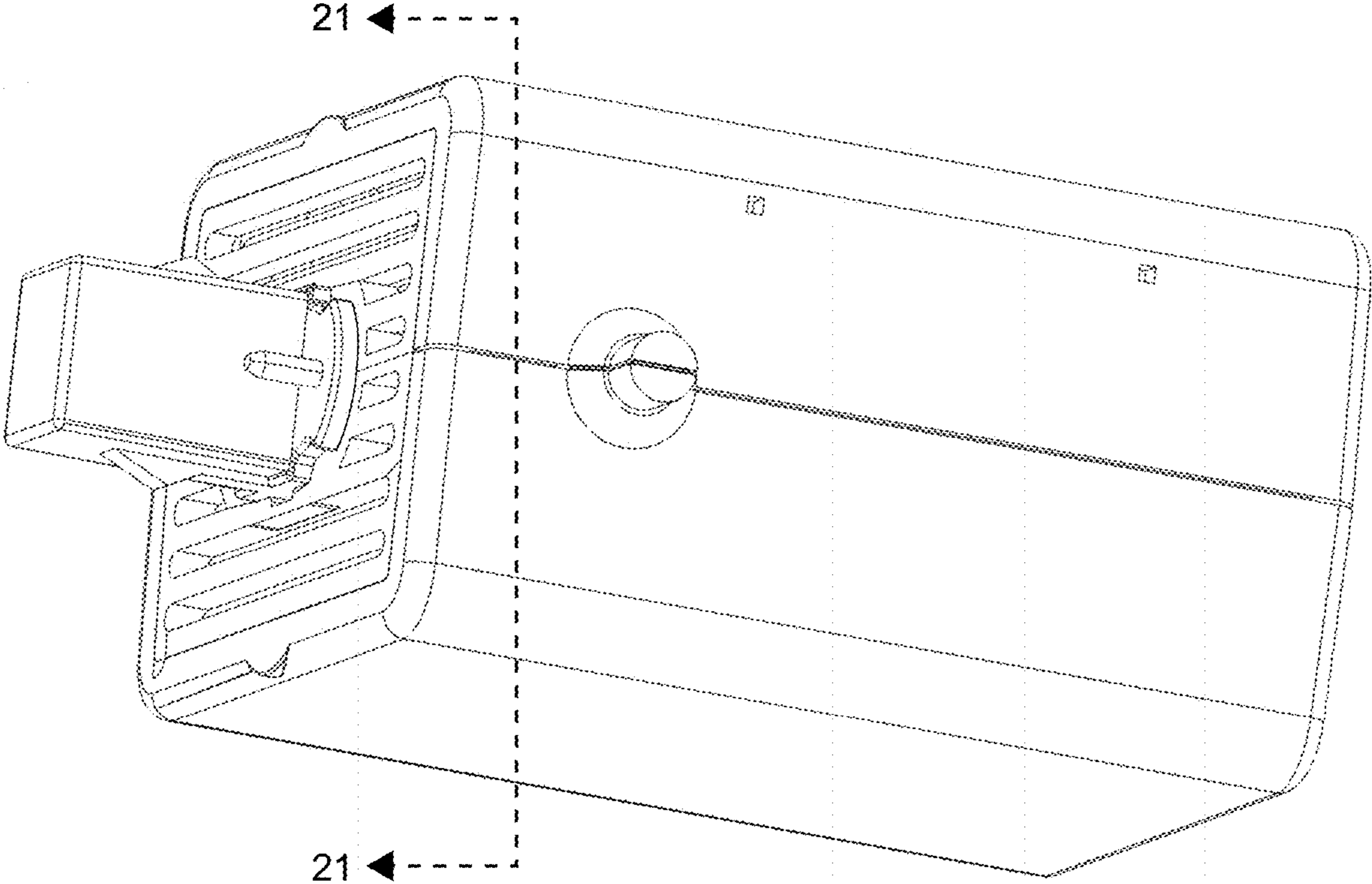


FIG. 20

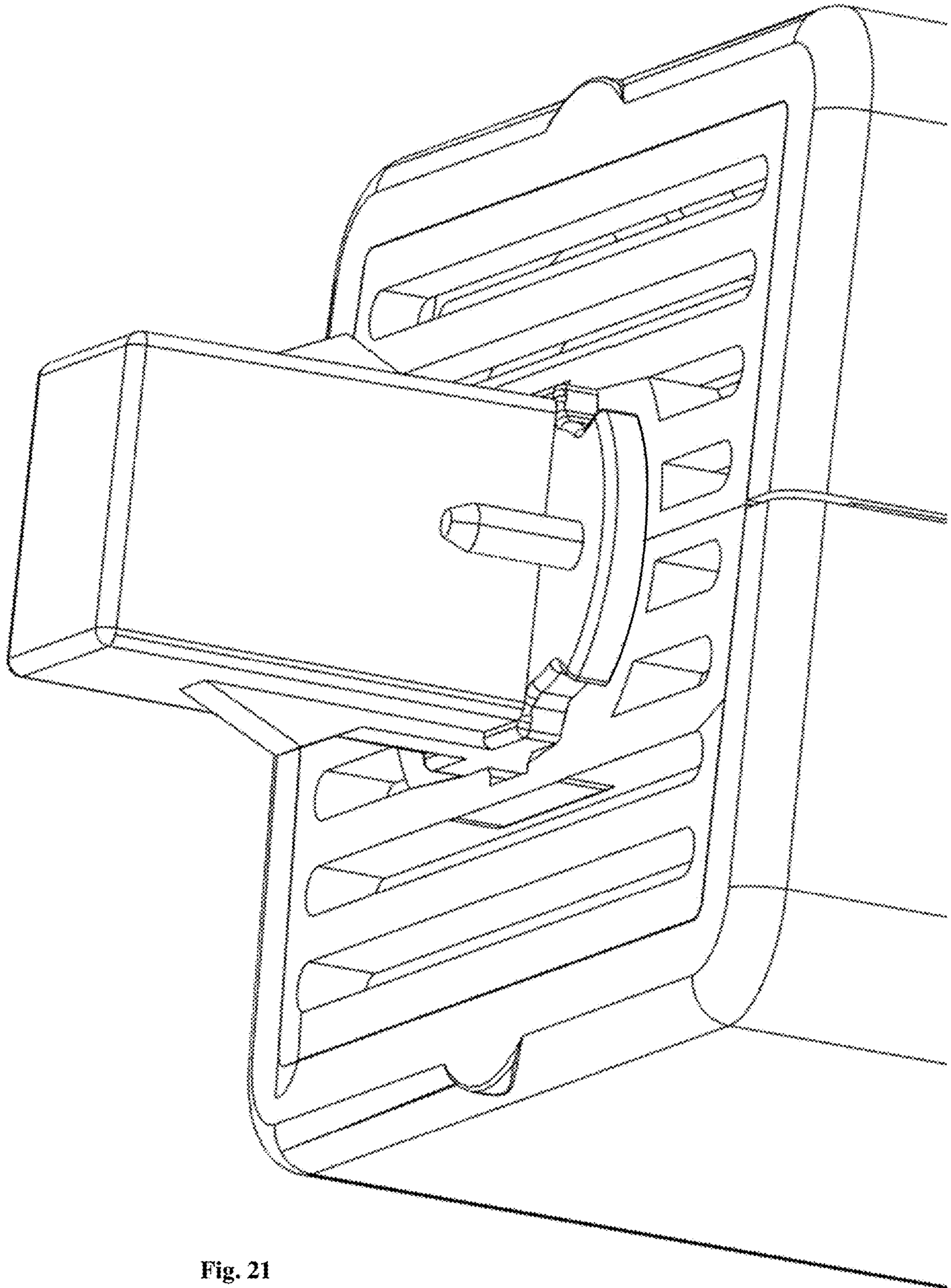


Fig. 21

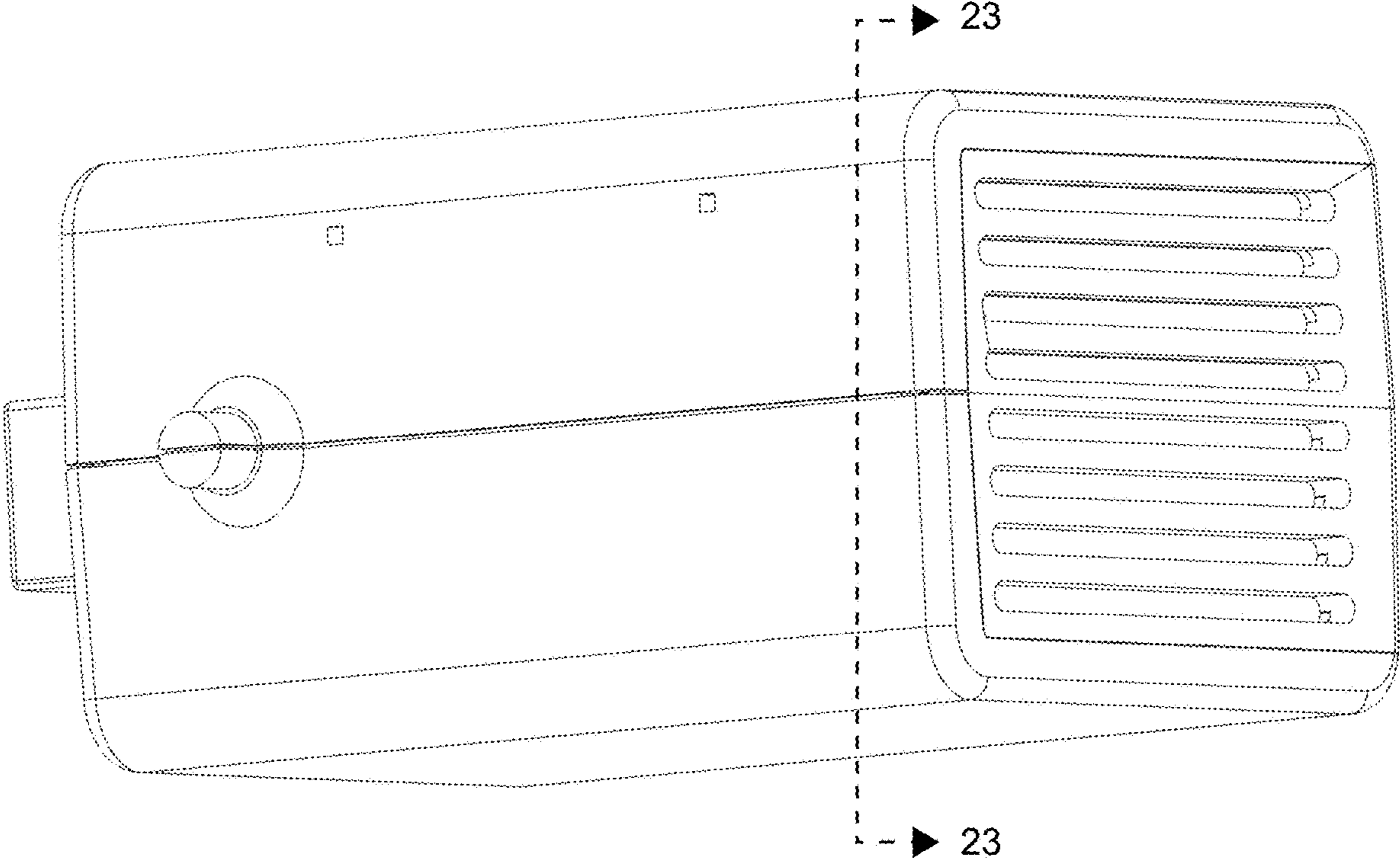


FIG. 22



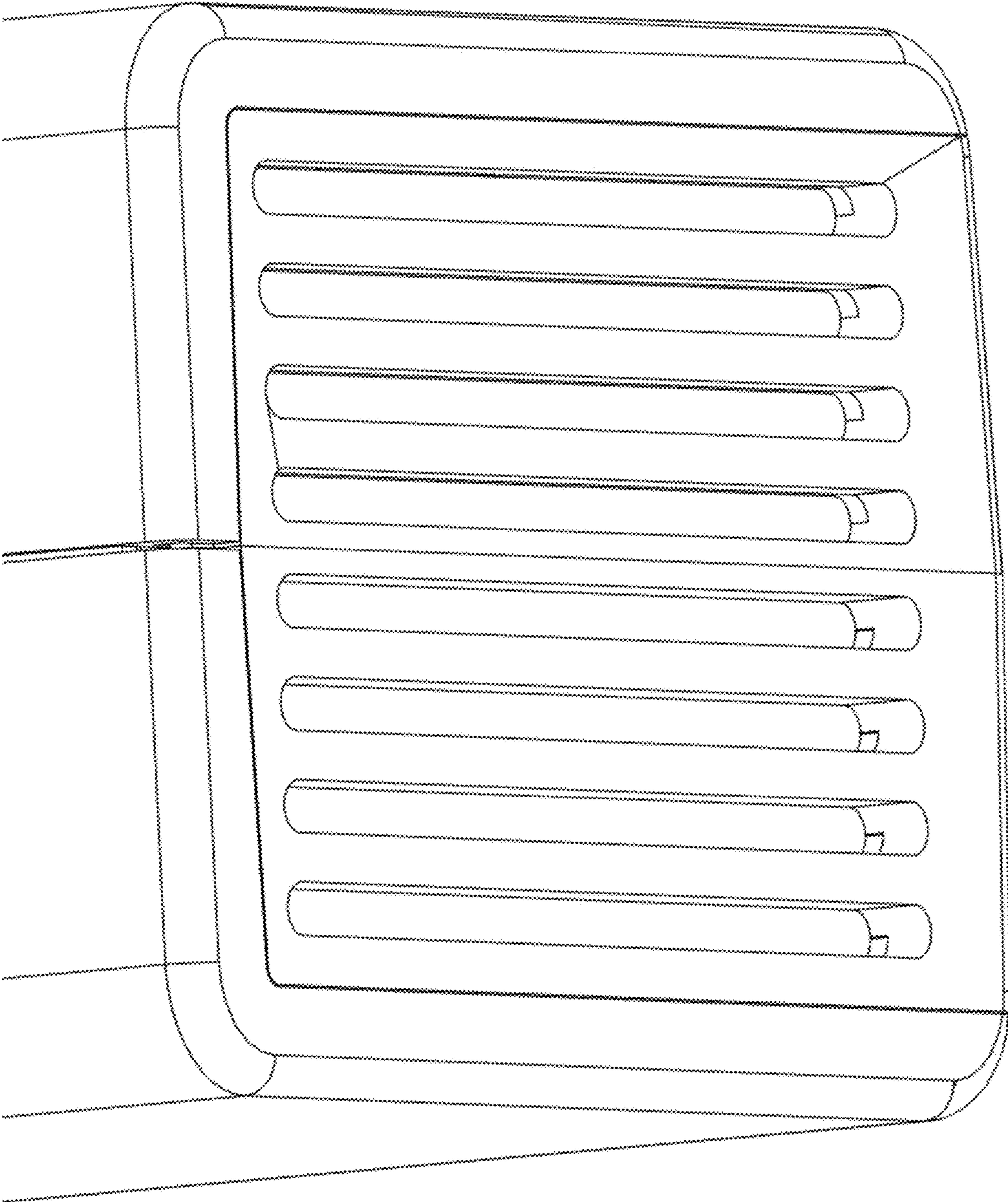


Fig. 23