



US00D975258S

(12) **United States Design Patent**
Zhang

(10) **Patent No.:** **US D975,258 S**
(45) **Date of Patent:** **** Jan. 10, 2023**

- (54) **STEAMER APPARATUS**
- (71) Applicant: **Zhongshan Okay Plastics & Electronic Co., Ltd., Zhongshan (CN)**
- (72) Inventor: **Rangming Zhang, Zhongshan (CN)**
- (73) Assignee: **ZHONGSHAN OKAY PLASTICS & ELECTRONIC CO., LTD, Zhongshan (CN)**
- (**) Term: **15 Years**
- (21) Appl. No.: **29/768,853**
- (22) Filed: **Feb. 1, 2021**
- (30) **Foreign Application Priority Data**

Dec. 3, 2020 (CN) 202030742691.9

- (51) **LOC (14) Cl.** **23-04**
- (52) **U.S. Cl.**
USPC **D23/356**
- (58) **Field of Classification Search**
USPC D23/201, 207, 208, 225, 356-366
CPC .. A61L 9/16; A61L 9/22; B01D 47/00; B01D 47/027; B01D 2221/02; B01D 2259/4508; F24F 3/16; F24F 13/20; F24F 13/28; F24F 2001/0096
See application file for complete search history.

(56) **References Cited**
U.S. PATENT DOCUMENTS

D703,300 S *	4/2014	Lee	D23/362
D806,217 S *	12/2017	Hui	D23/358
D811,571 S *	2/2018	Hu	D23/356
D816,200 S *	4/2018	Hu	D23/356
D837,960 S *	1/2019	Liang	D23/356
D857,185 S *	8/2019	Hu	D23/356
D878,528 S *	3/2020	Fu	D23/356
D897,515 S *	9/2020	Liu	D23/356

D910,157 S *	2/2021	Yang	D23/356
D925,025 S *	7/2021	Du	D23/356
D925,715 S *	7/2021	Chen	D23/356
D926,957 S *	8/2021	Zhou	D23/356
D940,292 S *	1/2022	Wang	D23/366
D943,723 S *	2/2022	Yoon	D23/356
D948,688 S *	4/2022	Liu	D23/356

* cited by examiner

Primary Examiner — Karen S Acker
Assistant Examiner — Jonathan E Fiencke
(74) *Attorney, Agent, or Firm* — Tarter Krinsky & Drogin LLP

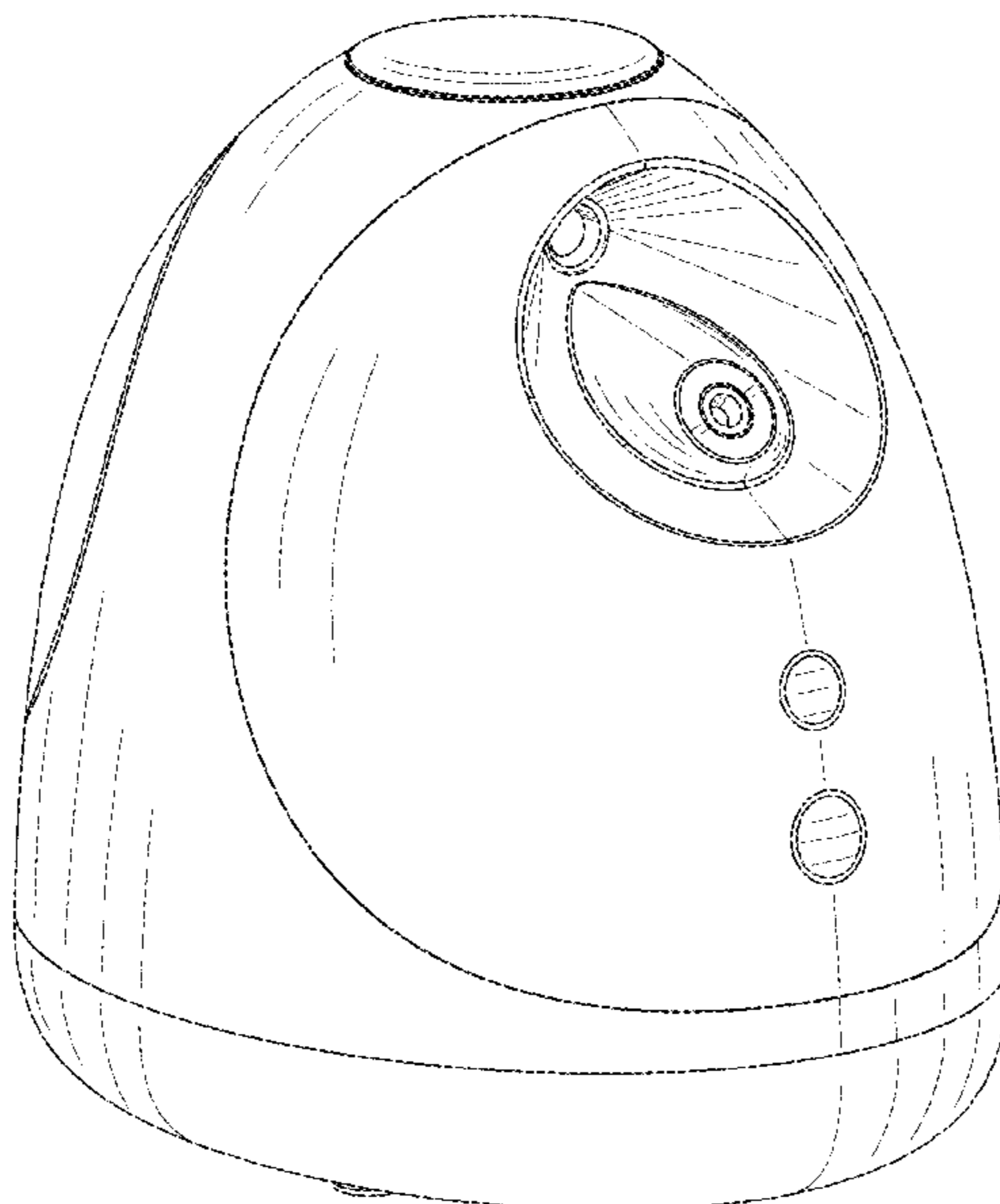
(57) **CLAIM**

The ornamental design for a steamer apparatus, as shown and described.

DESCRIPTION

FIG. 1 is a front perspective view of a steamer apparatus of the present disclosure;
 FIG. 2 is a rear perspective view of a steamer apparatus shown in FIG. 1;
 FIG. 3 is a front elevational view of the steamer apparatus shown in FIG. 1;
 FIG. 4 is a rear elevational view of the steamer apparatus shown in FIG. 1;
 FIG. 5 is a left-side elevational view of the steamer apparatus shown in FIG. 1;
 FIG. 6 is a right-side elevational view of the steamer apparatus shown in FIG. 1;
 FIG. 7 is a top plan view of the steamer apparatus shown in FIG. 1; and,
 FIG. 8 is a bottom plan view of the steamer apparatus shown in FIG. 1.
 The broken lines shown in the drawings are for the purpose of illustrating portions of the steamer apparatus that form no part of the claimed design.

1 Claim, 8 Drawing Sheets



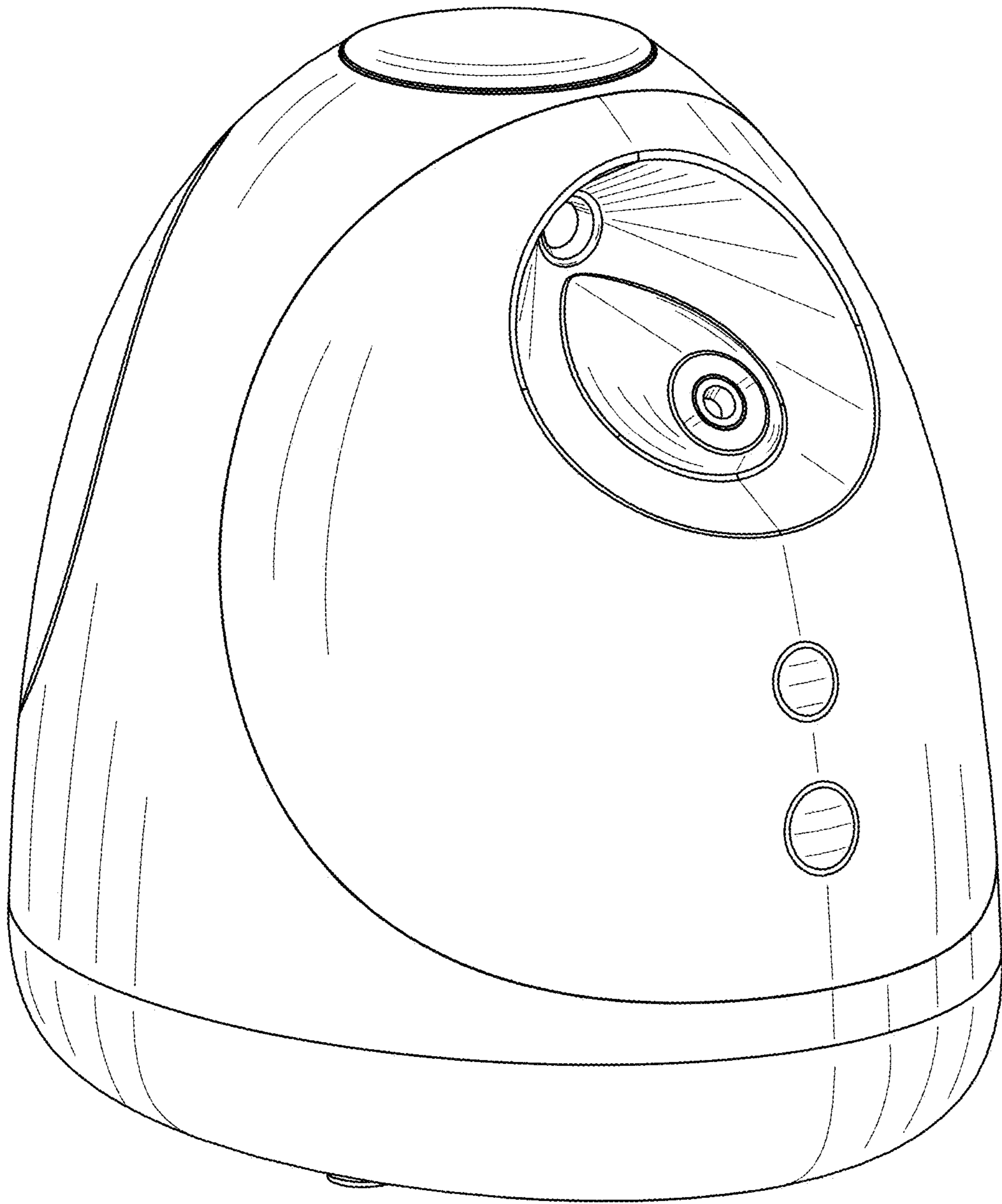


FIG. 1

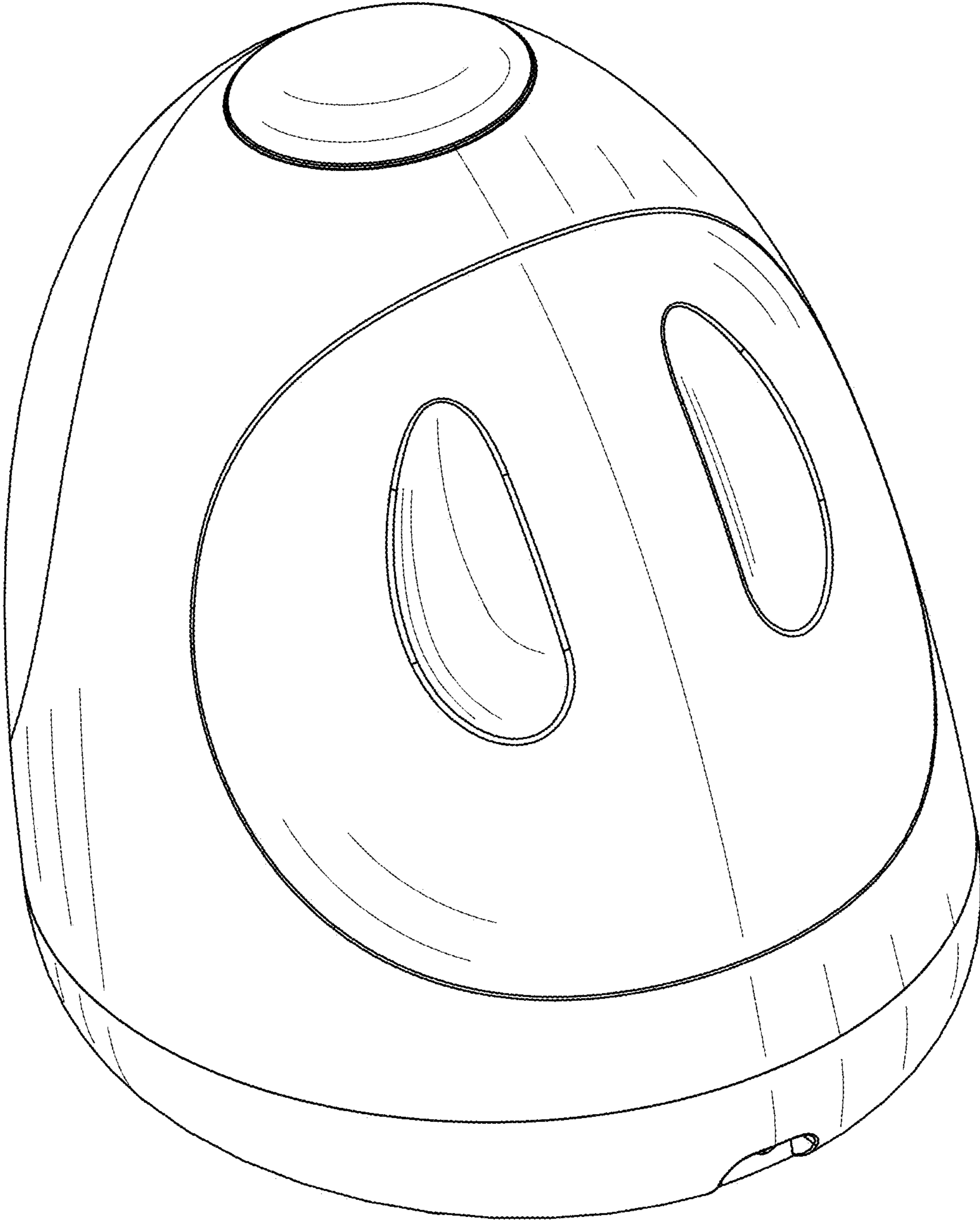


FIG. 2

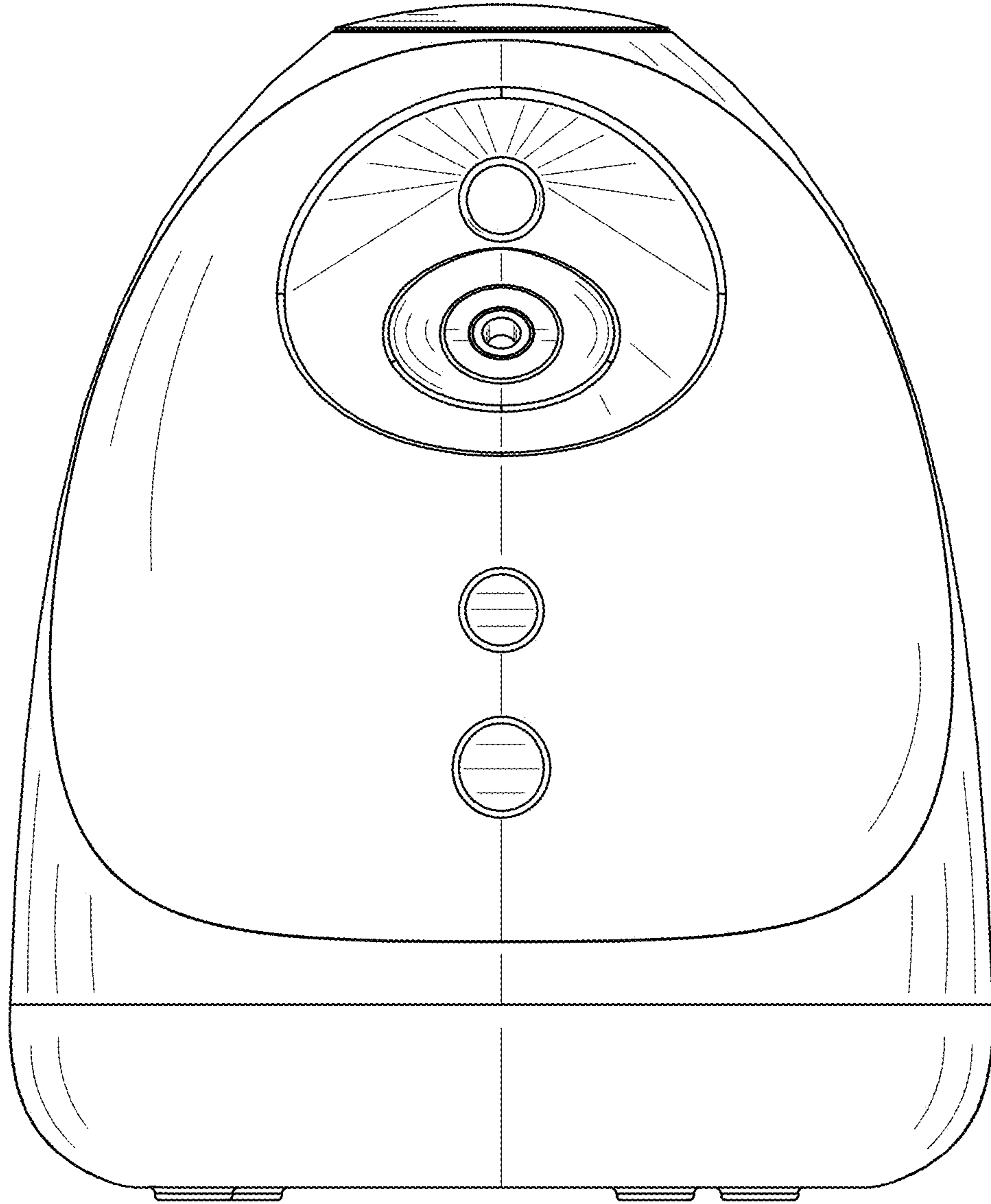


FIG. 3

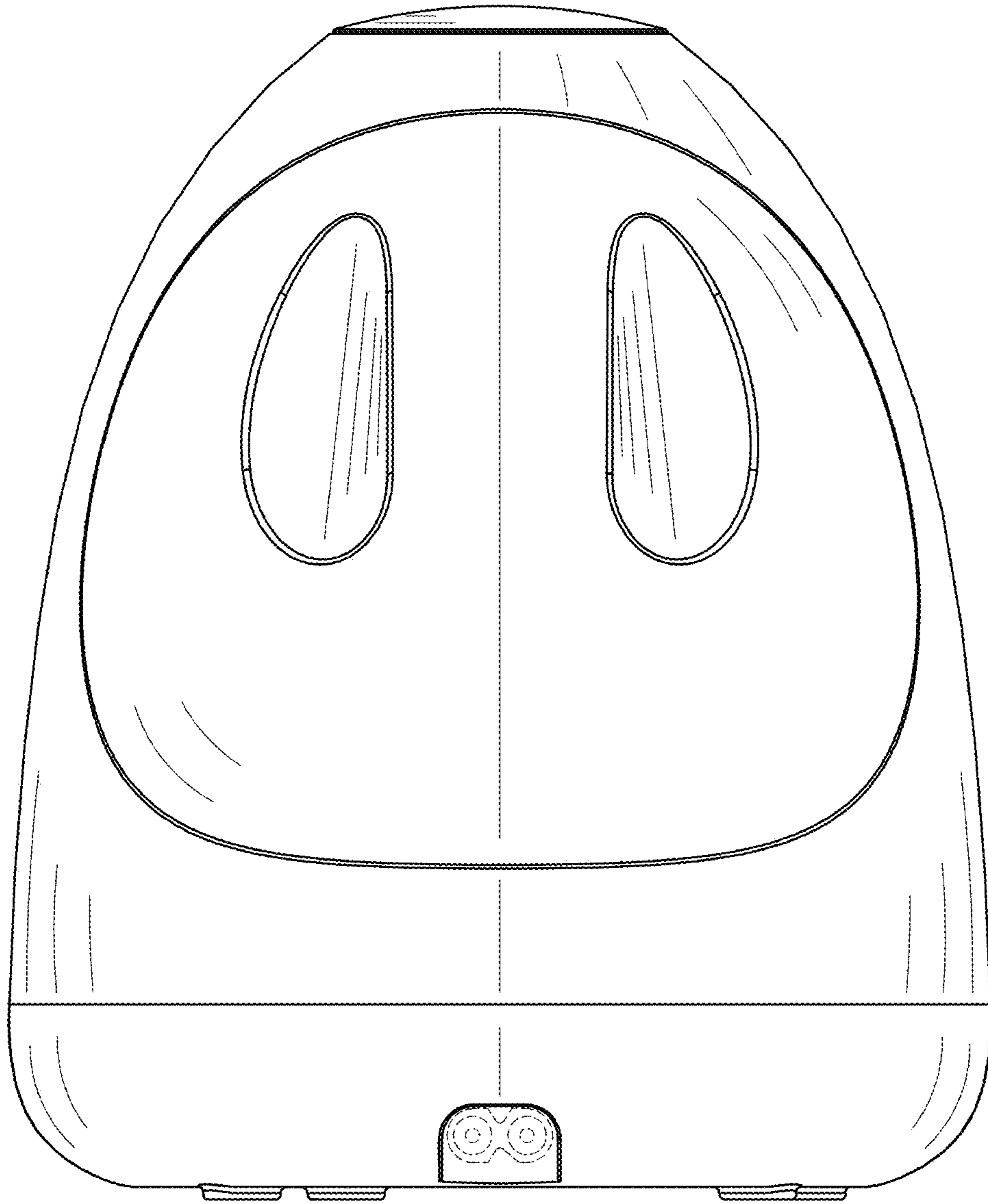


FIG. 4

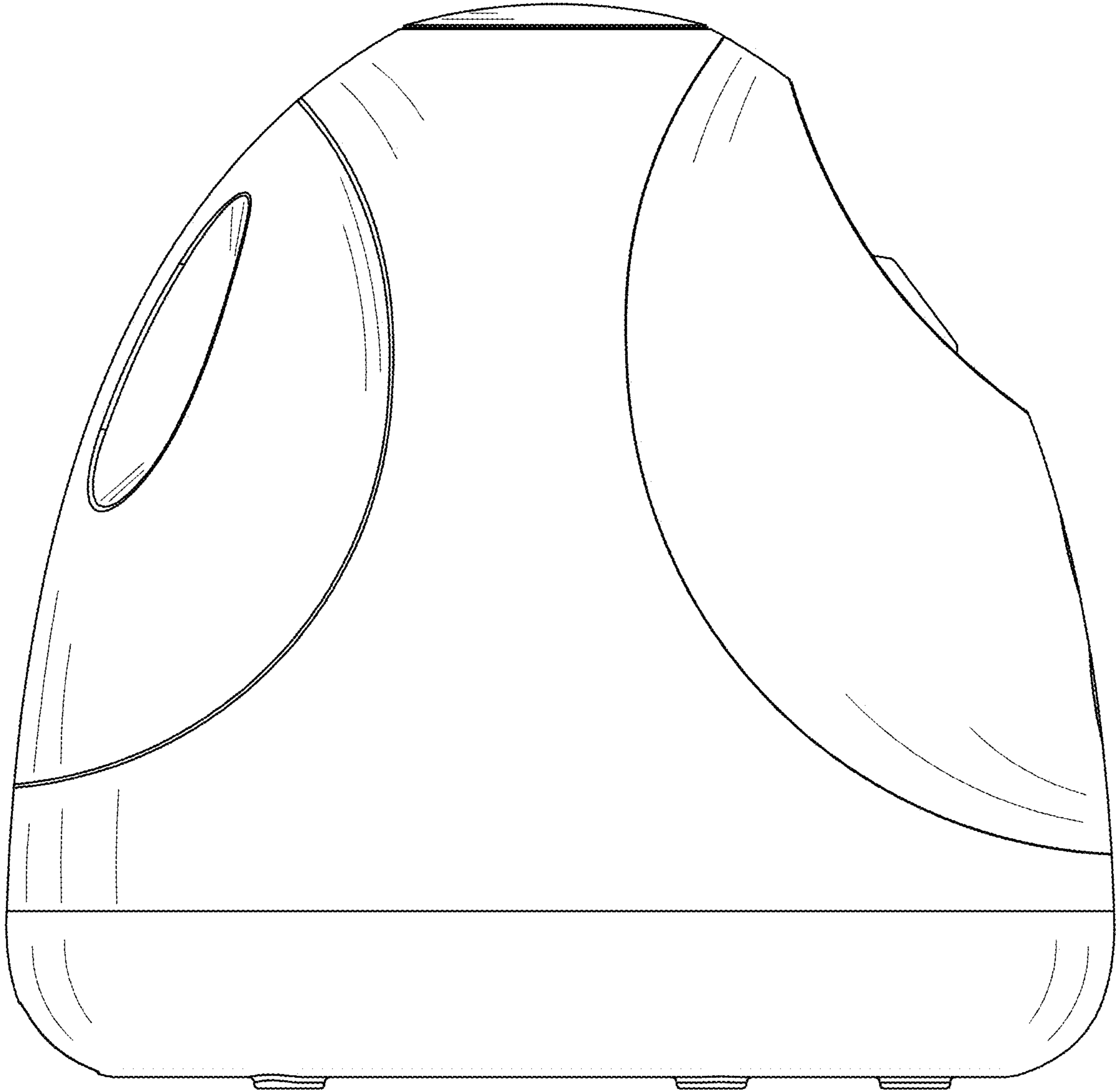


FIG. 5

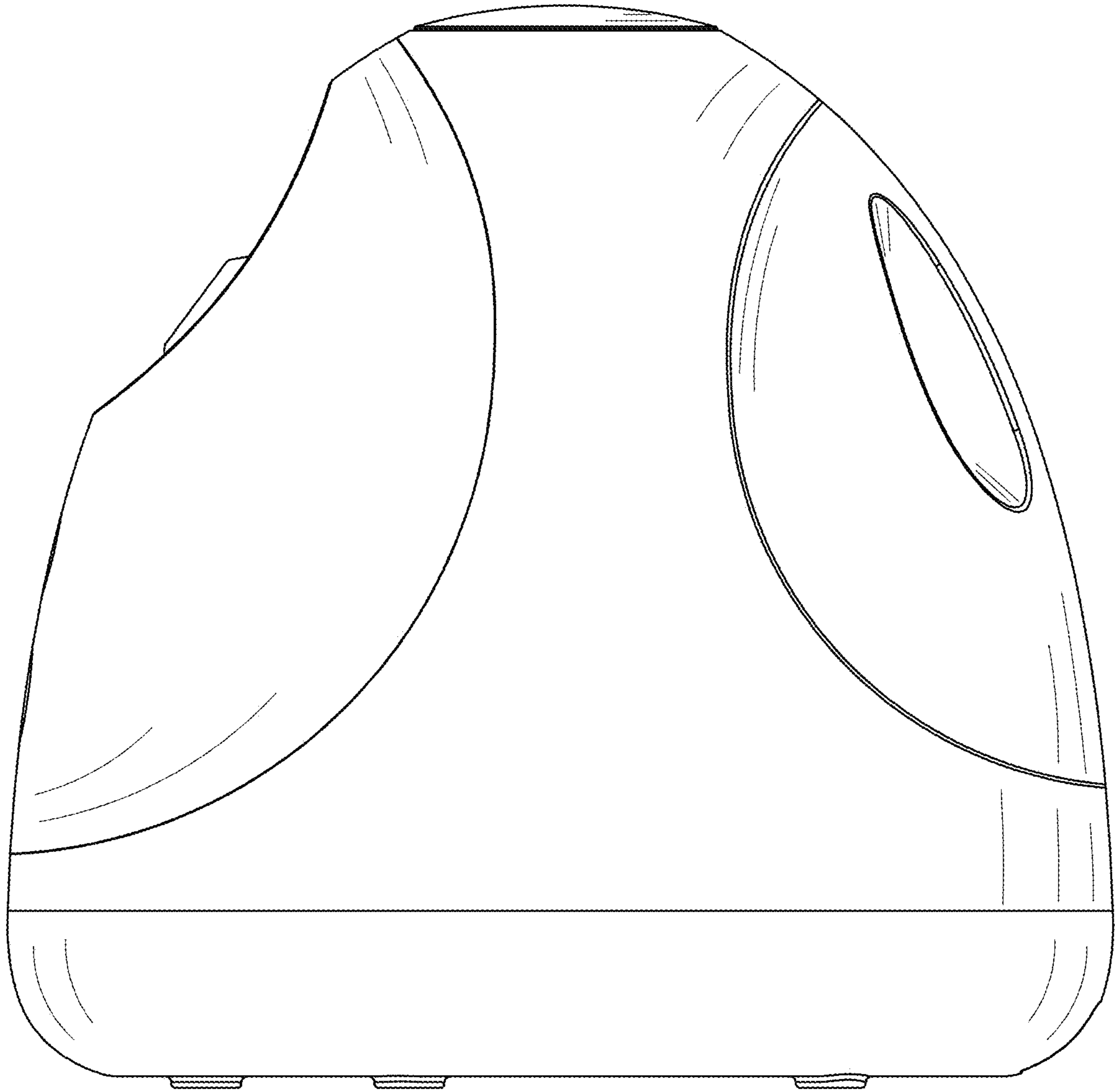


FIG. 6

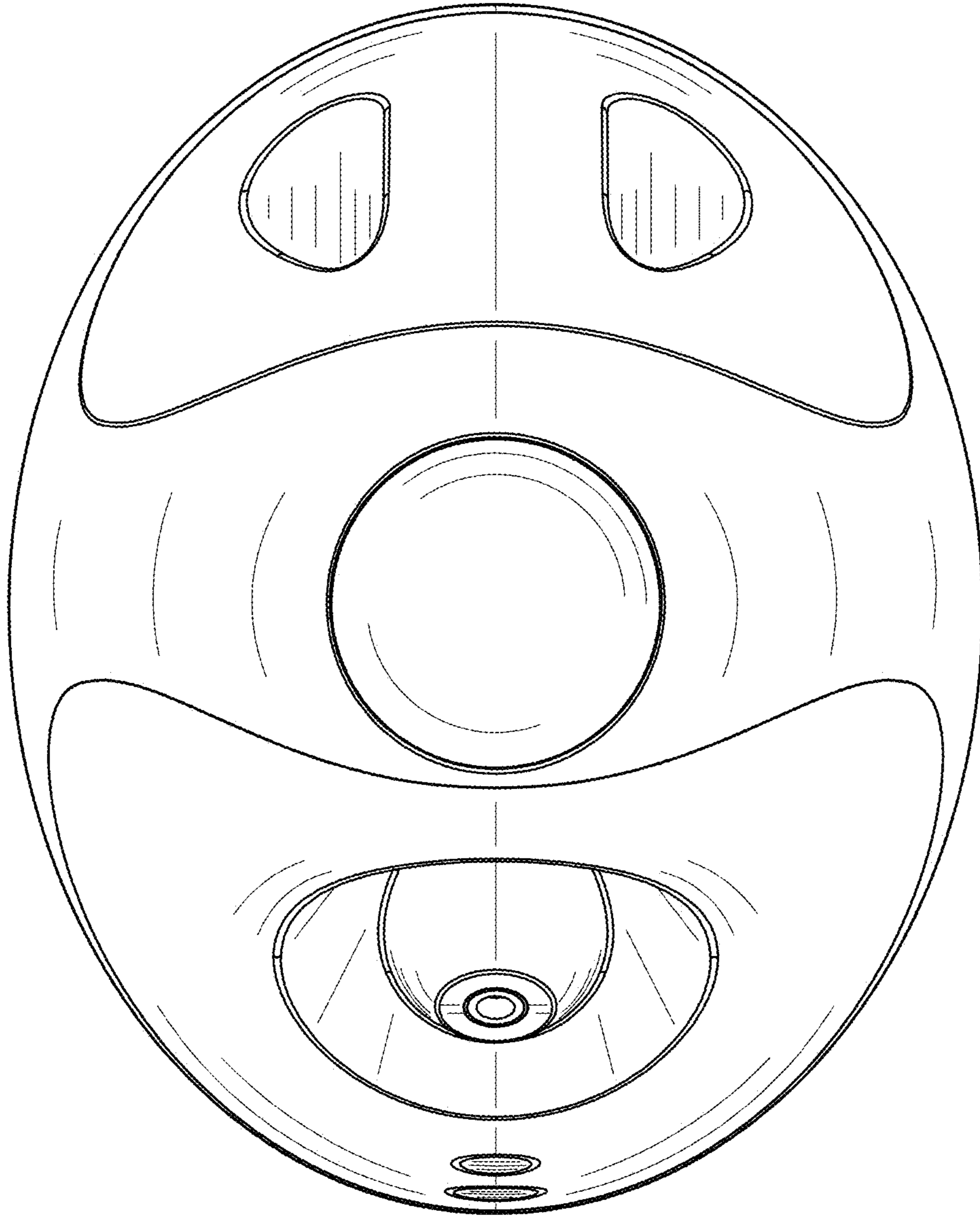


FIG. 7

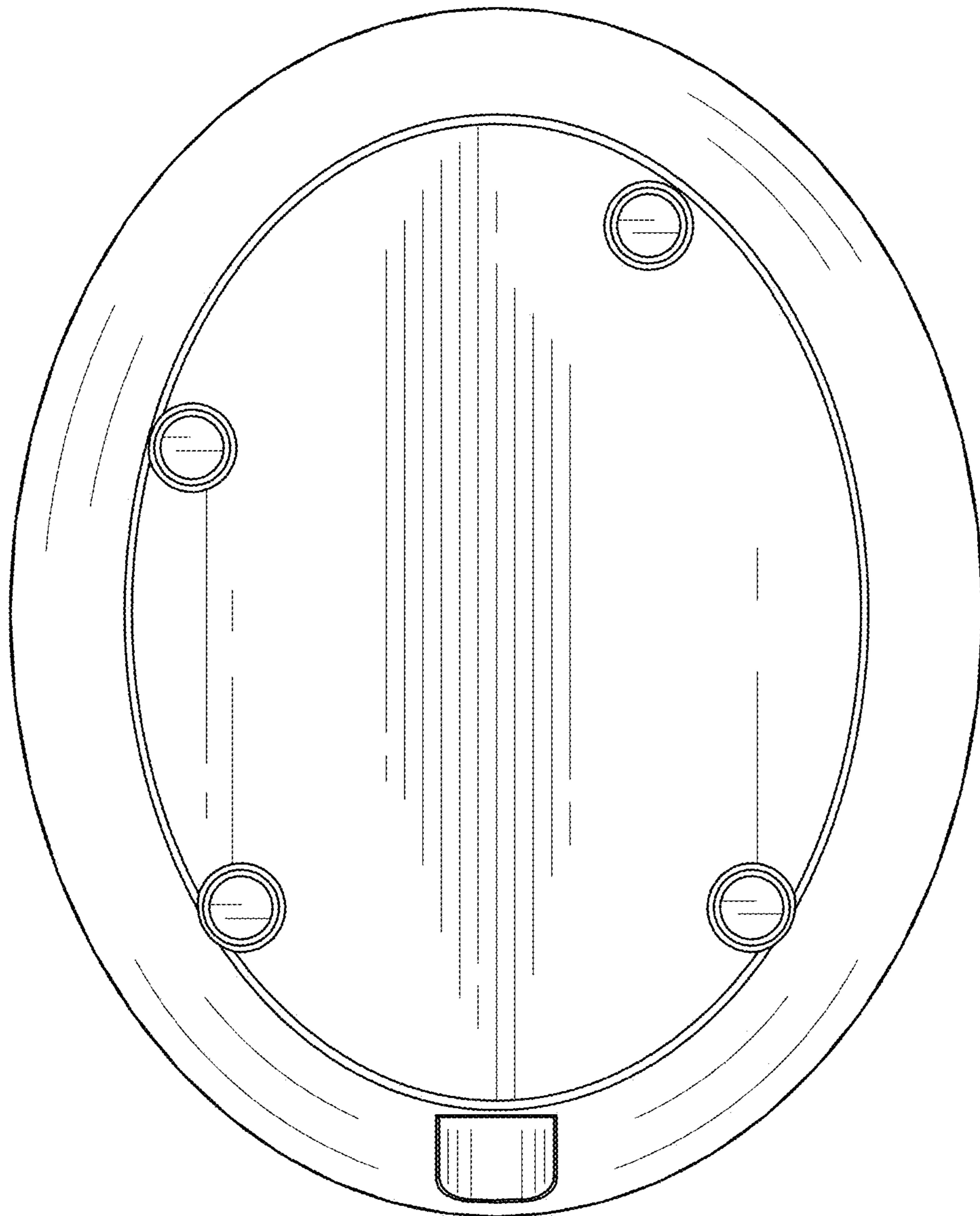


FIG. 8