



US00D975257S

(12) **United States Design Patent**
Chen

(10) **Patent No.:** **US D975,257 S**
(45) **Date of Patent:** **** Jan. 10, 2023**

- (54) **HEATER**
- (71) Applicant: **Ningbo Junyue Electric Appliance Co., Ltd., Cixi (CN)**
- (72) Inventor: **Yueli Chen, Cixi (CN)**
- (73) Assignee: **Ningbo Junyue Electric Appliance Co., Ltd., Cixi (CN)**
- (**) Term: **15 Years**
- (21) Appl. No.: **29/809,348**
- (22) Filed: **Sep. 27, 2021**
- (51) **LOC (14) Cl.** **30-03**
- (52) **U.S. Cl.**
USPC **D23/335**
- (58) **Field of Classification Search**
USPC D23/207, 213-214, 255, 283, 317-324,
D23/332, 335-343, 355-365, 398-403,
D23/417-41, 314, 328, 333, 354,
D23/370-371, 377-383, 387, 392,
D23/411-414
CPC F24H 3/0488; F24H 3/0417; F24H 9/0073;
F24H 9/1881; F23D 14/36
See application file for complete search history.

D567,344 S *	4/2008	Gao	F04D 25/08
				D23/332
D581,503 S *	11/2008	Gao	D23/332
D663,810 S *	7/2012	Ren	D23/317
D663,811 S *	7/2012	Ren	D23/317
D900,987 S *	11/2020	Lei	F04D 25/08
				D23/337
D943,073 S *	2/2022	Huang	D23/356
D958,955 S *	7/2022	Wang	D23/364
D960,306 S *	8/2022	Eads	D23/213
D963,821 S *	9/2022	Cho	D23/364
D964,532 S *	9/2022	Zuo	D23/364
D964,534 S *	9/2022	Yu	D23/364
2021/0156577 A1 *	5/2021	Li	F24F 6/02

* cited by examiner

Primary Examiner — Dana K Weiland
Assistant Examiner — Jonathan E Fiencke
 (74) *Attorney, Agent, or Firm* — True Shepherd, LLC;
 Andrew Cheng

(57) **CLAIM**

The ornamental design for a heater, as shown and described.

DESCRIPTION

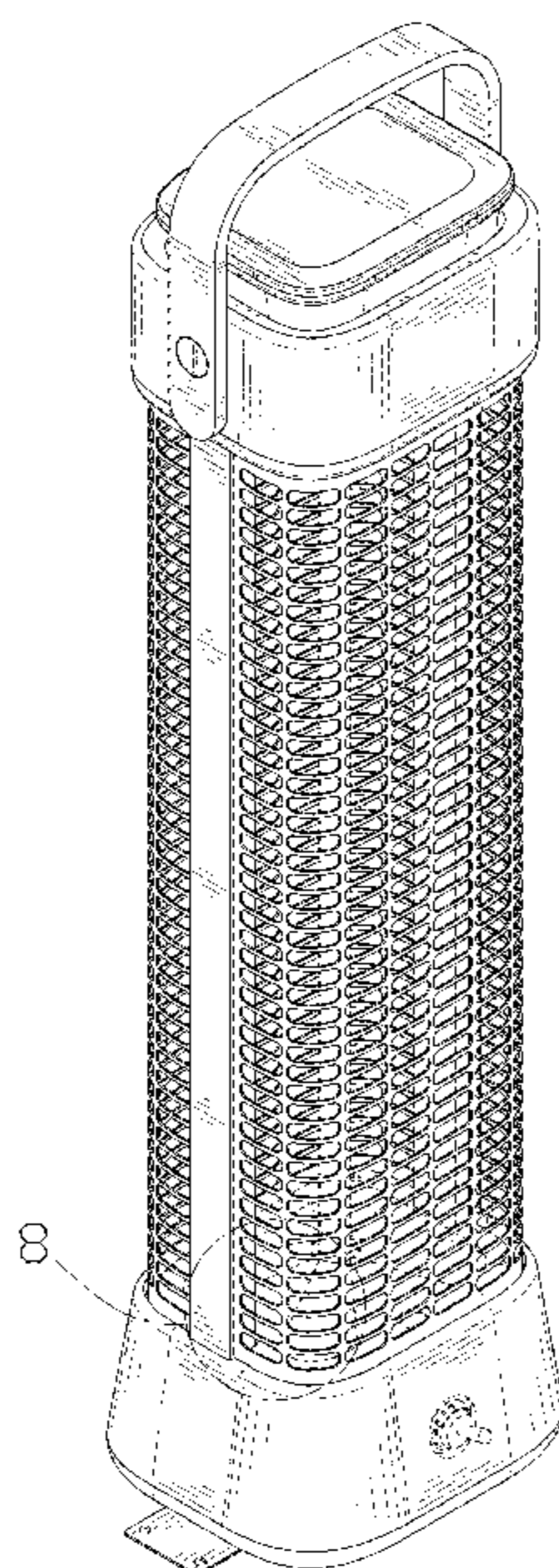
FIG. 1 is a front, left and top perspective view of a heater, showing my design.
 FIG. 2 is a rear, right and bottom perspective view thereof.
 FIG. 3 is a front elevation view thereof.
 FIG. 4 is a rear elevation view thereof.
 FIG. 5 is a left side elevation view thereof.
 FIG. 6 is a top plan view thereof.
 FIG. 7 is a bottom plan view thereof; and,
 FIG. 8 is an enlarged view of area 8 circumscribed within FIG. 1.
 The right side elevation view of the heater is a mirror image of the left side elevation view thereof as shown in FIG. 5.
 The broken lines shown in the drawings depict portions of the heater that form no part of the claimed design.

1 Claim, 8 Drawing Sheets

(56) **References Cited**

U.S. PATENT DOCUMENTS

D329,284 S *	9/1992	Patton	F24F 6/02
				D23/378
D468,414 S *	1/2003	Fok	D23/378
D479,589 S *	9/2003	Koike	
D487,139 S *	2/2004	Shapiro	D23/335
D487,140 S *	2/2004	Gao	D23/335
D514,676 S *	2/2006	Blateri	D23/336
D539,410 S *	3/2007	Fok	D23/378
D543,612 S *	5/2007	Fok	



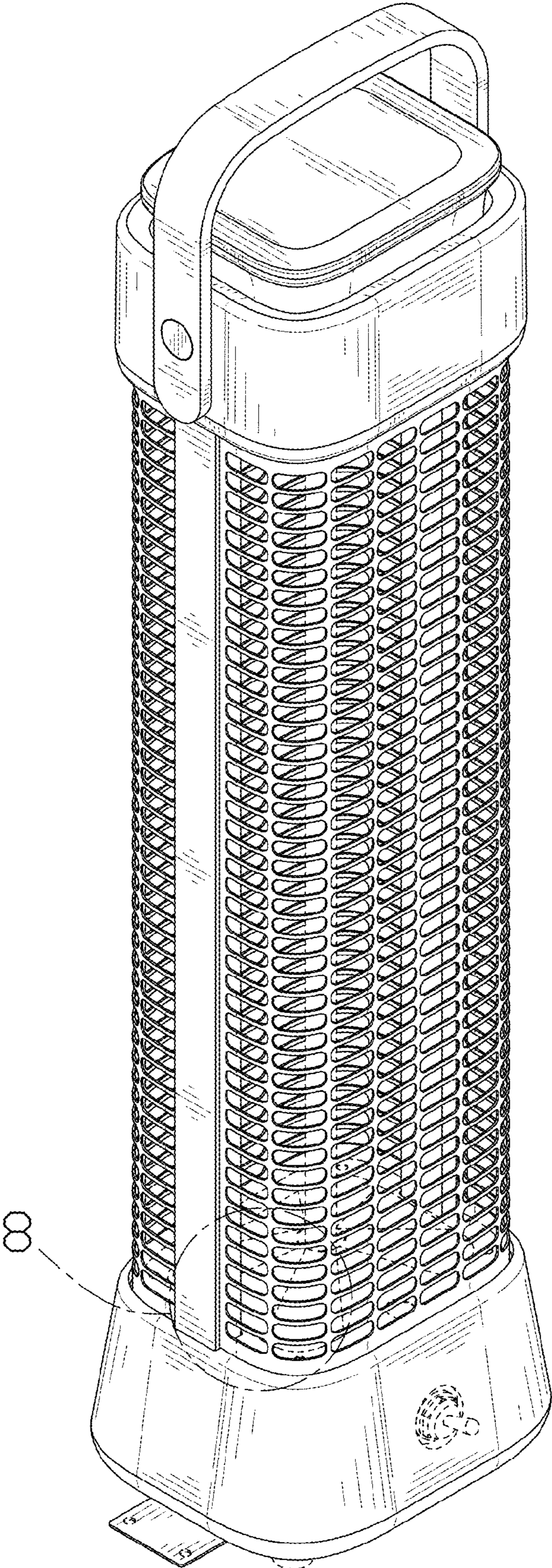


FIG. 1

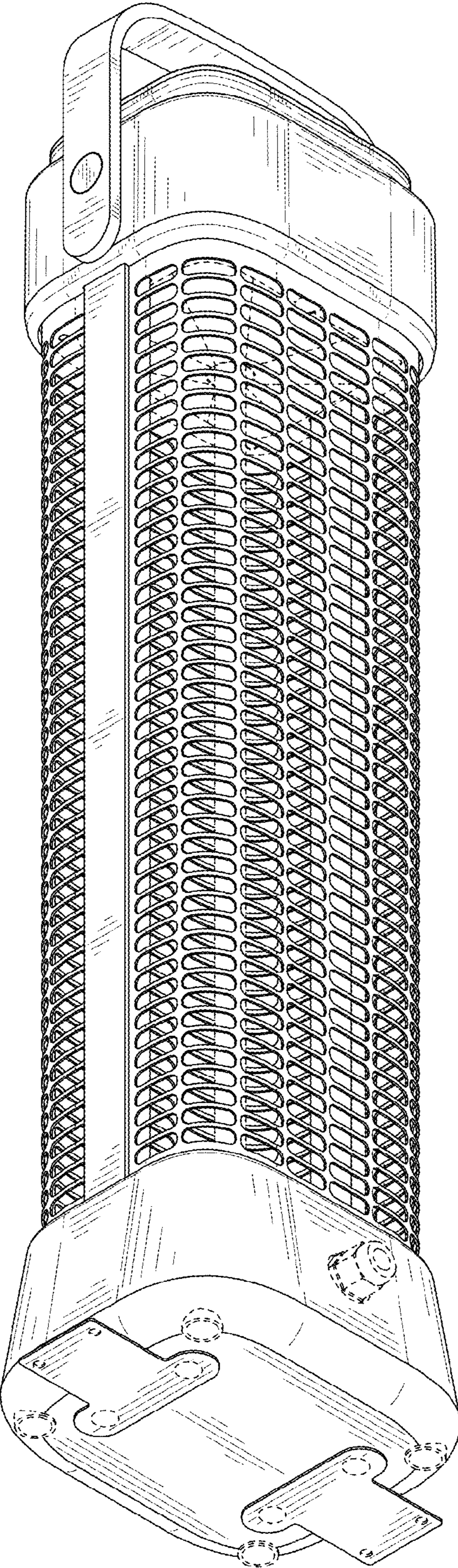


FIG. 2

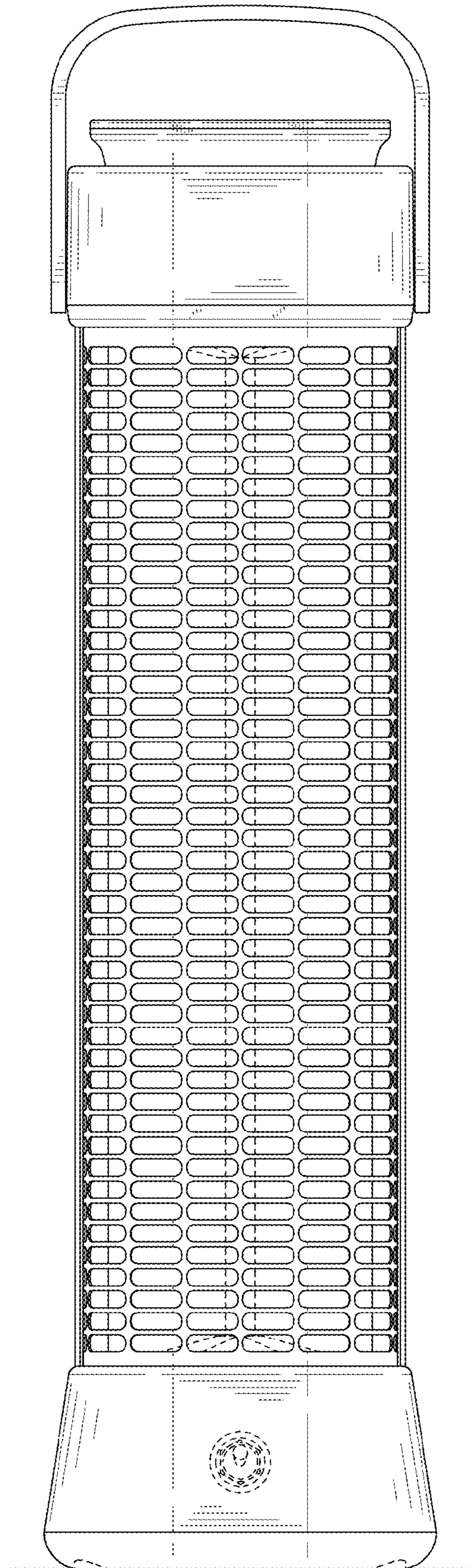


FIG. 3

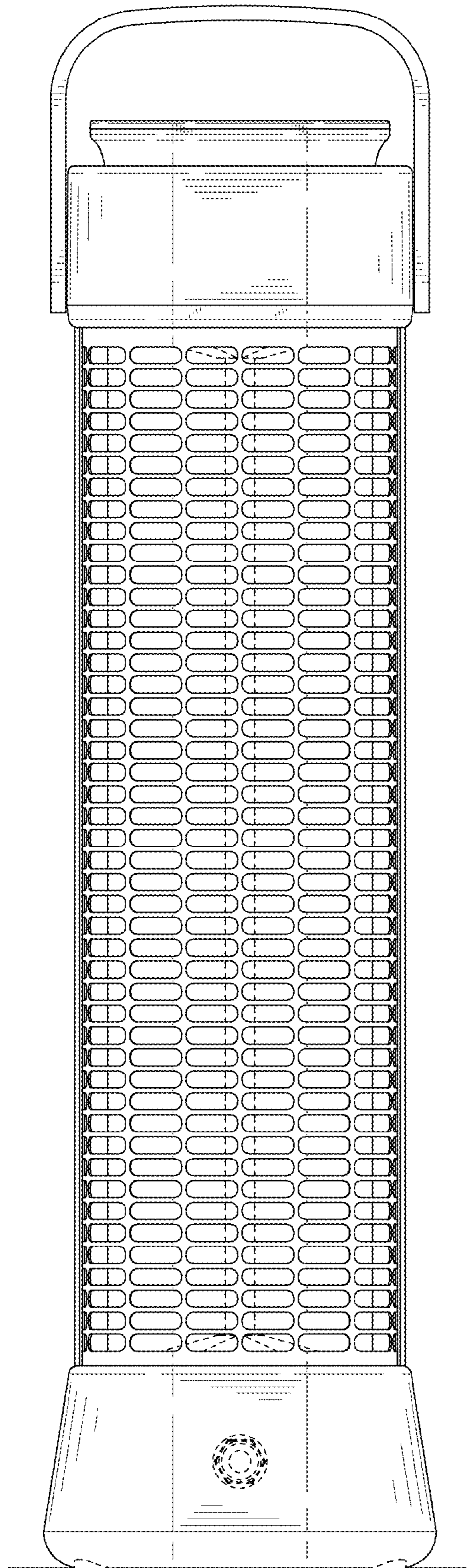


FIG. 4

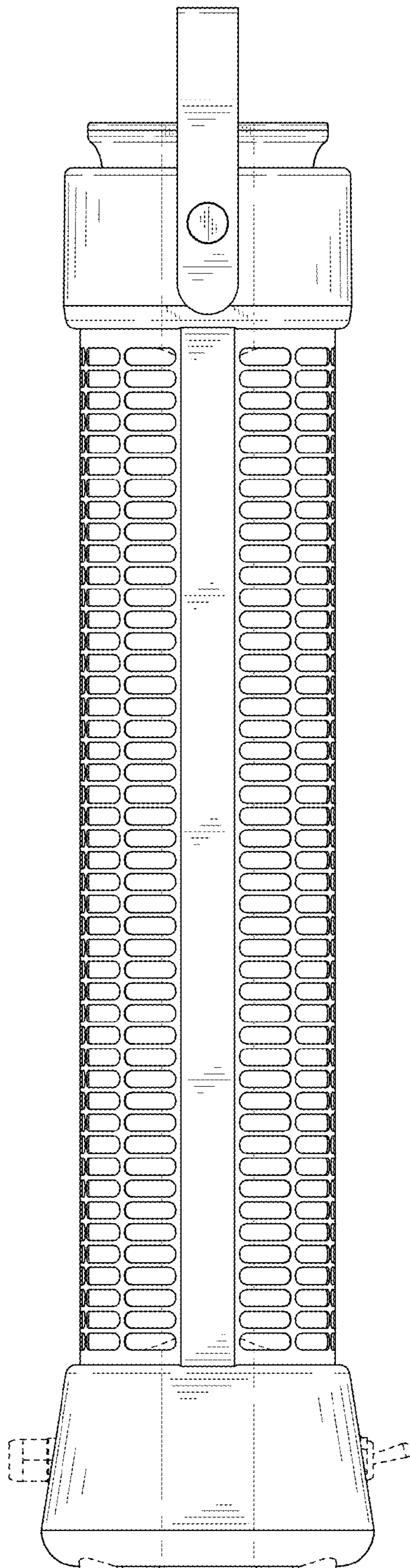


FIG. 5

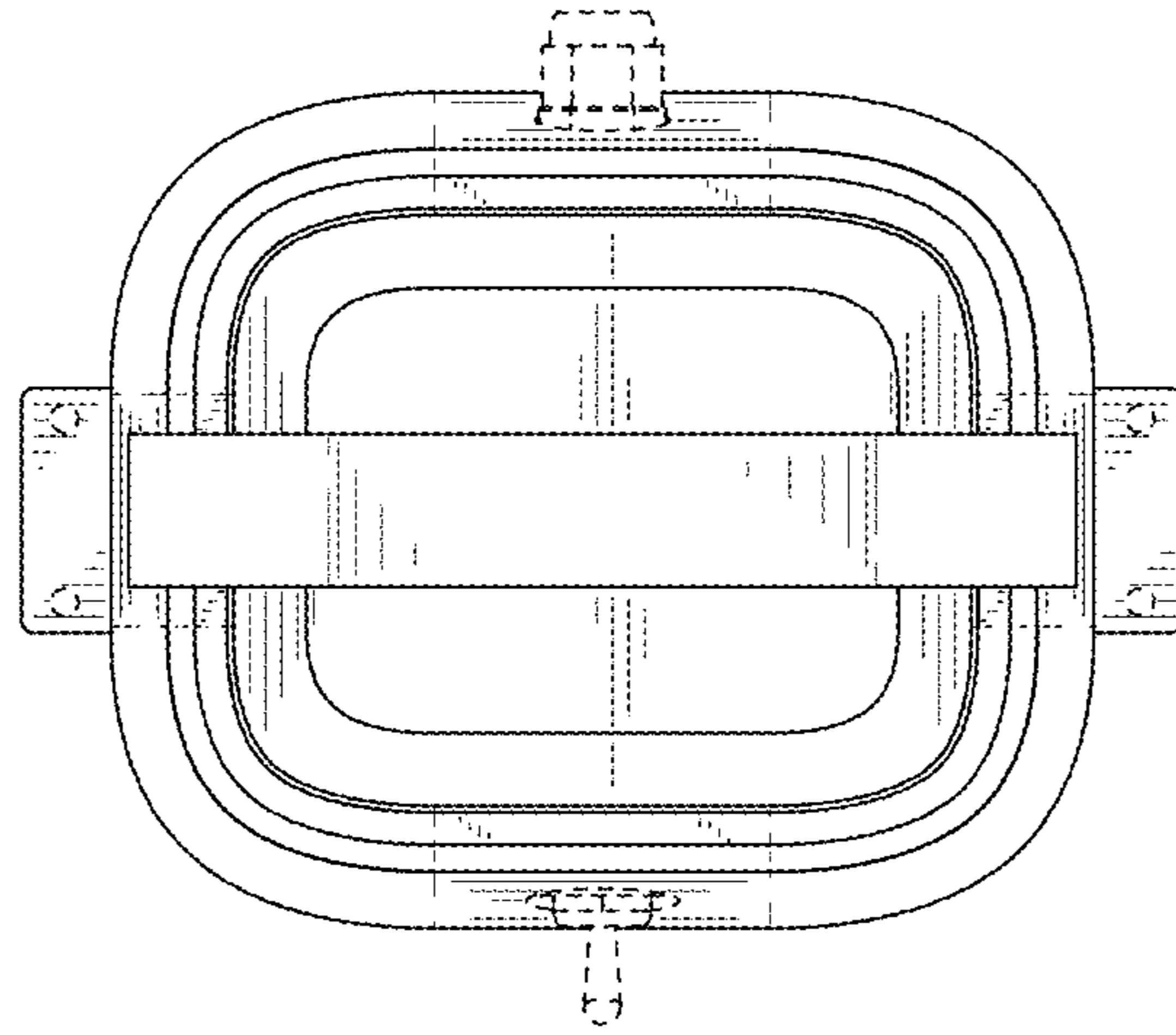


FIG. 6

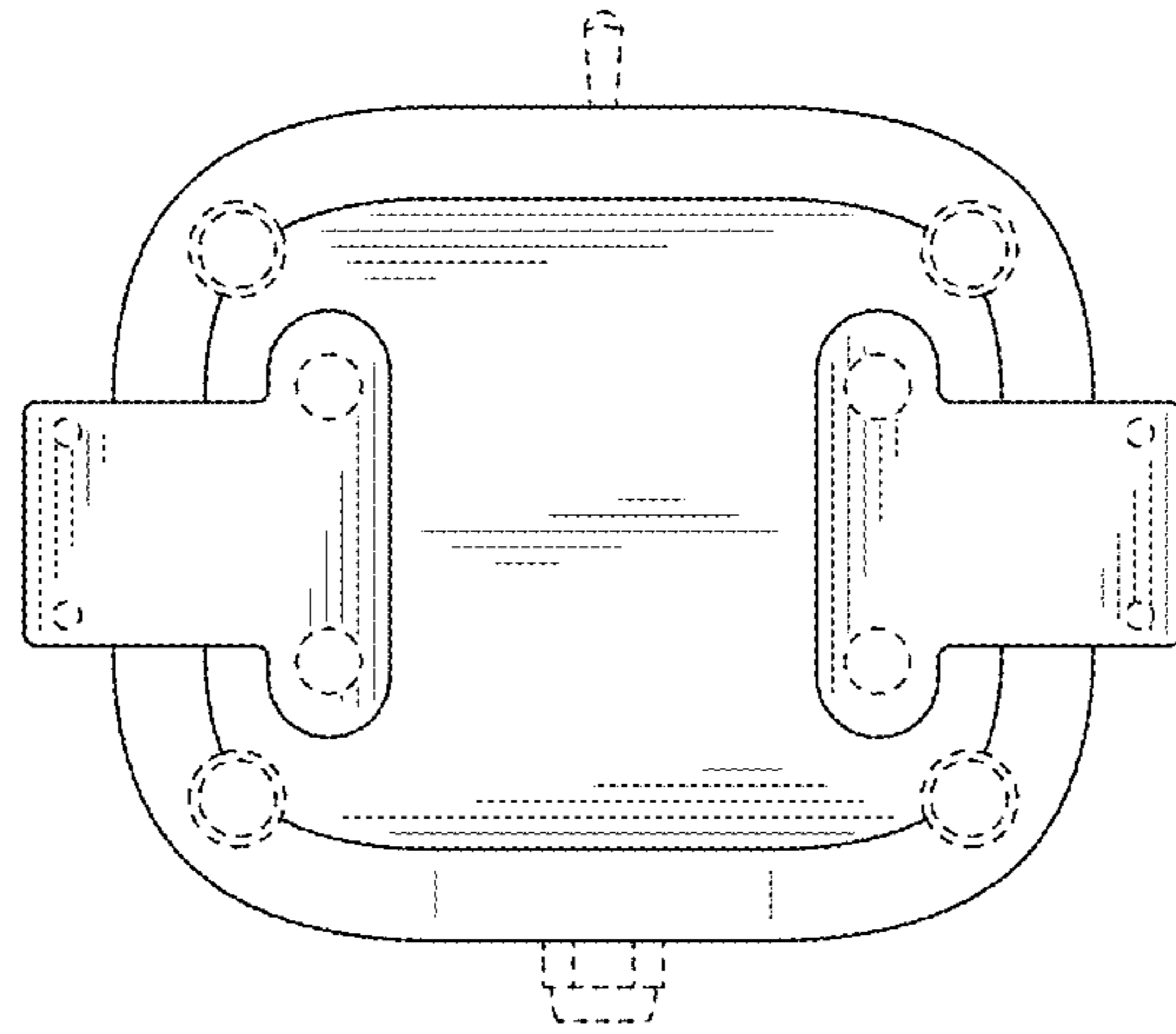


FIG. 7

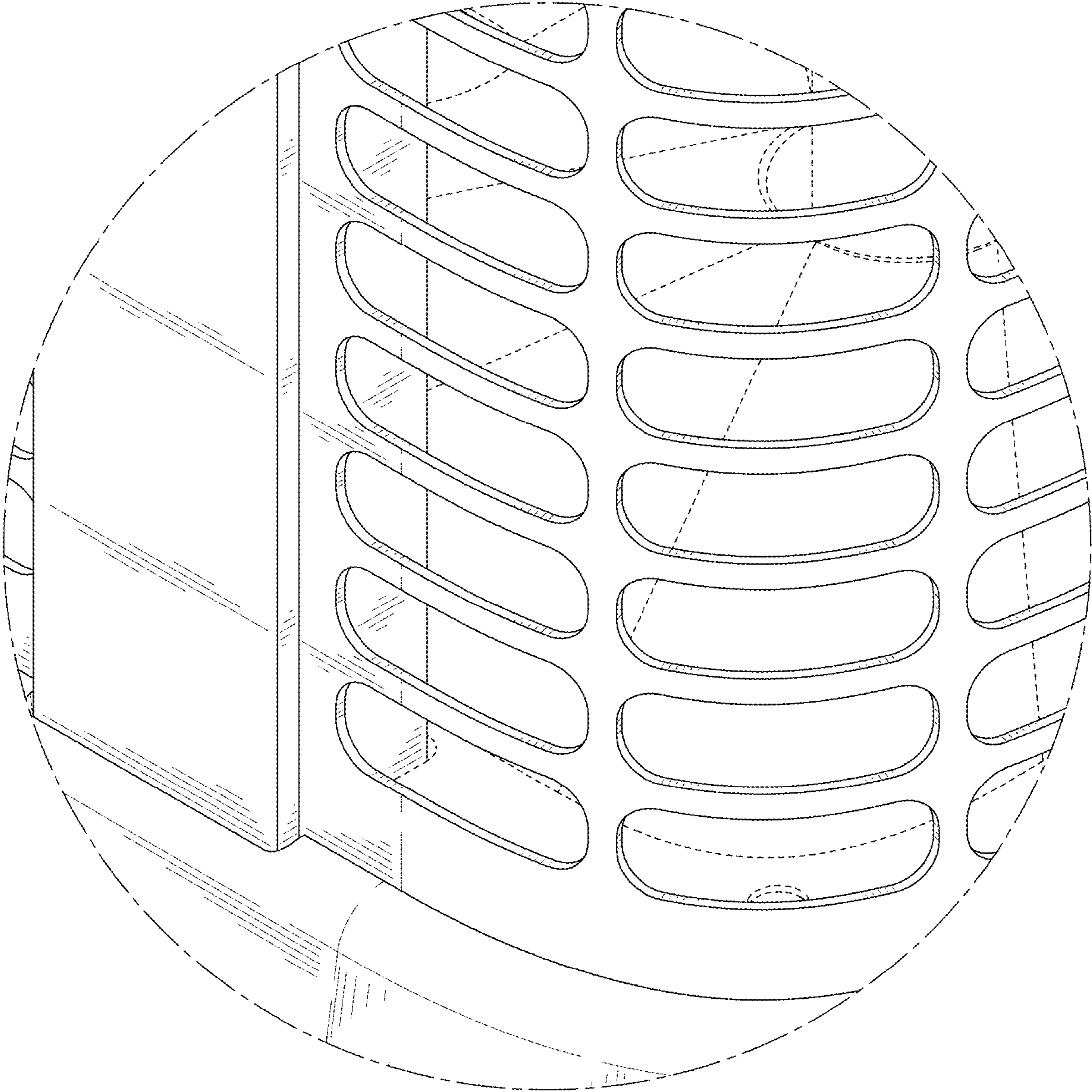


FIG. 8