



US00D975253S

(12) **United States Design Patent**
Tang

(10) **Patent No.:** **US D975,253 S**

(45) **Date of Patent:** **** Jan. 10, 2023**

(54) **PORTABLE FIRE PIT**

(71) Applicant: **Baojun Tang**, Jiangsu (CN)

(72) Inventor: **Baojun Tang**, Jiangsu (CN)

(**) Term: **15 Years**

(21) Appl. No.: **29/787,801**

(22) Filed: **Jun. 8, 2021**

(51) **LOC (14) Cl.** **23-03**

(52) **U.S. Cl.**
USPC **D23/332**

(58) **Field of Classification Search**
USPC D23/332, 314, 343, 348, 350, 346, 342,
D23/335; D7/332-337, 402-405, 352
CPC F24C 1/16; F24C 5/00; F24C 3/14; A47J
33/00; A47J 37/0763; A47J 37/07; A47J
2037/0777; F24B 1/18; F24B 1/182;
F24B 1/1808; F24B 1/181; F24B 1/195;
F24B 1/191

See application file for complete search history.

(56) **References Cited**

U.S. PATENT DOCUMENTS

4,502,460	A *	3/1985	Kelz	A47J 37/0763 D7/355
5,349,898	A *	9/1994	Po Wo Cheung	A47J 36/20 126/369
5,992,407	A *	11/1999	Tsai	A47J 36/26 248/163.1

D607,980	S *	1/2010	Jones	D23/343
D913,739	S *	3/2021	Joseph	D7/354
2019/0145625	A1 *	5/2019	Satterley	F24C 1/16 126/9 R

OTHER PUBLICATIONS

Ubuy Redcamp Portable Fire Pit <https://www.ubuy.com.zm/product/48AUUGSUS-redcamp-portable-fire-pit-for-camping-foldable-stainless-steel-bonfire-fire-pit-for-picnic> first available date Dec. 7, 2021 (Year: 2021).*

Lazada Listing <https://www.lazada.com.my/products/portable-camping-campfire-pit-folding-firewood-fire-stove-stainless-steel-bonfire-shelf-wood-burning-charcoal-bbq-camping-tool-i2894549657-s14001313407.html?spm=a2o4k.tm80167375.4138544390.1.7be2iW5NiW5Nby.7be2iW5NiW5Nby> (Year: 2022).*

* cited by examiner

Primary Examiner — Ania Aman

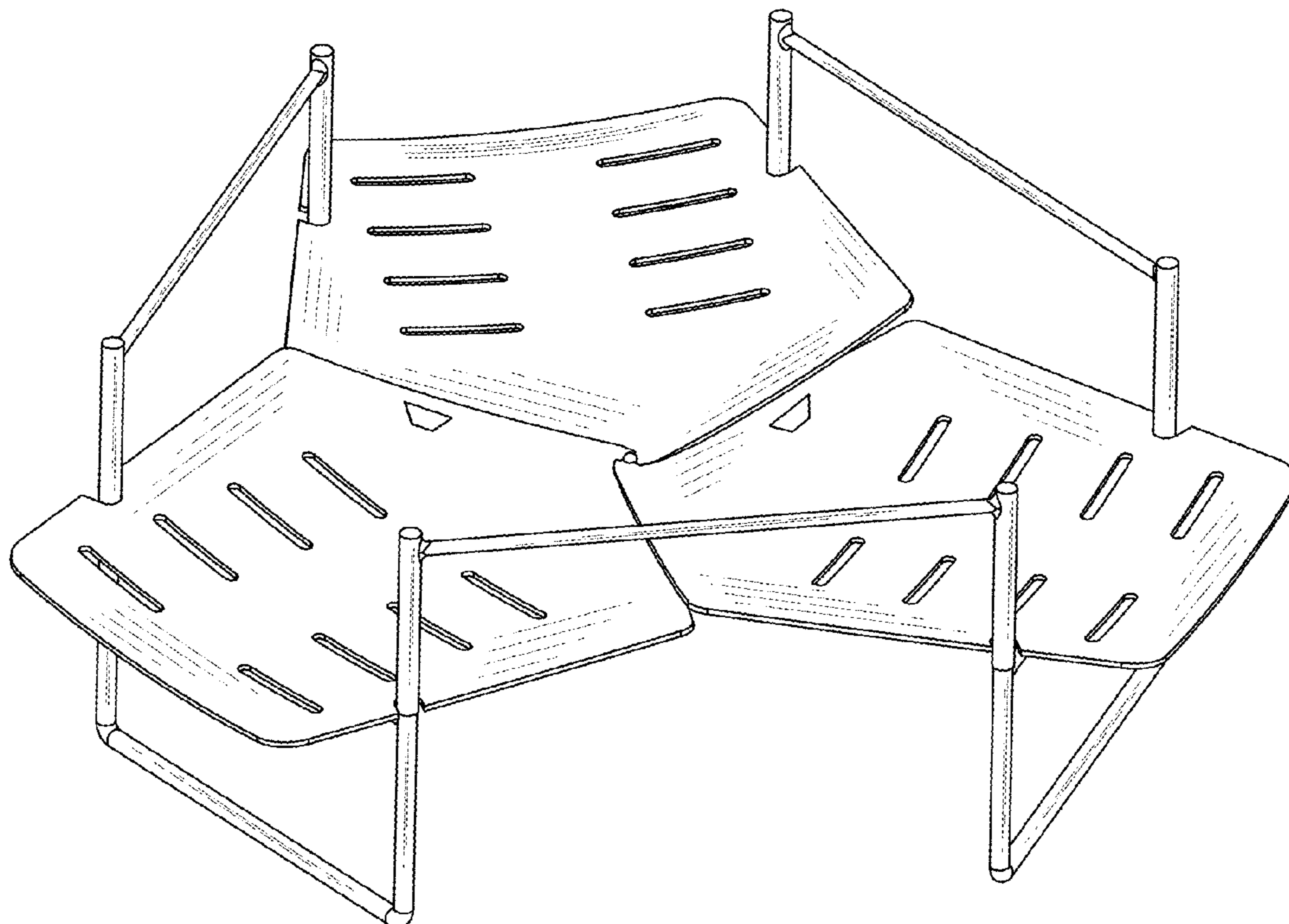
(57) **CLAIM**

The ornamental design for a portable fire pit, as shown and described.

DESCRIPTION

FIG. 1 is top view of a portable fire pit;
FIG. 2 is bottom view of the portable fire pit;
FIG. 3 is a first side view of the portable fire pit;
FIG. 4 is a second side view of the portable fire pit;
FIG. 5 is a third side view of the portable fire pit;
FIG. 6 is a fourth side view of the portable fire pit; and,
FIG. 7 is a perspective view of the portable fire pit.

1 Claim, 7 Drawing Sheets



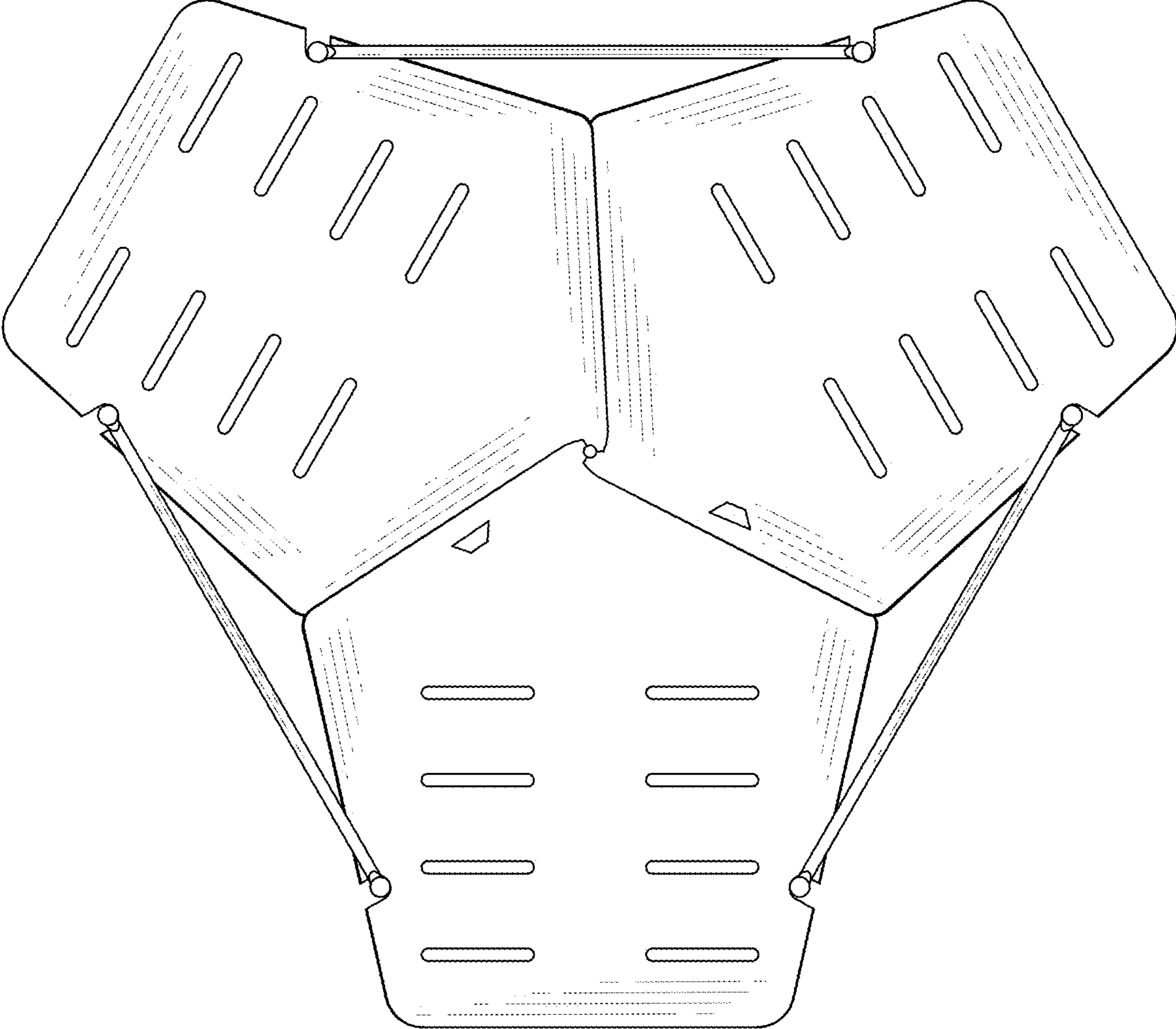


FIG. 1

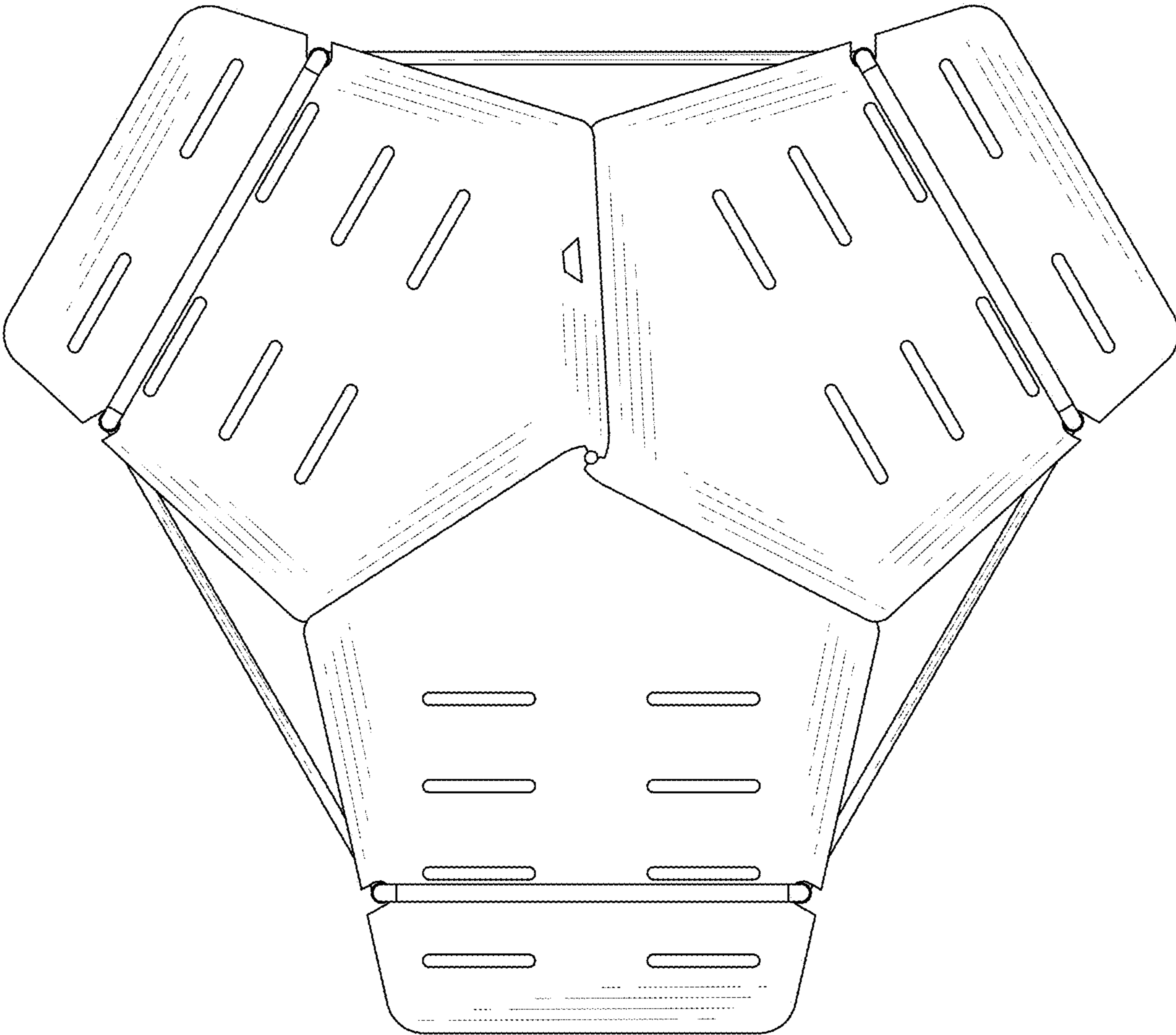


FIG. 2

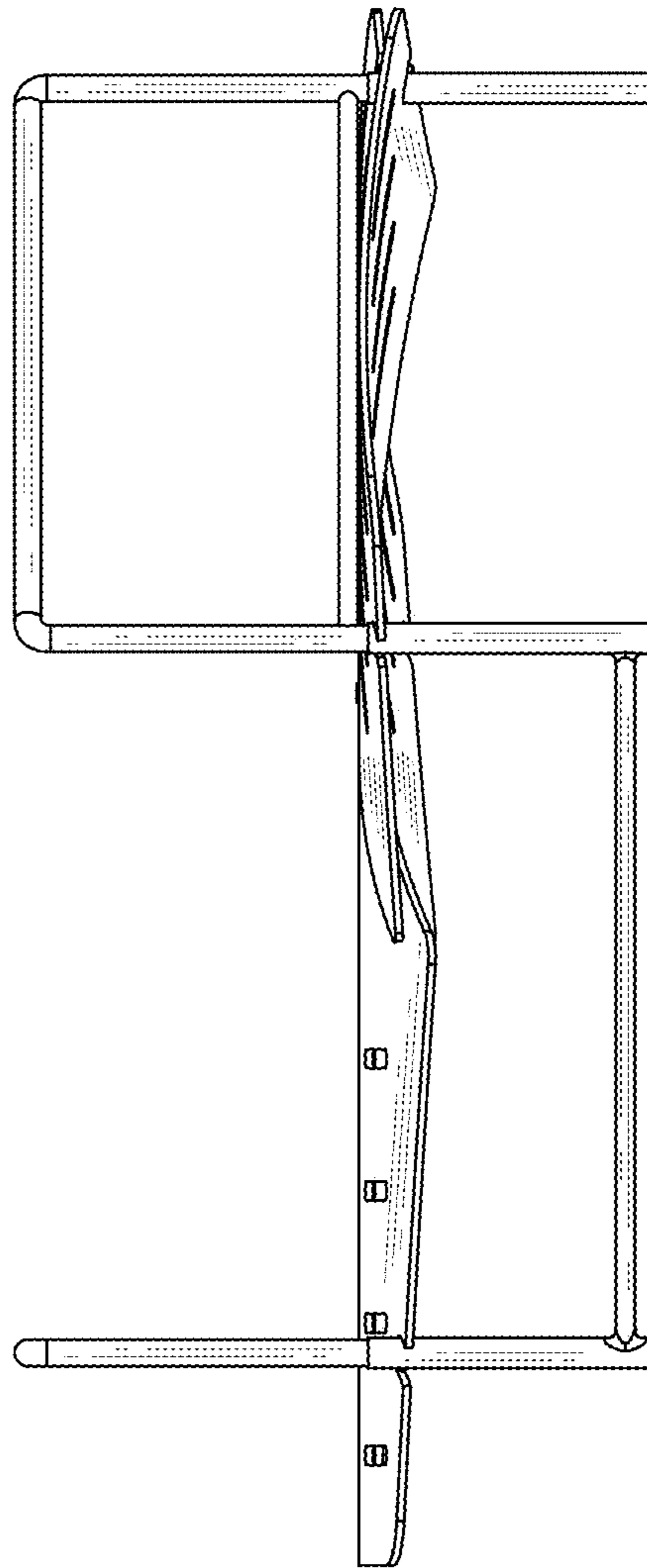


FIG. 3

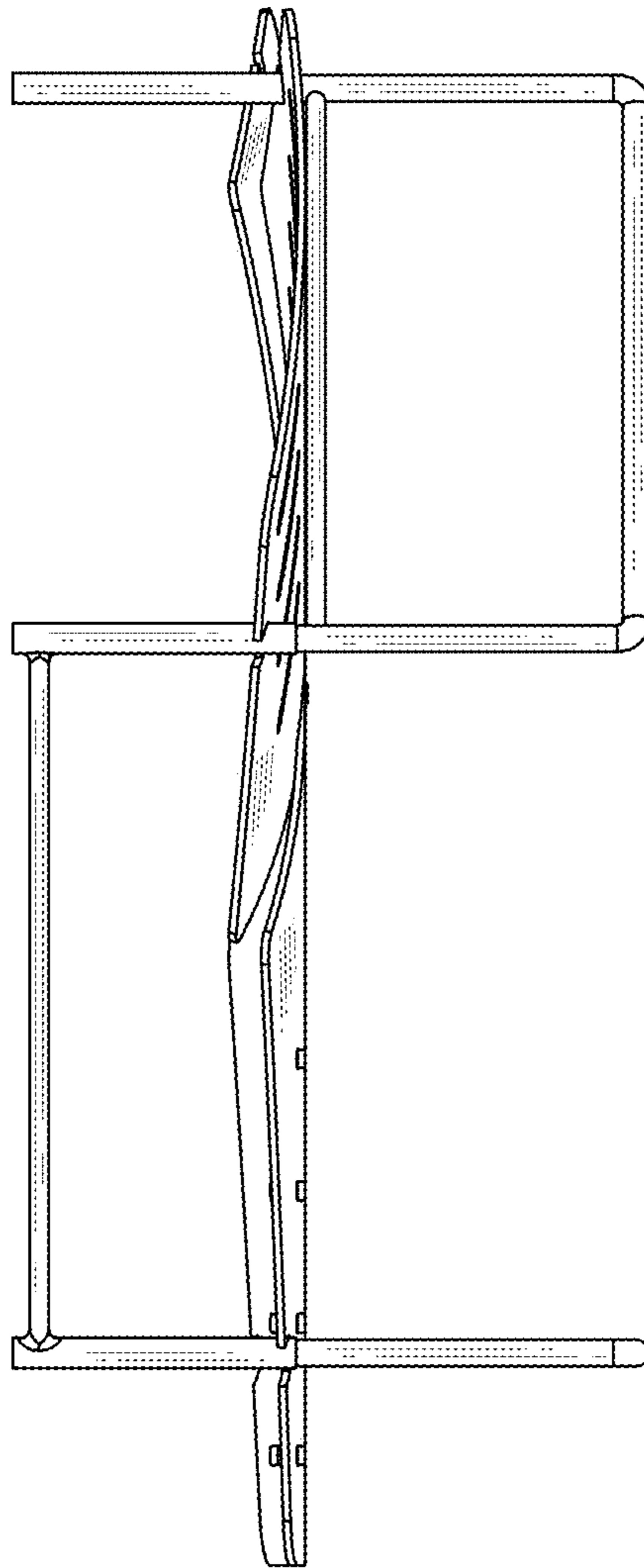


FIG. 4

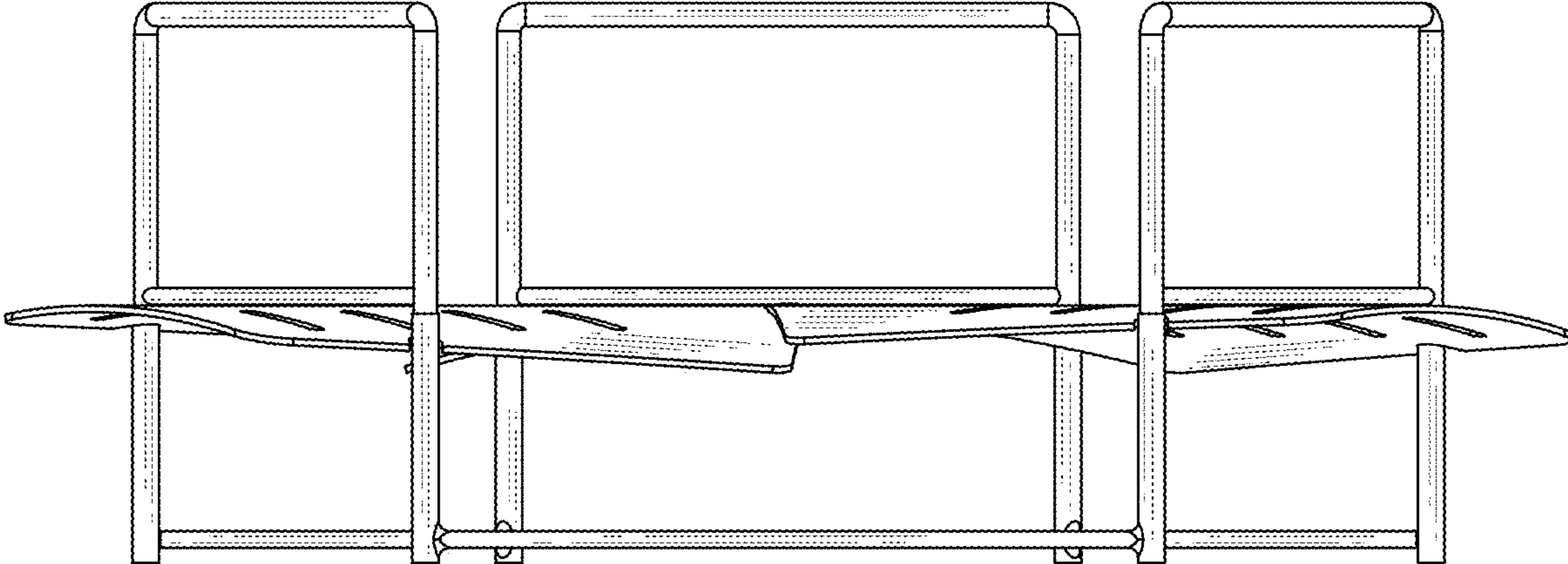


FIG. 5

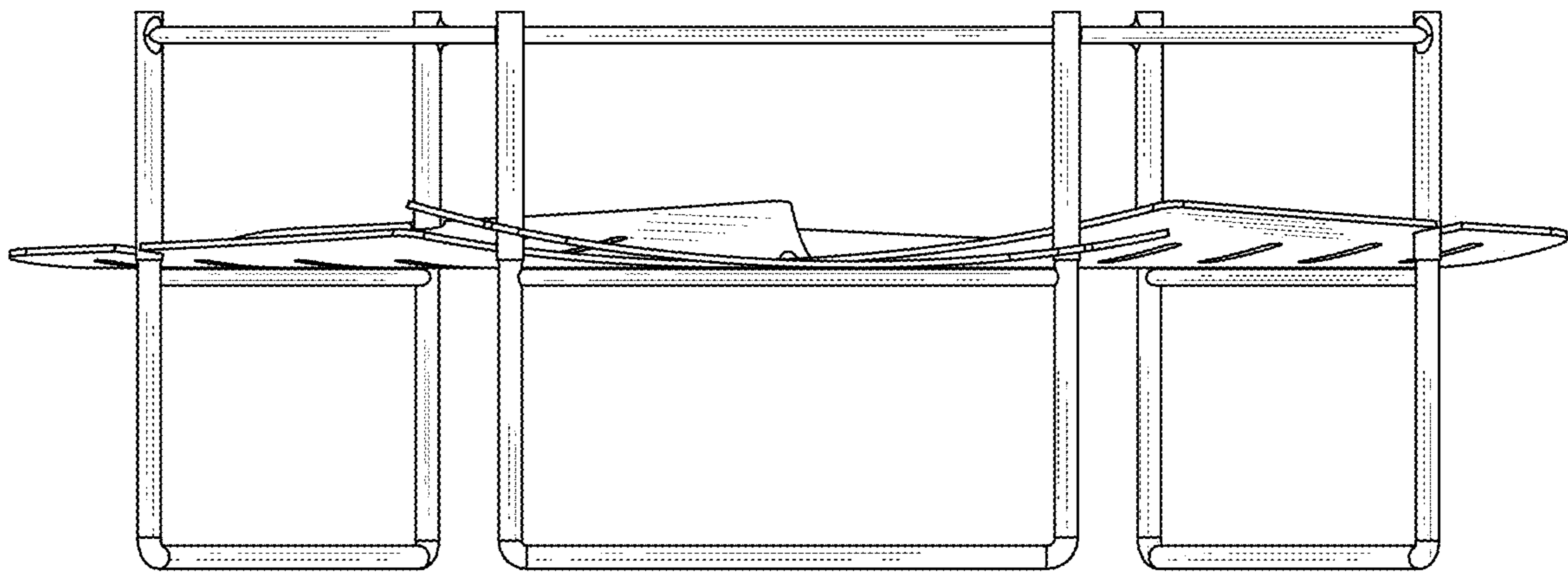


FIG. 6

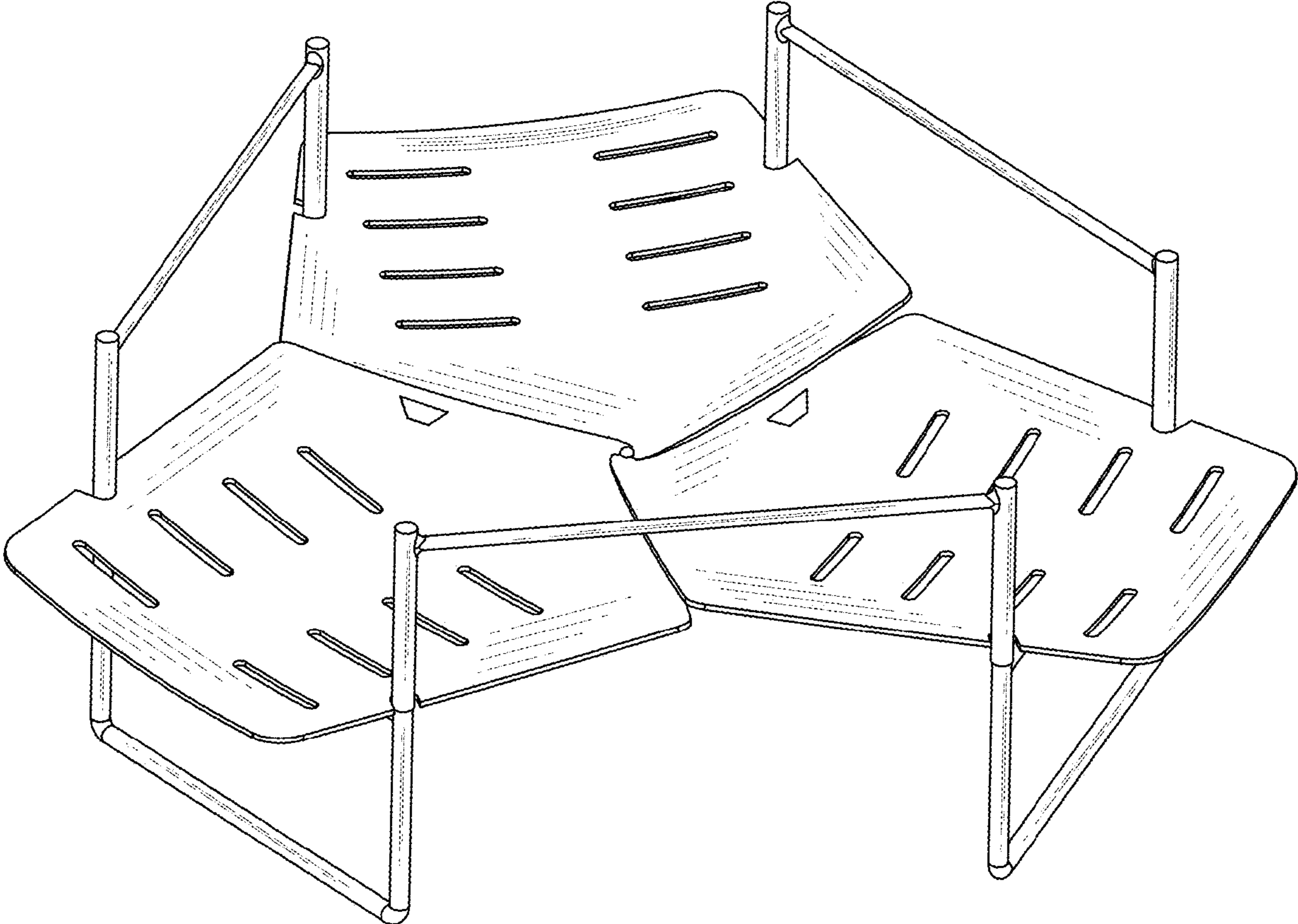


FIG. 7