



US00D975252S

(12) **United States Design Patent** (10) **Patent No.:** **US D975,252 S**
Bromenshenkel et al. (45) **Date of Patent:** **** Jan. 10, 2023**

(54) **HEATING CHANNEL**
(71) Applicant: **Caterpillar Inc.**, Peoria, IL (US)
(72) Inventors: **Timothy J. Bromenshenkel**, Tuscola, IL (US); **Christopher M. Darrow**, Blue Mound, IL (US); **Thomas Alworth**, Decatur, IL (US)
(73) Assignee: **Caterpillar Inc.**, Peoria, IL (US)
(**) Term: **15 Years**
(21) Appl. No.: **29/710,777**
(22) Filed: **Oct. 25, 2019**
(51) **LOC (14) Cl.** **23-03**
(52) **U.S. Cl.**
USPC **D23/314; D23/324**
(58) **Field of Classification Search**
USPC D23/314, 322, 323, 324, 341; D12/14, D12/15
CPC B60P 1/286; B60P 1/28; B60H 1/00014
See application file for complete search history.

2021/0122281 A1* 4/2021 Chapagain B60P 1/283
2021/0122282 A1* 4/2021 Bromenshenkel ... B62D 27/023
2021/0122418 A1* 4/2021 Miller B62D 65/02
2021/0122419 A1* 4/2021 Miller B62D 21/186

FOREIGN PATENT DOCUMENTS

CN 201211859 U 3/2009
JP 06517447 5/2019
JP 2018203578W A1 6/2019

* cited by examiner

Primary Examiner — Ania Aman

(74) *Attorney, Agent, or Firm* — Finnegan, Henderson, Farabow, Garrett & Dunner, LLP

(57) **CLAIM**

The ornamental design for a heating channel, as shown and described.

DESCRIPTION

FIG. 1 is a perspective of a heating channel according to our design;

FIG. 2 is another perspective view thereof;

FIG. 3 is a front elevational view thereof;

FIG. 4 is a rear elevational view thereof;

FIG. 5 is a left side elevational view thereof;

FIG. 6 is a right side elevational view thereof;

FIG. 7 is a top plan view thereof;

FIG. 8 is a bottom plan view thereof; and,

FIG. 9 is a perspective view thereof in the context of a dump body.

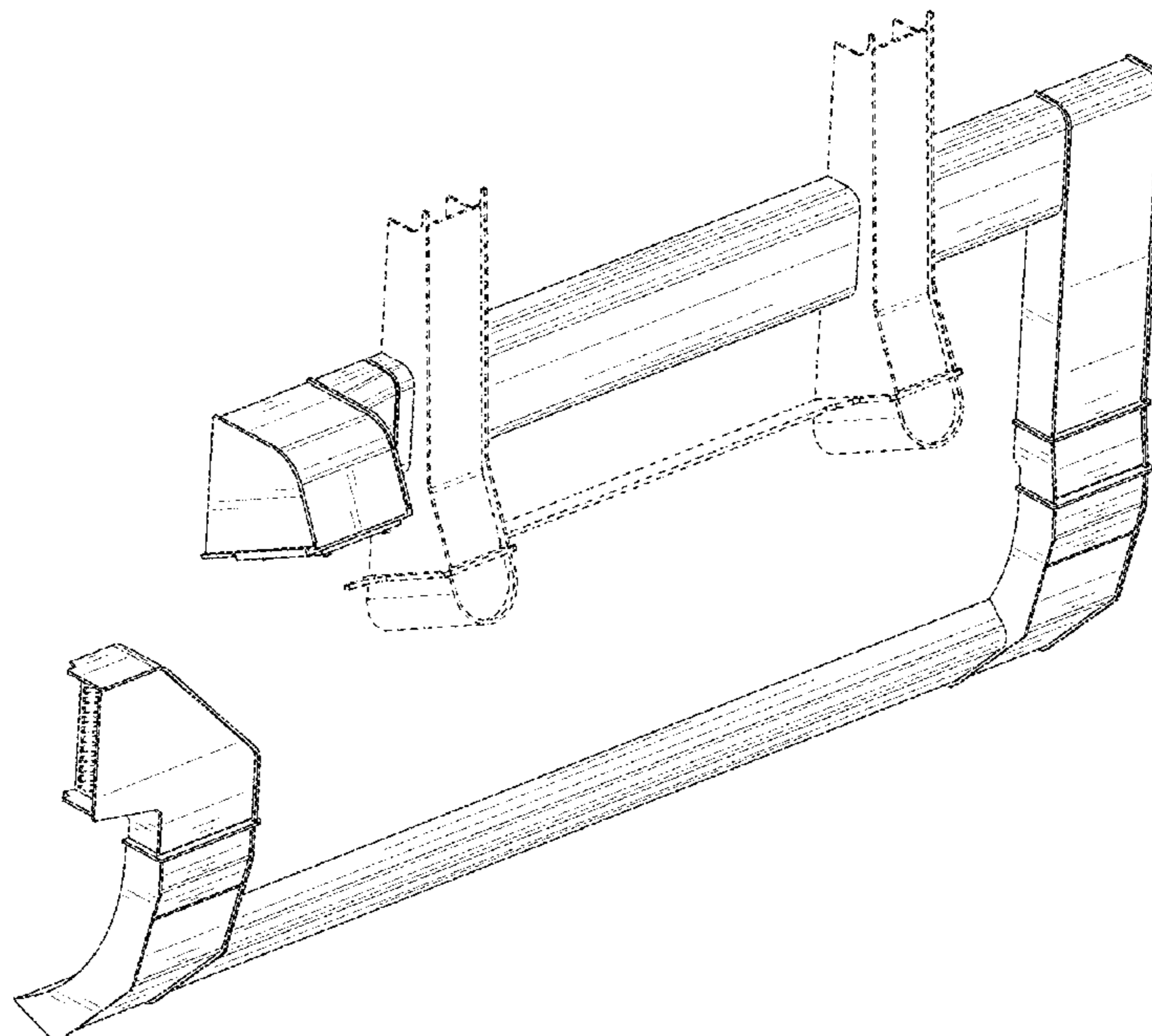
The broken lines in the figures correspond to portions of the heating channel or environment thereof that form no part of the claimed design.

1 Claim, 9 Drawing Sheets

(56) **References Cited**

U.S. PATENT DOCUMENTS

2,685,475 A * 8/1954 Anthony B60P 1/28
298/22 P
3,040,919 A 6/1962 Nolan
8,721,006 B2 5/2014 Uranaka
D885,975 S * 6/2020 Hettinger D12/15
10,940,737 B2 * 3/2021 Kesani B60P 1/286
11,065,998 B2 * 7/2021 Bromenshenkel B62D 21/12
2012/0169109 A1 7/2012 Rivera
2015/0001910 A1 1/2015 Natarajan
2018/0361848 A1 12/2018 Kesani
2019/0389272 A1 * 12/2019 Kesani B60P 1/28
2020/0039413 A1 * 2/2020 Arul B60P 1/286



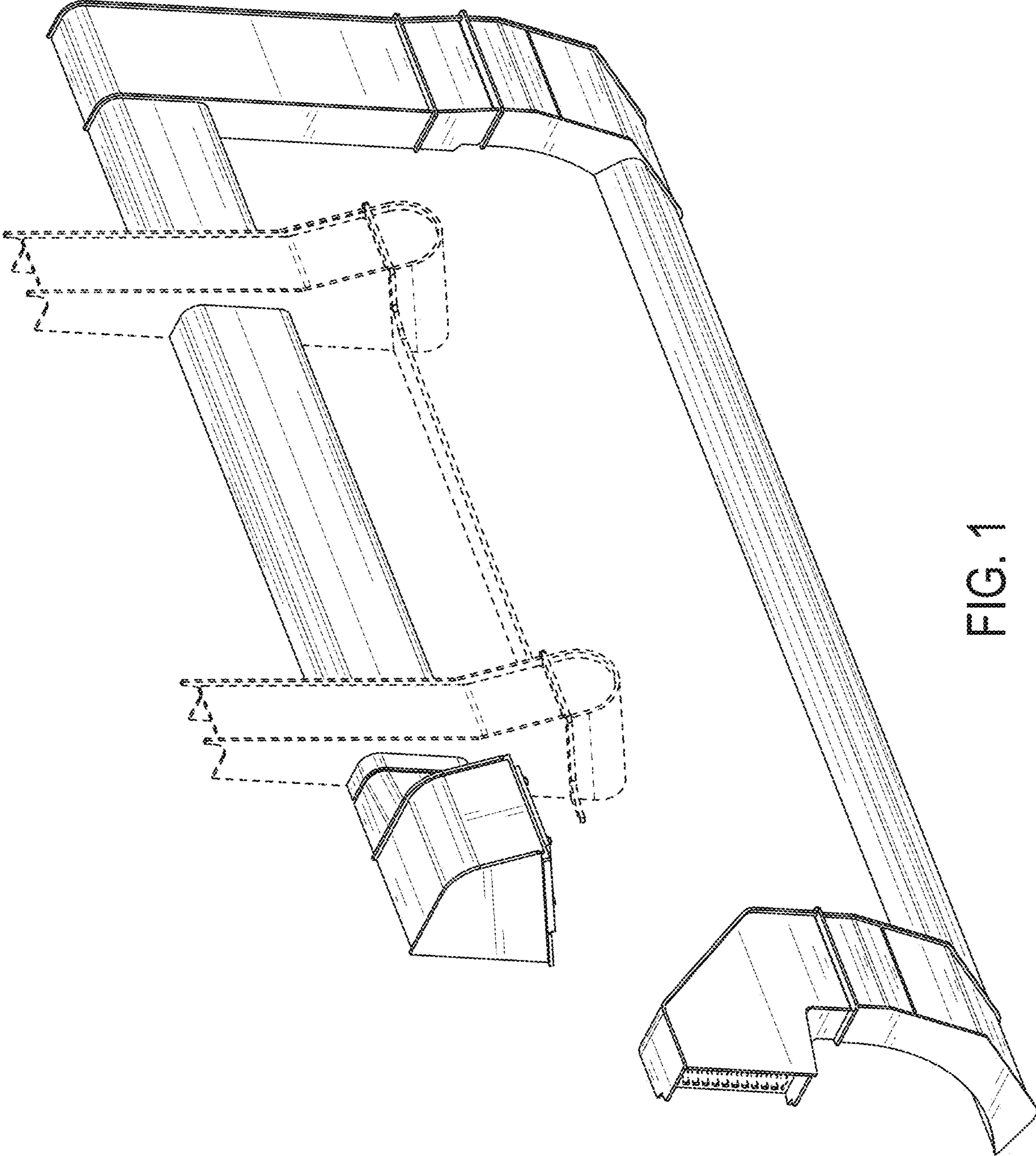


FIG. 1

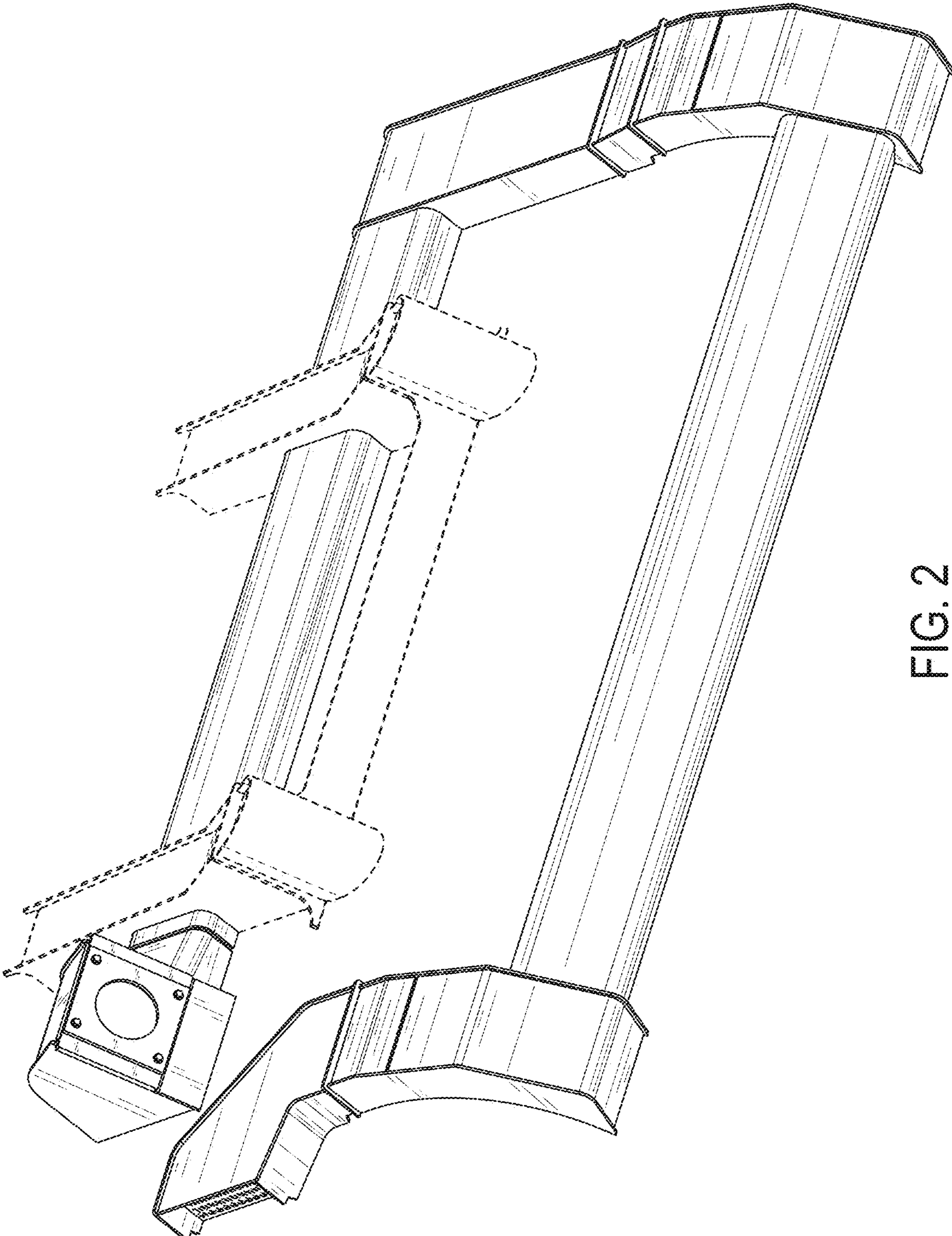


FIG. 2

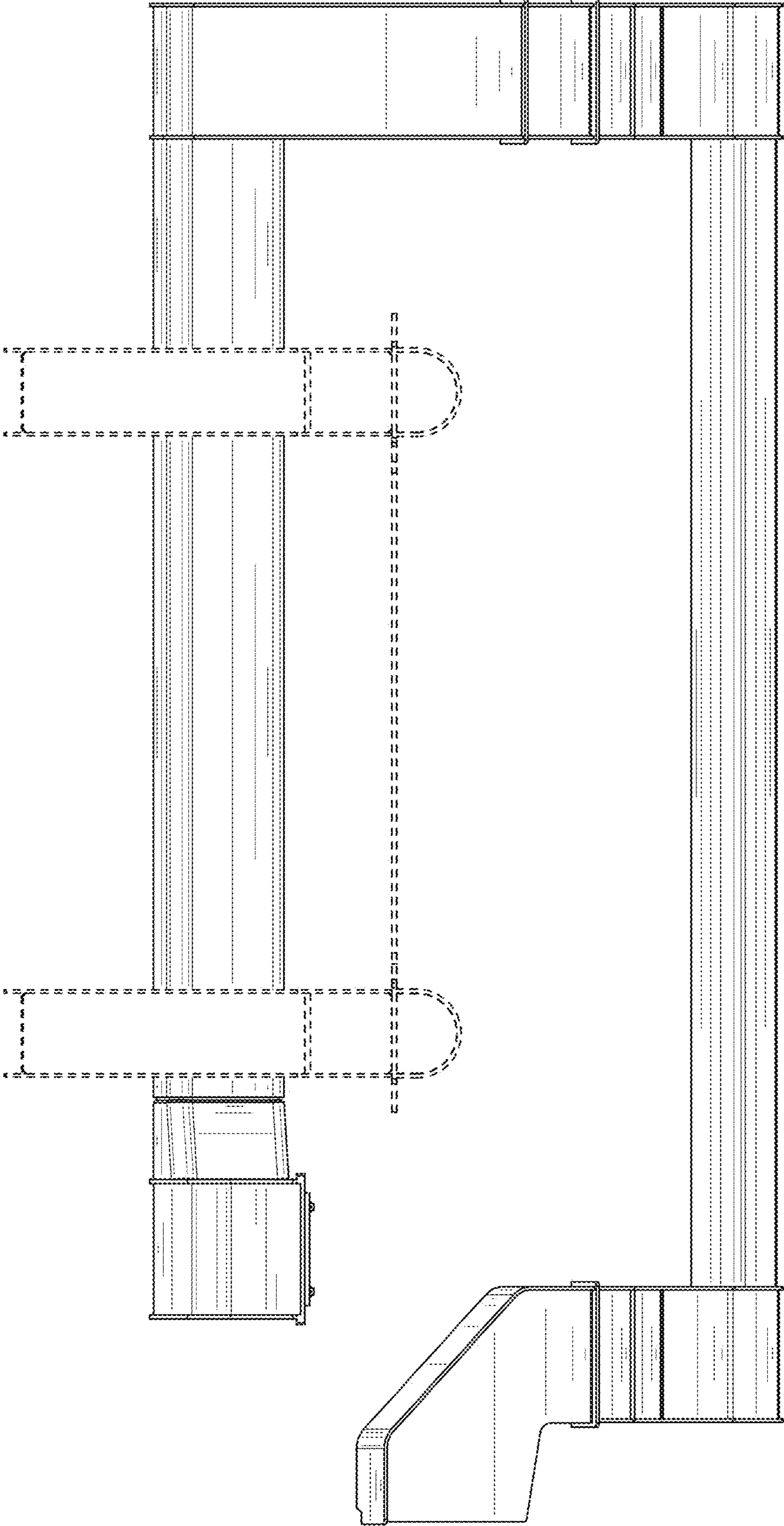


FIG. 3

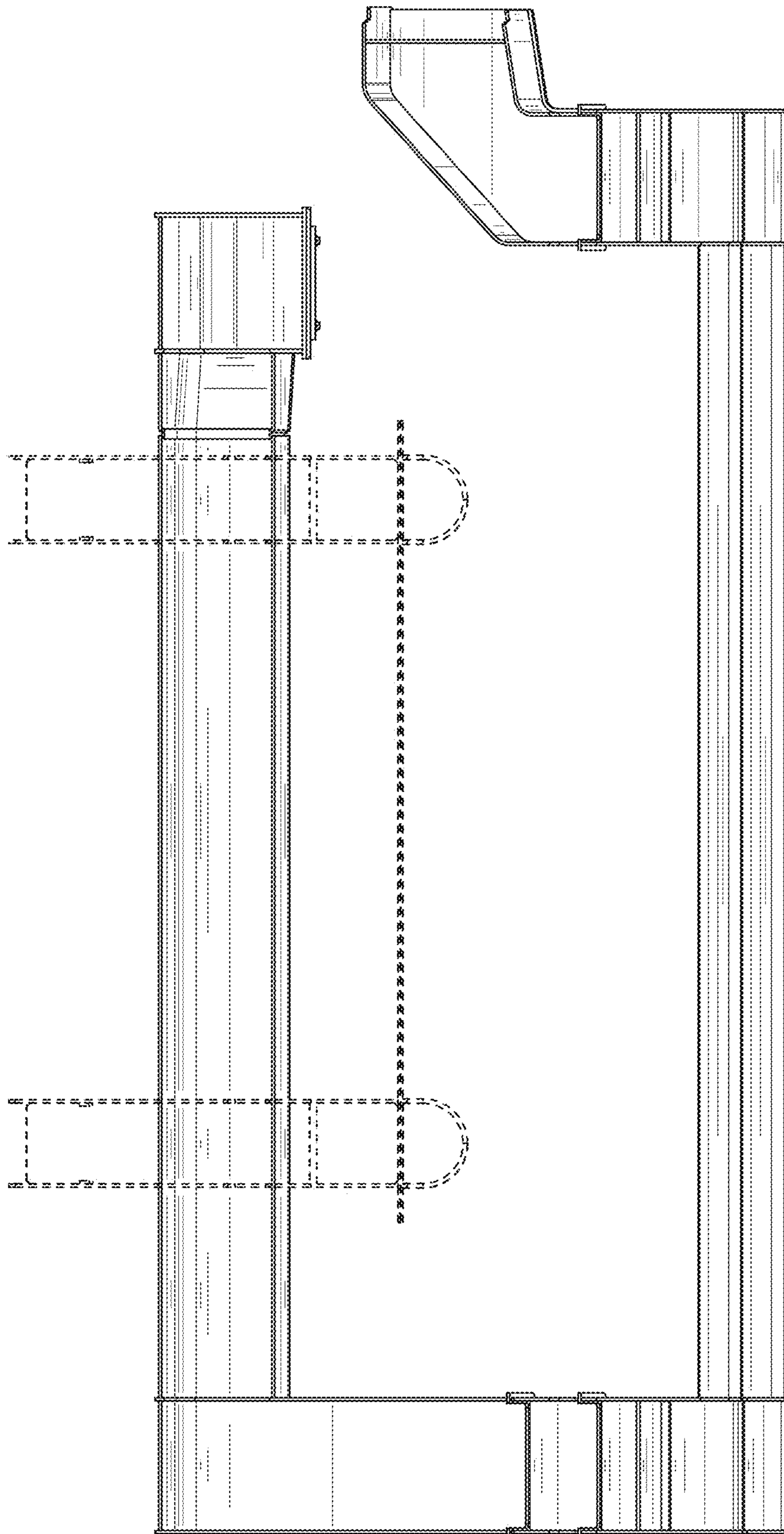


FIG. 4

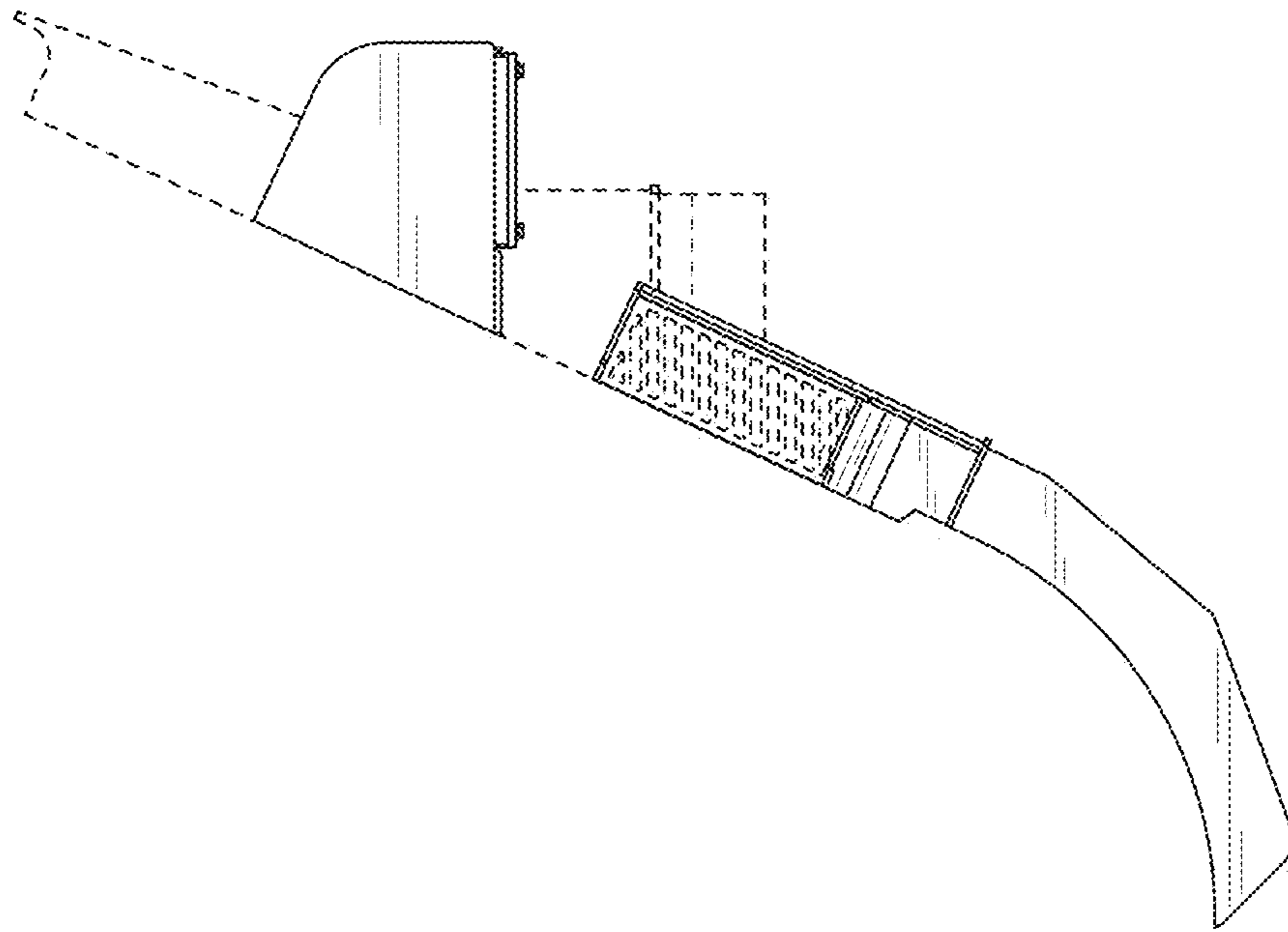


FIG. 5

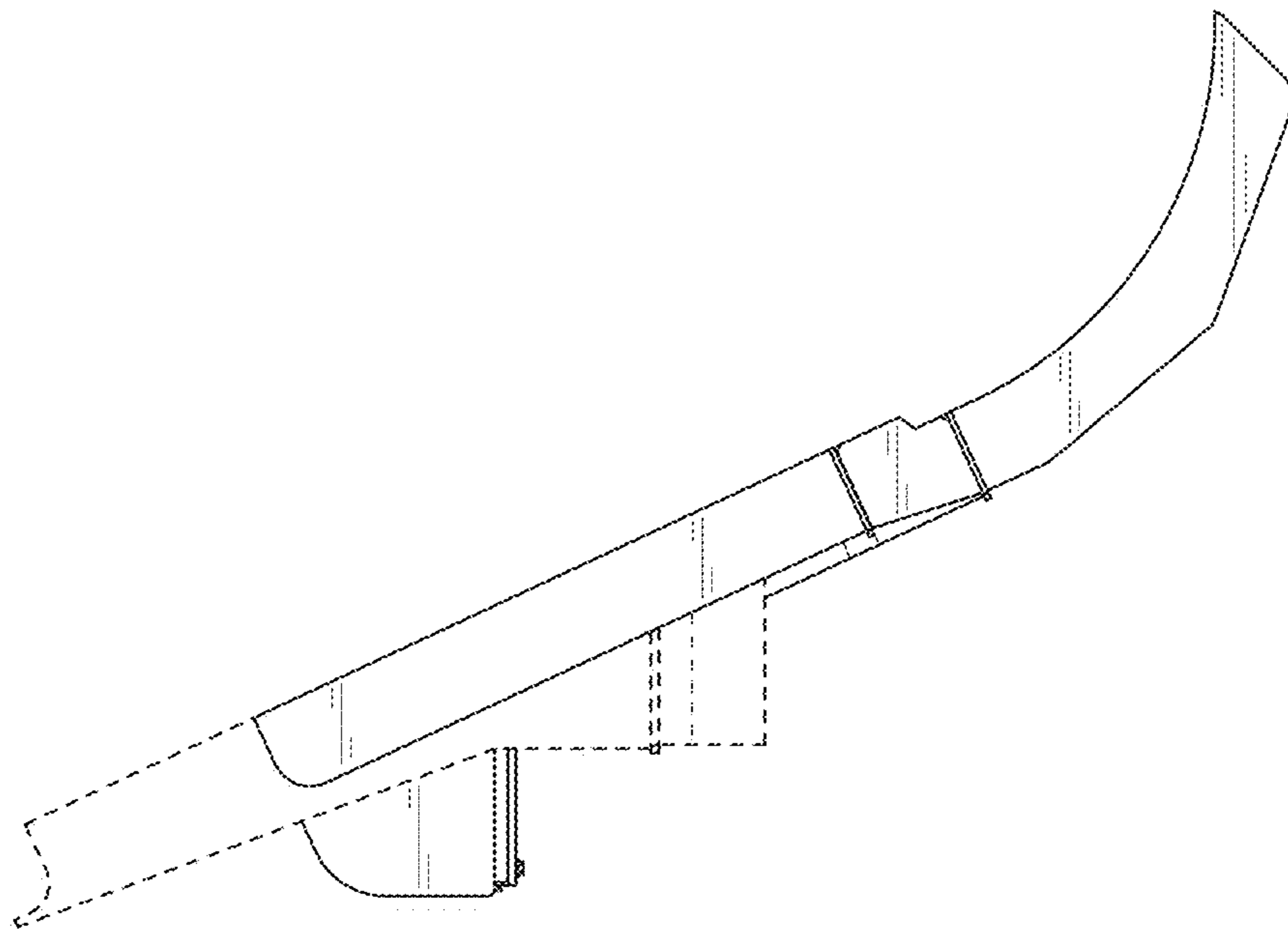


FIG. 6

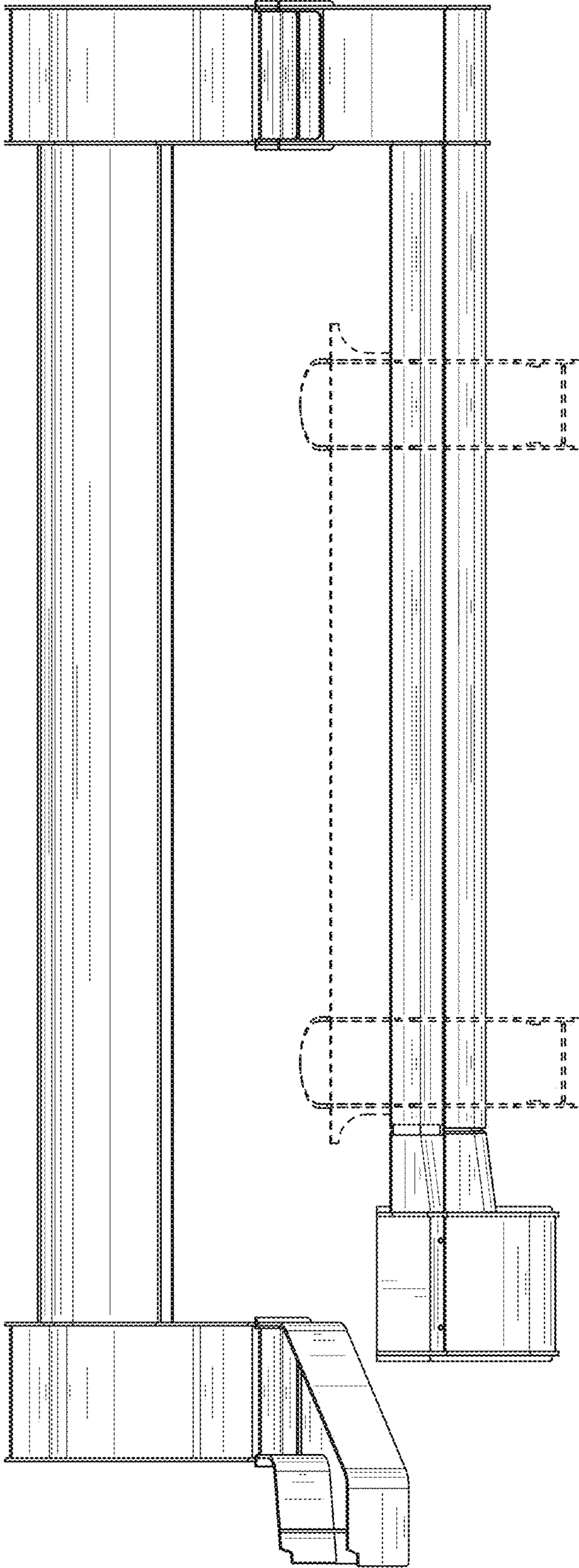


FIG. 7

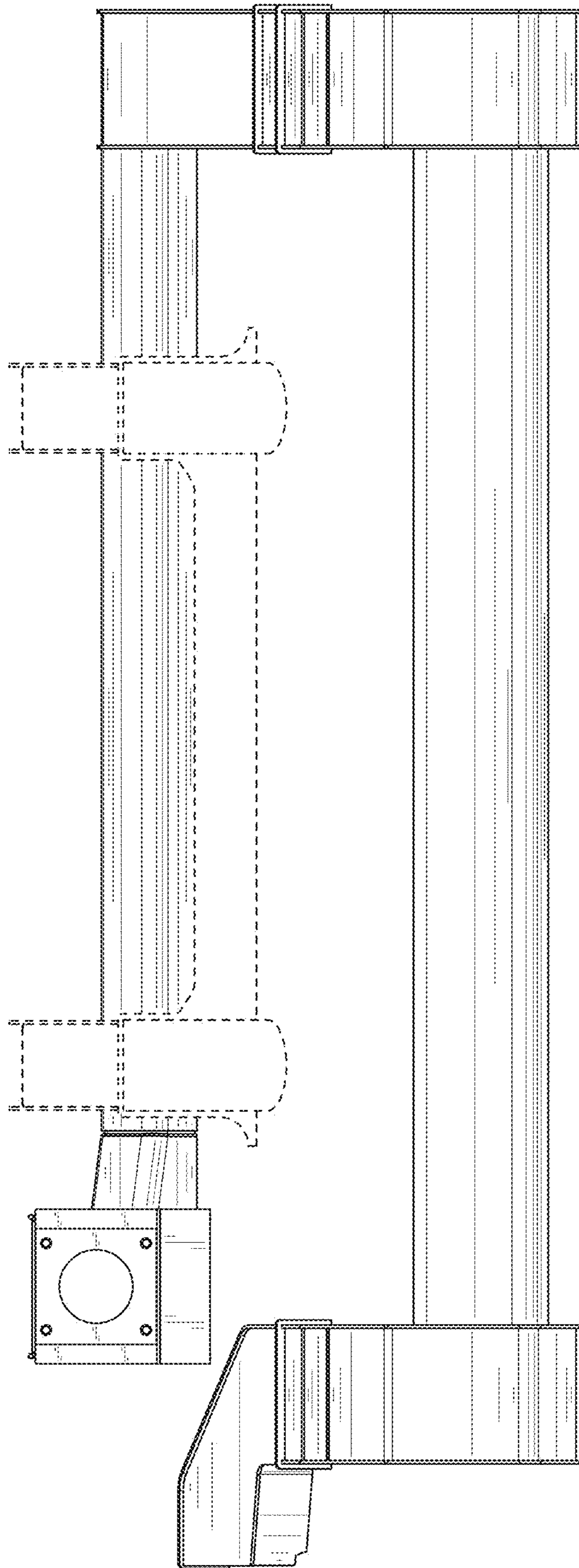


FIG. 8

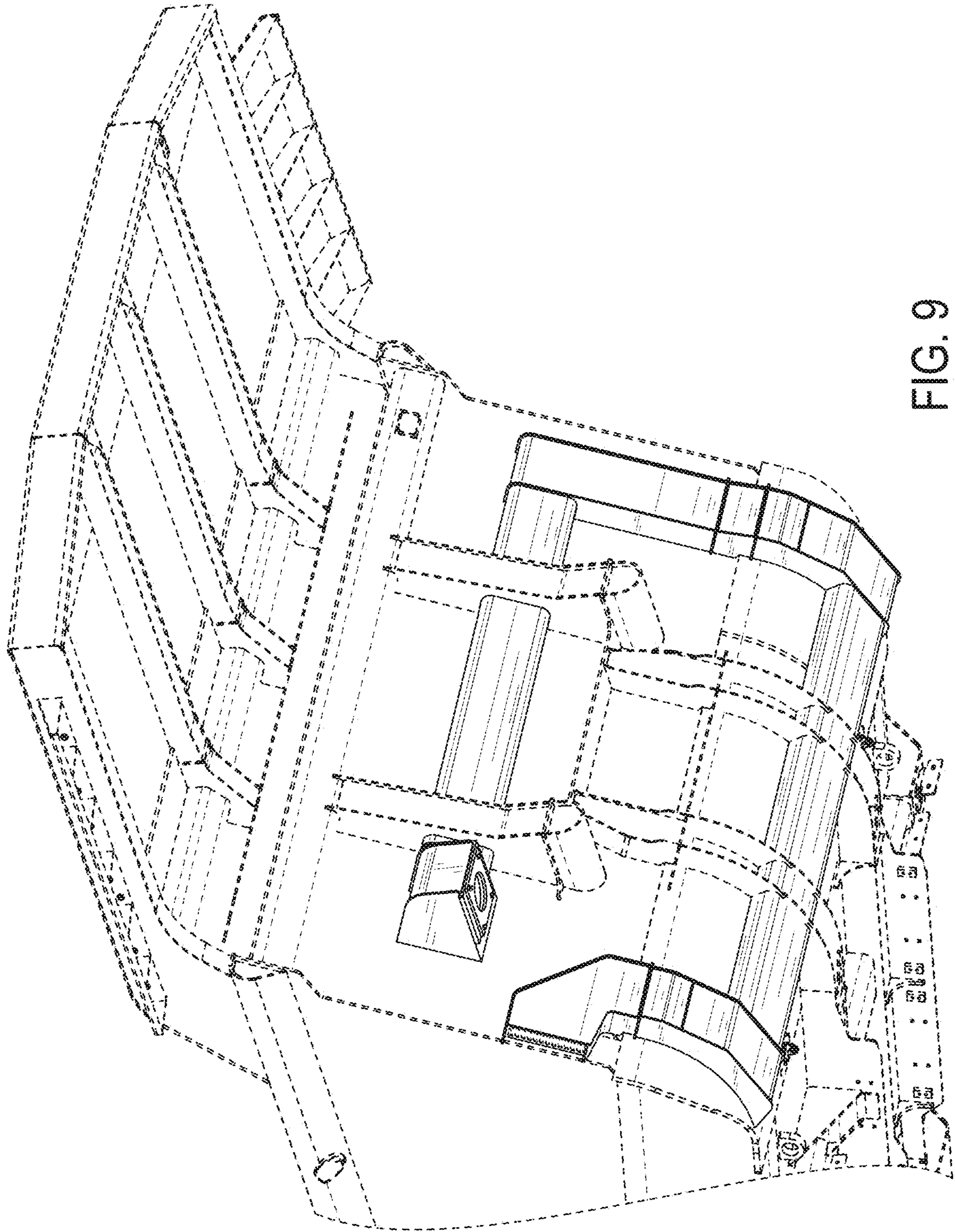


FIG. 9