



US00D975251S

(12) **United States Design Patent** (10) **Patent No.:** **US D975,251 S**
Xu (45) **Date of Patent:** **** Jan. 10, 2023**

(54) **BATH SCREEN WITH THE SUPPORTING BAR**

10,080,465 B2 * 9/2018 Wei A47K 3/34
10,206,542 B2 * 2/2019 Minkovich A47K 3/34
D912,223 S * 3/2021 Cobb D23/283

(71) Applicant: **Hangzhou Royo Import & Export Co., Ltd**, Hangzhou (CN)

* cited by examiner

(72) Inventor: **Swift Xu**, Hangzhou (CN)

Primary Examiner — Robert A Delehanty

(**) Term: **15 Years**

(74) *Attorney, Agent, or Firm* — Prakash Nama; Global IP Services, PLLC

(21) Appl. No.: **29/773,639**

(57) **CLAIM**

The ornamental design for a bath screen with the supporting bar, as shown and described.

(22) Filed: **Mar. 10, 2021**

DESCRIPTION

(51) **LOC (14) Cl.** **23-02**

(52) **U.S. Cl.**
USPC **D23/305**

(58) **Field of Classification Search**
USPC D56/274, 283, 303–305; D8/315;
D25/48.3

See application file for complete search history.

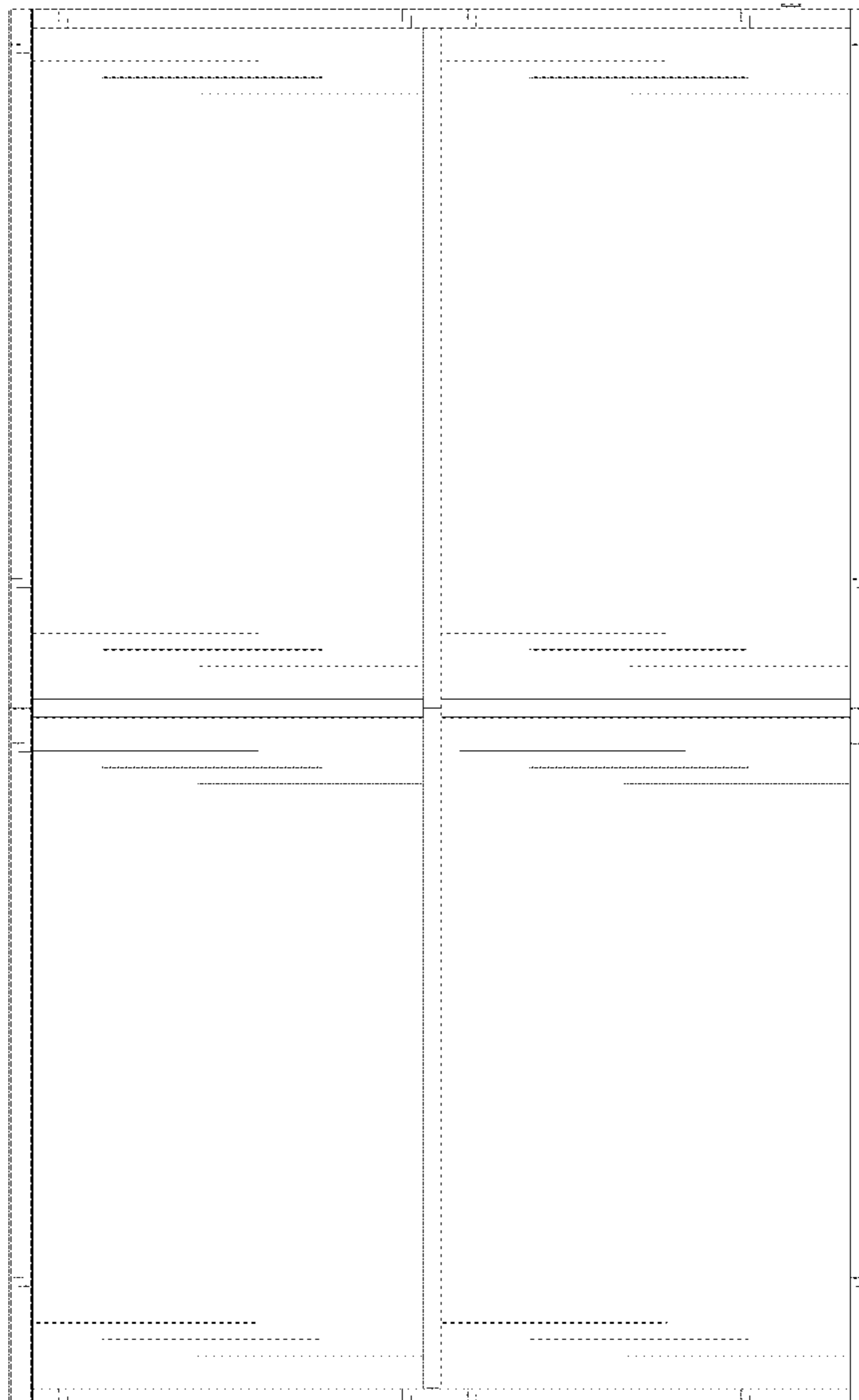
FIG. 1 is a front elevational view of a bath screen with the supporting bar showing my new design;
FIG. 2 is a rear elevational view thereof;
FIG. 3 is a left side view thereof;
FIG. 4 is a right side view thereof;
FIG. 5 is a perspective view thereof;
FIG. 6 is a second perspective view thereof;
FIG. 7 is a third perspective view thereof;
FIG. 8 is an enlarged view of portion 8 shown in FIG. 6; and,
FIG. 9 is an enlarged view of portion 9 shown in FIG. 6.
The dash-dot lines in the drawings do not form part of the claimed design.

(56) **References Cited**

U.S. PATENT DOCUMENTS

4,375,736 A * 3/1983 Teckchandani A47K 3/36
D25/48.3
D792,566 S * 7/2017 Wei D23/305

1 Claim, 8 Drawing Sheets



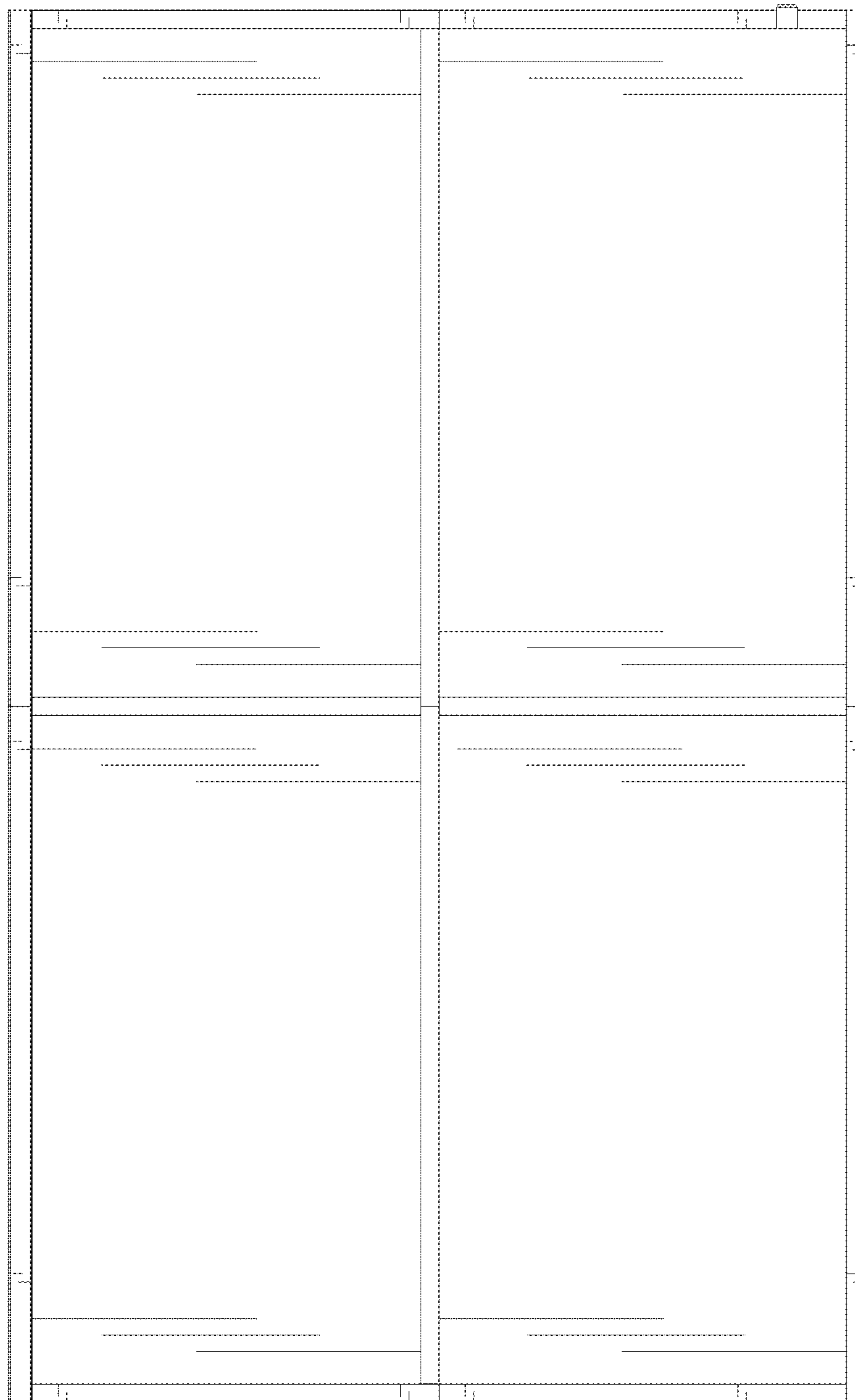


FIG. 1

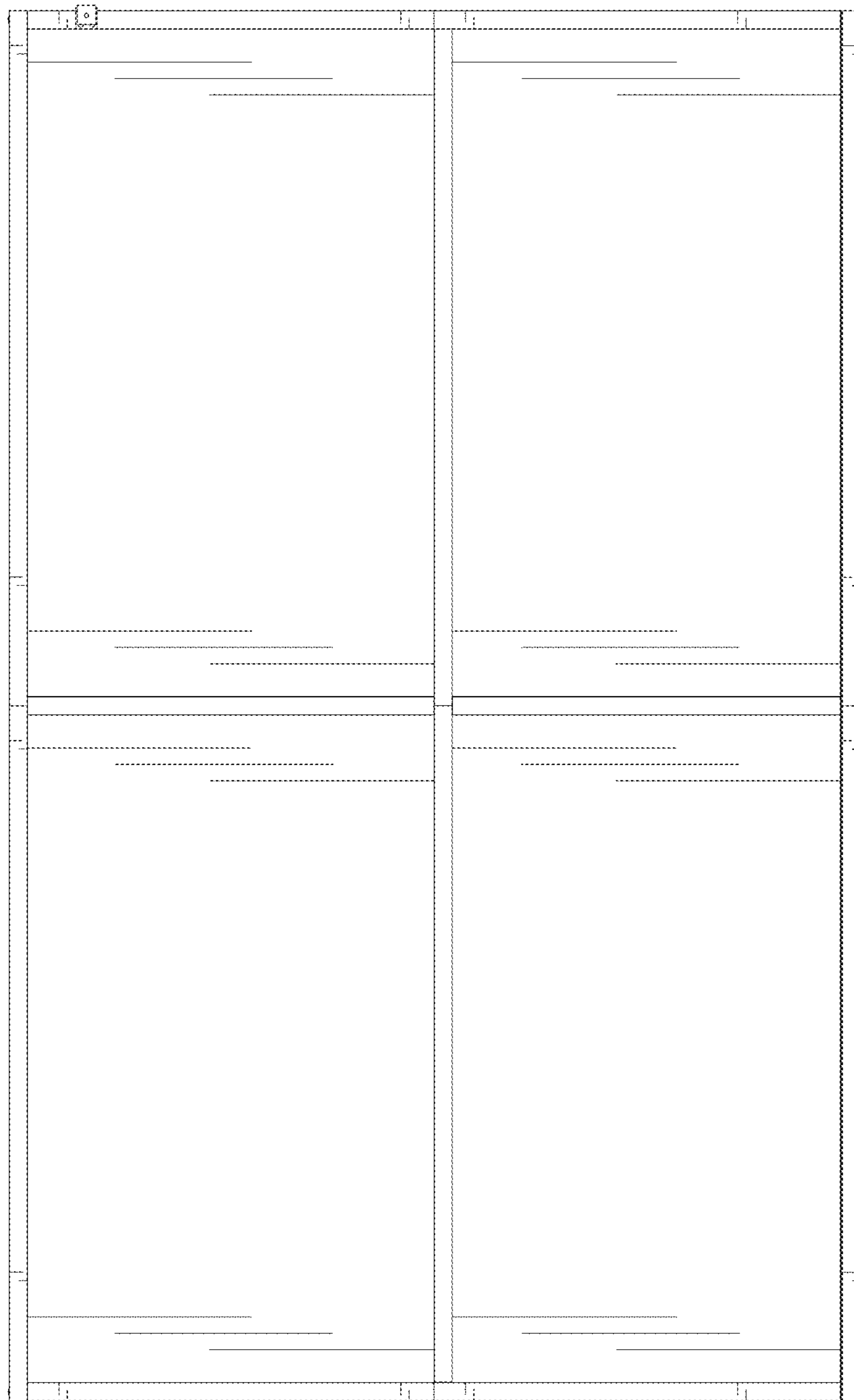


FIG. 2

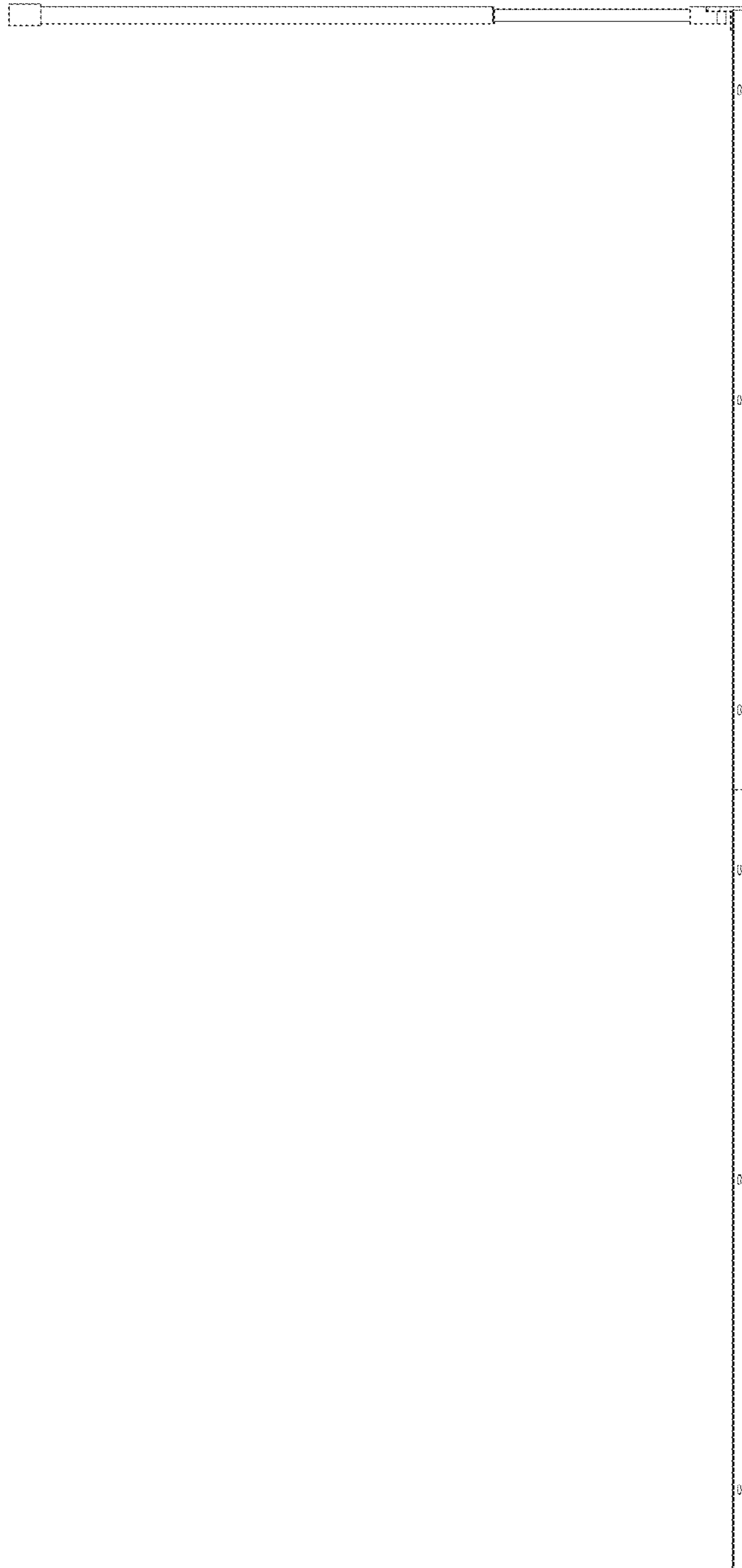


FIG. 3

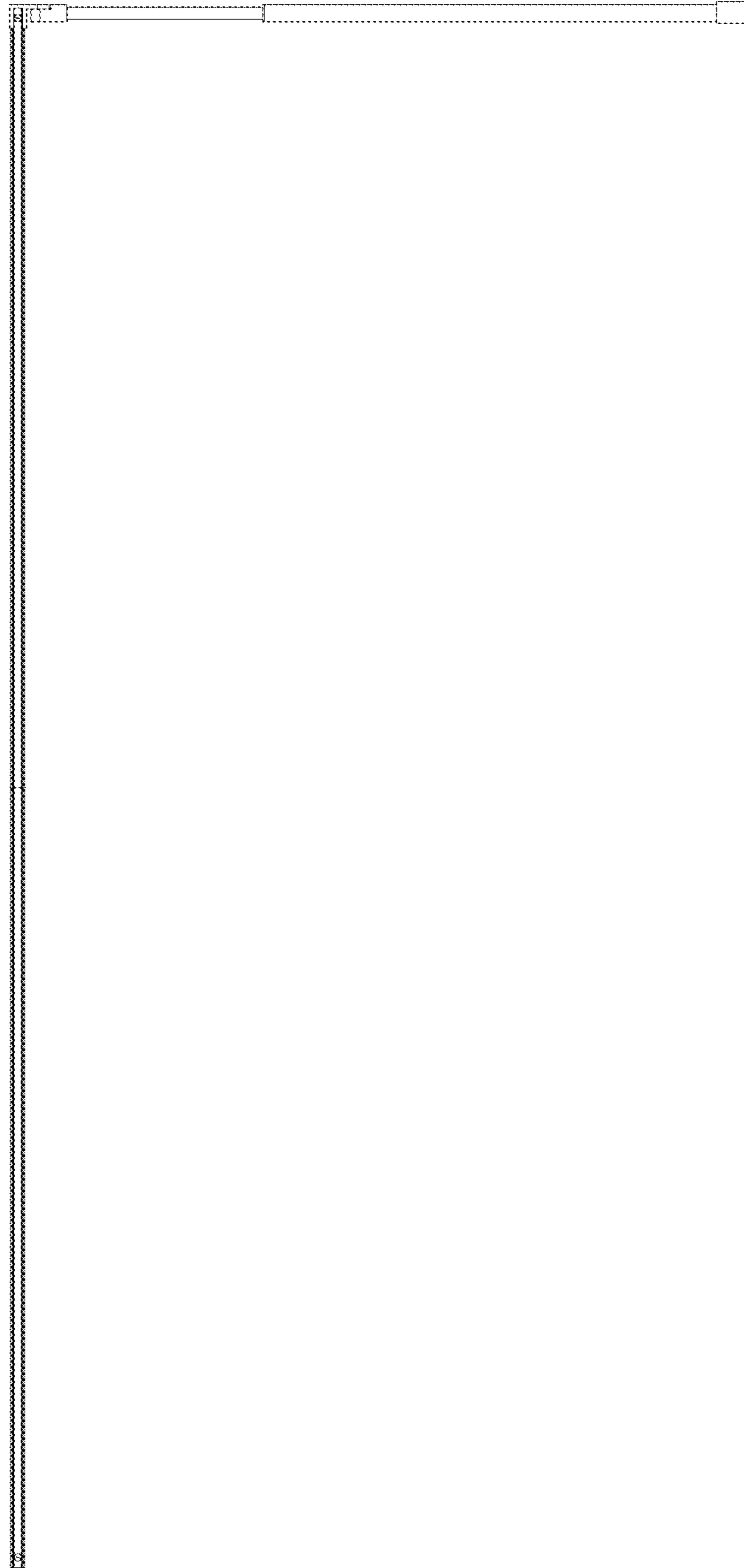


FIG. 4



FIG. 5

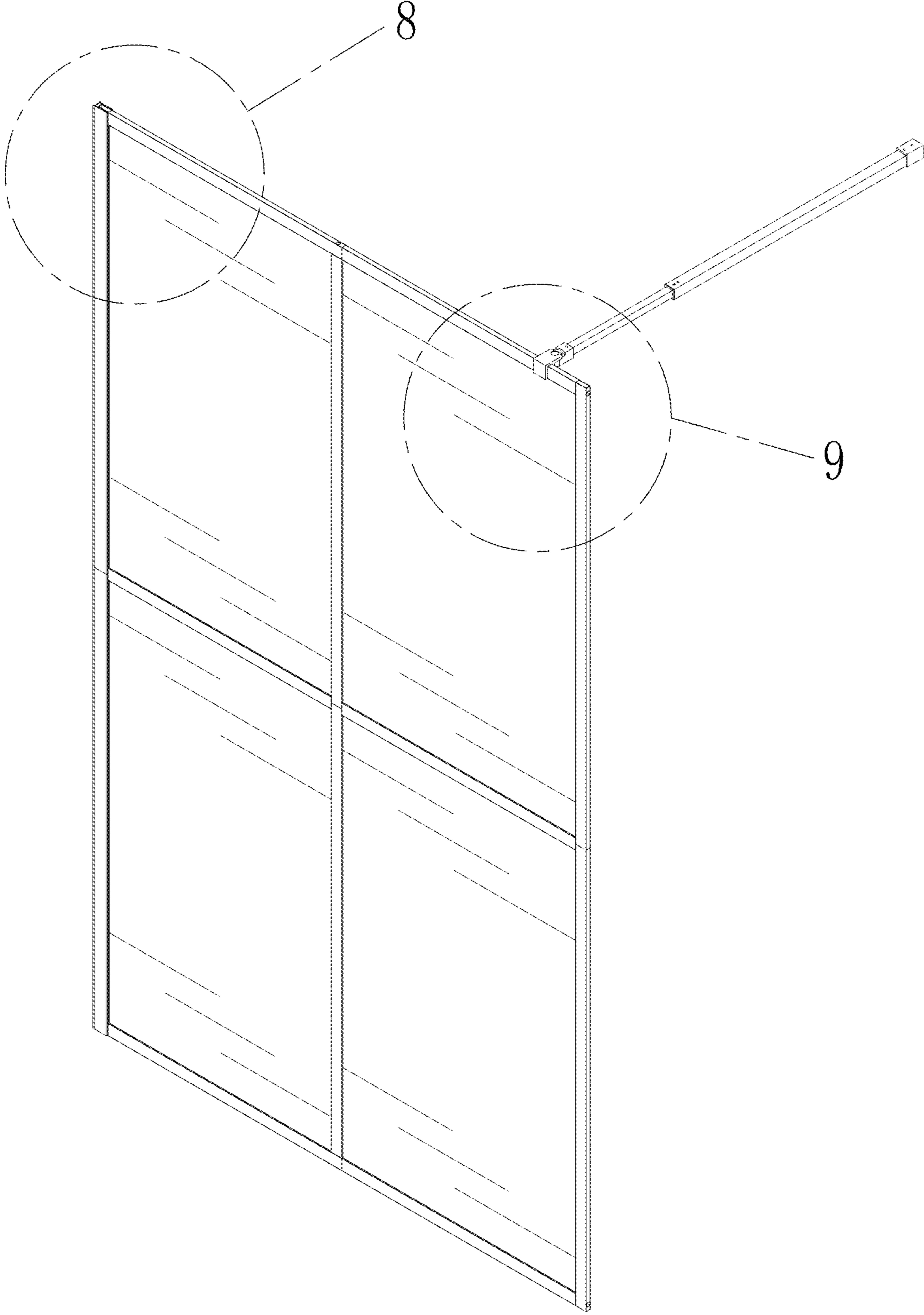


FIG. 6

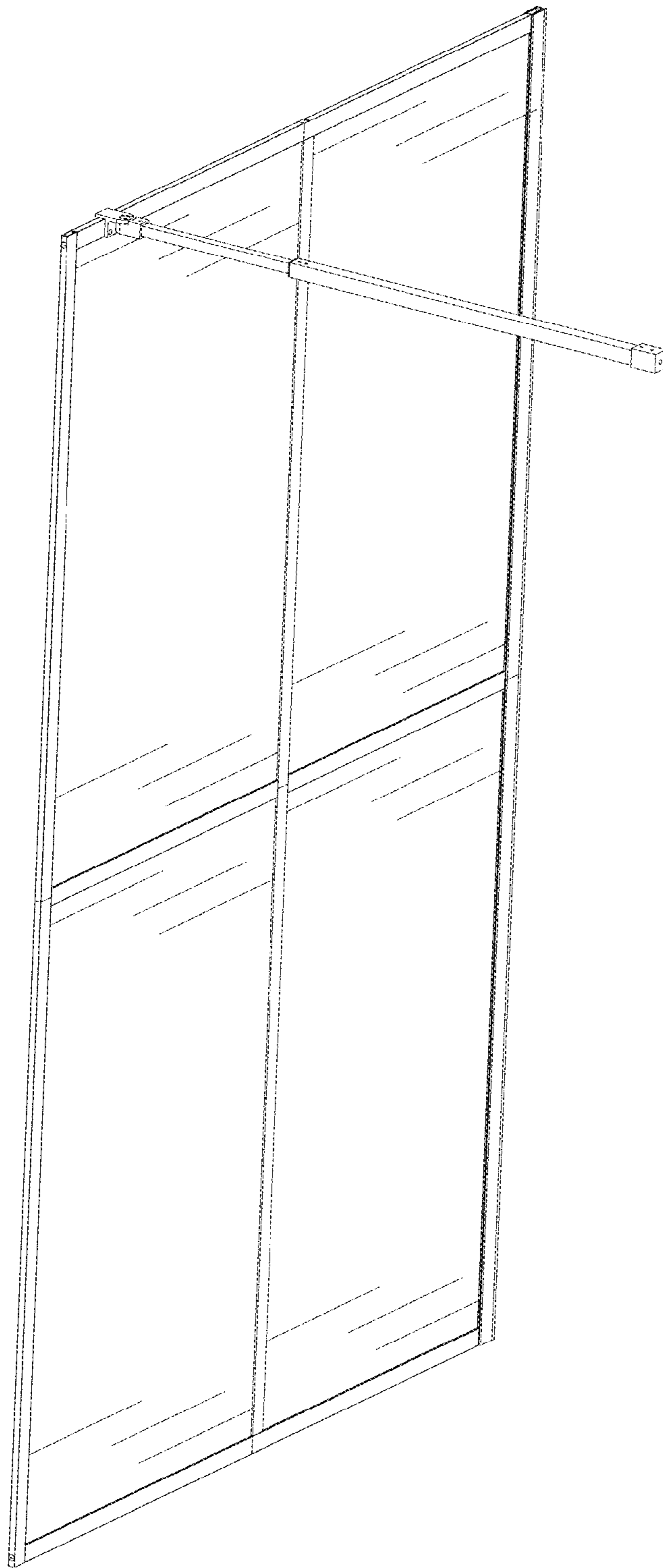


FIG. 7

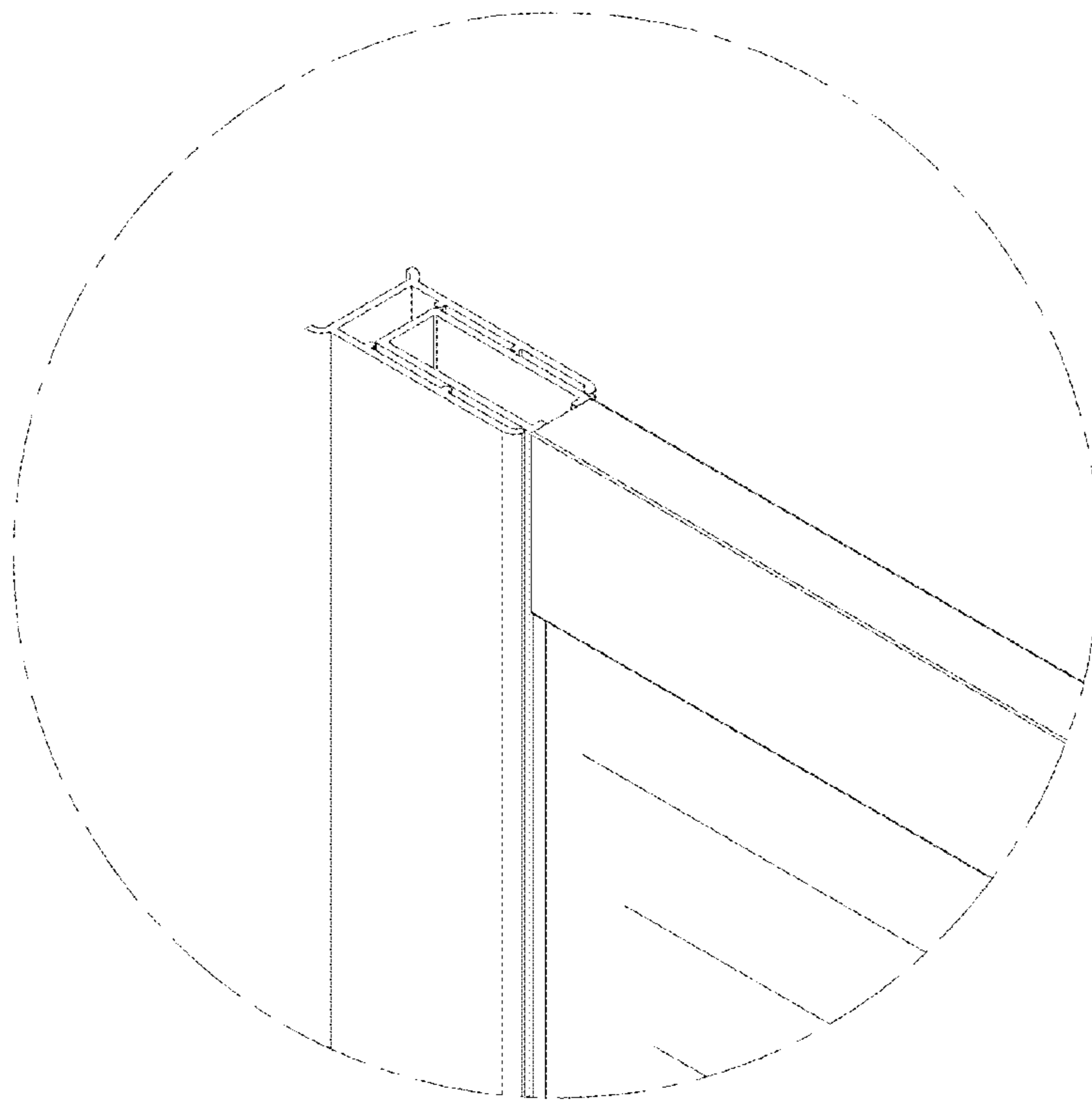


FIG. 8

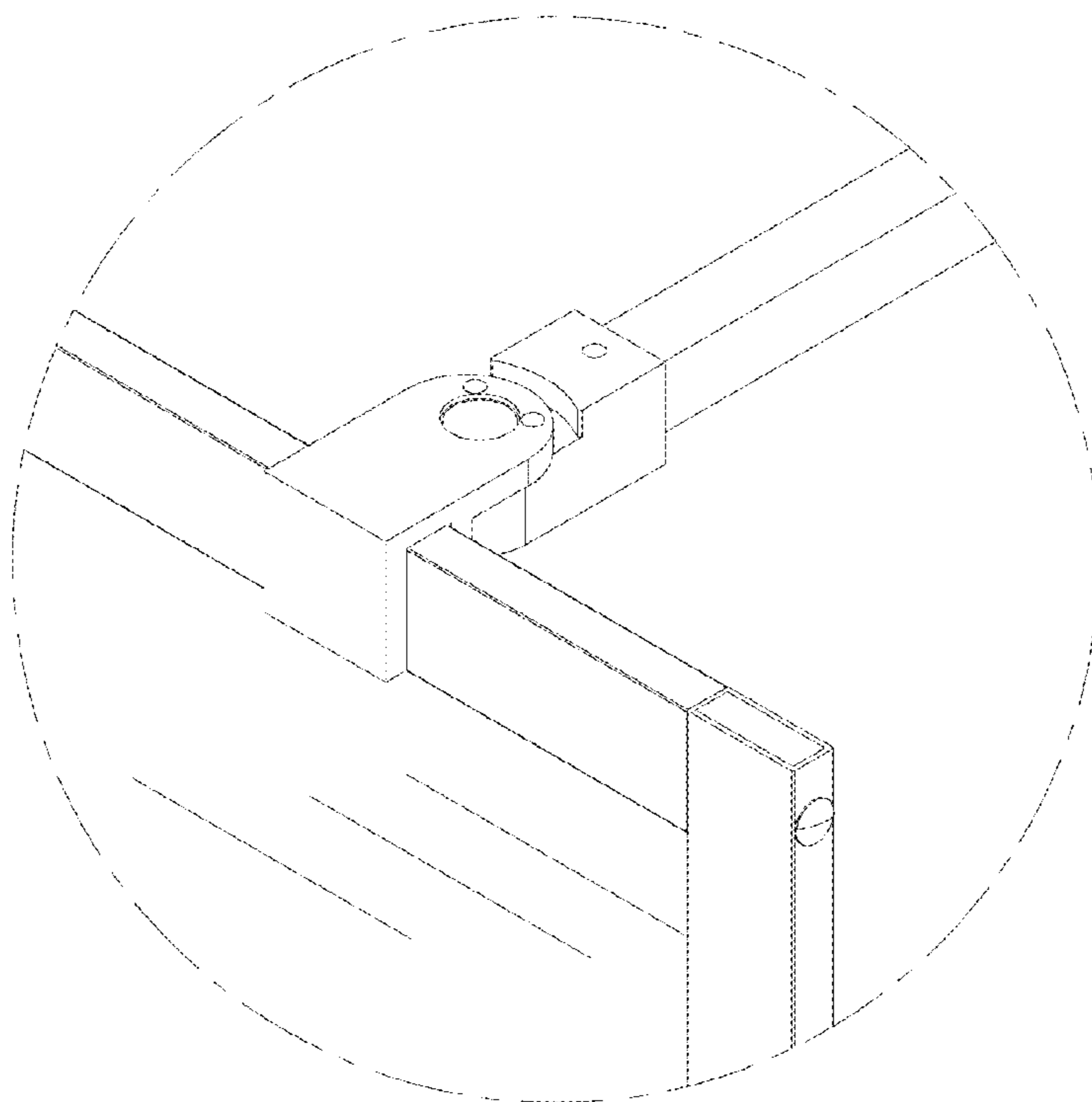


FIG. 9