



US00D975250S

(12) **United States Design Patent**
Jiang

(10) **Patent No.:** **US D975,250 S**

(45) **Date of Patent:** **** Jan. 10, 2023**

(54) **TOILET**

(71) Applicant: **Ying Jiang**, Chongqing (CN)

(72) Inventor: **Ying Jiang**, Chongqing (CN)

(**) Term: **15 Years**

(21) Appl. No.: **29/763,815**

(22) Filed: **Dec. 24, 2020**

(51) **LOC (14) Cl.** **23-07**

(52) **U.S. Cl.**
USPC **D23/299**

(58) **Field of Classification Search**
USPC D23/299
CPC A47K 13/06; A47K 13/10
See application file for complete search history.

(56) **References Cited**

U.S. PATENT DOCUMENTS

D750,762 S *	3/2016	Eads	D23/301
D892,284 S *	8/2020	Healy	D23/296
D903,841 S *	12/2020	Bucher	D23/301
D912,787 S *	3/2021	McKeone	D23/301
D924,379 S *	7/2021	Garrels	D23/301
D937,997 S *	12/2021	Bucher	D23/301
D949,298 S *	4/2022	Ravassa	D23/301
11,330,942 B1 *	5/2022	Bergman	A47K 11/04
2013/0205484 A1 *	8/2013	Taciuc	A47K 13/307 4/209 R

FOREIGN PATENT DOCUMENTS

CN	305093904	*	4/2019
CN	305593206	*	2/2020
CN	306143387	*	10/2020

OTHER PUBLICATIONS

Summer Infant My Size Potty, announced Apr. 30, 2015[online], [site visited Sep. 23, 2022]. Available from internet, URL:<<https://www.amazon.ca/dp/B0154FF80S>> (Year: 2015).*

Real Feel Potty, announced Aug. 21, 2020[online], [site visited Sep. 22, 2022]. Available from internet, URL:<<https://www.amazon.com/Real-Feel-Potty-Chair-Independent/dp/B08JNRMZZH>> (Year: 2020).*

* cited by examiner

Primary Examiner — David G Muller

Assistant Examiner — Jamaal Rasheed

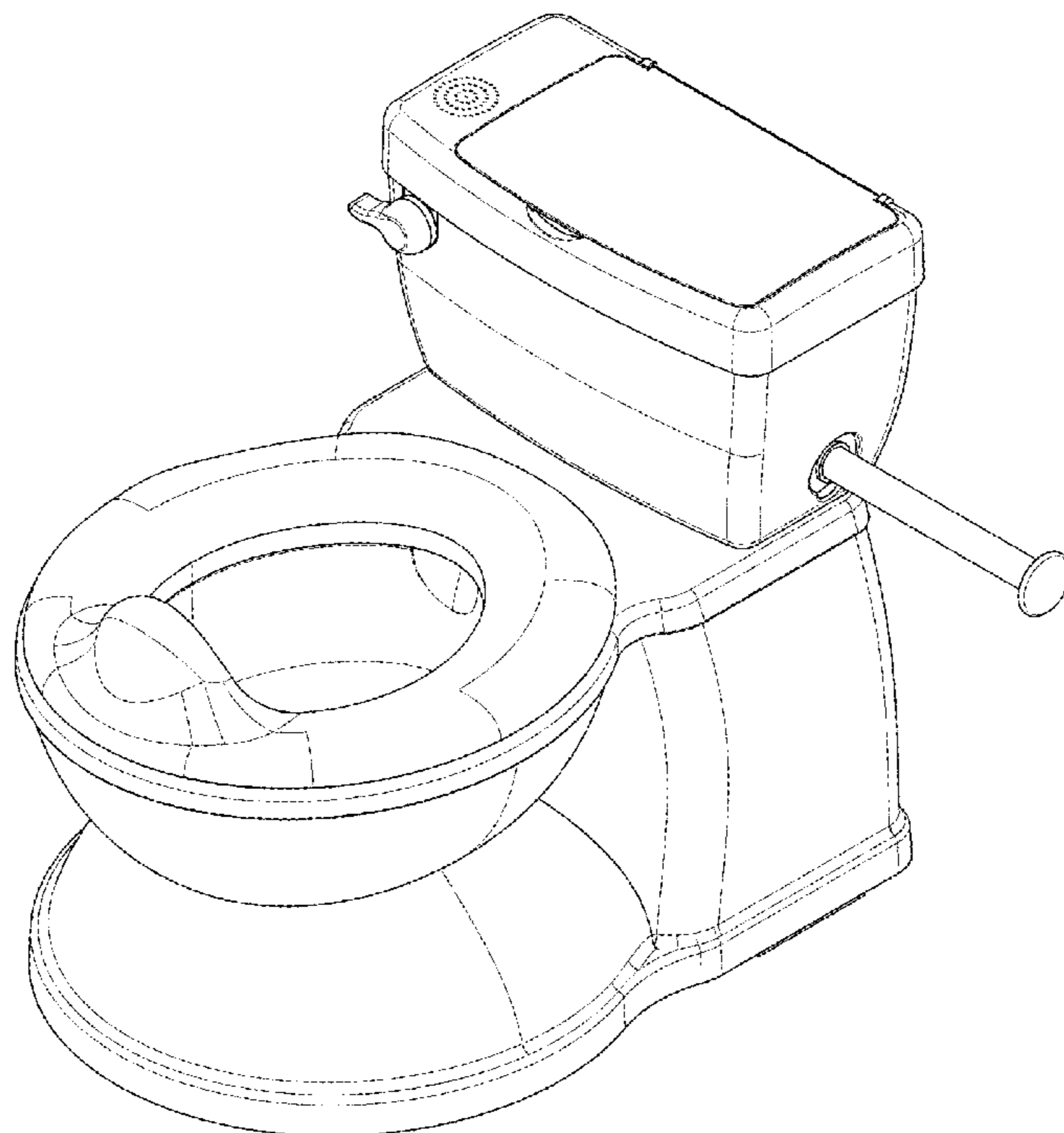
(57) **CLAIM**

The ornamental design for a toilet, as shown and described.

DESCRIPTION

FIG. 1 is a perspective view of a toilet, showing my new design;
FIG. 2 is a front elevational view thereof;
FIG. 3 is a rear elevational view thereof;
FIG. 4 is a left side elevational view thereof;
FIG. 5 is a right side elevational view thereof;
FIG. 6 is a top plan view thereof;
FIG. 7 is a bottom plan view thereof; and,
FIG. 8 is another perspective view showing the toilet.
The broken lines depict portions of the toilet that form no part of the claimed design.

1 Claim, 8 Drawing Sheets



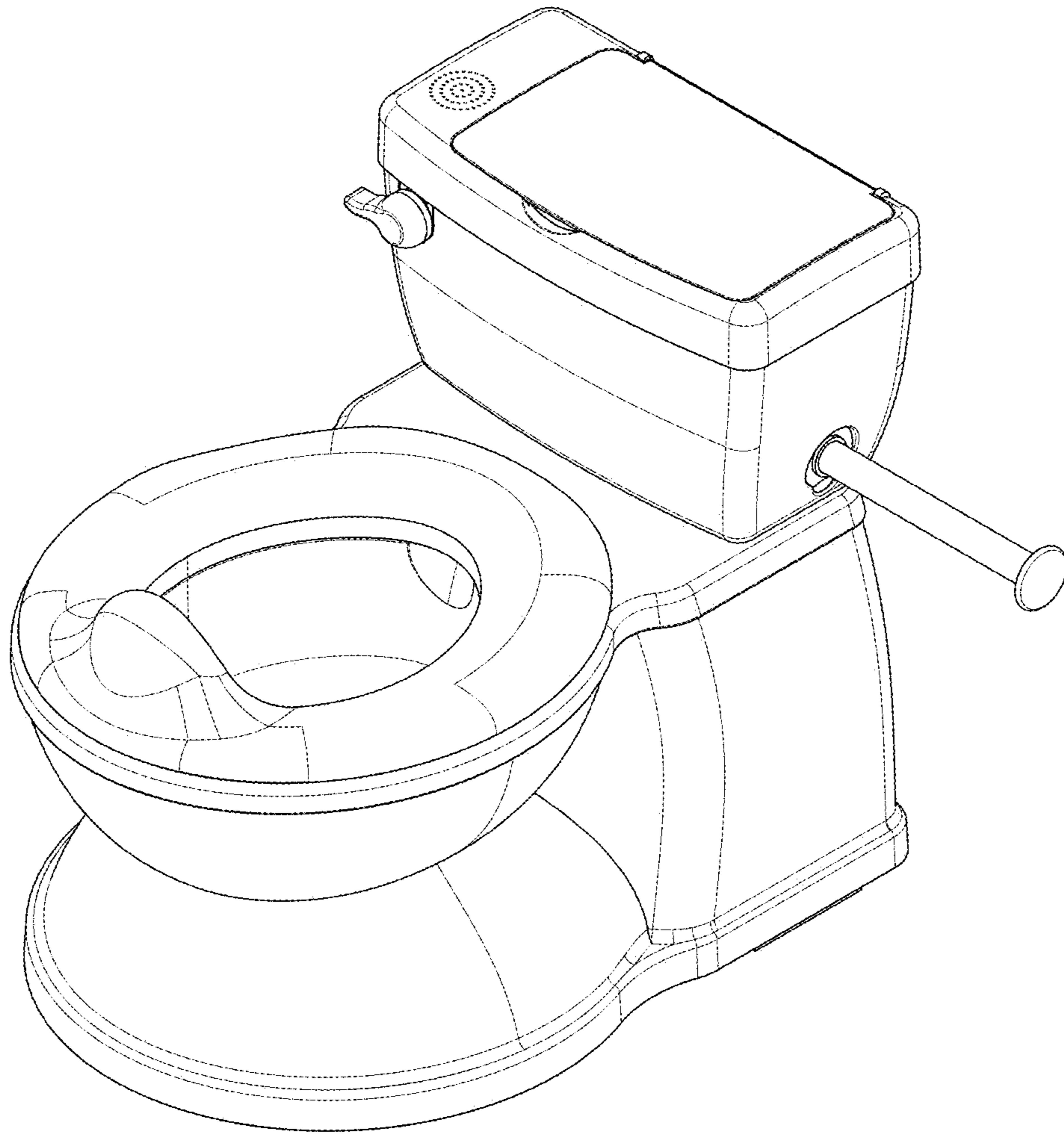


FIG.1

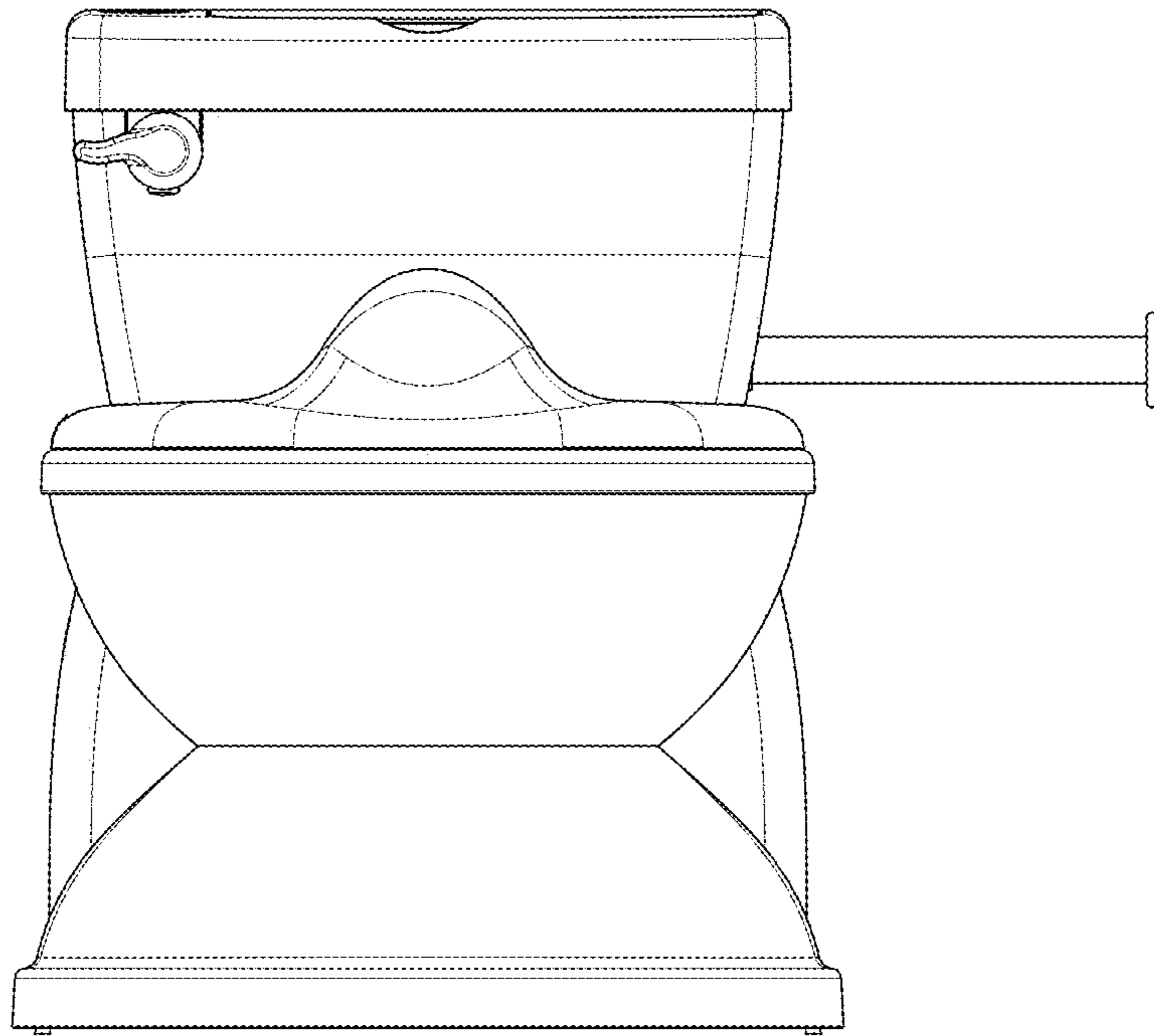


FIG.2

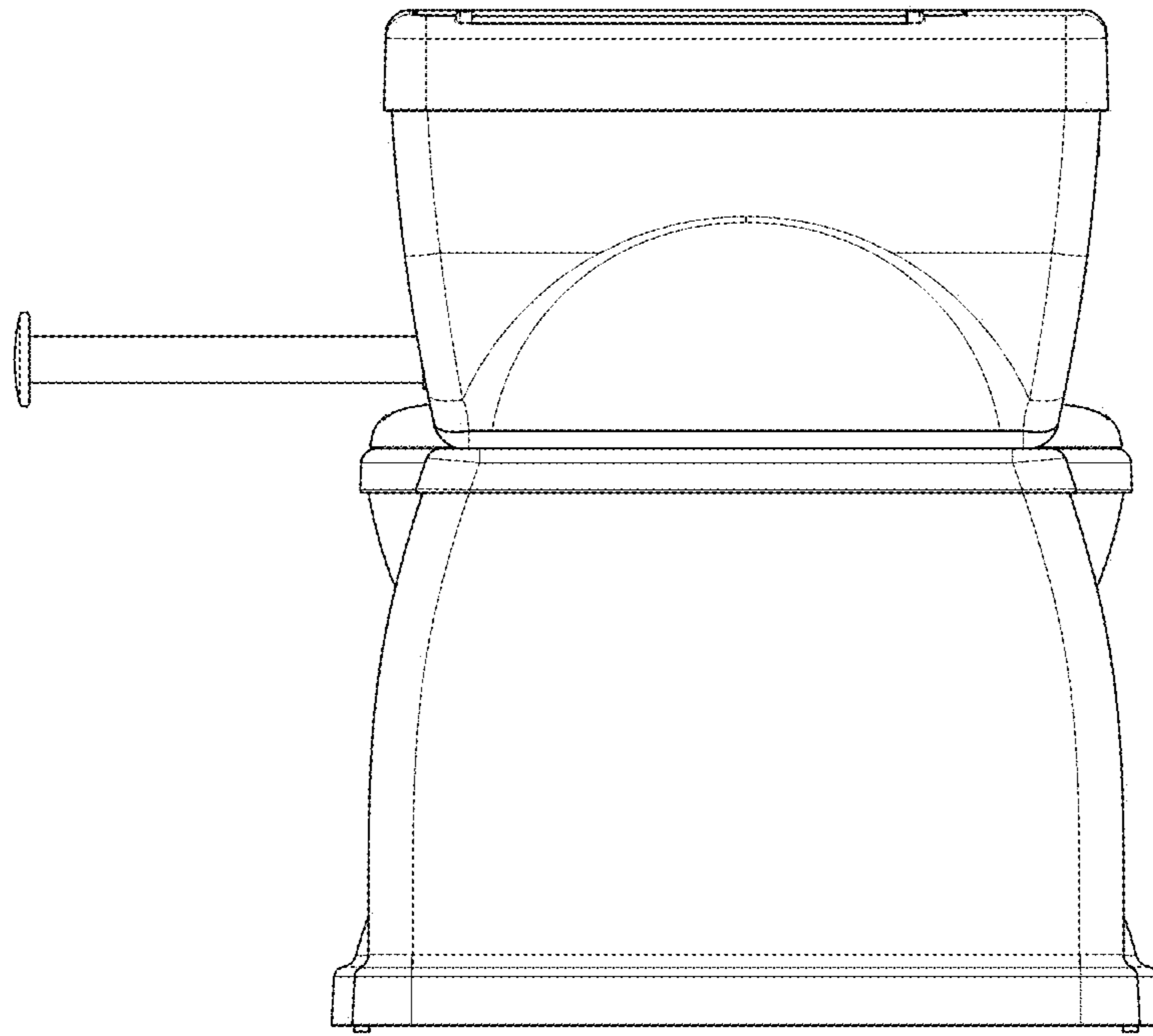


FIG.3

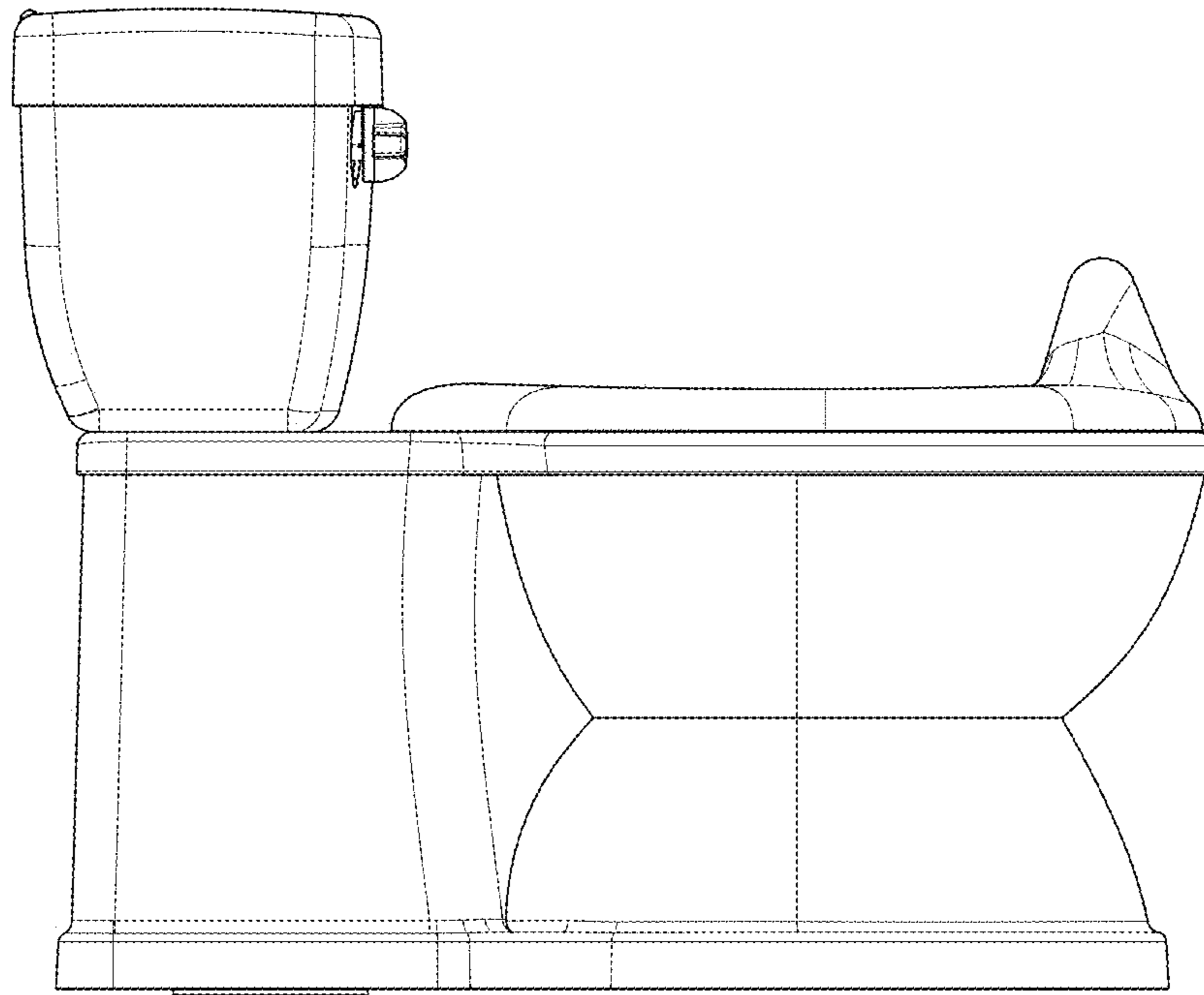


FIG.4

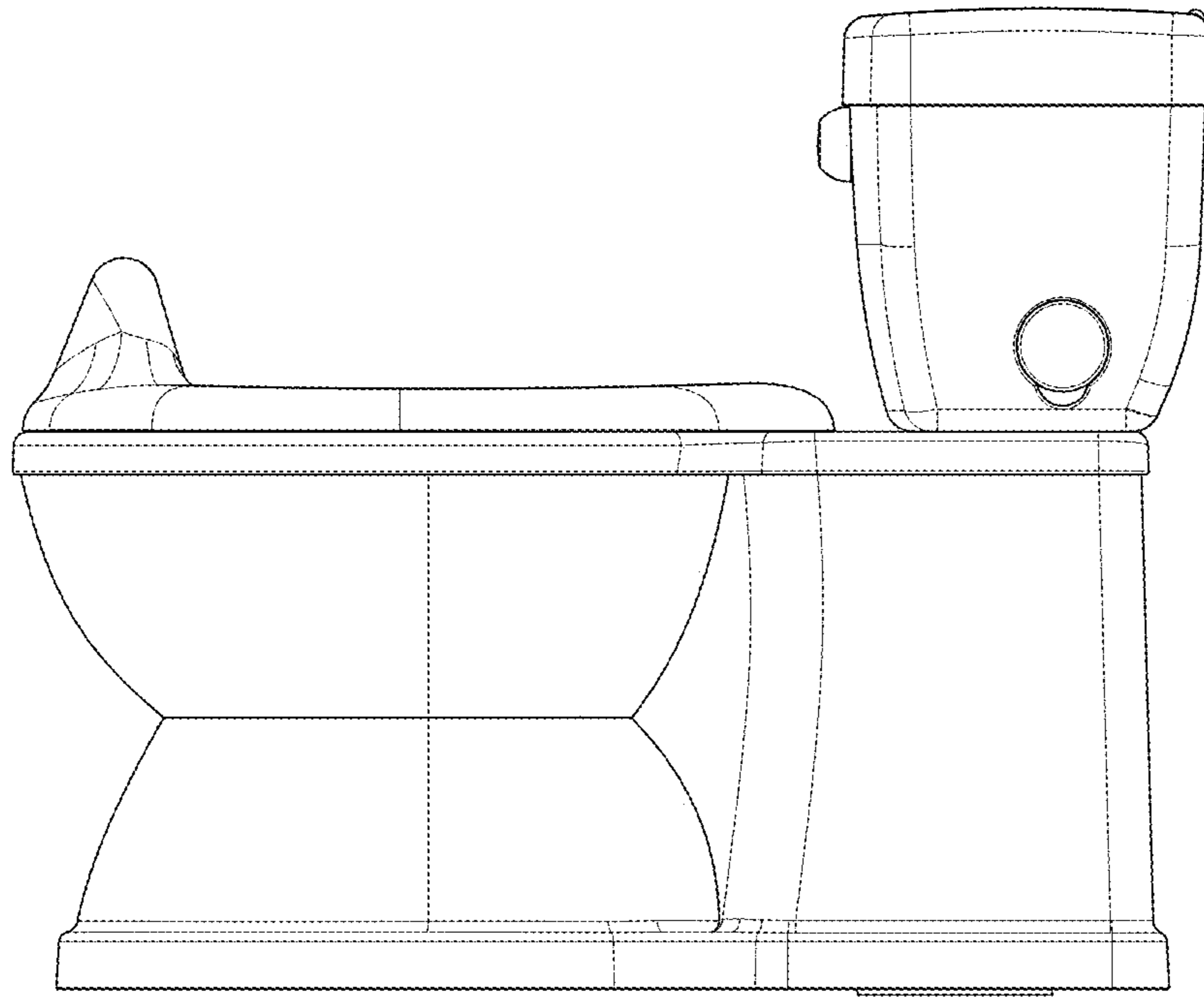


FIG. 5

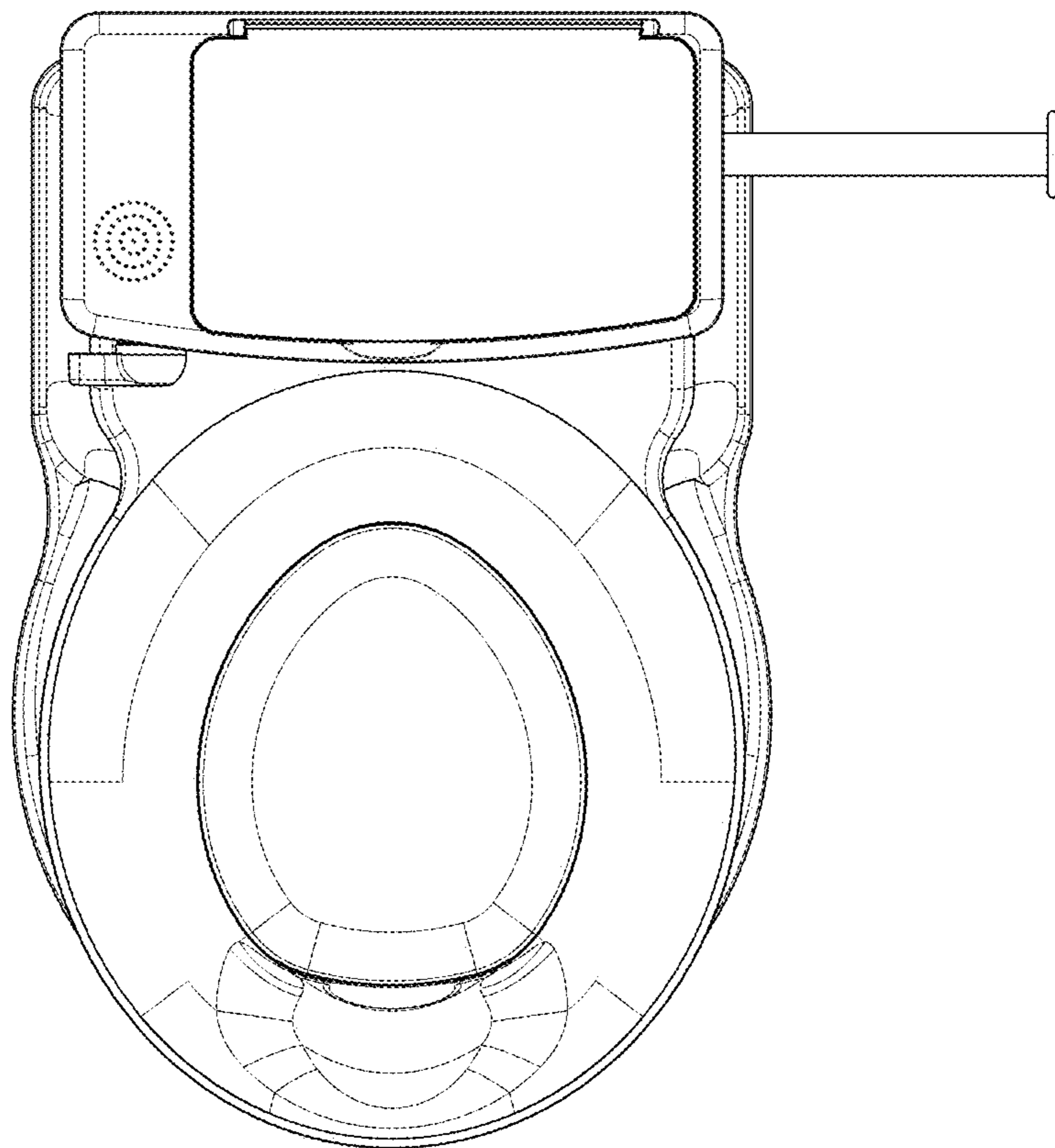


FIG.6

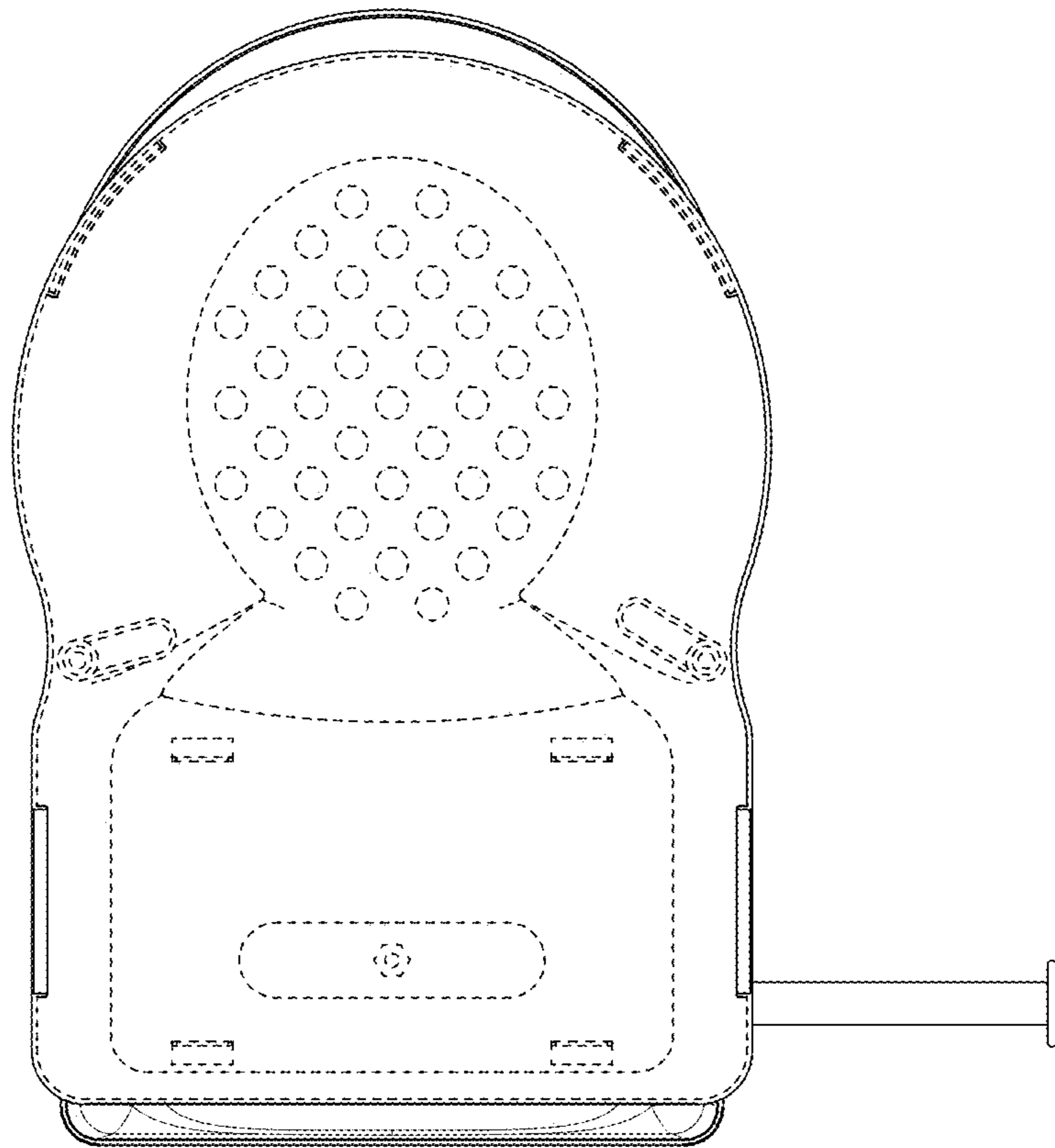


FIG.7

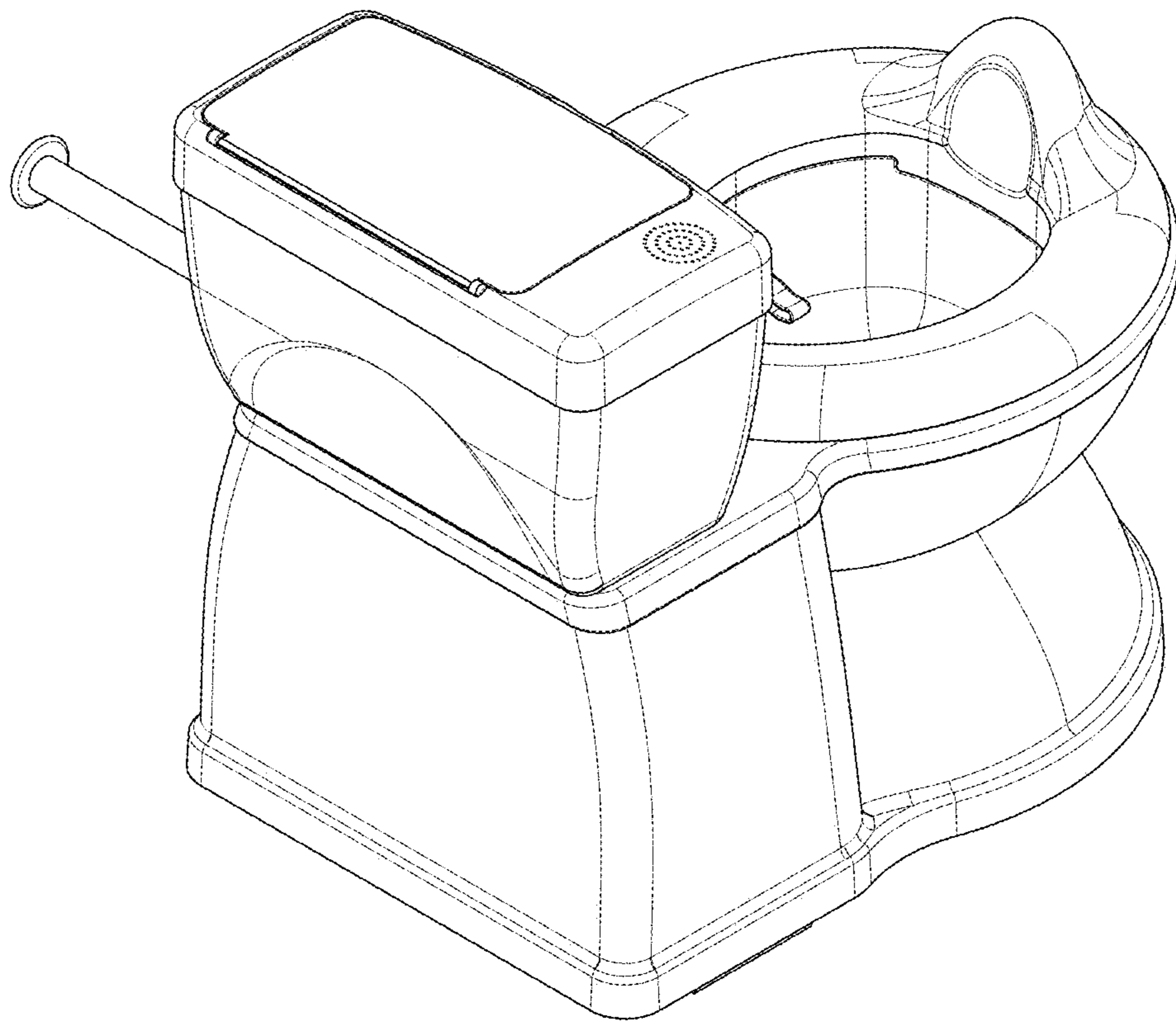


FIG.8